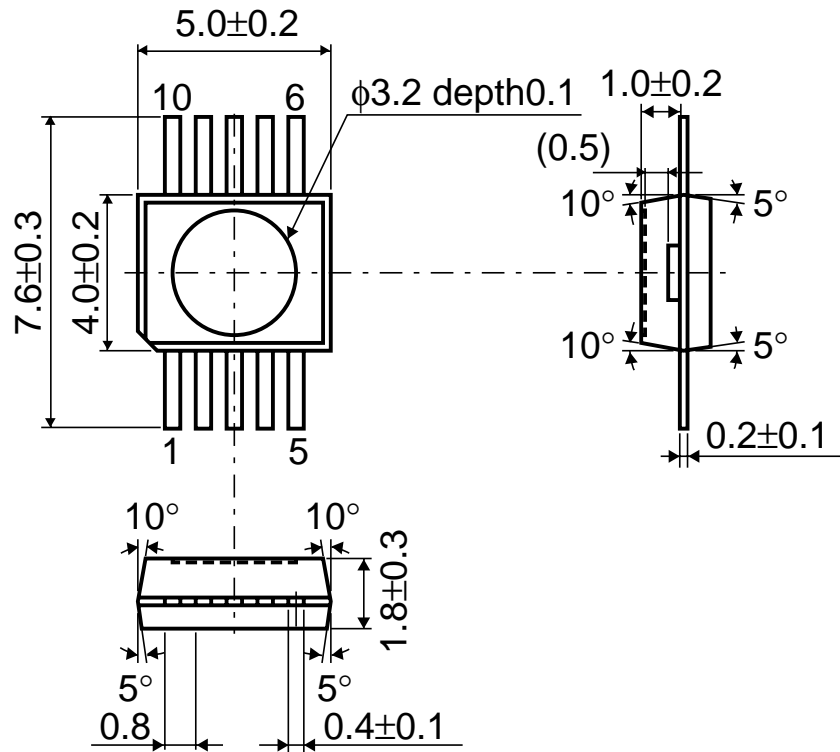


(Units : mm)

# • WSOP-10



\* The contents described herein are subject to change without notice.