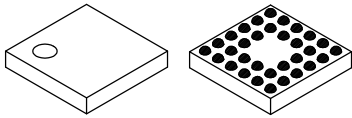


MECHANICAL CASE OUTLINE

PACKAGE DIMENSIONS

WLCSP32 2.47x2.47 / WLP32J
CASE 567FU
ISSUE O

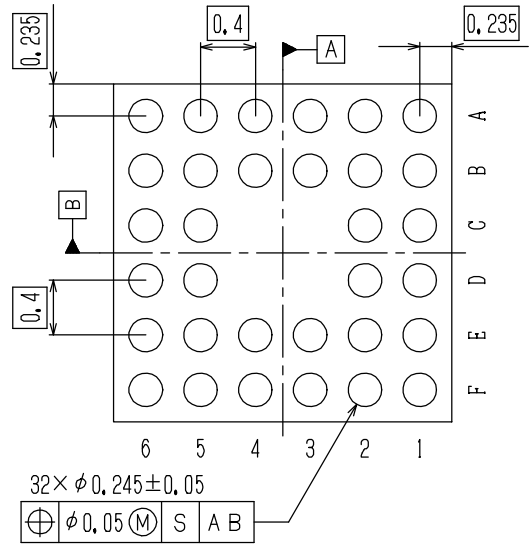
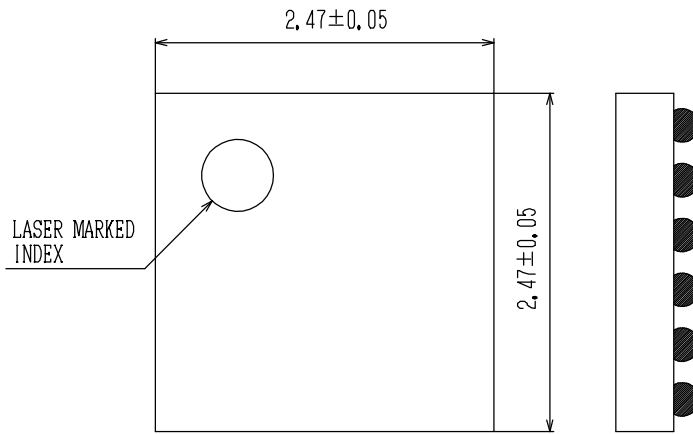
DATE 31 MAY 2012



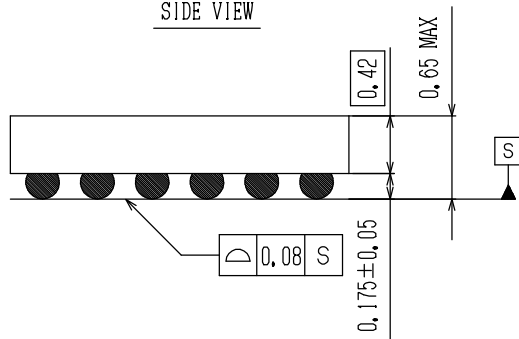
TOP VIEW

SIDE VIEW

BOTTOM VIEW



SIDE VIEW



DOCUMENT NUMBER:	98AON80986E	Electronic versions are uncontrolled except when accessed directly from the Document Repository. Printed versions are uncontrolled except when stamped "CONTROLLED COPY" in red.
STATUS:	ON SEMICONDUCTOR STANDARD	
NEW STANDARD:		
DESCRIPTION:	WLCSP32 2.47X2.47 / WLP32J	PAGE 1 OF 2

