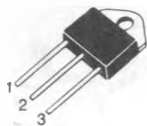
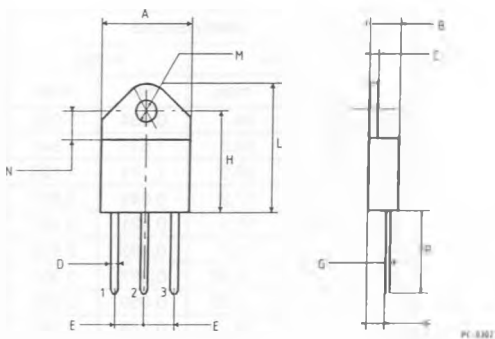


TOP-3I



MECHANICAL DATA



	DIMENSIONS			
	mm		inches	
	min	max	min	max
A	15.2	15.4	0.598	0.606
B	4.4	4.5	0.173	0.177
C	1.45	1.55	0.057	0.061
D	1.2	1.4	0.047	0.055
E	5.5 typ.		0.216 typ.	
G	0.5	—	0.019	—
H	16.1	16.5	0.633	0.649
L	20.7	21.1	0.815	0.830
M	4.1	4.2	0.161	0.165
N	3.4	—	0.133	—
P	15	15.6	0.590	0.614

pin 1: Base - pin 2: Collector - pin 3: Emitter