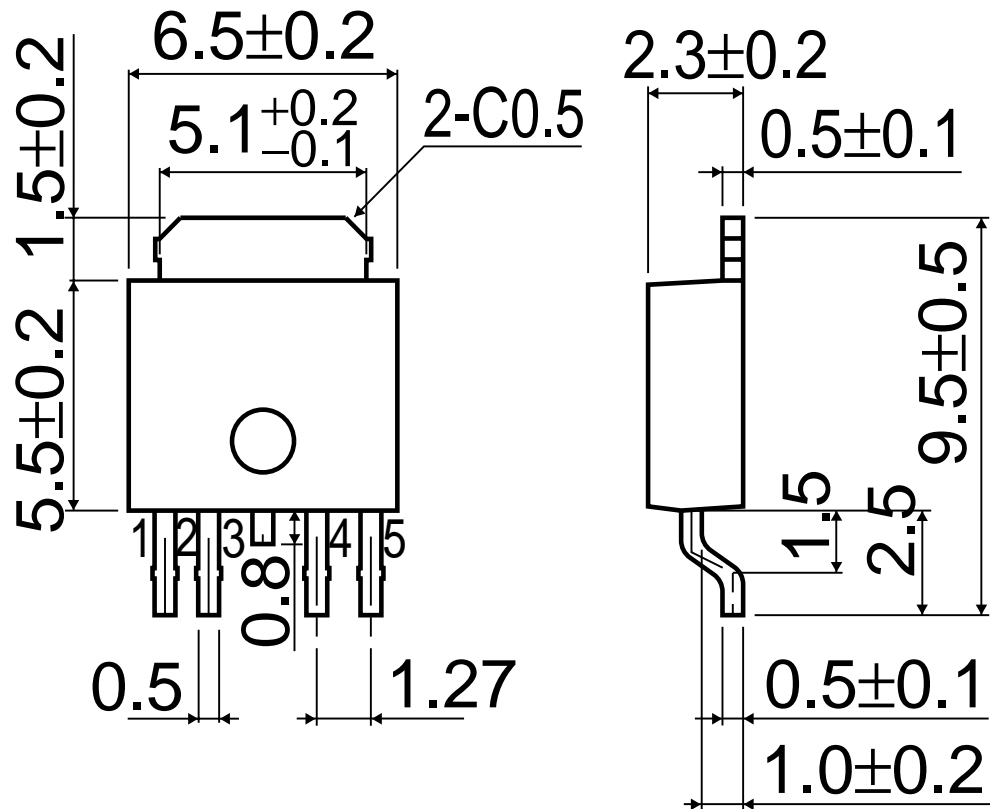


(Units : mm)

• TO252-5



* The contents described herein are subject to change without notice.