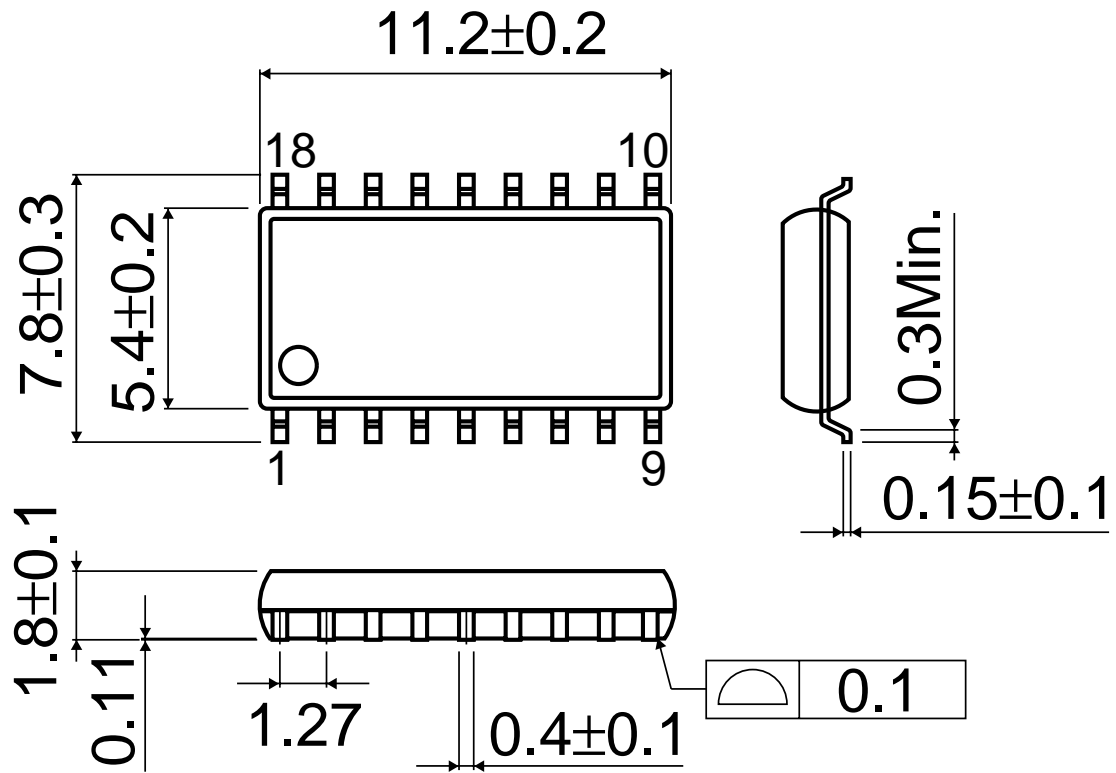


(Units : mm)

• SOP18



* The contents described herein are subject to change without notice.