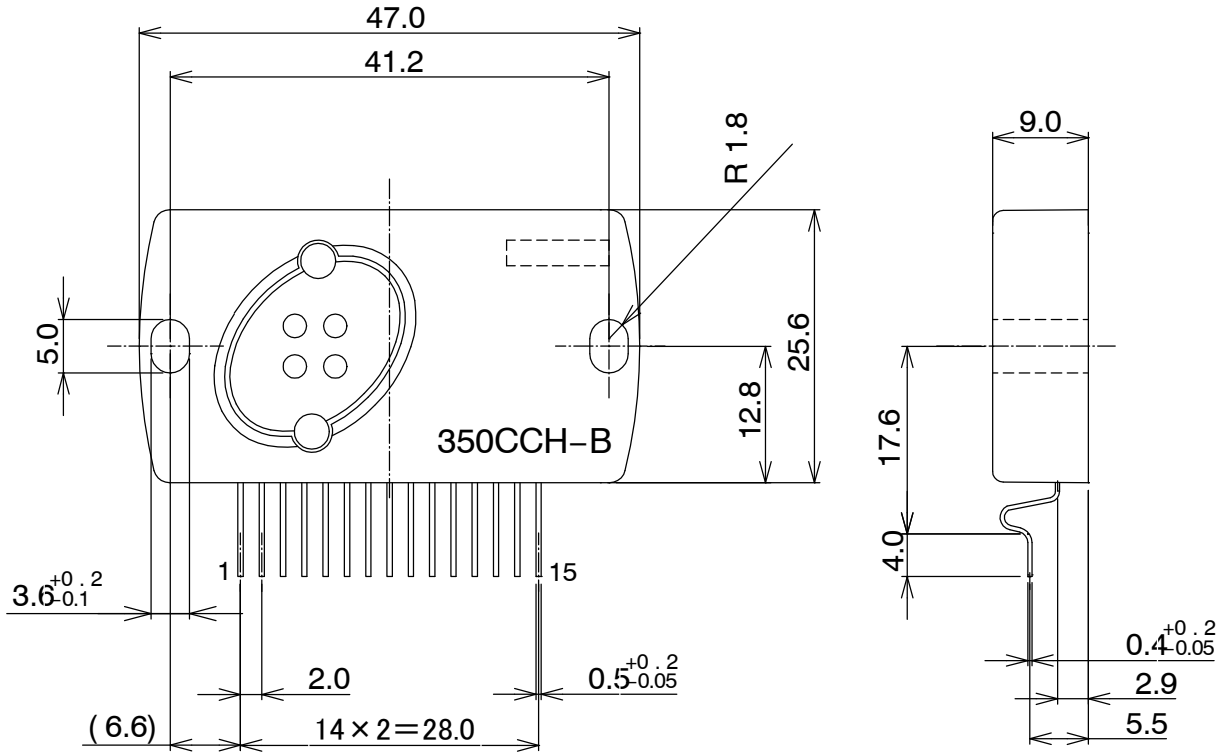


MECHANICAL CASE OUTLINE
PACKAGE DIMENSIONS

SIP15 47x25.6
CASE 127BC
ISSUE O

DATE 30 APR 2012



DOCUMENT NUMBER:	98AON79771E	Electronic versions are uncontrolled except when accessed directly from the Document Repository. Printed versions are uncontrolled except when stamped "CONTROLLED COPY" in red.
STATUS:	ON SEMICONDUCTOR STANDARD	
NEW STANDARD:		
DESCRIPTION:	SIP15 47X25.6	PAGE 1 OF 2

