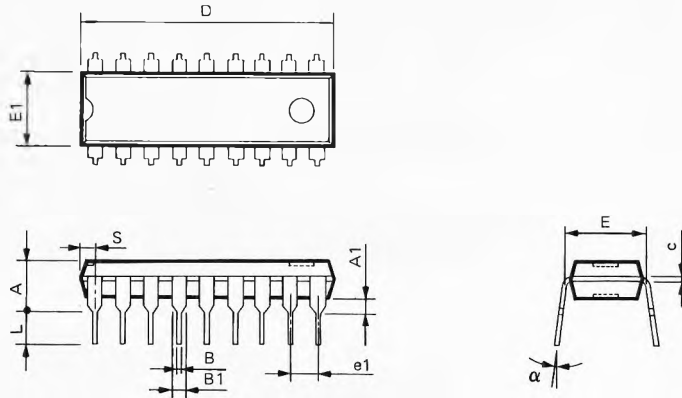


**P- DIP 18L Outline Dimension**


| Symbol   | Dimensions in inch       | Dimensions in mm         |
|----------|--------------------------|--------------------------|
| A        | 0.175 Max.               | 4.445 Max.               |
| A1       | 0.010 Min.               | 0.254 Min.               |
| B        | 0.018 + 0.004<br>- 0.002 | 0.457 + 0.102<br>- 0.051 |
| B1       | 0.060 + 0.004<br>- 0.002 | 1.524 + 0.102<br>- 0.051 |
| c        | 0.010 + 0.004<br>- 0.002 | 0.254 + 0.102<br>- 0.051 |
| D        | 0.900 (0.910 Max.)       | 22.860 (23.114 Max.)     |
| E        | 0.300 ± 0.010            | 7.620 ± 0.254            |
| E1       | 0.250 (0.275 Max.)       | 6.350 (6.985 Max.)       |
| e1       | 0.100 ± 0.010            | 2.540 ± 0.254            |
| L        | 0.130 ± 0.010            | 3.302 ± 0.254            |
| $\alpha$ | 0° ~ 15°                 | 0° ~ 15°                 |
| S        | 0.060 Max.               | 1.524 Max.               |