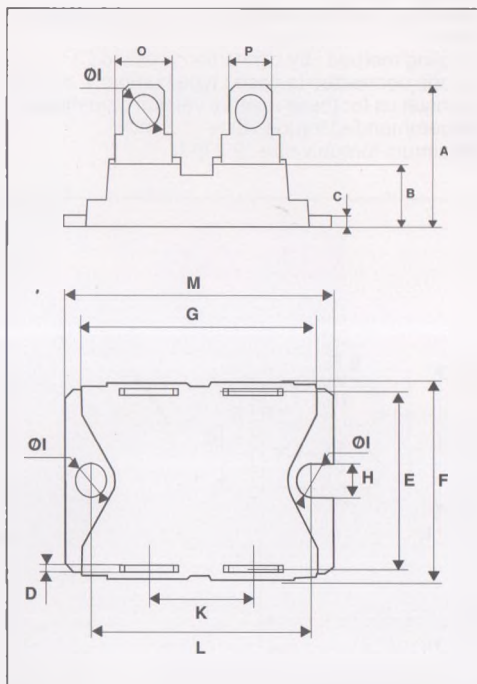
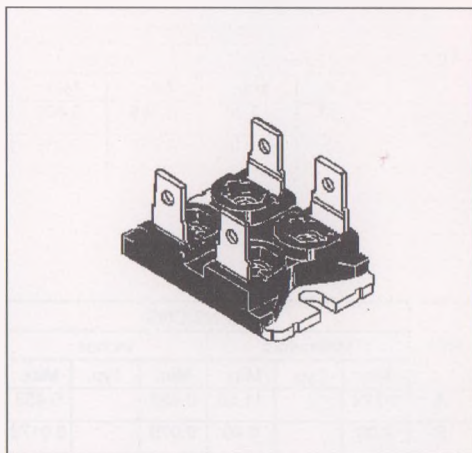


ISOLATED PLASTIC

Weight = 28 g (without screws)  
 Marking : Type number  
 Cooling method : C  
 Electrical isolation : 2500V(RMS)  
 Capacitance : < 45 pF  
 Inductance : < 5 nH



REF.	DIMENSIONS			
	Millimeters		Inches	
	Min.	Max.	Min.	Max.
A	20.30	20.70	0.799	0.815
B	8.90	9.10	0.350	0.358
C	1.958	2.05	0.078	0.081
D	0.75	0.87	0.029	0.034
E	22.00	22.40	0.866	0.882
F	25.10	25.50	0.988	1.004
G	31.50	31.70	1.240	1.248
H	4.00		1.57	
I	4.10	4.30	0.161	0.169
J	2.50	2.60	0.098	1.103
K	14.90	15.10	0.580	0.595
L	30.10	30.30	1.185	1.193
M	37.80	38.20	1.488	1.504
N	4.10	4.30	0.161	0.169
O	7.80	8.20	0.307	0.323
P	6.20	6.40	0.244	0.252