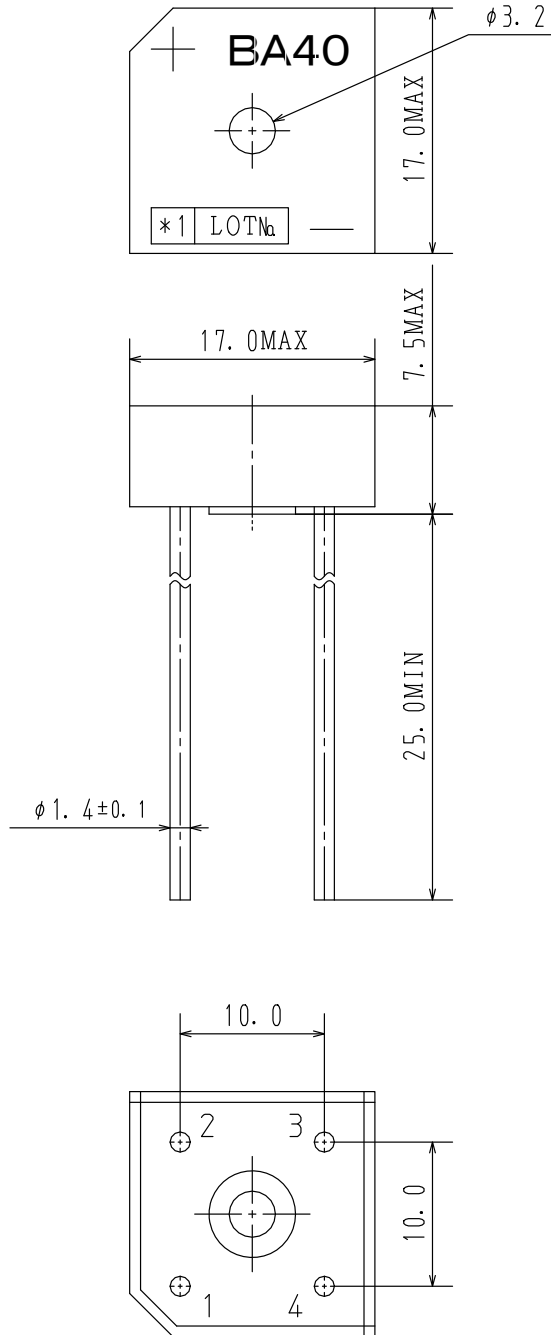


MECHANICAL CASE OUTLINE
PACKAGE DIMENSIONS

GBPC-W 17x17 / DBA40
CASE 161AD
ISSUE 0

DATE 30 APR 2012



Dimensions with no tolerance specified ± 1.0

DOCUMENT NUMBER:	98AON79617E	Electronic versions are uncontrolled except when accessed directly from the Document Repository. Printed versions are uncontrolled except when stamped "CONTROLLED COPY" in red.
STATUS:	ON SEMICONDUCTOR STANDARD	
NEW STANDARD:		
DESCRIPTION:	GBPC-W 17X17 / DBA40	PAGE 1 OF 2

