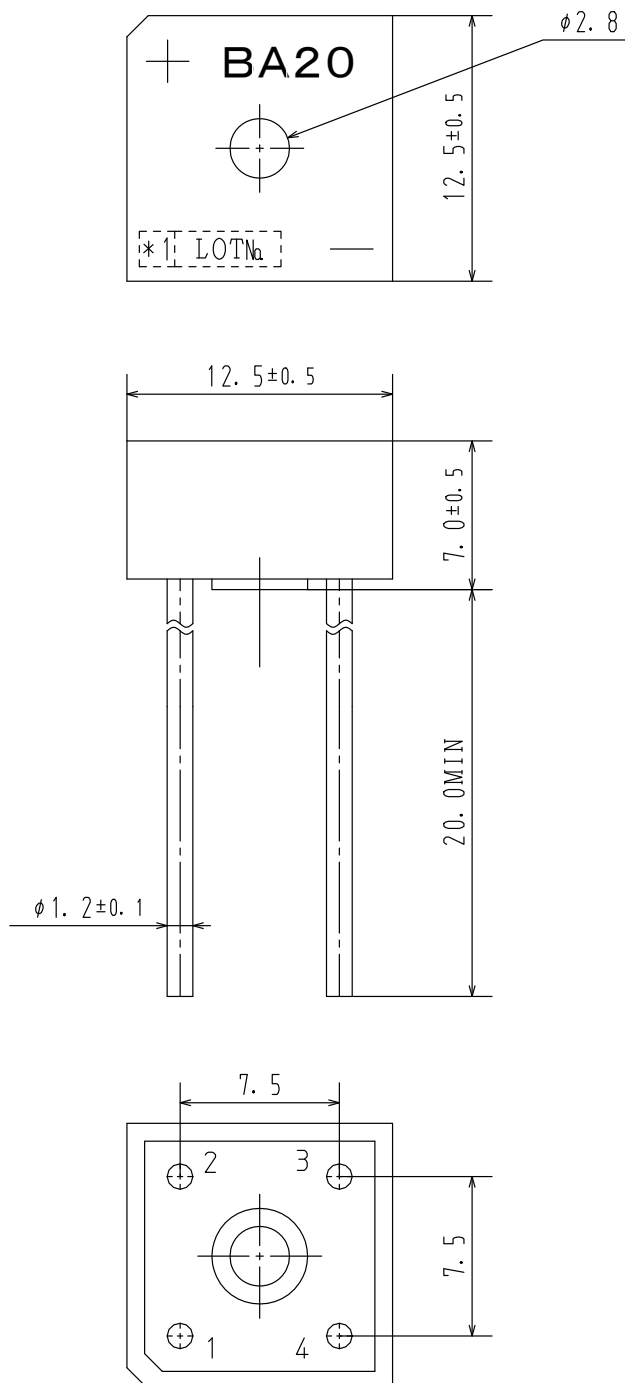


**GBPC-W 12.5x12.5 / DBA20**  
**CASE 161AA**  
**ISSUE 0**

DATE 30 APR 2012



Dimensions with no tolerance specified  $\pm 1.0$

<b>DOCUMENT NUMBER:</b>	<b>98AON79614E</b>	Electronic versions are uncontrolled except when accessed directly from the Document Repository. Printed versions are uncontrolled except when stamped "CONTROLLED COPY" in red.
<b>STATUS:</b>	<b>ON SEMICONDUCTOR STANDARD</b>	
<b>NEW STANDARD:</b>		
<b>DESCRIPTION:</b>	<b>GBPC-W 12.5X12.5 / DBA20</b>	<b>PAGE 1 OF 2</b>

