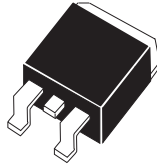


CSHDD16-40A  
 CSHDD16-60A  
 CSHDD16-100A

**SURFACE MOUNT  
 SILICON SCHOTTKY RECTIFIERS  
 DUAL, COMMON ANODE  
 16 AMP, 40 THRU 100 VOLTS**



**D<sup>2</sup>PAK!  
 SUPER POWER**

**D<sup>2</sup>PAK CASE**

**Central™  
 Semiconductor Corp.**

**FEATURES:**

- HIGH RELIABILITY
- HIGH CURRENT CAPABILITY
- UL FLAMMABILITY CLASSIFICATION 94V-0
- LOW POWER LOSS, HIGH EFFICIENCY
- LOW FORWARD VOLTAGE
- HIGH SURGE CAPACITY
- SUPERIOR LOT TO LOT CONSISTENCY
- HIGH VOLTAGE

**DESCRIPTION:**

The CENTRAL SEMICONDUCTOR CSHDD16-40A Series types are Silicon Schottky Rectifiers designed for surface mount fast switching applications requiring a low forward voltage drop. To order devices on 24mm Tape and Reel ( 800/13" Reel ), add TR13 suffix to part number.

**MAXIMUM RATINGS:** ( $T_C=25^\circ\text{C}$  unless otherwise noted)

	SYMBOL	CSHDD16 -40A	CSHDD16 -60A	CSHDD16 -100A	UNITS
Peak Repetitive Reverse Voltage	$V_{RRM}$	40	60	100	V
DC Blocking Voltage	$V_R$	40	60	100	V
RMS Reverse Voltage	$V_{R(RMS)}$	26	42	80	V
Average Forward Current ( $T_C=90^\circ\text{C}$ )	$I_O$		16		A
Peak Forward Surge Current (8.3ms)	$I_{FSM}$		150		A
Critical Rate of Rise of Reverse Voltage	$dV/dt$		10,000		V/ $\mu\text{s}$
Operating and Storage Junction Temperature	$T_J, T_{stg}$		-65 to +150		$^\circ\text{C}$
Typical Thermal Resistance	$\theta_{JC}$		2.0		$^\circ\text{C/W}$
Typical Thermal Resistance	$\theta_{JA}$		50		$^\circ\text{C/W}$

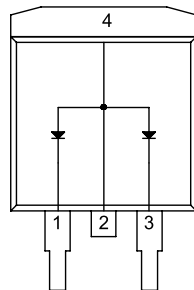
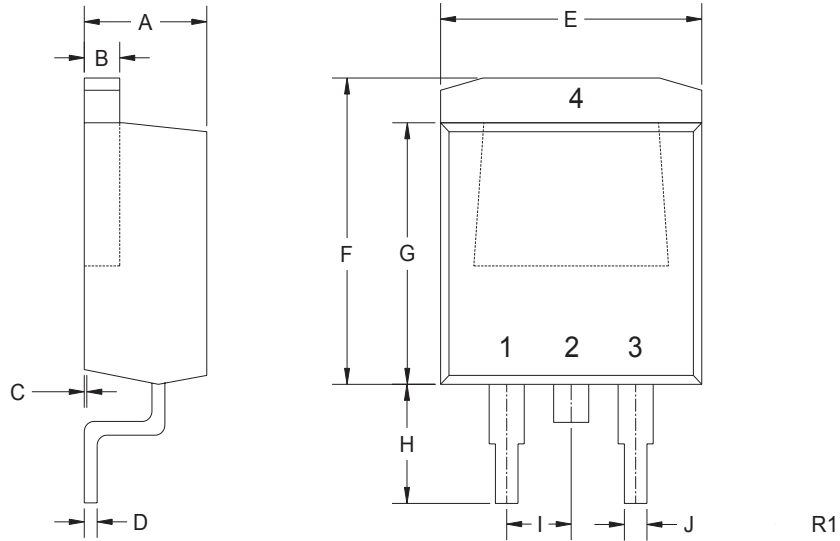
**ELECTRICAL CHARACTERISTICS:** ( $T_C=25^\circ\text{C}$  unless otherwise noted)

SYMBOL	TEST CONDITIONS	CSHDD16 -40A		CSHDD16 -60A		CSHDD16 -100A		UNITS
		TYP	MAX	TYP	MAX	TYP	MAX	
$I_R$	$V_R=\text{Rated } V_{RRM}$		100		100		100	$\mu\text{A}$
$I_R$	$V_R=\text{Rated } V_{RRM}, T_C=125^\circ\text{C}$		15		15		15	mA
$V_F$	$I_F=8.0\text{A}$		0.65		0.75		0.85	V
$V_F$	$I_F=8.0\text{A}, T_C=125^\circ\text{C}$		0.57		0.65		0.75	V
$V_F$	$I_F=16\text{A}$		0.84		0.95		1.10	V
$V_F$	$I_F=16\text{A}, T_C=125^\circ\text{C}$		0.72		0.85		1.00	V
$C_J$	$V_R=4.0\text{V}, f=1.0\text{MHz}$	300		300		300		pF

R0 ( 31-August 2001)

**SURFACE MOUNT  
SILICON SCHOTTKY RECTIFIERS  
DUAL, COMMON ANODE  
16 AMP, 40 THRU 100 VOLTS**

**D<sup>2</sup>PAK CASE - MECHANICAL OUTLINE**



LEAD CODE:

- 1) CATHODE 1
- 2) ANODE 1,2
- 3) CATHODE 2
- 4) ANODE 1,2

SYMBOL	DIMENSIONS			
	INCHES		MILLIMETERS	
	MIN	MAX	MIN	MAX
A	0.173	0.189	4.39	4.80
B	0.047	0.055	1.19	1.40
C	± 0.012		± 0.30	
D	0.011	0.026	0.28	0.66
E	0.387	0.409	9.83	10.39
F	0.378	0.418	9.60	10.62
G	0.335	0.357	8.51	9.07
H	0.197	0.236	5.00	5.99
I	0.092	0.108	2.34	2.74
J	-	0.035	-	0.89

D2PAK (REV: R1)

PIN 2 IS COMMON TO THE TAB(4)

R0 ( 31-August 2001)