

CMSH3-20M
 CMSH3-40M
 CMSH3-60M
 CMSH3-100M

**SURFACE MOUNT
 SCHOTTKY BARRIER SILICON
 RECTIFIER
 3.0 AMP, 20 THRU 100 VOLTS**

**HIGH DENSITY™
 S C H O T T K Y** **SUPERmini™**



SMB CASE

Central™

Semiconductor Corp.

FEATURES:

- HIGH CURRENT CAPABILITY
- FLAMMABILITY CLASSIFICATION UL94V-0
- HIGH DENSITY, SUPERmini™ DEVICE
- SUPERIOR LOT TO LOT CONSISTENCY
- LOW COST
- "C" BEND CONSTRUCTION PROVIDES STRAIN RELIEF WHEN MOUNTED ON PC BOARD
- HIGH RELIABILITY

DESCRIPTION:

The CENTRAL SEMICONDUCTOR 3.0 Amp Surface Mount Silicon Schottky Rectifier is a high quality, well constructed, highly reliable component designed for use in all types of commercial, industrial, entertainment, computer, and automotive applications. To order devices on 12mm Tape and Reel (3000/13" Reel), add TR13 suffix to part number.

MARKING CODE: SEE MARKING CODE TABLE ON FOLLOWING PAGE

MAXIMUM RATINGS: (T_A=25°C unless otherwise noted)

	SYMBOL	CMSH3 -20M	CMSH3 -40M	CMSH3 -60M	CMSH3 -100M	UNITS
Peak Repetitive Reverse Voltage	V _{RRM}	20	40	60	100	V
DC Blocking Voltage	V _R	20	40	60	100	V
RMS Reverse Voltage	V _{R(RMS)}	14	28	42	71	V
Average Forward Current (T _L =75°C)	I _O			3.0		A
Peak Forward Surge Current (8.3ms)	I _{FSM}			80		A
Operating and Storage						
Junction Temperature	T _J , T _{stg}		-65 to +150			°C
Thermal Resistance	θ _{JL}		20			°C/W

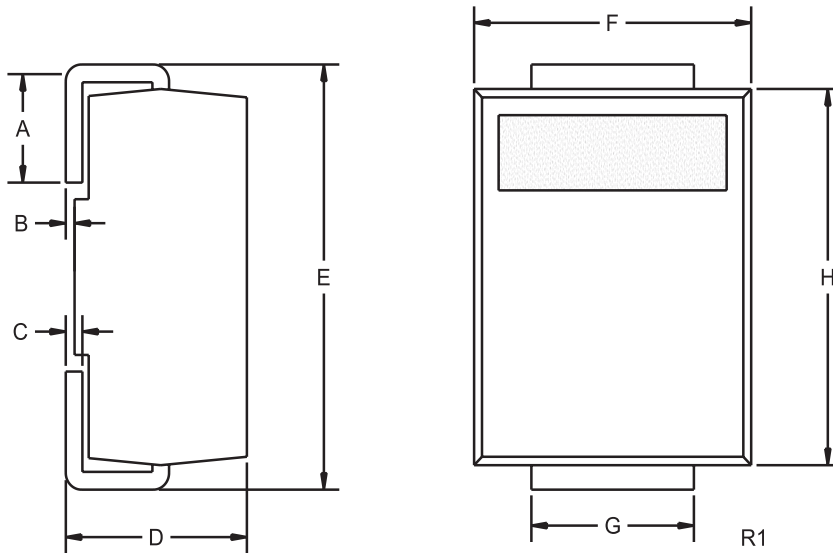
ELECTRICAL CHARACTERISTICS: (T_A=25°C unless otherwise noted)

SYMBOL	TEST CONDITIONS	MIN	TYP	MAX	UNITS
I _R	V _R =Rated V _{RRM}			500	μA
I _R	V _R =Rated V _{RRM} , T _A =100°C			20	mA
V _F	I _F =3.0A (CMSH3-20M and CMSH3-40M)			0.55	V
V _F	I _F =3.0A (CMSH3-60M)			0.75	V
V _F	I _F =3.0A (CMSH3-100M)			0.85	V
C _J	V _R =4.0V, f=1.0MHz		280		pF

R2 (14-November 2002)

**SURFACE MOUNT
SCHOTTKY BARRIER SILICON
RECTIFIER
3.0 AMP, 20 THRU 100 VOLTS**

SMB CASE - MECHANICAL OUTLINE



MARKING CODES:

DEVICE	MARKING CODE
CMSH3-20M	CS320M
CMSH3-40M	CS340M
CMSH3-60M	CS360M
CMSH3-100M	CS3100M

SYMBOL	DIMENSIONS			
	INCHES		MILLIMETERS	
	MIN	MAX	MIN	MAX
A	0.030	0.060	0.76	1.52
B	0.004	0.008	0.10	0.20
C	0.006	0.012	0.15	0.30
D	0.086	0.096	2.18	2.44
E	0.200	0.220	5.08	5.59
F	0.130	0.150	3.30	3.81
G	0.077	0.083	1.96	2.11
H	0.160	0.180	4.06	4.57

SMB (REV: R1)