

- AVAILABLE IN JAN, JANTX, JANTXV AND JANS PER MIL-PRF-19500/406
- 1.5 WATT ZENER DIODES
- NON CAVITY CONSTRUCTION
- METALLURGICALLY BONDED

1N6485US  
THRU  
1N6491US  
AND  
1N4460US  
AND  
1N4461US

### MAXIMUM RATINGS

Operating Temperature: -65°C to +175°C  
Storage Temperature: -65°C to +200°C  
Power Dissipation: 1.5W @ T<sub>A</sub>=+25°C  
Power Derating: 10mW/°C above T<sub>A</sub>=+25°C  
Forward Voltage: 1.0V dc @ I<sub>F</sub>=200mA dc  
1.5 V dc @ I<sub>F</sub>=1A dc

### ELECTRICAL CHARACTERISTICS @ 25°C, unless otherwise specified

TYPE	ZENER VOLTAGE (NOM.) ±5%	TEST CURRENT I <sub>ZT</sub>	DYNAMIC IMPEDENCE (MAX.) Z <sub>ZT</sub> @I <sub>ZT</sub>	KNEE IMPEDENCE (MAX.) Z <sub>ZK</sub> @I <sub>ZT</sub>	TEST CURRENT I <sub>ZK</sub>	REVERSE CURRENT (MAX.) I <sub>R</sub> @V <sub>R</sub>	TEST VOLTAGE V <sub>R</sub>	MAXIMUM CURRENT I <sub>ZM</sub>	V <sub>Z</sub> (REG) ΔV <sub>Z</sub>	MAXIMUM SURGE
	VOLTS	mA	OHMS	OHMS	mA	μA	VOLTS	MA	VOLTS	AMPS
1N6485US	3.3	76.0	10	400	1.0	50	1.0	433	.90	4.2
1N6486US	3.6	69.0	10	400	1.0	50	1.0	397	.80	3.9
1N6487US	3.9	64.0	9	400	1.0	35	1.0	366	.75	3.6
1N6488US	4.3	58.0	9	400	1.0	5.0	1.0	332	.70	3.3
1N6489US	4.7	53.0	8	500	1.0	4.0	1.0	304	.60	3.0
1N6490US	5.1	49.0	7	500	1.0	1.0	1.0	280	.50	2.7
1N6491US	5.6	45.0	5	600	1.0	0.5	2.0	255	.40	2.5
1N4460US	6.2	40.0	4	200	1.0	10.0	3.72	230	.35	2.3
1N4461US	6.8	37.0	2.5	200	1.0	5.0	4.08	210	.30	2.1

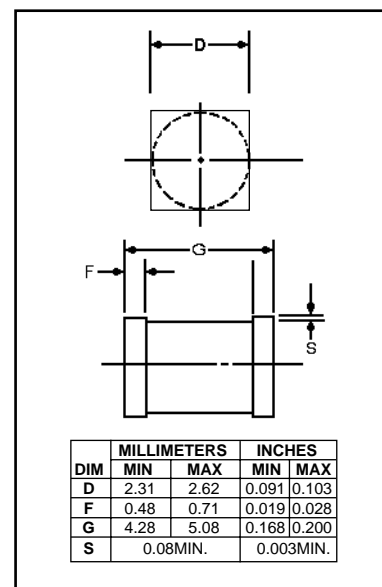


FIGURE 1

### DESIGN DATA

**CASE:** D-5A, hermetically sealed glass case, per MIL-PRF- 19500/406

**LEAD FINISH:** Tin / Lead

**THERMAL RESISTANCE:** (R<sub>ΘJEC</sub>): 20 °C/W maximum at L = 0

**THERMAL IMPEDANCE:** (Z<sub>ΘJX</sub>): 4.5 °C/W maximum

**POLARITY:** Diode to be operated with the banded (cathode) end positive.

**MOUNTING SURFACE SELECTION:** The Axial Coefficient of Expansion (COE) of this device is approximately + 4PPM / °C. The COE of the Mounting Surface System should be selected to provide a suitable match with this device.



**COMPENSATED DEVICES INCORPORATED**

22 COREY STREET, MELROSE, MASSACHUSETTS 02176  
PHONE (781) 665-1071 FAX (781) 665-7379  
WEBSITE: <http://www.cdi-diodes.com> E-mail: [mail@cdi-diodes.com](mailto:mail@cdi-diodes.com)



For the complete DATASHEET please visit [www.searchdatasheets.com](http://www.searchdatasheets.com)  
and [register](#) as a paying customer.

Price starting at: \$50 US for a weekly membership.

\$150 US for 3 months membership, and \$500 US for a yearly membership.

---

“Searchdatasheets provides users with one of the Internet’s most complete sources for obsolete datasheets,” said Ariel Zriel, President, Market Maker Systems.

As the life-cycle of components is shortened by the constant demand for faster and better technology, electronics parts are being rendered obsolete at an unprecedented rate. Searchdatasheets gathers and stores the fact sheets, which explain how to use those components.

“Once a component manufacturer decides to eliminate a component datasheet from its web site,” said Zriel, “we take over and list it along with the millions of other datasheets that our users can quickly access.”

Users can perform standard searches for datasheets, or use the cross-reference search option if they want to find a compatible part from another manufacturer.

Searchdatasheets also informs its users when parts are going to become obsolete, providing them with timely product change notification (PCN), product discontinuation notices (PDN) and end of life (EOL) notification.

Searchdatasheets is the only database of its kind that has components engineers onstaff.

That means users can count on assistance from qualified personnel when performing cross-reference searches. Searchdatasheets engineers also regularly research and add and new datasheets to the system.

“We have full-time Engineers on-staff to research and add datasheets if the information is not currently on our site,” said Zriel. “We are providing a place for users to have their questions answered quickly. Our aim is to build a community for components engineers who need help in product design.”

For information or to contact us:

Market Maker Systems Canada

Phone: 1-514-333-1245

Fax: 1-514-333-1489

Email: [sales@searchdatasheets.com](mailto:sales@searchdatasheets.com)

