

BIPOLAR ANALOG INTEGRATED CIRCUIT

μ PC1655C

SILICON MONOLITHIC BIPOLAR INTEGRATED CIRCUIT

WIDE BAND AMPLIFIER

DESCRIPTION

The μ PC1655C is a silicon monolithic integrated circuit especially designed as a wide band amplifier covering HF band through UHF band.

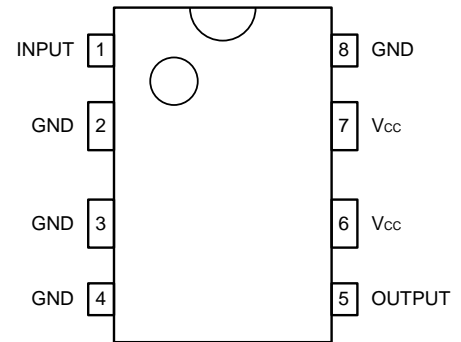
FEATURES

- Excellent frequency response : 1 GHz TYP. @ 3 dB down
- High power gain : 18 dB TYP. @ f = 500 MHz
- Supply voltage : $V_{CC} = 5$ V

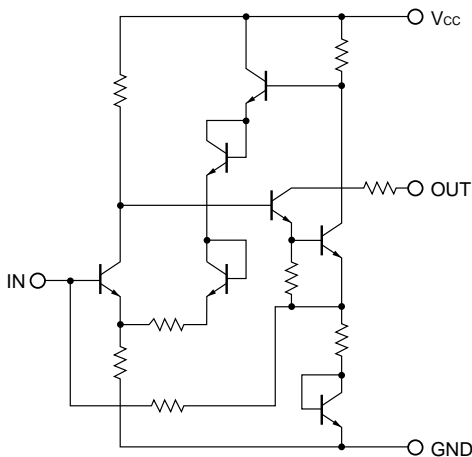
ABSOLUTE MAXIMUM RATINGS ($T_A = +25$ °C)

Supply Voltage	V_{CC}	7	V
Total Power dissipation	P_T	600	mW
Operating Ambient Temperature	T_A	-20 to +75	°C
Storage Temperature	T_{stg}	-40 to +125	°C

CONNECTION DIAGRAM (Top View)



INTERNAL EQUIVALENT CIRCUIT



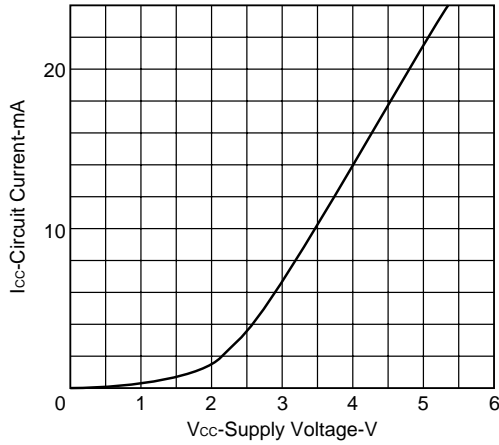
ELECTRICAL CHARACTERISTICS ($T_A = +25$ °C, $V_{CC} = 5.0$ V)

PARAMETER	SYMBOL	MIN.	TYP.	MAX.	UNIT	TEST CONDITIONS
Circuit Current	I_{CC}	15	20	25	mA	No signal
Power Gain	G_P	16	18	20	dB	f = 500 MHz
Noise Figure	NF		5.5	6.5	dB	f = 500 MHz
Band Width	BW	0.8	1.0		GHz	3 dB down below flat gain
Isolation	I_{SO}	20	24		dB	f = 500 MHz
Input Return Loss	$ S_{11} $	20	25		dB	f = 500 MHz
Output Return Loss	$ S_{22} $	7	10		dB	f = 500 MHz
Maximum Output Level	P_O	3	5		dBm	f = 500 MHz

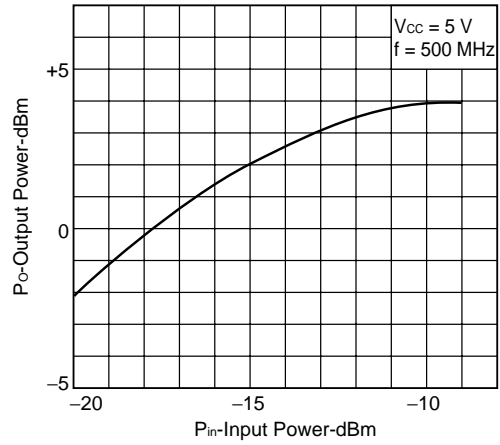
NEC cannot assume any responsibility for any circuits shown or represent that they are free from patent infringement.

TYPICAL CHARACTERISTICS (T_A = +25 °C)

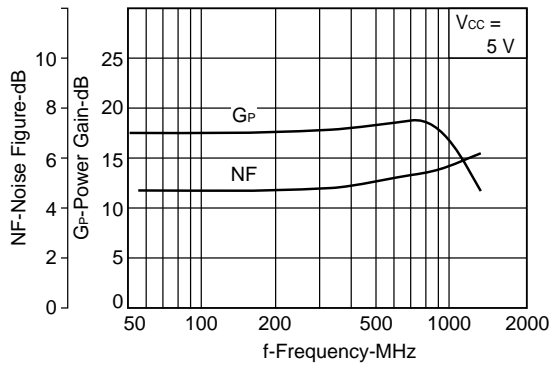
CIRCUIT CURRENT vs. SUPPLY VOLTAGE



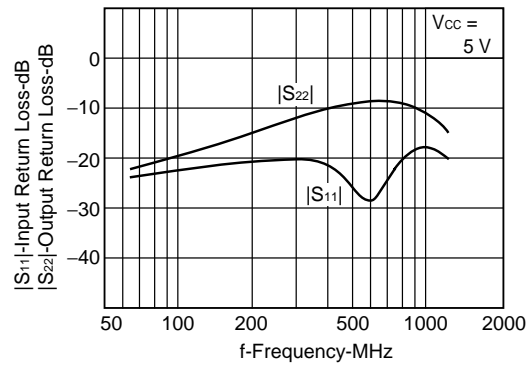
INPUT POWER vs. OUTPUT POWER



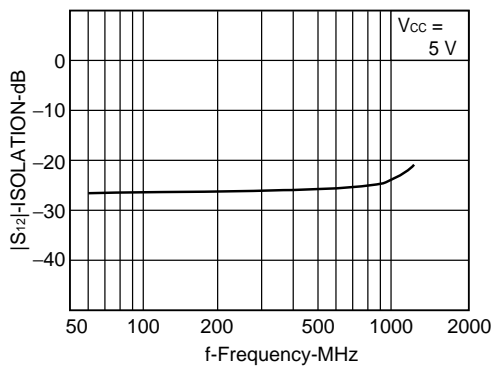
NOISE FIGURE AND POWER GAIN vs. FREQUENCY



INPUT AND OUTPUT RETURN LOSS vs. FREQUENCY

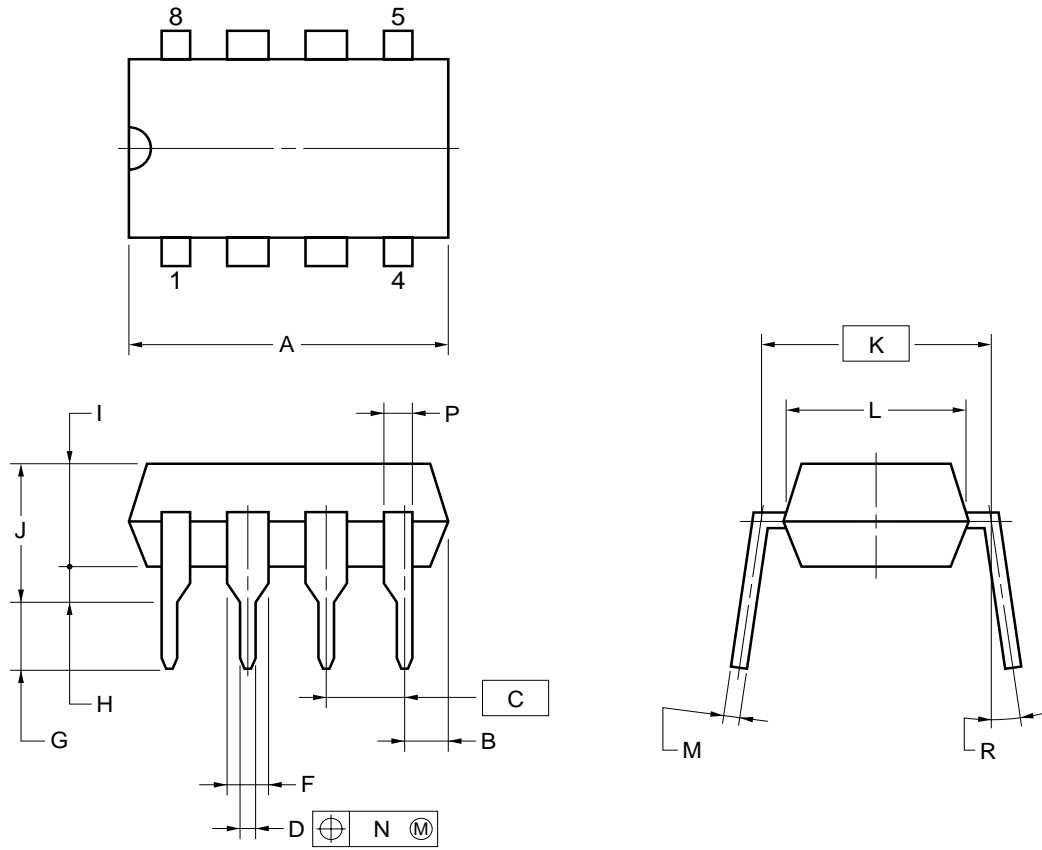


ISOLATION vs. FREQUENCY



For application circuits, please refer to User's manual of μ PC1655C. (Document No. P11438E)

8PIN PLASTIC DIP (300 mil)



NOTES

- 1) Each lead centerline is located within 0.25 mm (0.01 inch) of its true position (T.P.) at maximum material condition.
- 2) Item "K" to center of leads when formed parallel.

ITEM	MILLIMETERS	INCHES
A	10.16 MAX.	0.400 MAX.
B	1.27 MAX.	0.050 MAX.
C	2.54 (T.P.)	0.100 (T.P.)
D	0.50±0.10	0.020 ^{+0.004} _{-0.005}
F	1.4 MIN.	0.055 MIN.
G	3.2±0.3	0.126±0.012
H	0.51 MIN.	0.020 MIN.
I	4.31 MAX.	0.170 MAX.
J	5.08 MAX.	0.200 MAX.
K	7.62 (T.P.)	0.300 (T.P.)
L	6.4	0.252
M	0.25 ^{+0.10} _{-0.05}	0.010 ^{+0.004} _{-0.003}
N	0.25	0.01
P	0.9 MIN.	0.035 MIN.
R	0~15°	0~15°

P8C-100-300B,C-1

No part of this document may be copied or reproduced in any form or by any means without the prior written consent of NEC Corporation. NEC Corporation assumes no responsibility for any errors which may appear in this document.

NEC Corporation does not assume any liability for infringement of patents, copyrights or other intellectual property rights of third parties by or arising from use of a device described herein or any other liability arising from use of such device. No license, either express, implied or otherwise, is granted under any patents, copyrights or other intellectual property rights of NEC Corporation or others.

While NEC Corporation has been making continuous effort to enhance the reliability of its semiconductor devices, the possibility of defects cannot be eliminated entirely. To minimize risks of damage or injury to persons or property arising from a defect in an NEC semiconductor device, customers must incorporate sufficient safety measures in its design, such as redundancy, fire-containment, and anti-failure features.

NEC devices are classified into the following three quality grades:

"Standard", "Special", and "Specific". The Specific quality grade applies only to devices developed based on a customer designated "quality assurance program" for a specific application. The recommended applications of a device depend on its quality grade, as indicated below. Customers must check the quality grade of each device before using it in a particular application.

Standard: Computers, office equipment, communications equipment, test and measurement equipment, audio and visual equipment, home electronic appliances, machine tools, personal electronic equipment and industrial robots

Special: Transportation equipment (automobiles, trains, ships, etc.), traffic control systems, anti-disaster systems, anti-crime systems, safety equipment and medical equipment (not specifically designed for life support)

Specific: Aircrafts, aerospace equipment, submersible repeaters, nuclear reactor control systems, life support systems or medical equipment for life support, etc.

The quality grade of NEC devices is "Standard" unless otherwise specified in NEC's Data Sheets or Data Books. If customers intend to use NEC devices for applications other than those specified for Standard quality grade, they should contact an NEC sales representative in advance.

Anti-radioactive design is not implemented in this product.