

4-CHANNEL 8:16 MULTIPLEXER/DEMULTIPLEXER PCI EXPRESS SWITCH

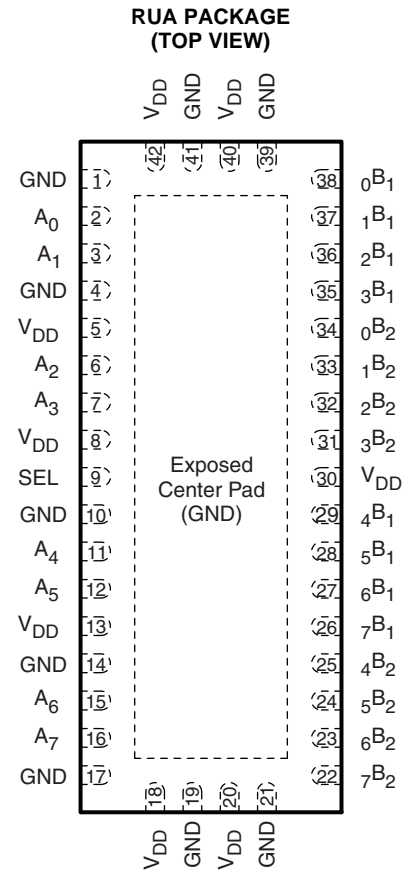
Check for Samples: [TS2PCIE412](#)

FEATURES

- Compatible With PCI Express (PCIe) Standard
- Wide Bandwidth of over 3 Gbps
- Low Crosstalk ($X_{TALK} = -32$ dB Typ at 1.25 GHz)
- $O_{IRR} = -36.3$ dB Typical at 1.25 GHz
- Low Bit-to-Bit Skew ($t_{sk(O)} = 0.06$ ns Typical)
- V_{DD} Operating Range: 1.5 V to 2 V
- I_{off} Supports Partial Power-Down Mode Operation
- Latch-Up Performance Exceeds 100 mA Per JESD 78, Class II
- ESD Performance Tested Per JESD 22
 - 2000-V Human-Body Model (A114-B, Class II)
 - 1000-V Charged-Device Model (C101)

APPLICATIONS

- PCIe Bus Multiplexing and Expansion
- Routing PCI Express Data and/or Display Port Signals
- Notebook PCs
- Desktop PCs
- Servers/Storage Area Networks



DESCRIPTION/ ORDERING INFORMATION

The TS2PCIE412 is a 4-channel PCIe 2:1 multiplexer/demultiplexer switch that can be used to route one PCIe data lane between two possible destinations or two PCIe data lanes to one destination. Each channel consists of differential pairs of receive (RX) and transmit (TX) signals and operates at a signal-processing bandwidth speed, which supports the PCIe standard of 2.5 Gbps. The device is controlled with one select input (SEL) pin, where SEL controls the data path of the multiplexer/demultiplexer and can be connected to any GPIO in the system. The unselected channel is set in a high-impedance state.

ORDERING INFORMATION

T_A	PACKAGE ⁽¹⁾ ⁽²⁾		ORDERABLE PART NUMBER	TOP-SIDE MARKING
-40°C to 85°C	QFN – RUA	Tape and reel	TS2PCIE412RUAR	SH412

(1) Package drawings, thermal data, and symbolization are available at www.ti.com/packaging.

(2) For the most current package and ordering information, see the Package Option Addendum at the end of this document, or see the TI website at www.ti.com.



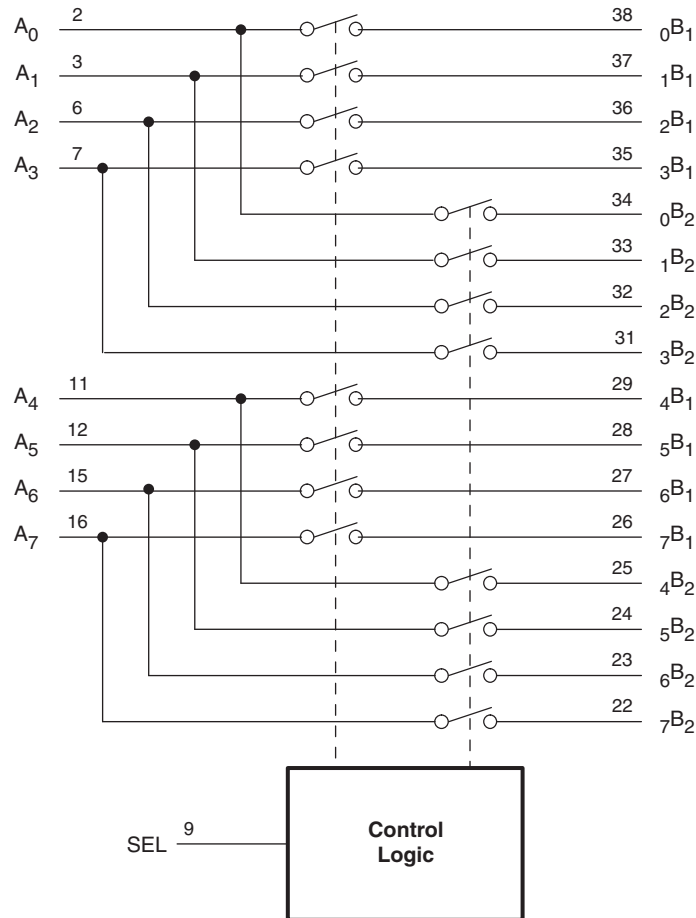
Please be aware that an important notice concerning availability, standard warranty, and use in critical applications of Texas Instruments semiconductor products and disclaimers thereto appears at the end of this data sheet.

All trademarks are the property of their respective owners.

FUNCTION TABLE

SEL	FUNCTION
L	A_n to $_nB_1$
H	A_n to $_nB_2$

FUNCTIONAL DIAGRAM



TERMINAL FUNCTIONS

TERMINAL		I/O	DESCRIPTION
NAME	NO.		
A_n	2, 3, 6, 7, 11, 12, 15, 16	I/O	Data I/Os
$_nB_m$	22–29, 31–38	I/O	Data I/Os
SEL	9	I	Select input
V_{DD}	5, 8, 13, 18, 20, 30, 40, 42	–	Power supply
GND	1, 4, 10, 14, 17, 19, 21, 39, 41, Exposed center pad	–	Ground

ABSOLUTE MAXIMUM RATINGS^{(1) (2)}

over operating free-air temperature range (unless otherwise noted)

		MIN	MAX	UNIT
V_{DD}	Supply voltage range	-0.5	2.5	V
V_{IN}	Control input voltage range ^{(2) (3)}	-0.5	2.5	V
$V_{I/O}$	Switch I/O voltage range ^{(2) (3) (4)}	-0.5	2.5	V
I_{IK}	Control input clamp current	$V_{IN} < GND$		-50 mA
$I_{I/OK}$	I/O port clamp current	$V_{I/O} < GND$		-50 mA
$I_{I/O}$	ON-state switch current ⁽⁵⁾		100	mA
I_{DD}	Continuous current through V_{DD}		100	mA
I_{GND}	Continuous current through GND		-100	mA
T_{stg}	Storage temperature range.	-65	150	°C

- (1) Stresses beyond those listed under "absolute maximum ratings" may cause permanent damage to the device. These are stress ratings only, and functional operation of the device at these or any other conditions beyond those indicated under "recommended operating conditions" is not implied. Exposure to absolute-maximum-rated conditions for extended periods may affect device reliability.
- (2) All voltages are with respect to GND unless otherwise specified.
- (3) The input voltage and output negative-voltage ratings may be exceeded if the input and output current ratings are observed.
- (4) V_I and V_O are used to denote specific conditions for $V_{I/O}$.
- (5) I_I and I_O are used to denote specific conditions for $I_{I/O}$.

PACKAGE THERMAL IMPEDANCE

over operating free-air temperature range (unless otherwise noted)

			UNIT
θ_{JA}	Package thermal impedance ⁽¹⁾	RUA package	51.2 °C/W

- (1) The package thermal impedance is calculated in accordance with JESD 51-7.

RECOMMENDED OPERATING CONDITIONS

over operating free-air temperature range (unless otherwise noted)

		MIN	TYP	MAX	UNIT
V_{DD}	Supply voltage	1.5	1.8	2	V
V_{IH}	High-level control input voltage (SEL)	$0.65 \times V_{DD}$			V
V_{IL}	Low-level control input voltage (SEL)	$0.35 \times V_{DD}$			V
V_{IO}	Switch input/output voltage	0		V_{DD}	V
T_A	Operating free air temperature	0		85	°C

ELECTRICAL CHARACTERISTICS FOR 1.8-V SUPPLY⁽¹⁾
 $V_{DD} = 1.5 \text{ V to } 2.0 \text{ V}$, $T_A = -40^\circ\text{C to } 85^\circ\text{C}$ (unless otherwise noted)

PARAMETER		TEST CONDITIONS		MIN	TYP ⁽²⁾	MAX	UNIT
V_{IK}	SEL	$V_{DD} = 2.0 \text{ V}$,	$I_{IN} = -18 \text{ mA}$		-0.7	-1.3	V
I_{IH}	SEL	$V_{DD} = 2.0 \text{ V}$,	$V_{IN} = V_{DD}$			± 1	μA
I_{IL}	SEL	$V_{DD} = 2.0 \text{ V}$,	$V_{IN} = \text{GND}$			± 1	μA
I_{off}		$V_{DD} = 0$,	$V_O = 0 \text{ to } 2 \text{ V}$,	$V_I = 0$		1	μA
I_{CC}		$V_{DD} = 2.0 \text{ V}$,	$I_{I/O} = 0$,	Switch ON or OFF	200	400	μA
C_{IN}	SEL	$f = 10 \text{ MHz}$, $V_{IN} = 0 \text{ V}$			1		pF
C_{OFF}	B port	$V_I = 0 \text{ V}$, $f = 10 \text{ MHz}$,	Outputs open,	Switch OFF	1.5	1.5	pF
C_{ON}		$V_I = 0 \text{ V}$, $f = 10 \text{ MHz}$,	Outputs open,	Switch ON	4.5	4.5	pF
r_{ON}		$V_{DD} = 1.8 \text{ V}$,	$\text{GND} \leq V_I \leq V_{DD}$,	$I_O = -40 \text{ mA}$	12	18	Ω
$r_{ON(\text{flat})}$ (3)		$V_{DD} = 1.8 \text{ V}$,	$V_I = 1.65 \text{ to } 1.8 \text{ V}$,	$I_O = -40 \text{ mA}$	0.5		Ω
Δr_{ON} (4)		$V_{DD} = 1.8 \text{ V}$,	$\text{GND} \leq V_I \leq V_{DD}$,	$I_O = -40 \text{ mA}$	0.2	0.8	Ω
Dynamic							
X_{TALK}	$R_L = 100 \Omega$, $f = 10 \text{ MHz}$		See Figure 9		-81		dB
	$R_L = 100 \Omega$, $f = 1.25 \text{ GHz}$				-32		
O_{IRR}	$R_L = 100 \Omega$, $f = 10 \text{ MHz}$		See Figure 10		-74		dB
	$R_L = 100 \Omega$, $f = 1.25 \text{ GHz}$				-36		
BW		$R_L = 50 \Omega$,	See Figure 8		2.1		GHz
Max data rate		$R_L = 50 \Omega$,	See Figure 8		4.2		Gbps

- (1) V_I , V_O , I_I , and I_O refer to I/O pins. V_{IN} refers to the control inputs.
(2) All typical values are at $V_{DD} = 1.8 \text{ V}$ (unless otherwise noted), $T_A = 25^\circ\text{C}$.
(3) $r_{ON(\text{flat})}$ is the difference of r_{ON} in a given channel at specific voltages.
(4) Δr_{ON} is the difference of r_{ON} from center ports to any other port.

SWITCHING CHARACTERISTICS

over recommended operating free-air temperature range, $V_{DD} = 1.5 \text{ V to } 2.0 \text{ V}$, $R_L = 200 \Omega$, $C_L = 10 \text{ pF}$
(unless otherwise noted)

PARAMETER	FROM (INPUT)	TO (OUTPUT)	MIN	TYP ⁽¹⁾	MAX	UNIT
t_{pd} (2) (3)	A_n or nB_n	nB_n or A_n		0.28		ns
t_{PZH} , t_{PZL}	SEL	A_n or nB_n		7.8	9	ns
t_{PHZ} , t_{PLZ}	SEL	A_n or nB_n		2.5	4	ns
$t_{sk(O)}$ (4)	A_n or nB_n	nB_n or A_n		0.06	0.1	ns
$t_{sk(p)}$ (5) (6)				0.06	0.1	ns

- (1) All typical values are at $V_{DD} = 1.8 \text{ V}$ (unless otherwise noted) $T_A = 25^\circ\text{C}$.
(2) The propagation delay is the calculated RC time constant of the typical ON-state resistance of the switch and the specified load capacitance when driven by an ideal voltage source (zero output impedance).
(3) See Figure 6
(4) Output skew between center port to any other port
(5) Skew between opposite transitions of the same output in a given device $t_{PHL} - t_{PLH}$
(6) See Figure 7

TYPICAL PERFORMANCE

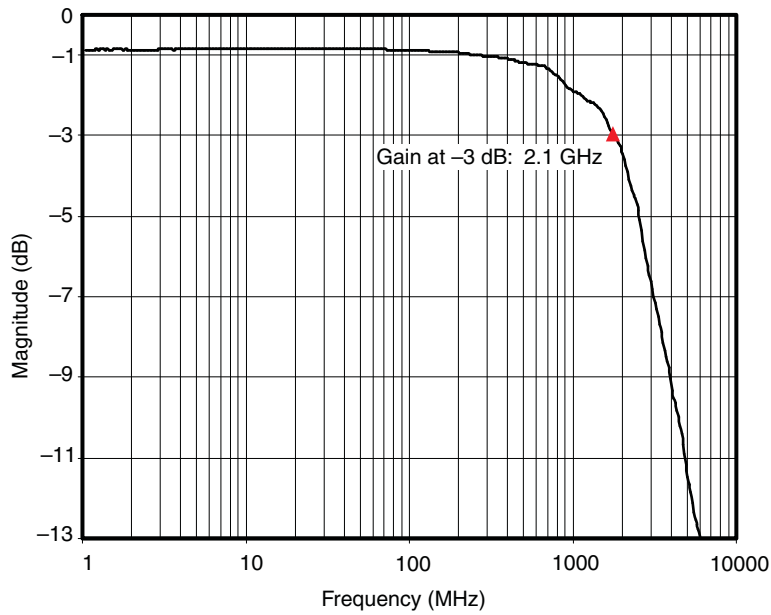


Figure 1. Frequency Response (Insertion Loss)

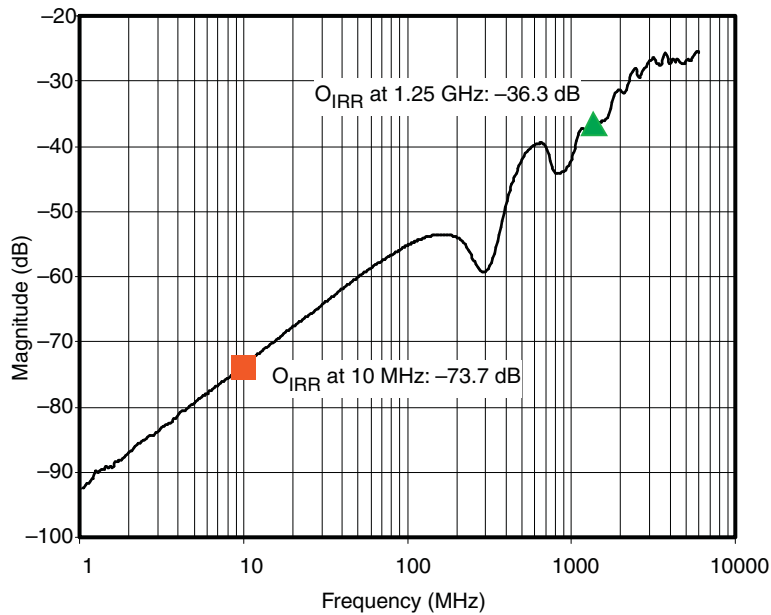


Figure 2. OFF Isolation vs Frequency

TYPICAL PERFORMANCE (continued)

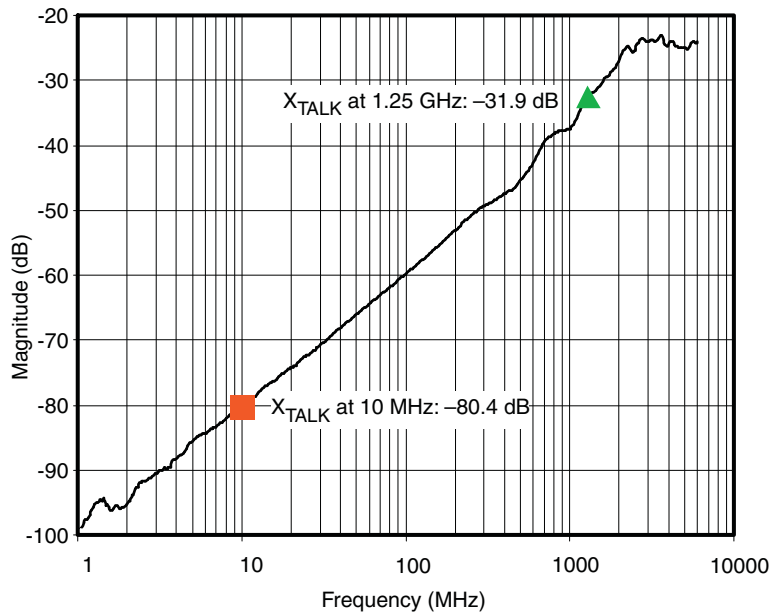


Figure 3. Crosstalk vs Frequency

Eye Diagrams

10-inch trace board for real implementation, $V_{DD} = 1.8\text{ V}$, $f = 1.25\text{ GHz}$, transitional signal and non-transitional signal eye from Tektronix TDS6154C and Tektronix RT-Eye = software

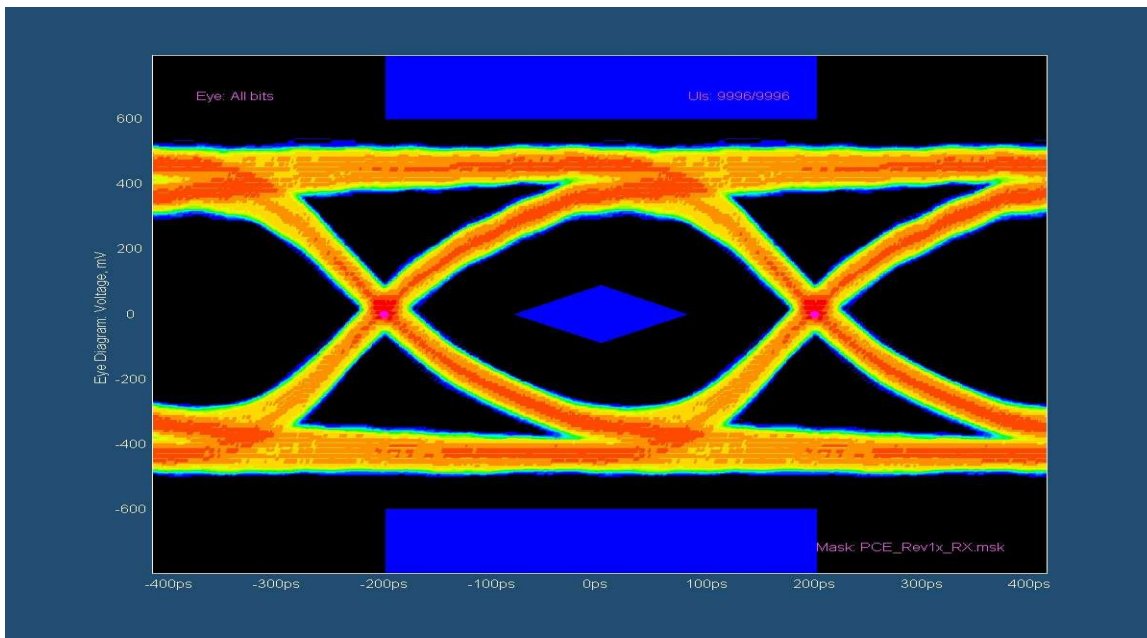


Figure 4. Transitional Signal Eye for TS2PCIE412 Using a 10-inch Trace

TYPICAL PERFORMANCE (continued)

10-inch trace board for real implementation, $V_{DD} = 1.8\text{ V}$, $f = 1.25\text{ GHz}$, transitional signal and non-transitional signal eye from Tektronix TDS6154C and Tektronix RT-Eye = software

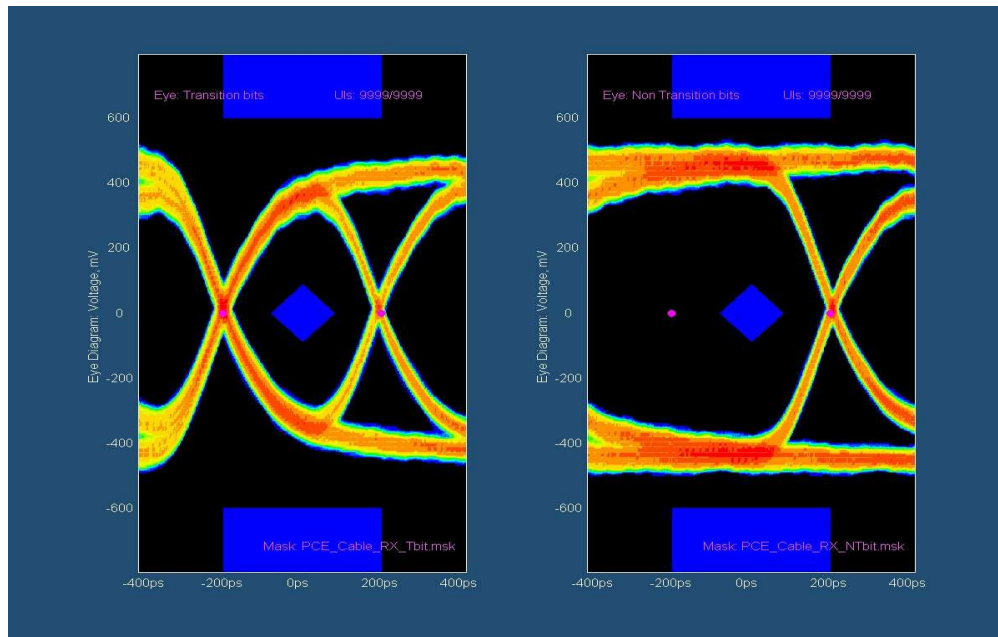
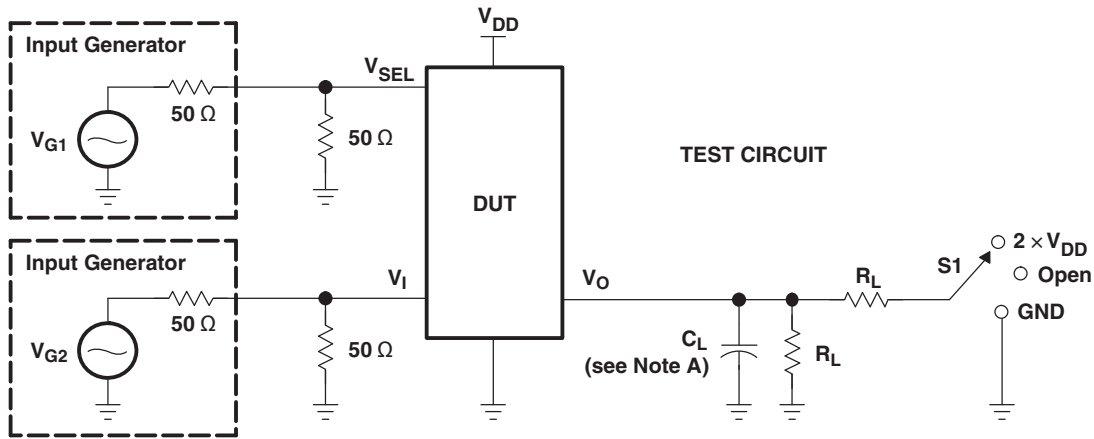
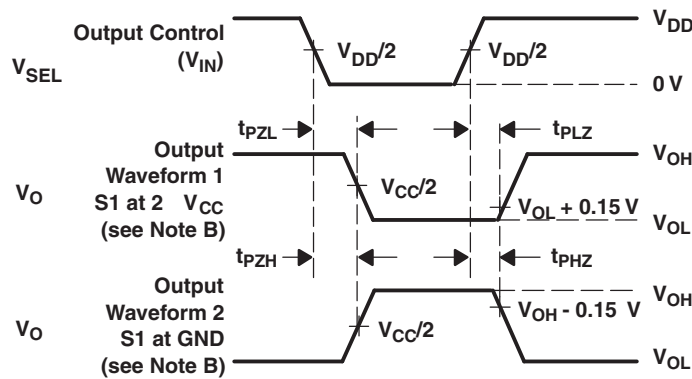


Figure 5. Transitional Signal Eye (Left) and Non-Transitional Signal Eye (Right) for TS2PCIE412 Using a 10-inch Trace

**PARAMETER MEASUREMENT INFORMATION
(Enable and Disable Times)**



TEST	V _{DD}	S1	R _L	V _I	C _L	V _Δ
t _{PLZ} /t _{PZL}	1.5 V to 2 V	2 × V _{DD}	200 Ω	GND	10 pF	0.15 V
t _{PHZ} /t _{PZH}	1.5 V to 2 V	GND	200 Ω	V _{DD}	10 pF	0.15 V

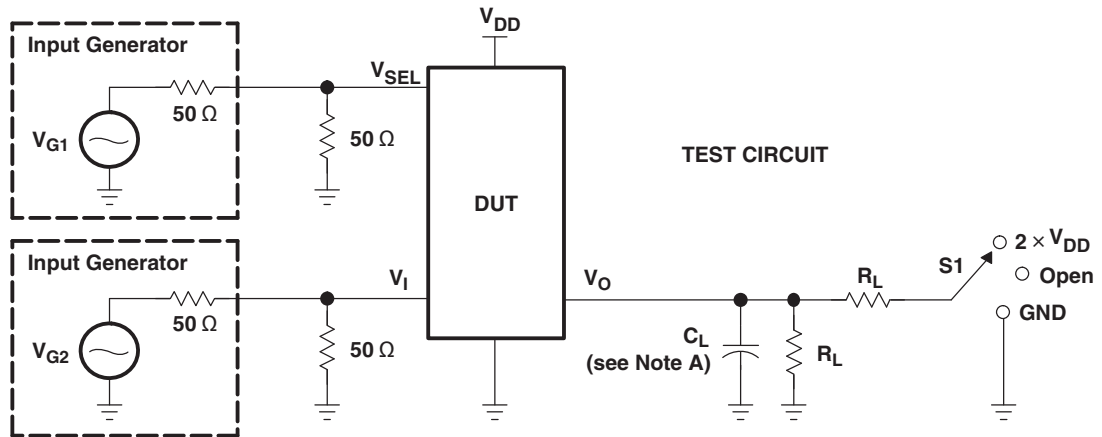


**VOLTAGE WAVEFORMS
ENABLE AND DISABLE TIMES**

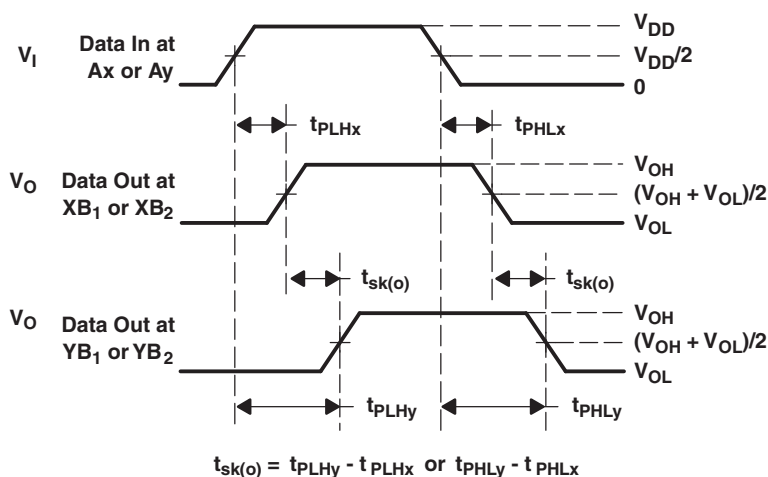
- A. C_L includes probe and jig capacitance.
- B. Waveform 1 is for an output with internal conditions such that the output is low, except when disabled by the output control. Waveform 2 is for an output with internal conditions such that the output is high, except when disabled by the output control.
- C. All input pulses are supplied by generators having the following characteristics: PRR ≤ 10 MHz, Z_O = 50 Ω, t_r ≤ 2.5 ns, t_f ≤ 2.5 ns.
- D. The outputs are measured one at a time, with one transition per measurement.
- E. t_{PLZ} and t_{PHZ} are the same as t_{dis}.
- F. t_{PZL} and t_{PZH} are the same as t_{en}.

Figure 6. Test Circuit and Voltage Waveforms

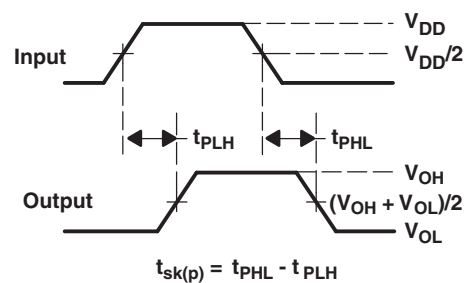
PARAMETER MEASUREMENT INFORMATION
(Skew)



TEST	V _{DD}	S1	R _L	V _{SEL}	C _L
t _{sk(o)}	1.5 V to 2 V	Open	200 Ω	V _{DD} or GND	10 pF
t _{sk(p)}	1.5 V to 2 V	Open	200 Ω	V _{DD} or GND	10 pF



VOLTAGE WAVEFORMS
OUTPUT SKEW [t_{sk(o)}]



VOLTAGE WAVEFORMS
PULSE SKEW [t_{sk(p)}]

- A. C_L includes probe and jig capacitance.
- B. Waveform 1 is for an output with internal conditions such that the output is low, except when disabled by the output control. Waveform 2 is for an output with internal conditions such that the output is high, except when disabled by the output control.
- C. All input pulses are supplied by generators having the following characteristics: PRR ≤ 10 MHz, Z_O = 50 Ω, t_r ≤ 2.5 ns, t_f ≤ 2.5 ns.
- D. The outputs are measured one at a time, with one transition per measurement.

Figure 7. Test Circuit and Voltage Waveforms

PARAMETER MEASUREMENT INFORMATION

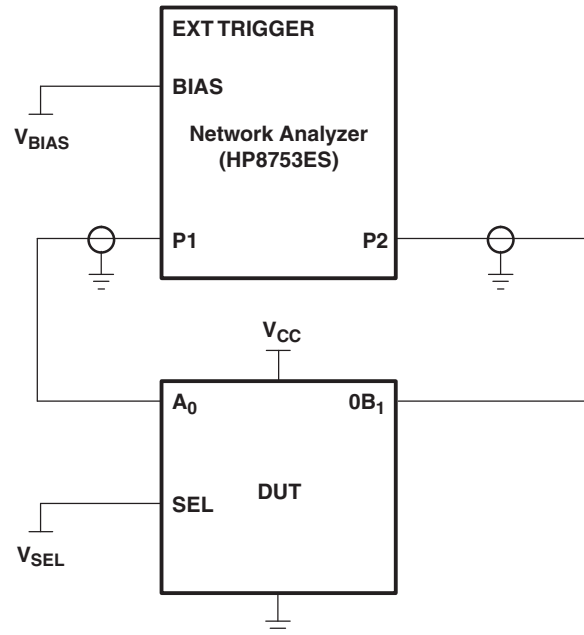


Figure 8. Test Circuit for Frequency Response (BW)

Frequency response is measured at the output of the ON channel. For example, when $V_{SEL} = 0\text{ V}$ and A_0 is the input, the output is measured at $0B_1$. All unused analog I/O ports are left open.

HP8753ES Setup

Average = 4
 RBW = 3 kHz
 $V_{BIAS} = 0.35\text{ V}$
 ST = 2 s
 P1 = 0 dBm

PARAMETER MEASUREMENT INFORMATION (continued)

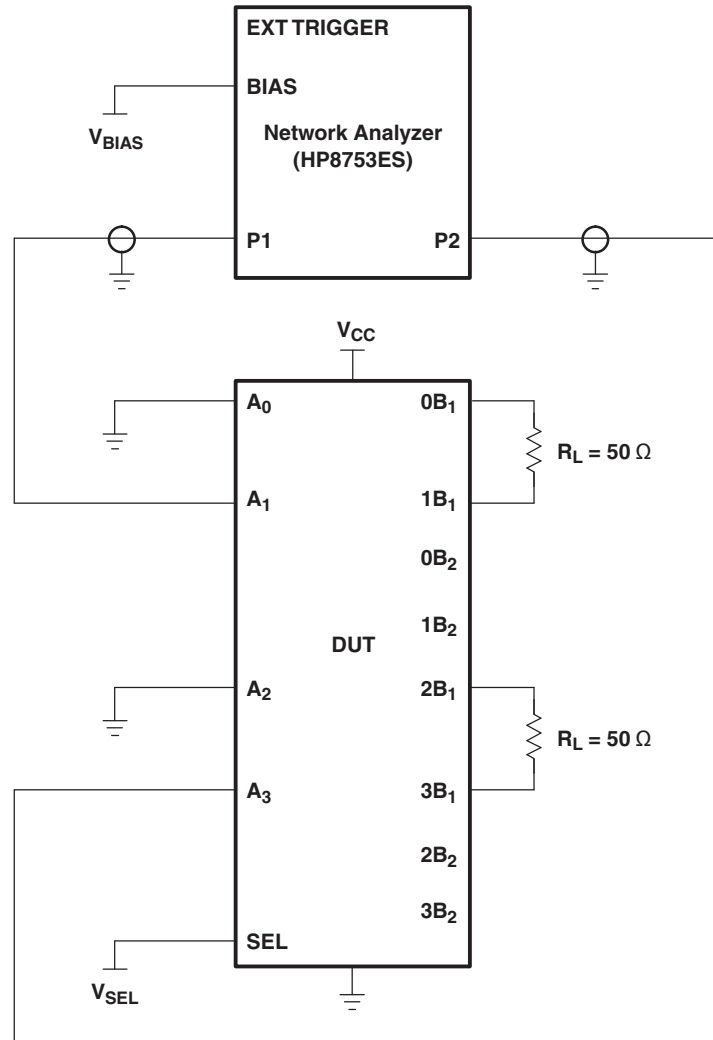


Figure 9. Test Circuit for Crosstalk (X_{TALK})

Crosstalk is measured at the input of the nonadjacent ON channel. For example, when $V_{SEL} = 0$ V and A_1 is the input, the output is measured at A_3 . All unused analog input (A) ports are connected to GND, and output (B) ports are connected to GND through 50- Ω pull-down resistors.

HP8753ES Setup

Average = 4
 RBW = 3 kHz
 $V_{BIAS} = 0.35$ V
 ST = 2 s
 P1 = 0 dBm

PARAMETER MEASUREMENT INFORMATION (continued)

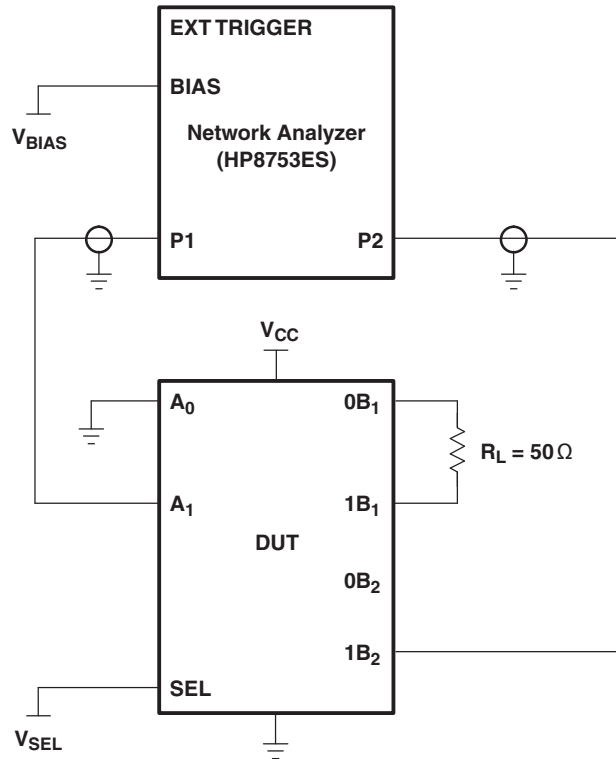


Figure 10. Test Circuit for Off Isolation (O_{IRR})

OFF isolation is measured at the output of the OFF channel. For example, when $V_{SEL} = 0$ V and A_1 is the input, the output is measured at $1B_2$. All unused analog input (A) ports are left open, and output (B) ports are connected to GND through 50- Ω pull-down resistors.

HP8753ES Setup

Average = 4
 RBW = 3 kHz
 $V_{BIAS} = 0.35$ V
 ST = 2 s
 P1 = 0 dBm

PACKAGING INFORMATION

Orderable Device	Status (1)	Package Type	Package Drawing	Pins	Package Qty	Eco Plan (2)	Lead/Ball Finish	MSL Peak Temp (3)	Op Temp (°C)	Top-Side Markings (4)	Samples
TS2PCIE412RUAR	ACTIVE	WQFN	RUA	42	3000	TBD	Call TI	Call TI	-40 to 85	SH412	Samples

(1) The marketing status values are defined as follows:

ACTIVE: Product device recommended for new designs.

LIFEBUY: TI has announced that the device will be discontinued, and a lifetime-buy period is in effect.

NRND: Not recommended for new designs. Device is in production to support existing customers, but TI does not recommend using this part in a new design.

PREVIEW: Device has been announced but is not in production. Samples may or may not be available.

OBSOLETE: TI has discontinued the production of the device.

(2) Eco Plan - The planned eco-friendly classification: Pb-Free (RoHS), Pb-Free (RoHS Exempt), or Green (RoHS & no Sb/Br) - please check <http://www.ti.com/productcontent> for the latest availability information and additional product content details.

TBD: The Pb-Free/Green conversion plan has not been defined.

Pb-Free (RoHS): TI's terms "Lead-Free" or "Pb-Free" mean semiconductor products that are compatible with the current RoHS requirements for all 6 substances, including the requirement that lead not exceed 0.1% by weight in homogeneous materials. Where designed to be soldered at high temperatures, TI Pb-Free products are suitable for use in specified lead-free processes.

Pb-Free (RoHS Exempt): This component has a RoHS exemption for either 1) lead-based flip-chip solder bumps used between the die and package, or 2) lead-based die adhesive used between the die and leadframe. The component is otherwise considered Pb-Free (RoHS compatible) as defined above.

Green (RoHS & no Sb/Br): TI defines "Green" to mean Pb-Free (RoHS compatible), and free of Bromine (Br) and Antimony (Sb) based flame retardants (Br or Sb do not exceed 0.1% by weight in homogeneous material)

(3) MSL, Peak Temp. -- The Moisture Sensitivity Level rating according to the JEDEC industry standard classifications, and peak solder temperature.

(4) Only one of markings shown within the brackets will appear on the physical device.

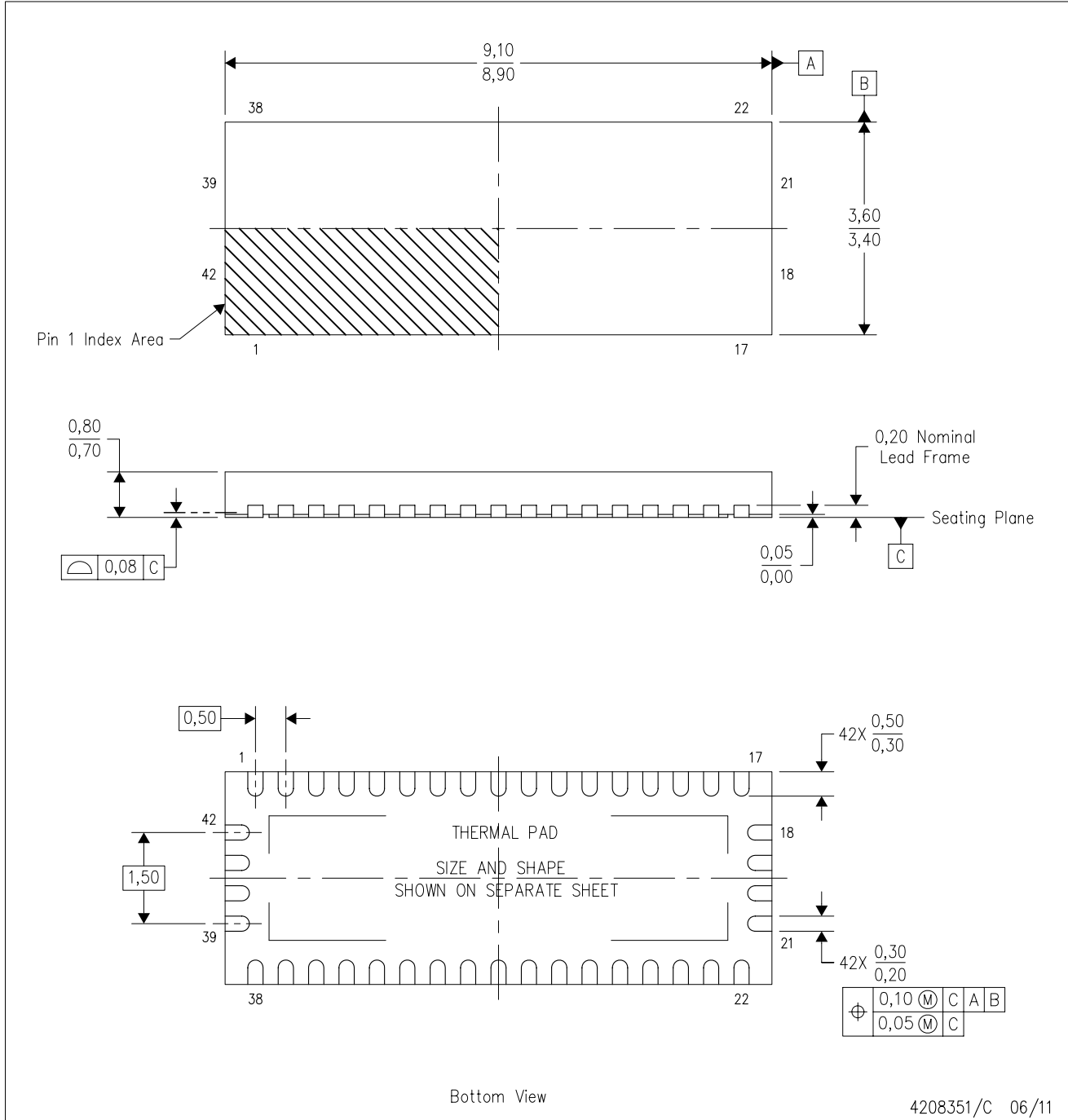
Important Information and Disclaimer: The information provided on this page represents TI's knowledge and belief as of the date that it is provided. TI bases its knowledge and belief on information provided by third parties, and makes no representation or warranty as to the accuracy of such information. Efforts are underway to better integrate information from third parties. TI has taken and continues to take reasonable steps to provide representative and accurate information but may not have conducted destructive testing or chemical analysis on incoming materials and chemicals. TI and TI suppliers consider certain information to be proprietary, and thus CAS numbers and other limited information may not be available for release.

In no event shall TI's liability arising out of such information exceed the total purchase price of the TI part(s) at issue in this document sold by TI to Customer on an annual basis.

MECHANICAL DATA

RUA (R-PWQFN-N42)

PLASTIC QUAD FLATPACK NO-LEAD



- NOTES:
- All linear dimensions are in millimeters. Dimensioning and tolerancing per ASME Y14.5M-1994.
 - This drawing is subject to change without notice.
 - QFN (Quad Flatpack No-Lead) package configuration.
 - The package thermal pad must be soldered to the board for thermal and mechanical performance.
 - See the additional figure in the Product Data Sheet for details regarding the exposed thermal pad features and dimensions.

THERMAL PAD MECHANICAL DATA

RUA (R-PWQFN-N42)

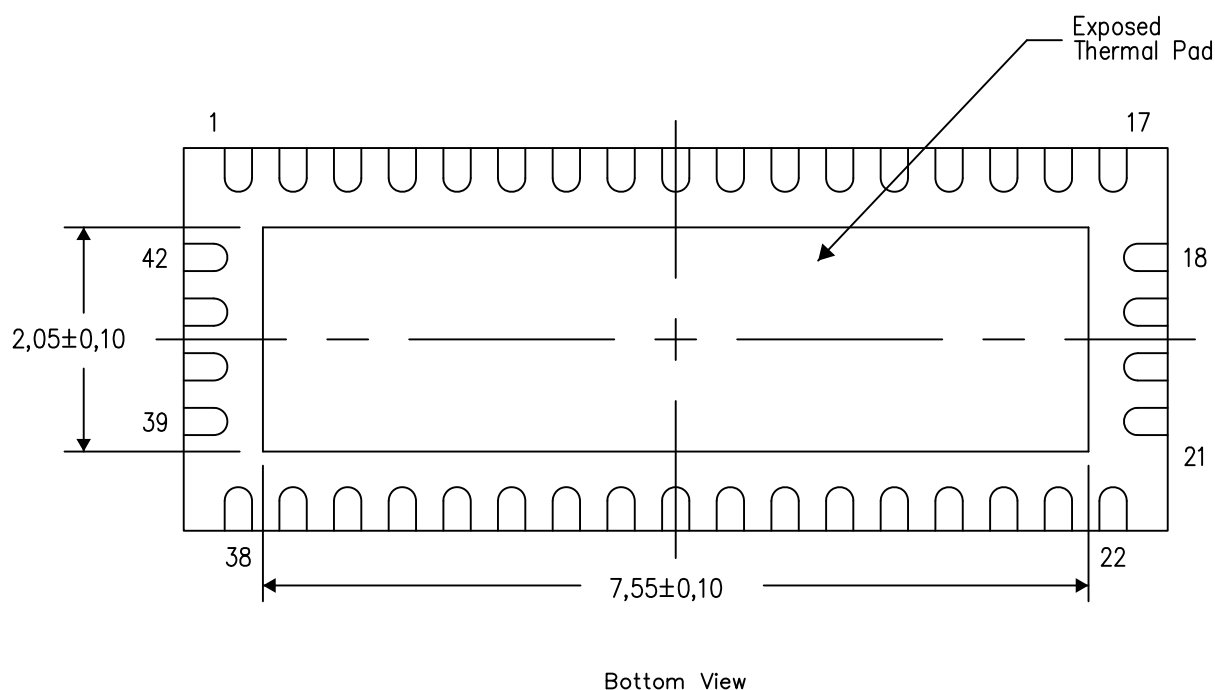
PLASTIC QUAD FLATPACK NO-LEAD

THERMAL INFORMATION

This package incorporates an exposed thermal pad that is designed to be attached directly to an external heatsink. The thermal pad must be soldered directly to the printed circuit board (PCB). After soldering, the PCB can be used as a heatsink. In addition, through the use of thermal vias, the thermal pad can be attached directly to the appropriate copper plane shown in the electrical schematic for the device, or alternatively, can be attached to a special heatsink structure designed into the PCB. This design optimizes the heat transfer from the integrated circuit (IC).

For information on the Quad Flatpack No-Lead (QFN) package and its advantages, refer to Application Report, QFN/SON PCB Attachment, Texas Instruments Literature No. SLUA271. This document is available at www.ti.com.

The exposed thermal pad dimensions for this package are shown in the following illustration.



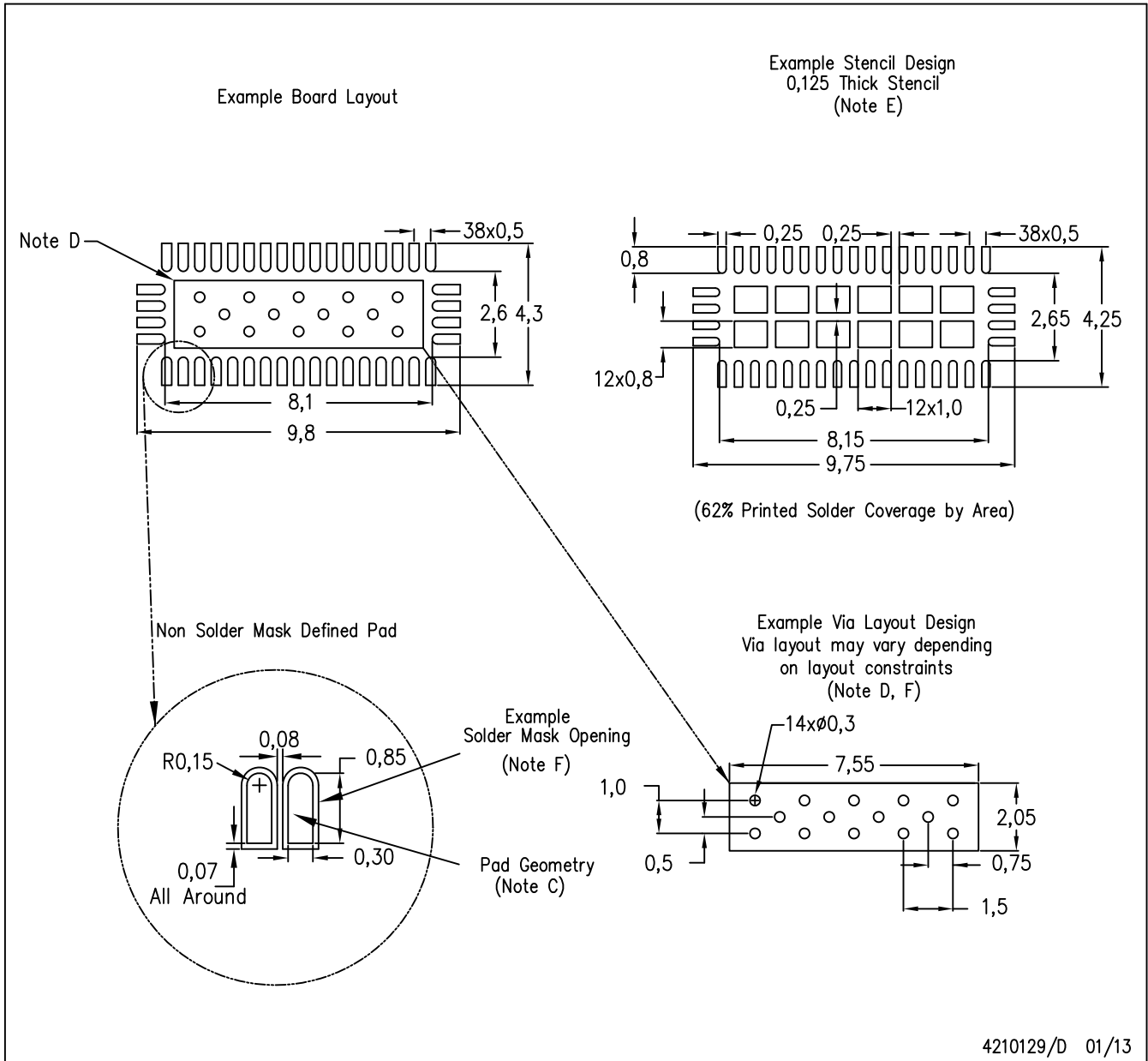
Exposed Thermal Pad Dimensions

4208352/E 01/13

NOTE: All linear dimensions are in millimeters

RUA (R-PWQFN-N42)

PLASTIC QUAD FLATPACK NO-LEAD



- NOTES:
- A. All linear dimensions are in millimeters.
 - B. This drawing is subject to change without notice.
 - C. Publication IPC-7351 is recommended for alternate designs.
 - D. This package is designed to be soldered to a thermal pad on the board. Refer to Application Note, Quad Flat-Pack Packages, Texas Instruments Literature No. SLUA271, and also the Product Data Sheets for specific thermal information, via requirements, and recommended board layout. These documents are available at www.ti.com <<http://www.ti.com>>.
 - E. Laser cutting apertures with trapezoidal walls and also rounding corners will offer better paste release. Customers should contact their board assembly site for stencil design recommendations. Refer to IPC 7525 for stencil design considerations.
 - F. Customers should contact their board fabrication site for recommended solder mask tolerances and via tenting recommendations for vias placed in the thermal pad.

IMPORTANT NOTICE

Texas Instruments Incorporated and its subsidiaries (TI) reserve the right to make corrections, enhancements, improvements and other changes to its semiconductor products and services per JESD46, latest issue, and to discontinue any product or service per JESD48, latest issue. Buyers should obtain the latest relevant information before placing orders and should verify that such information is current and complete. All semiconductor products (also referred to herein as "components") are sold subject to TI's terms and conditions of sale supplied at the time of order acknowledgment.

TI warrants performance of its components to the specifications applicable at the time of sale, in accordance with the warranty in TI's terms and conditions of sale of semiconductor products. Testing and other quality control techniques are used to the extent TI deems necessary to support this warranty. Except where mandated by applicable law, testing of all parameters of each component is not necessarily performed.

TI assumes no liability for applications assistance or the design of Buyers' products. Buyers are responsible for their products and applications using TI components. To minimize the risks associated with Buyers' products and applications, Buyers should provide adequate design and operating safeguards.

TI does not warrant or represent that any license, either express or implied, is granted under any patent right, copyright, mask work right, or other intellectual property right relating to any combination, machine, or process in which TI components or services are used. Information published by TI regarding third-party products or services does not constitute a license to use such products or services or a warranty or endorsement thereof. Use of such information may require a license from a third party under the patents or other intellectual property of the third party, or a license from TI under the patents or other intellectual property of TI.

Reproduction of significant portions of TI information in TI data books or data sheets is permissible only if reproduction is without alteration and is accompanied by all associated warranties, conditions, limitations, and notices. TI is not responsible or liable for such altered documentation. Information of third parties may be subject to additional restrictions.

Resale of TI components or services with statements different from or beyond the parameters stated by TI for that component or service voids all express and any implied warranties for the associated TI component or service and is an unfair and deceptive business practice. TI is not responsible or liable for any such statements.

Buyer acknowledges and agrees that it is solely responsible for compliance with all legal, regulatory and safety-related requirements concerning its products, and any use of TI components in its applications, notwithstanding any applications-related information or support that may be provided by TI. Buyer represents and agrees that it has all the necessary expertise to create and implement safeguards which anticipate dangerous consequences of failures, monitor failures and their consequences, lessen the likelihood of failures that might cause harm and take appropriate remedial actions. Buyer will fully indemnify TI and its representatives against any damages arising out of the use of any TI components in safety-critical applications.

In some cases, TI components may be promoted specifically to facilitate safety-related applications. With such components, TI's goal is to help enable customers to design and create their own end-product solutions that meet applicable functional safety standards and requirements. Nonetheless, such components are subject to these terms.

No TI components are authorized for use in FDA Class III (or similar life-critical medical equipment) unless authorized officers of the parties have executed a special agreement specifically governing such use.

Only those TI components which TI has specifically designated as military grade or "enhanced plastic" are designed and intended for use in military/aerospace applications or environments. Buyer acknowledges and agrees that any military or aerospace use of TI components which have **not** been so designated is solely at the Buyer's risk, and that Buyer is solely responsible for compliance with all legal and regulatory requirements in connection with such use.

TI has specifically designated certain components as meeting ISO/TS16949 requirements, mainly for automotive use. In any case of use of non-designated products, TI will not be responsible for any failure to meet ISO/TS16949.

Products

Audio	www.ti.com/audio
Amplifiers	amplifier.ti.com
Data Converters	dataconverter.ti.com
DLP® Products	www.dlp.com
DSP	dsp.ti.com
Clocks and Timers	www.ti.com/clocks
Interface	interface.ti.com
Logic	logic.ti.com
Power Mgmt	power.ti.com
Microcontrollers	microcontroller.ti.com
RFID	www.ti-rfid.com
OMAP Applications Processors	www.ti.com/omap
Wireless Connectivity	www.ti.com/wirelessconnectivity

Applications

Automotive and Transportation	www.ti.com/automotive
Communications and Telecom	www.ti.com/communications
Computers and Peripherals	www.ti.com/computers
Consumer Electronics	www.ti.com/consumer-apps
Energy and Lighting	www.ti.com/energy
Industrial	www.ti.com/industrial
Medical	www.ti.com/medical
Security	www.ti.com/security
Space, Avionics and Defense	www.ti.com/space-avionics-defense
Video and Imaging	www.ti.com/video

TI E2E Community

e2e.ti.com