

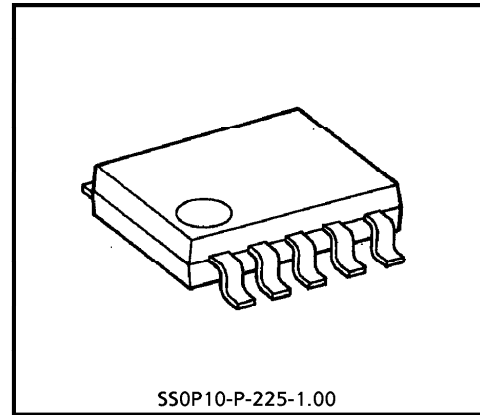
# TPD1018F

## HIGH-SIDE POWER SWITCH for MOTORS, SOLENOIDS, and LAMP DRIVERS

TPD1018F is a monolithic power IC for high-side switches. The IC has a vertical MOS FET output which can be directly driven from a CMOS or TTL logic circuit (eg, an MPU). The device offers intelligent self-protection and diagnostic functions.

### FEATURES

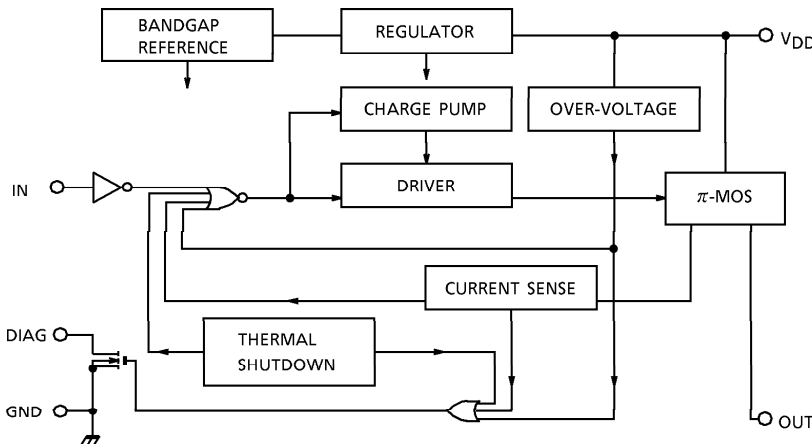
- A monolithic power IC with a new structure combining a control block (Bi-CMOS) and a vertical power MOS FET ( $\pi$ -MOS) on a single chip.
- One side of load can be grounded to a high-side switch.
- Can directly drive a power load from a microprocessor.
- Built-in protection against overvoltage, overheating, and load short circuiting
- Incorporates a diagnosis function that allows diagnosis output to be read externally at load short circuiting, overvoltage, or overheating.
- Low on resistance :  $R_{DS(ON)} = 0.8\Omega$  (Max)
- Low operating current:  $I_{DD} = 120\mu A$  (Typ.), @  $V_{DD} = 13.2V$ ,  $V_{IN} = 0$
- 10-pin SSOP package for surface mounting.



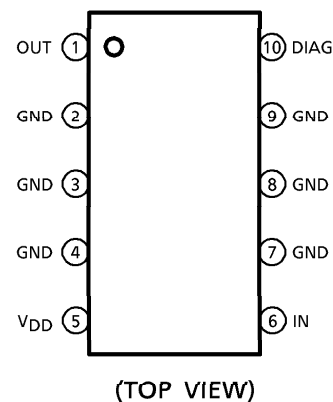
SSOP10-P-225-1.00

Weight : 0.08g (Typ.)

### BLOCK DIAGRAM



### PIN ASSIGNMENT



(Note) That because of its MOS structure, this product is sensitive to static electricity.

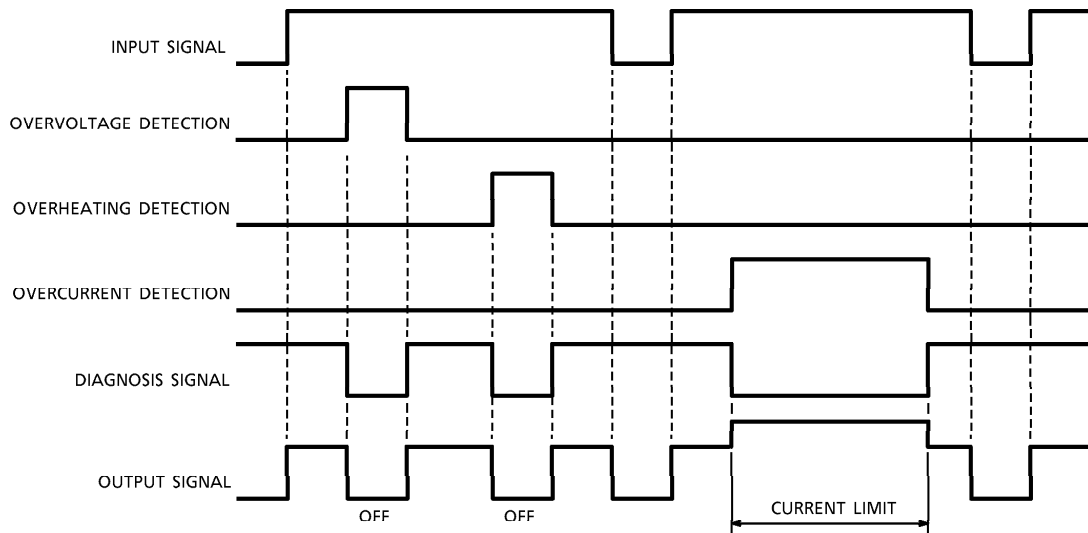
961001EBA2

- TOSHIBA is continually working to improve the quality and the reliability of its products. Nevertheless, semiconductor devices in general can malfunction or fail due to their inherent electrical sensitivity and vulnerability to physical stress. It is the responsibility of the buyer, when utilizing TOSHIBA products, to observe standards of safety, and to avoid situations in which a malfunction or failure of a TOSHIBA product could cause loss of human life, bodily injury or damage to property. In developing your designs, please ensure that TOSHIBA products are used within specified operating ranges as set forth in the most recent products specifications. Also, please keep in mind the precautions and conditions set forth in the TOSHIBA Semiconductor Reliability Handbook.
- The products described in this document are subject to foreign exchange and foreign trade control laws.
- The information contained herein is presented only as a guide for the applications of our products. No responsibility is assumed by TOSHIBA CORPORATION for any infringements of intellectual property or other rights of the third parties which may result from its use. No license is granted by implication or otherwise under any intellectual property or other rights of TOSHIBA CORPORATION or others.
- The information contained herein is subject to change without notice.

**PIN DESCRIPTION**

PIN No.	SYMBOL	FUNCTION
1	OUT	Output pin. When the load is short circuited and current in excess of the detection current (0.5A min) flows to the output pin, the current limiter operates to protect the IC.
2, 3, 4	GND	Ground pins.
5	V <sub>DD</sub>	Power pin. Incorporates an overvoltage protection function which turns off the output when the voltage applied exceeds 25V (min). Protects IC and load. Incorporates 2V (typ) hysteresis.
6	IN	Input is CMOS-compatible, with pull-down resistor connected. Even if the input is open, output will not accidentally turn on.
7, 8, 9	GND	Ground pins.
10	DIAG	Self-diagnosis detection pin. Goes low when overcurrent, overheating, or overvoltage is detected. N-channel open drain.

**TIMING CHART**



**TRUTH TABLE**

INPUT SIGNAL	OUTPUT SIGNAL	DIAGNOSIS OUTPUT	STATE
H	H	H	Normal
L	L	H	
H	L	L	Load short circuited
L	L	H	
H	L	L	Overheating
L	L	H	
H	L	L	Overvoltage
L	L	H	

**MAXIMUM RATINGS (Ta = 25°C)**

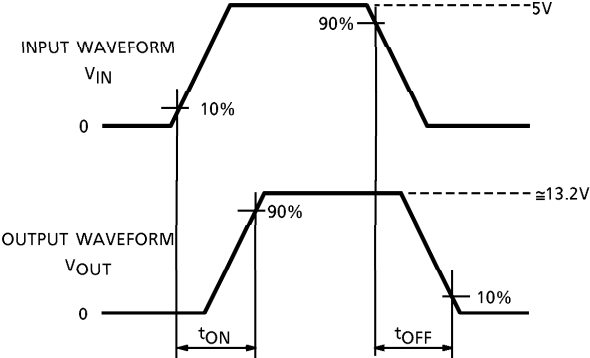
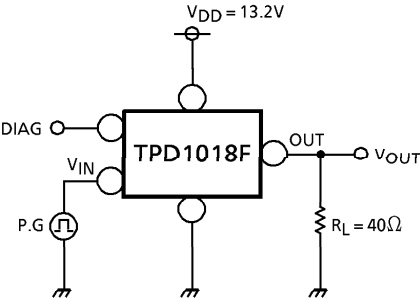
CHARACTERISTIC		SYMBOL	RATING	UNIT
Drain-source Voltage		V <sub>DS</sub>	60	V
Supply Voltage	DC	V <sub>DD</sub> (1)	25	V
	Pulse	V <sub>DD</sub> (2)	60 (Rs = 1Ω, τ = 250ms)	V
Input Voltage	DC	V <sub>IN</sub> (1)	- 0.5~25	V
	Pulse	V <sub>IN</sub> (2)	V <sub>DD</sub> (1) + 1.5 (t = 100ms)	V
Output Current		I <sub>O</sub>	0.5	A
Input Current		I <sub>IN</sub>	± 10	mA
Power Dissipation	Ta = 25°C	P <sub>D</sub>	300	mW
Operating Temperature		T <sub>opr</sub>	- 40~125	°C
Junction Temperature		T <sub>j</sub>	150	°C
Storage Temperature		T <sub>stg</sub>	- 55~150	°C

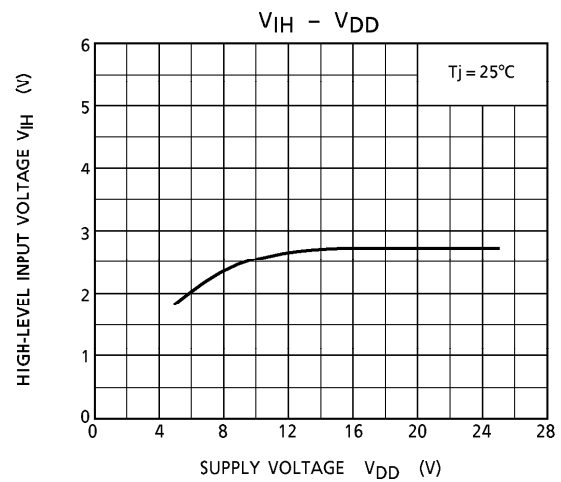
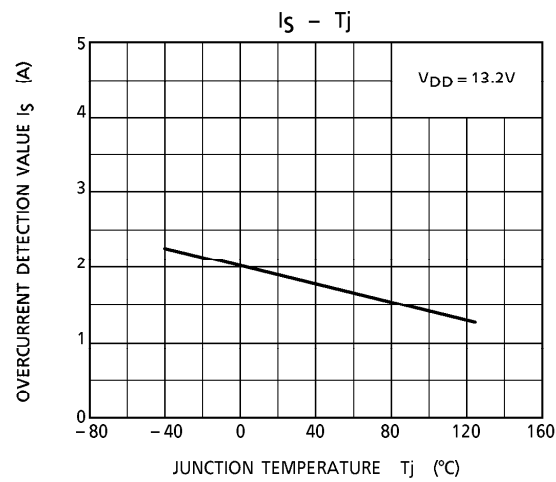
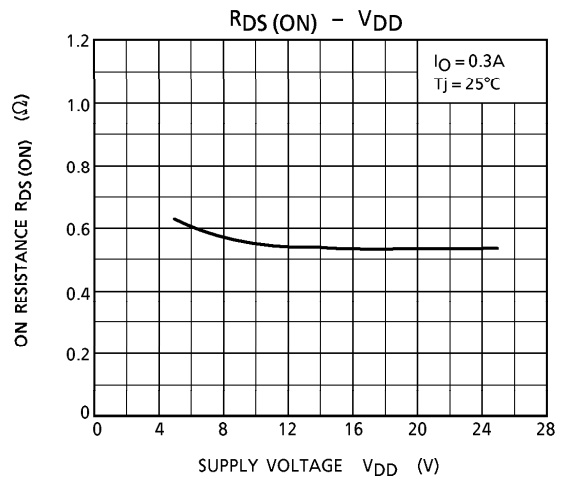
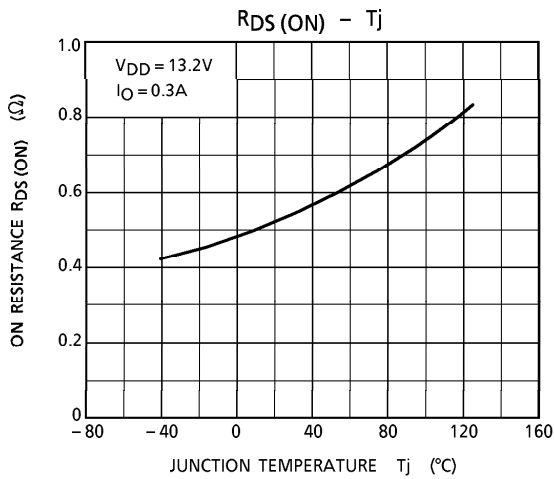
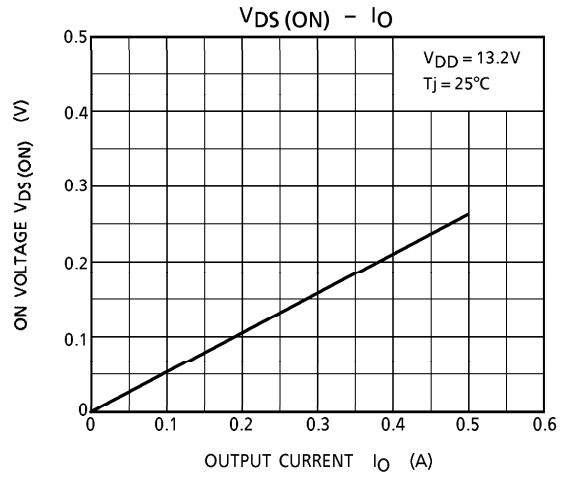
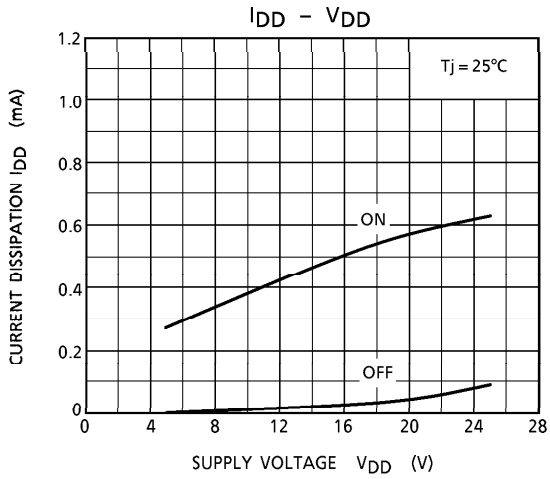
**ELECTRICAL CHARACTERISTICS (Tj = - 40~125°C)**

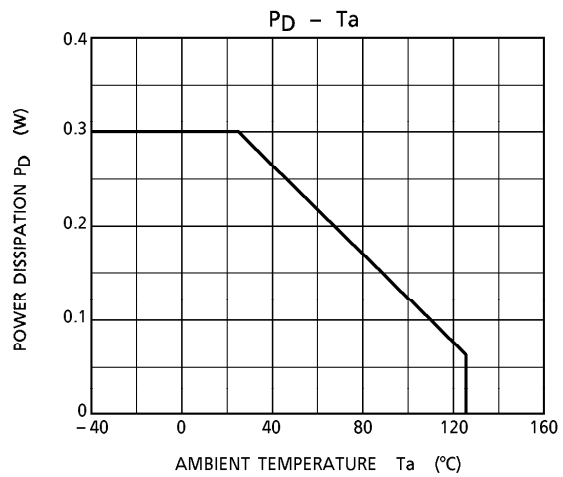
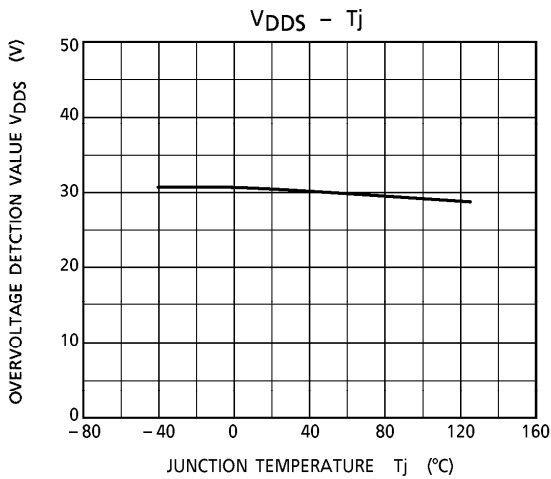
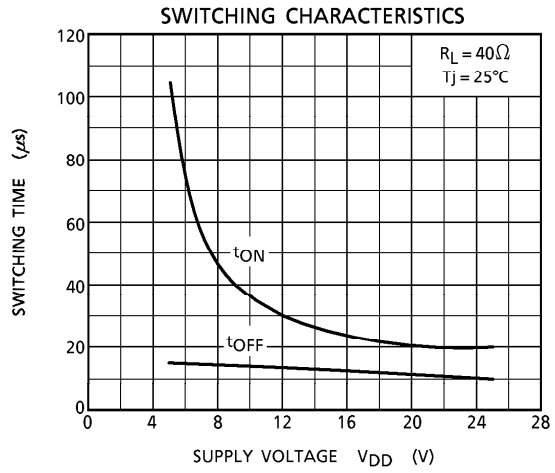
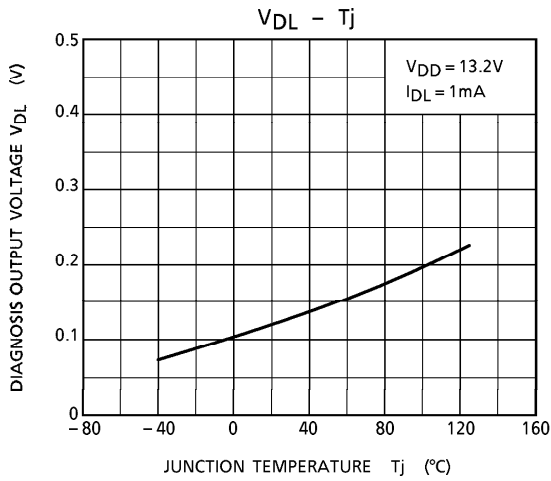
CHARACTERISTIC		SYMBOL	TEST CIRCUIT	TEST CONDITION	MIN	TYP.	MAX	UNIT
Operating Supply Voltage		V <sub>DD</sub> (OPR)	—	—	5	12	25	V
Current Dissipation		I <sub>DD</sub> (1)	—	V <sub>DD</sub> = 13.2V, V <sub>IN</sub> = 0, Tj = 85°C	—	120	300	μA
		I <sub>DD</sub> (2)	—	V <sub>DD</sub> = 13.2V, V <sub>IN</sub> = 5V	—	1	1.5	mA
Input Voltage		V <sub>IH</sub>	—	V <sub>DD</sub> = 13.2V, I <sub>O</sub> = 300mA	3.5	—	—	V
		V <sub>IL</sub>	—	V <sub>DD</sub> = 13.2V, I <sub>O</sub> = 100μA	—	—	1.5	V
Input Current		I <sub>IN</sub> (1)	—	V <sub>DD</sub> = 13.2V, V <sub>IN</sub> = 5V	—	10	100	μA
		I <sub>IN</sub> (2)	—	V <sub>DD</sub> = 13.2V, V <sub>IN</sub> = 0	- 0.2	—	0.2	μA
On Voltage		V <sub>DS</sub> (ON)	—	V <sub>DD</sub> = 13.2V, I <sub>O</sub> = 300mA, Tj = 25°C	—	0.21	0.24	V
On Resistance		R <sub>DS</sub> (ON)(1)	—	V <sub>DD</sub> = 13.2V, I <sub>O</sub> = 300mA, Tj = 25°C	—	0.7	0.8	Ω
		R <sub>DS</sub> (ON)(2)	—	V <sub>DD</sub> = 13.2V, I <sub>O</sub> = 300mA, Tj = - 40~85°C	—	—	1.2	Ω
Diagnosis Output Voltage	"L" Level	V <sub>DL</sub>	—	V <sub>DD</sub> = 13.2V, I <sub>DL</sub> = 1mA	—	—	0.4	V
Diagnosis Output Current	"H" Level	I <sub>DH</sub>	—	V <sub>DD</sub> = 25V, I <sub>DH</sub> = 25V	—	—	10	μA
Output Leakage Current		I <sub>OL</sub>	—	V <sub>DD</sub> = 25V, V <sub>IN</sub> = 0	—	—	100	μA
Overcurrent Protection		I <sub>S</sub>	—	V <sub>DD</sub> = 13.2V, Tj = 25°C	0.5	—	3	A
Overheating Protection	Temperature	T <sub>S</sub>	—	—	150	160	200	°C
	Hysteresis	ΔT <sub>S</sub>	—	—	—	20	50	°C
Overvoltage Protection	Voltage	V <sub>DDS</sub>	—	—	25	—	—	V
	Hysteresis	ΔV <sub>DDS</sub>	—	—	—	2	7	V
Switching Time	t <sub>ON</sub>		1	V <sub>DD</sub> = 13.2V, R <sub>L</sub> = 40Ω, Tj = 25°C	—	50	—	μs
	t <sub>OFF</sub>				—	10	—	μs

TEST CIRCUIT 1

Switching Time





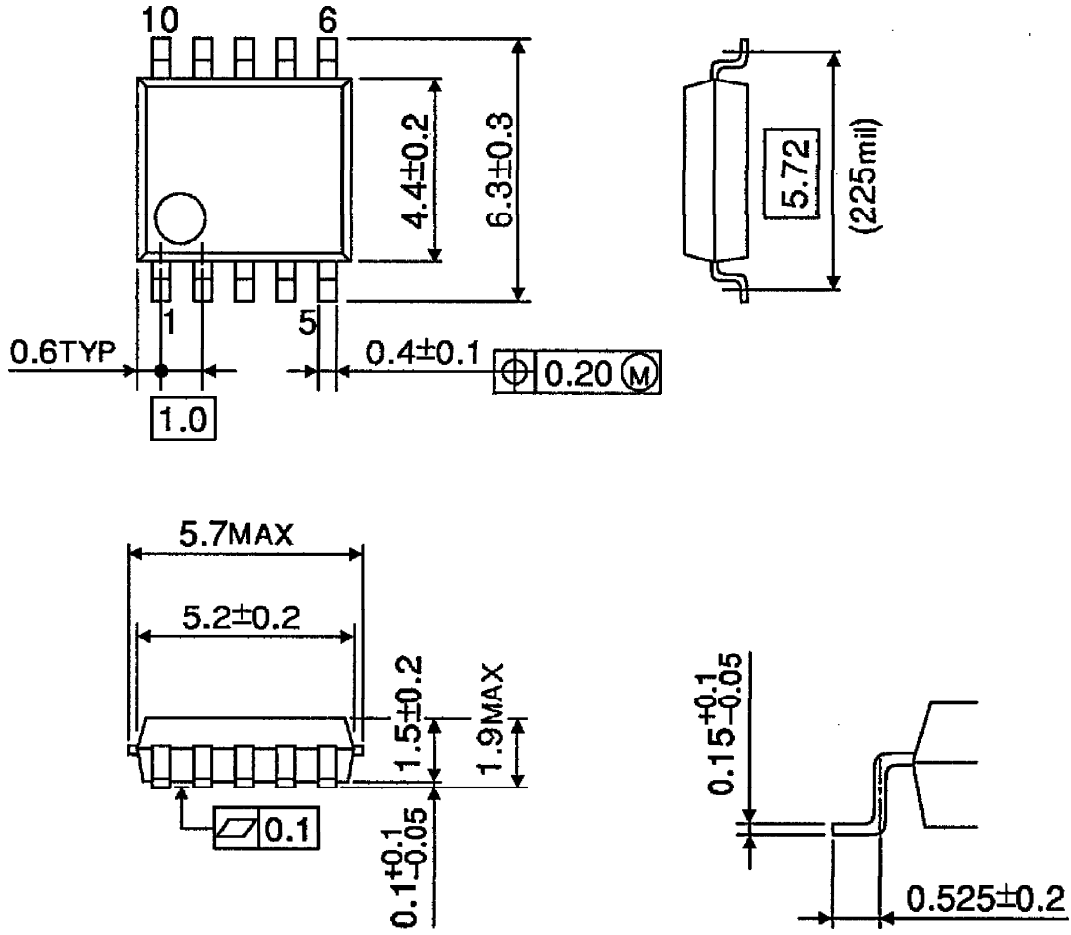


**PRECAUTION:**

1. Since protection for, for example, reverse connection of the battery is not incorporated, provide protection using external circuits.
2. Since a negative bias protection circuit for the output pin is not incorporated, when negative bias is applied to the output pin, connect a freewheeling diode (FWD) between OUT and GND.

OUTLINE DRAWING  
SSOP10-P-225-1.00

Unit : mm



Weight : 0.08g (Typ.)