

TG2214S

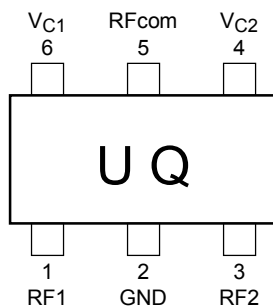
RF SPDT Switch

Antenna switch for Bluetooth class 2, 3
 Diversity antenna switching
 Filter switching for mobile communication
 Local signal switching

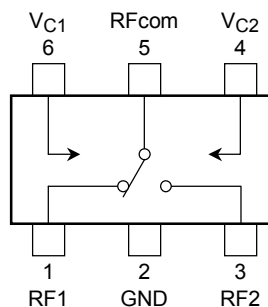
Features

- Low insertion Loss: $L_{OSS} = 0.35\text{dB (typ.) @1.0 GHz}$
 $= 0.45\text{dB (typ.) @2.5 GHz}$
- High isolation: $ISL = 24\text{dB (typ.) @1.0 GHz}$
 $= 22\text{dB (typ.) @2.5 GHz}$
- Low voltage operation: $V_{CON} = 0 \text{ V}/2.7 \text{ V}$
- Small package: sES6 package ($1.5 \times 1.5 \times 0.52 \text{ mm}$)

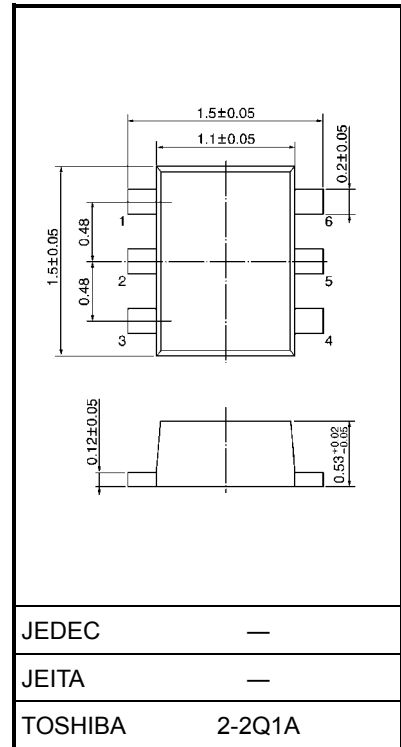
Pin Assignment, Marking (top view)



Block Diagram



Unit: mm



Weight: 2.1 mg (typ.)

Maximum Ratings (Ta = 25°C)

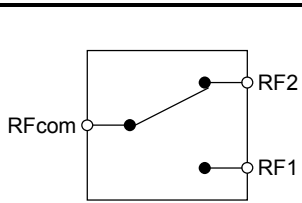
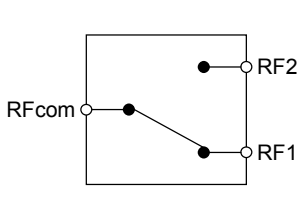
Characteristics	Symbol	Rating	Unit
Control voltage	V_{C1}	6	V
	V_{C2}	6	
Input power	P_i	200	mW
Total power dissipation	P_D (Note)	100	mW
Operating temperature range	T_{opr}	-40 to 85	°C
Storage temperature range	T_{stg}	-55 to 125	°C

Note: When mounted on the glass epoxy of $2.5 \text{ cm}^2 \times 1.6 \text{ t}$

Electrical Characteristics ($V_{CON(Hi)} = 2.7\text{ V}$, $V_{CON(LO)} = 0\text{ V}$, $T_a = 25^\circ\text{C}$, $Z_g = Z_l = 50\ \Omega$)

Characteristics	Symbol	Test Circuit	Test Condition	Min	Typ.	Max	Unit
Insertion loss	LOSS (1)	1	$f = 1.0\text{ GHz}$, $P_i = 0\text{ dBmW}$	—	0.35	0.65	dB
	LOSS (2)	1	$f = 2.0\text{ GHz}$, $P_i = 0\text{ dBmW}$	—	0.40	0.70	
	LOSS (3)	1	$f = 2.5\text{ GHz}$, $P_i = 0\text{ dBmW}$	—	0.45	0.75	
Isolation	ISL (1)	1	$f = 1.0\text{ GHz}$, $P_i = 0\text{ dBmW}$	20	24	—	dB
	ISL (2)	1	$f = 2.0\text{ GHz}$, $P_i = 0\text{ dBmW}$	20	24	—	
	ISL (3)	1	$f = 2.5\text{ GHz}$, $P_i = 0\text{ dBmW}$	18	22	—	
Input power at 1dB gain compression	P_{i1dB}	1	$f = 2.5\text{ GHz}$	12	17	—	dBmW
Control current	I_{CON}	—	no RF signal input	—	—	0.01	mA
Switching time	t_{sw}	1		—	50	200	ns

Switch Connection

V_{C1}	V_{C2}	Switch Condition	RFcom – RF1	RFcom – RF2
Hi	Low		OFF	ON
Low	Hi		ON	OFF

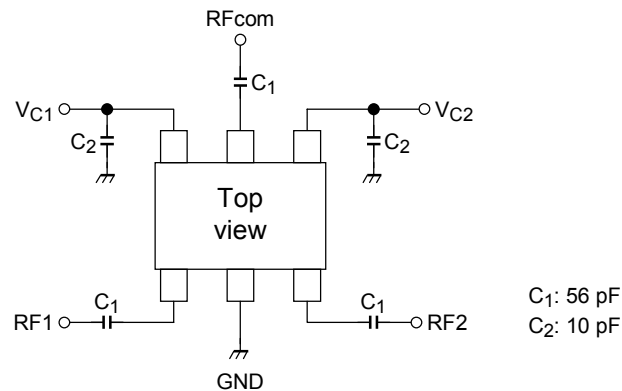
Caution

This device is sensitive to electrostatic discharge. When using this device, please ensure that all tools and equipment are earthed.

Pin Information

Pin	Symbol	Description
1	RF1	RF port. When $V_{C1} = \text{Lo}$ and $V_{C2} = \text{Hi}$, this port is connected to RFcom. An external DC blocking capacitor (C_1) is required for internal DC bias blocking.
2	GND	GND port. The distance between this pin and ground pattern should be as short as possible for RF performance.
3	RF2	RF port. When $V_{C1} = \text{Hi}$ and $V_{C2} = \text{Lo}$, this port is connected to RFcom. An external DC blocking capacitor (C_1) is required for internal DC bias blocking.
4	V_{C2}	Control port. Switching operation is controlled by the voltage of this port. The bypass capacitor (C_2) is required.
5	RFcom	Common RF port. Switching this port to RF1 or RF2 is controlled by " V_{C1} " and " V_{C2} " voltage. An external DC blocking capacitor (C_1) is required for internal DC bias blocking.
6	V_{C1}	Control port. Switching operation is controlled by the voltage of this port. The bypass capacitor (C_2) is required.

Test Circuit 1 (RF Test Circuit)

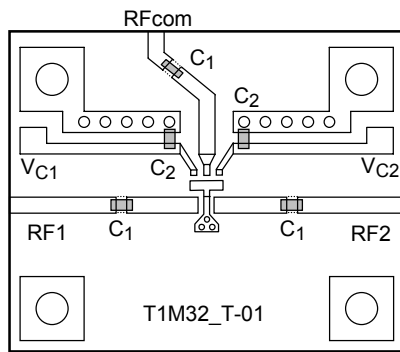


The values of capacitors depends on the application frequency range and the board pattern layout. Board design and external components should be considered this. Please refer to the Recommend External Parts Table below.

Reference External Parts

	50 MHz to 300 MHz	300 MHz to 500 MHz	0.5 GHz to 2.5 GHz
C_1	1000 pF	100 pF	56 pF
C_2	100 pF	10 pF	10 pF

Test Board



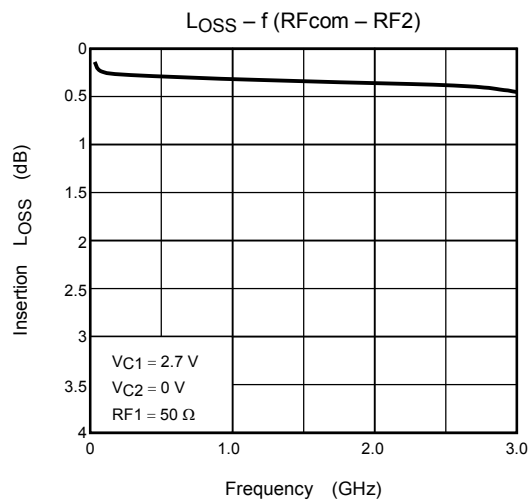
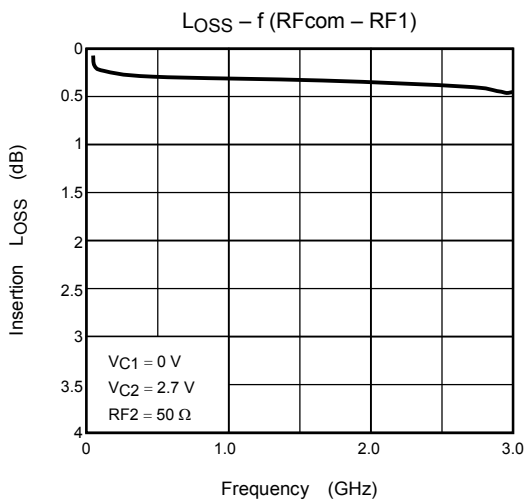
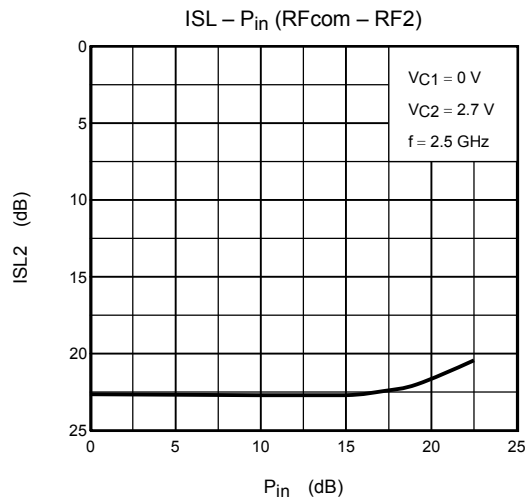
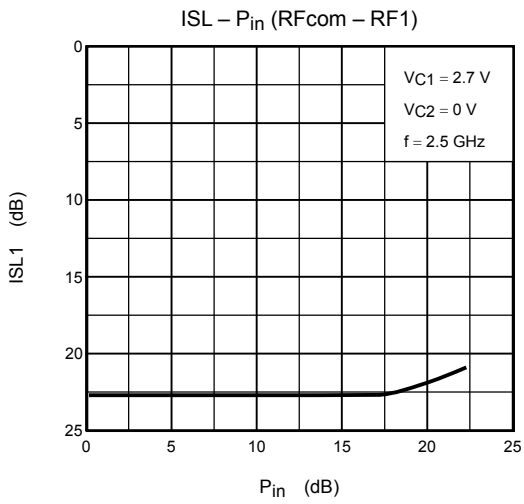
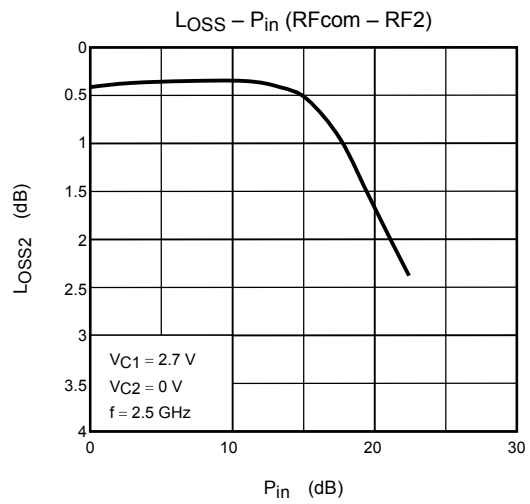
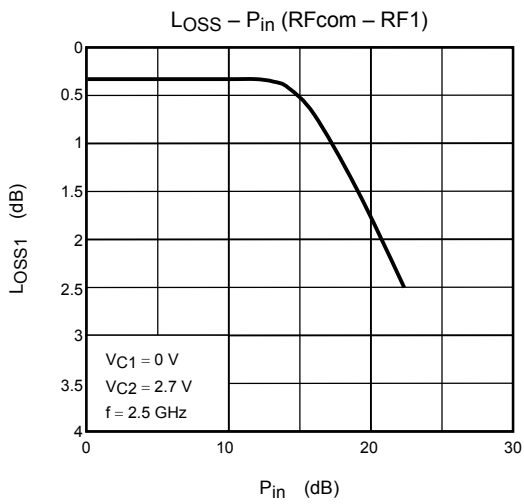
Notice

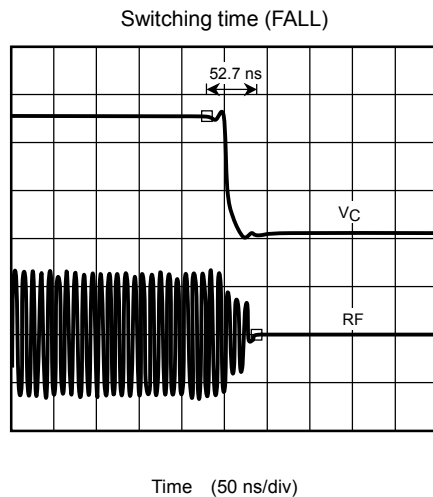
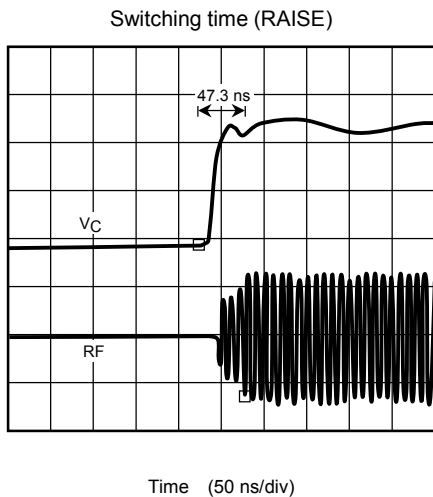
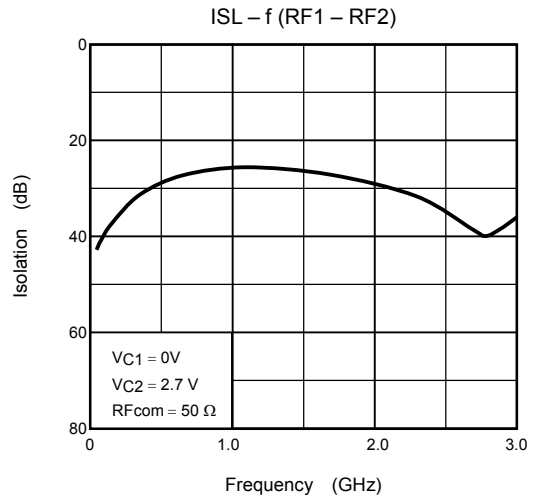
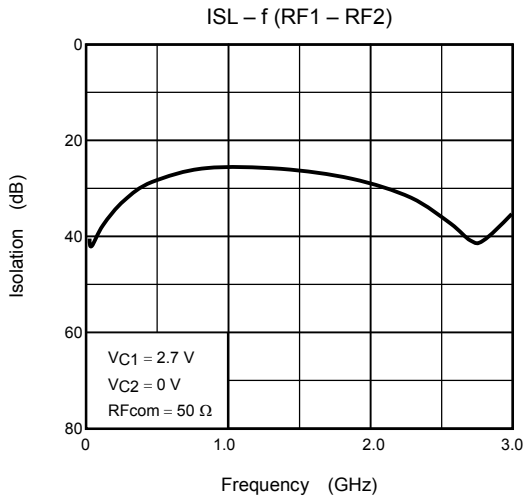
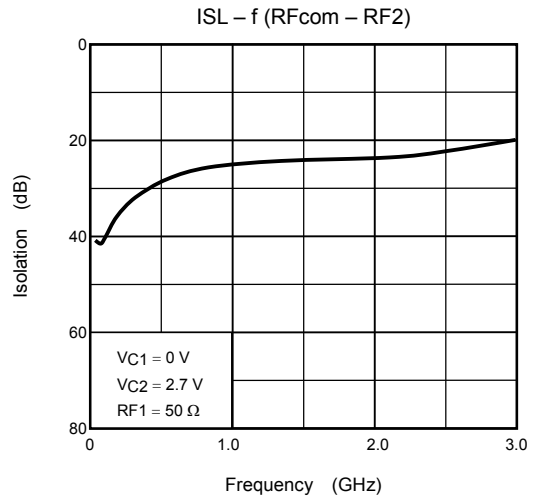
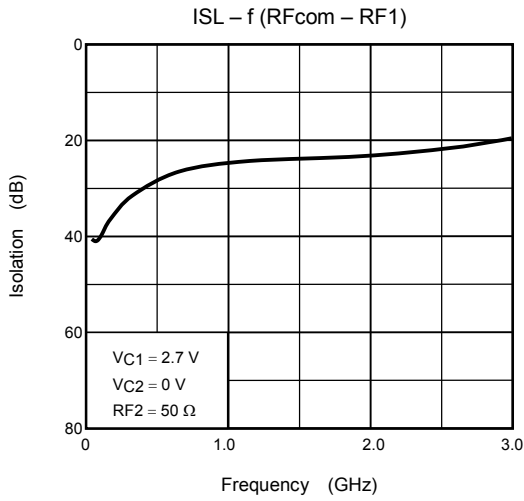
The circuits and measurements contained in this document are given only in the context of as examples of applications for these products.

Moreover, these example application circuits are not intended for mass production, since the high-frequency characteristics (the AC characteristics) of these devices will be affected by the external components which the customer uses, by the design of the circuit and by various other conditions.

It is the responsibility of the customer to design external circuits which correctly implement the intended application, and to check the characteristics of the design.

TOSHIBA assume no responsibility for the integrity of customer circuit designs or applications.





RESTRICTIONS ON PRODUCT USE

020704EAC

- TOSHIBA is continually working to improve the quality and reliability of its products. Nevertheless, semiconductor devices in general can malfunction or fail due to their inherent electrical sensitivity and vulnerability to physical stress. It is the responsibility of the buyer, when utilizing TOSHIBA products, to comply with the standards of safety in making a safe design for the entire system, and to avoid situations in which a malfunction or failure of such TOSHIBA products could cause loss of human life, bodily injury or damage to property.
In developing your designs, please ensure that TOSHIBA products are used within specified operating ranges as set forth in the most recent TOSHIBA products specifications. Also, please keep in mind the precautions and conditions set forth in the "Handling Guide for Semiconductor Devices," or "TOSHIBA Semiconductor Reliability Handbook" etc..
- The TOSHIBA products listed in this document are intended for usage in general electronics applications (computer, personal equipment, office equipment, measuring equipment, industrial robotics, domestic appliances, etc.). These TOSHIBA products are neither intended nor warranted for usage in equipment that requires extraordinarily high quality and/or reliability or a malfunction or failure of which may cause loss of human life or bodily injury ("Unintended Usage"). Unintended Usage include atomic energy control instruments, airplane or spaceship instruments, transportation instruments, traffic signal instruments, combustion control instruments, medical instruments, all types of safety devices, etc.. Unintended Usage of TOSHIBA products listed in this document shall be made at the customer's own risk.
- Gallium Arsenide (GaAs) is a substance used in the products described in this document. GaAs dust or vapor is harmful to the human body. Do not break , cut, crush or dissolve chemically.
- The information contained herein is presented only as a guide for the applications of our products. No responsibility is assumed by TOSHIBA CORPORATION for any infringements of intellectual property or other rights of the third parties which may result from its use. No license is granted by implication or otherwise under any intellectual property or other rights of TOSHIBA CORPORATION or others.
- The information contained herein is subject to change without notice.