

TOSHIBA CMOS DIGITAL INTEGRATED CIRCUIT SILICON MONOLITHIC

TC74HC40102AP, TC74HC40102AF
TC74HC40103AP, TC74HC40103AF

TC74HC40102AP/AF DUAL BCD PROGRAMMABLE DOWN COUNTER
TC74HC40103AP/AF 8-BIT BINARY PROGRAMMABLE DOWN COUNTER

The TC74HC40102A and TC74HC40103A are high speed CMOS PROGRAMMABLE DOWN COUNTERS fabricated with silicon gate C²MOS technology.

They achieve the high speed operation similar to equivalent LSTTL while maintaining the CMOS low power dissipation.

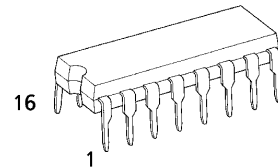
The output terminal ($\overline{CO}/\overline{ZD}$) goes to an active low state when the down count reaches zero. Since the TC74HC40102A is designed as a BCD counter, programming up to 99 counts is possible. The TC74HC40103A, with its 8-bit binary construction, can be set to provide up to 255 counts.

Both devices have Inhibit Clock ($\overline{CI}/\overline{CE}$), Asynchronous Preset Control (\overline{APE}), Synchronous Preset (\overline{SPE}) and Clear Control (\overline{CLR}) inputs for setting the counter to the maximum counting mode.

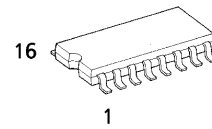
All inputs are equipped with protection circuits against static discharge or transient excess voltage.

FEATURES :

- High Speed..... $f_{MAX} = 40\text{MHz}(\text{typ.})$ at $V_{CC} = 5\text{V}$
- Low Power Dissipation..... $I_{CC} = 4\mu\text{A}(\text{Max.})$ at $T_a = 25^\circ\text{C}$
- High Noise Immunity..... $V_{NIH} = V_{NIL} = 28\% V_{CC} (\text{Min.})$
- Output Drive Capability 10 LSTTL Loads
- Symmetrical Output Impedance... $|I_{OH}| = I_{OL} = 4\text{mA}(\text{Min.})$
- Balanced Propagation Delays..... $t_{PLH} \approx t_{PHL}$
- Wide Operating Voltage Range... $V_{CC} (\text{opr.}) = 2\text{V} \sim 6\text{V}$
- Pin and Function Compatible with 40102B, 40103B

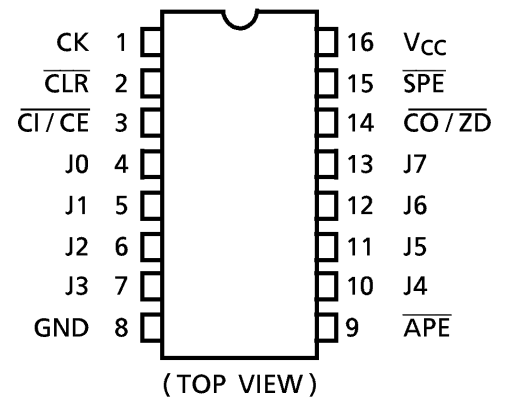


P (DIP16-P-300-2.54A)
Weight : 1.00g (Typ.)



F (SOP16-P-300-1.27)
Weight : 0.18g (Typ.)

PIN ASSIGNMENT



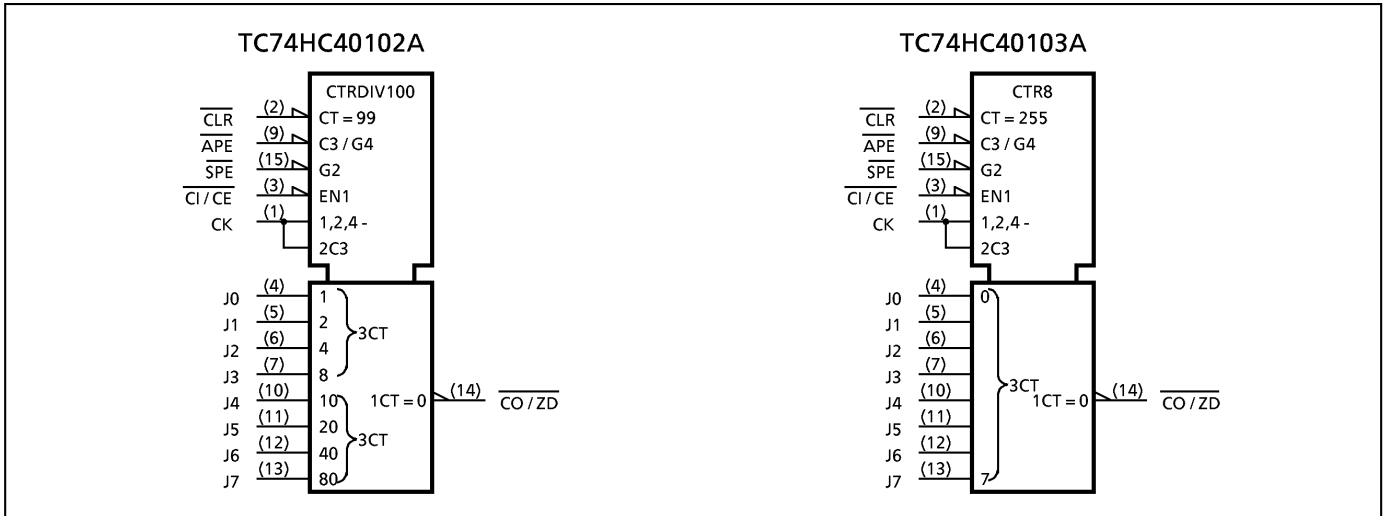
TRUTH TABLE

CONTROL INPUT				MODE	FUNCTIONAL DESCRIPTION
CLR	APE	SPE	CI/CE		
H	H	H	H	Count inhibit	Count is inhibited regardless of other inputs.
H	H	H	L	Regular count	Down count on the rising edge of CK
H	H	L	X	Synchronous Preset	Input data is preset on the rising edge of CK
H	L	X	X	Asynchronous Preset	Input data is asynchronously preset to CK
L	X	X	X	Clear	Counter is set to maximum count.

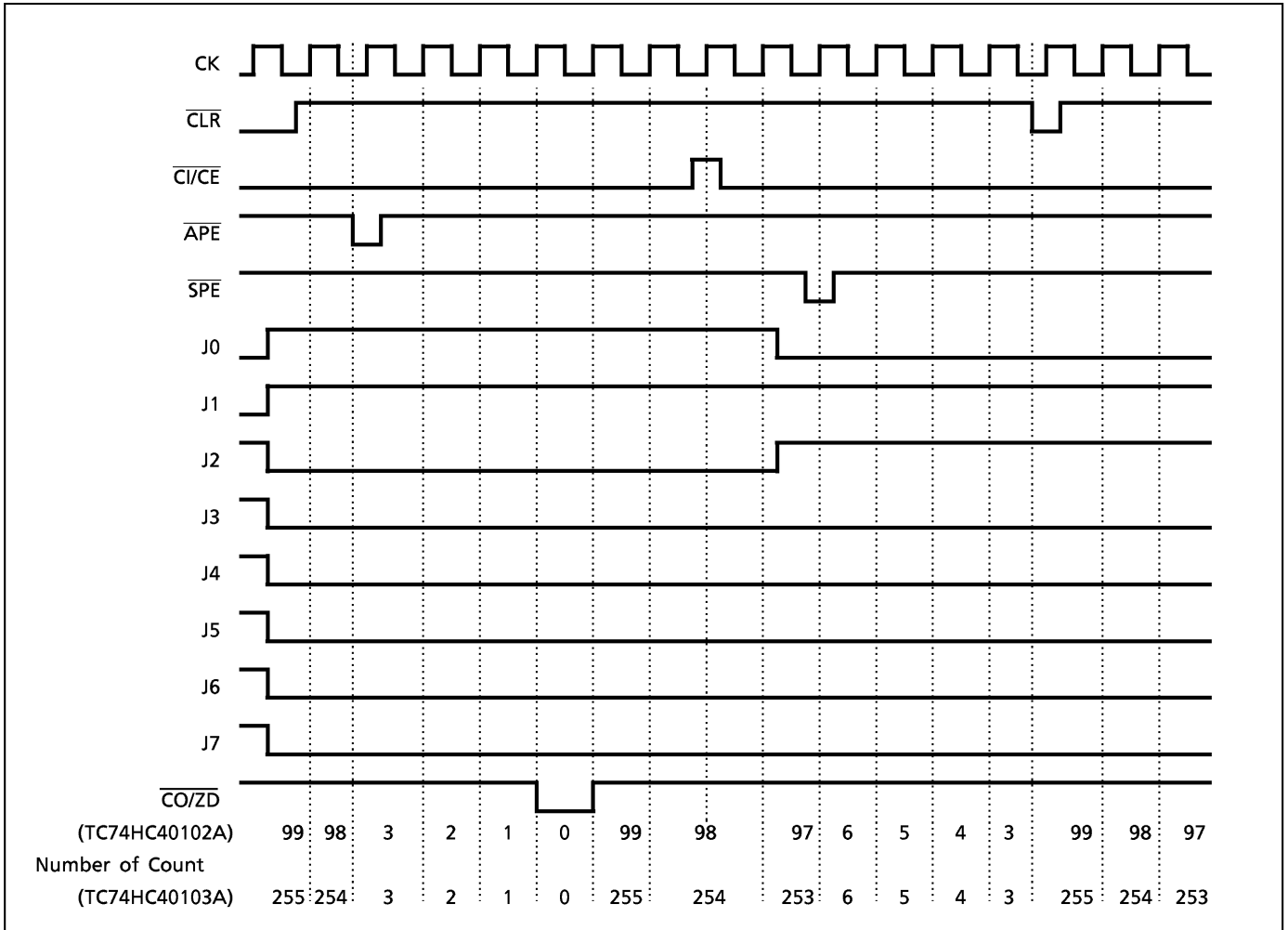
Note 1.X : Don't care

2. Maximum count : TC74HC40102A "99", TC74HC40103A "255"

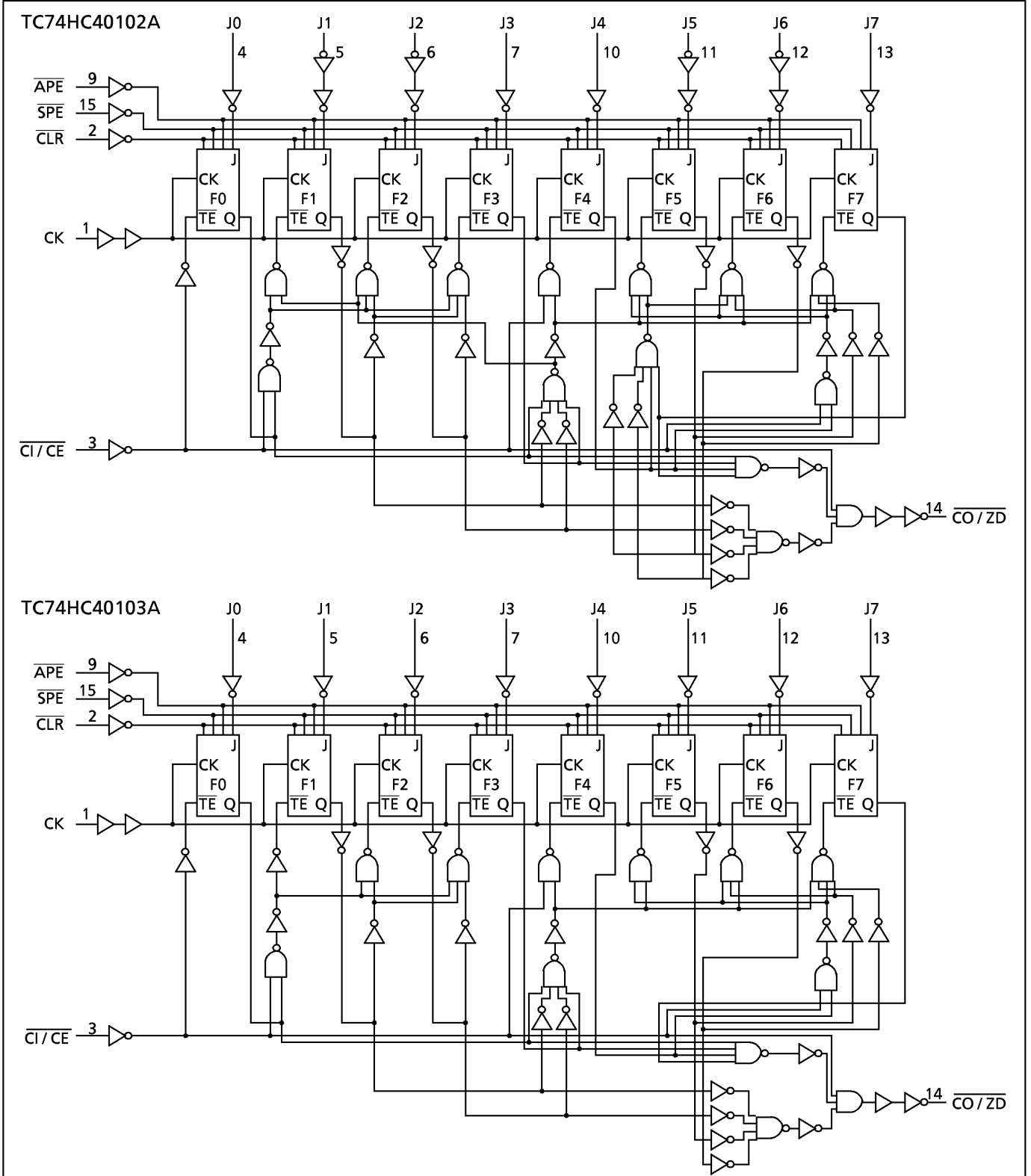
IEC LOGIC SYMBOL



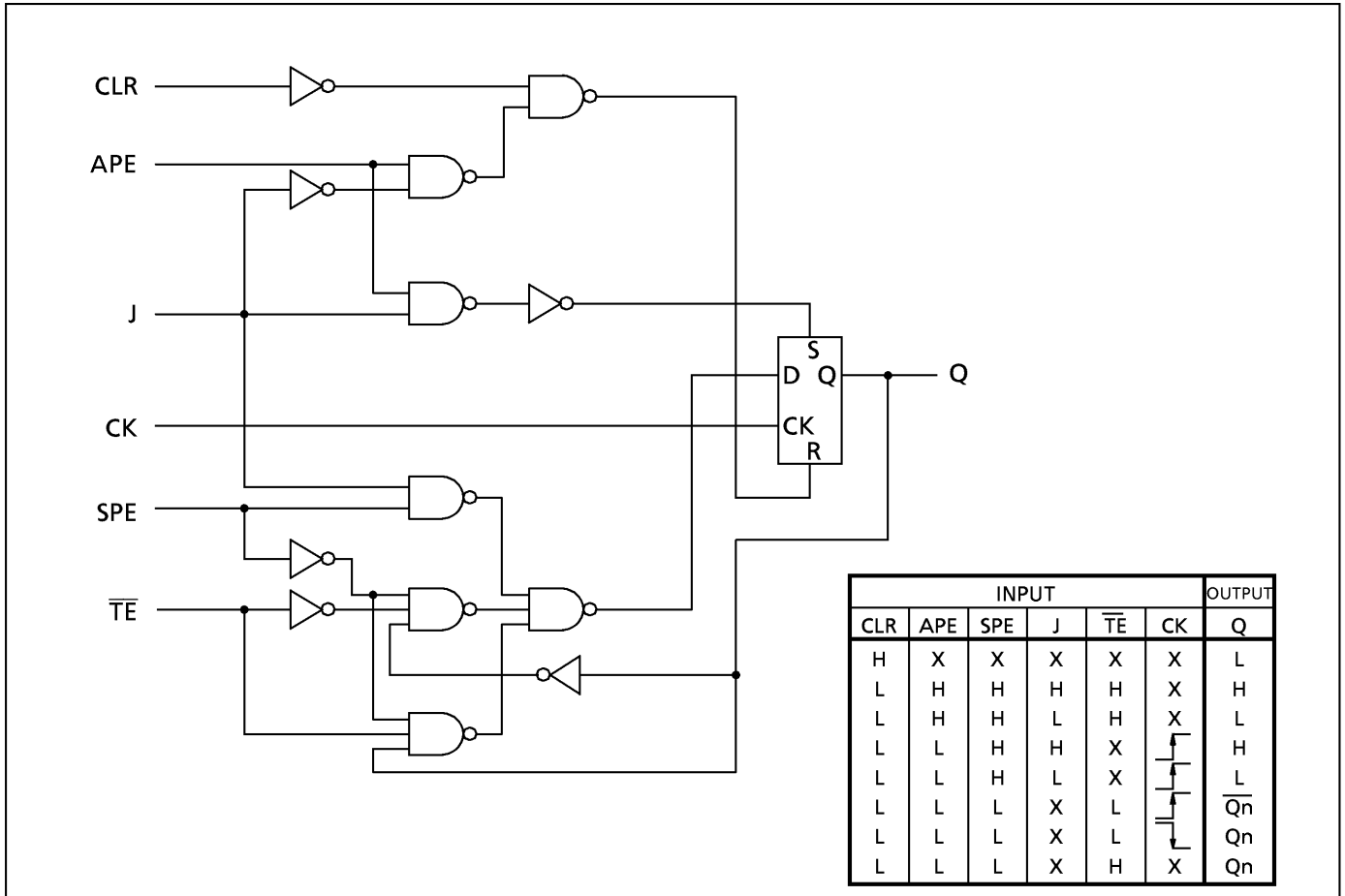
TIMING CHART



SYSTEM DIAGRAM



LOGIC DIAGRAM



FUNCTION DESCRIPTION

The TC74HC40102A and TC74HC40103A are 8-stage presettable synchronous down counters. Carry Out/Zero Detect ($\overline{CO/ZD}$) is output at the “L” level for the period of 1 bit when the readout becomes “0”. The TC74HC40102A adopts binary coded decimal notation, making setting up to 99 counts possible. While the TC74HC40103A adopts 8-bit binary counter and can set up to 255 counts.

COUNT OPERATION

At the “H” level of control input of \overline{CLR} , \overline{SPE} and \overline{APE} , the counter carries out down count operation one by one at the rise of pulse given to CK input. Count operation can be inhibited by setting Carry Input/clock Enable ($\overline{CI/CE}$) to the “H” level.

FUNCTION DESCRIPTION (Continued)

$\overline{CO/ZD}$ is output at the "L" level when the readout becomes "0", but is not output even if the readout becomes "0" when $\overline{CI/CE}$ is at the "H" level, thus maintaining the "H" level.

Synchronous cascade operation can be carried out by using $\overline{CI/CE}$ input and $\overline{CO/ZD}$ output.

The contents of count jump to maximum count (99 for the TC74HC40102A and 255 for the TC74HC40103A) if clock is given when the readout is "0". Therefore, operation of 100-frequency division and that of 256-frequency division are carried out for the TC74HC40102A and TC74HC40103A, respectively, when clock input alone is given without various kinds of preset operation.

PRESET OPERATION AND RESET OPERATION

When Clear (\overline{CLR}) input is set to the "L" level, the readout is set to the maximum count independently of other inputs. When Asynchronous Preset Enable (\overline{APE}) input is set to the "L" level, readouts given on J0 to J7 can be preset asynchronously to counter independently of inputs other than \overline{CLR} input. When Synchronous Preset Enable (\overline{SPE}) is set to the "L" level, the readouts given on J0 to J7 can be preset to counter synchronously with rise of clock.

As to these operation modes, refer to the truth table.

ABSOLUTE MAXIMUM RATINGS

PARAMETER	SYMBOL	VALUE	UNIT
Supply Voltage Range	V_{CC}	-0.5~7	V
DC Input Voltage	V_{IN}	-0.5~ $V_{CC} + 0.5$	V
DC Output Voltage	V_{OUT}	-0.5~ $V_{CC} + 0.5$	V
Input Diode Current	I_{IK}	± 20	mA
Output Diode Current	I_{OK}	± 20	mA
DC Output Current	I_{OUT}	± 25	mA
DC V_{CC} /Ground Current	I_{CC}	± 50	mA
Power Dissipation	P_D	500 (DIP)* / 180 (SOP)	mW
Storage Temperature	T_{stg}	-65~150	°C

*500mW in the range of $T_a = -40^{\circ}\text{C} \sim 65^{\circ}\text{C}$. From $T_a = 65^{\circ}\text{C}$ to 85°C a derating factor of $-10\text{mW}/^{\circ}\text{C}$ shall be applied until 300mW.

RECOMMENDED OPERATING CONDITIONS

PARAMETER	SYMBOL	VALUE	UNIT
Supply Voltage	V_{CC}	2~6	V
Input Voltage	V_{IN}	0~ V_{CC}	V
Output Voltage	V_{OUT}	0~ V_{CC}	V
Operating Temperature	T_{opr}	-40~85	°C
Input Rise and Fall Time	t_r, t_f	0~ 1000 ($V_{CC} = 2.0\text{V}$) 0~ 500 ($V_{CC} = 4.5\text{V}$) 0~ 400 ($V_{CC} = 6.0\text{V}$)	ns

DC ELECTRICAL CHARACTERISTICS

PARAMETER	SYMBOL	TEST CONDITION	V_{CC} (V)	$T_a = 25^{\circ}\text{C}$			$T_a = -40 \sim 85^{\circ}\text{C}$		UNIT	
				MIN.	TYP.	MAX.	MIN.	MAX.		
High - Level Input Voltage	V_{IH}		2.0	1.50	—	—	1.50	—	V	
			4.5	3.15	—	—	3.15	—		
			6.0	4.20	—	—	4.20	—		
Low - Level Input Voltage	V_{IL}		2.0	—	—	0.50	—	0.50	V	
			4.5	—	—	1.35	—	1.35		
			6.0	—	—	1.80	—	1.80		
High - Level Output Voltage	V_{OH}	$V_{IN} = V_{IH}$ or V_{IL}	$I_{OH} = -20\mu\text{A}$	2.0	1.9	2.0	—	1.9	—	V
				4.5	4.4	4.5	—	4.4	—	
			6.0	5.9	6.0	—	5.9	—		
			$I_{OH} = -4\text{ mA}$ $I_{OH} = -5.2\text{ mA}$	4.5	4.18	4.31	—	4.13	—	
				6.0	5.68	5.80	—	5.63	—	
			Low - Level Output Voltage	V_{OL}	$V_{IN} = V_{IH}$ or V_{IL}	$I_{OL} = 20\mu\text{A}$	2.0	—	0.0	
4.5	—	0.0					0.1	—	0.1	
6.0	—	0.0				0.1	—	0.1		
$I_{OL} = 4\text{ mA}$ $I_{OL} = 5.2\text{ mA}$	4.5	—				0.17	0.26	—	0.33	
	6.0	—				0.18	0.26	—	0.33	
Input Leakage Current	I_{IN}	$V_{IN} = V_{CC}$ or GND				6.0	—	—	± 0.1	—
Quiescent Supply Current	I_{CC}	$V_{IN} = V_{CC}$ or GND	6.0	—	—	4.0	—	40.0		

AC ELECTRICAL CHARACTERISTICS ($C_L = 15\text{pF}$, $V_{CC} = 5\text{V}$, $T_a = 25^\circ\text{C}$, Input $t_r = t_f = 6\text{ns}$)

PARAMETER	SYMBOL	TEST CONDITION	MIN.	TYP.	MAX.	UNIT
Output Transition Time	t_{TLH} t_{THL}		—	4	8	ns
Propagation Delay Time ($\overline{CK} - \overline{CO}/\overline{ZO}$)	t_{pLH} t_{pHL}		—	25	43	
Propagation Delay Time ($\overline{APE} - \overline{CO}/\overline{ZO}$)	t_{pLH} t_{pHL}		—	25	49	
Propagation Delay Time ($\overline{CI}/\overline{CE} - \overline{CO}/\overline{ZO}$)	t_{pLH} t_{pHL}		—	10	19	
Propagation Delay Time ($\overline{CLR} - \overline{CO}/\overline{ZO}$)	t_{pLH}		—	24	36	
Maximum Clock Frequency	f_{MAX}		23	40	—	MHz

AC ELECTRICAL CHARACTERISTICS ($C_L = 50\text{pF}$, Input $t_r = t_f = 6\text{ns}$)

PARAMETER	SYMBOL	TEST CONDITION	$T_a = 25^\circ\text{C}$			$T_a = -40\text{--}85^\circ\text{C}$		UNIT
			$V_{CC}(\text{V})$	MIN.	TYP.	MAX.	MIN.	
Output Transition Time	t_{TLH} t_{THL}		2.0	—	30	75	—	95
			4.5	—	8	15	—	19
			6.0	—	7	13	—	16
Propagation Delay Time ($\overline{CK} - \overline{CO}/\overline{ZO}$)	t_{pLH} t_{pHL}		2.0	—	95	245	—	305
			4.5	—	28	49	—	61
			6.0	—	22	42	—	52
Propagation Delay Time ($\overline{APE} - \overline{CO}/\overline{ZO}$)	t_{pLH} t_{pHL}		2.0	—	100	300	—	375
			4.5	—	30	60	—	75
			6.0	—	25	51	—	64
Propagation Delay Time ($\overline{CI}/\overline{CE} - \overline{CO}/\overline{ZO}$)	t_{pLH} t_{pHL}		2.0	—	38	115	—	145
			4.5	—	13	23	—	29
			6.0	—	11	20	—	25
Propagation Delay Time ($\overline{CLR} - \overline{CO}/\overline{ZO}$)	t_{pLH}		2.0	—	85	240	—	300
			4.5	—	28	48	—	60
			6.0	—	23	41	—	51
Maximum Clock Frequency	f_{MAX}		2.0	4	12	—	3	—
			4.5	20	36	—	16	—
			6.0	24	42	—	19	—
Input Capacitance	C_{IN}		—	5	10	—	10	pF
Power Dissipation Capacitance	$C_{PD} (1)$		—	48	—	—	—	

Note (1) C_{PD} is defined as the value of the internal equivalent capacitance which is calculated from the operating current consumption without load.

Average operating current can be obtained by the equation :

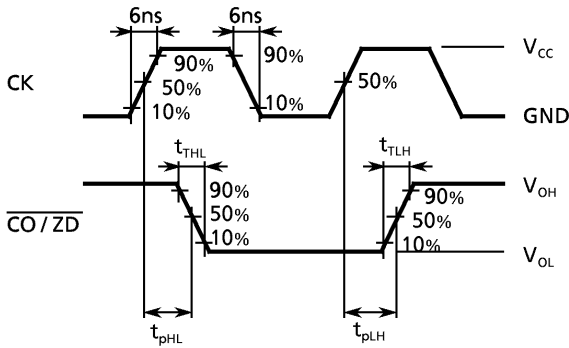
$$I_{CC}(\text{opr}) = C_{PD} \cdot V_{CC} \cdot f_{IN} + I_{CC}$$

TIMING REQUIREMENTS (Input $t_r = t_f = 6\text{ns}$)

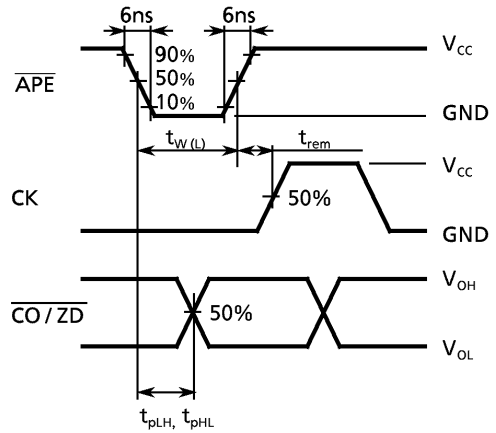
PARAMETER	SYMBOL	TEST CONDITION	V_{CC} (V)	$T_a = 25^\circ\text{C}$		$T_a = -40\text{--}85^\circ\text{C}$	UNIT
				TYP.	LIMIT	LIMIT	
Minimum Pulse Width (CK)	$t_{w(H)}$ $t_{w(L)}$		2.0	—	75	95	ns
			4.5	—	15	19	
			6.0	—	13	16	
Minimum Pulse Width ($\overline{\text{CLR}}$, $\overline{\text{APE}}$)	$t_{w(L)}$		2.0	—	75	95	
			4.5	—	15	19	
			6.0	—	13	16	
Minimum Set-up Time ($\overline{\text{SPE}}$ —CK)	t_s		2.0	—	75	95	
			4.5	—	15	19	
			6.0	—	13	16	
Minimum Set-up Time ($\overline{\text{CI}}/\overline{\text{CE}}$ —CK)	t_s		2.0	—	150	190	
			4.5	—	30	38	
			6.0	—	26	32	
Minimum Set-up Time (J_n —CK)	t_s		2.0	—	75	95	
			4.5	—	15	19	
			6.0	—	13	16	
Minimum Set-up Time (J_n — $\overline{\text{APE}}$)	t_s		2.0	—	75	95	
			4.5	—	15	19	
			6.0	—	13	16	
Minimum Hold Time ($\overline{\text{SPE}}$ —CK)	t_h		2.0	—	0	0	
			4.5	—	0	0	
			6.0	—	0	0	
Minimum Hold Time ($\overline{\text{CI}}/\overline{\text{CE}}$ —CK)	t_h		2.0	—	0	0	
			4.5	—	0	0	
			6.0	—	0	0	
Minimum Hold Time (J_n —CK)	t_h		2.0	—	0	0	
			4.5	—	0	0	
			6.0	—	0	0	
Minimum Hold Time (J_n — $\overline{\text{APE}}$)	t_h		2.0	—	0	0	
			4.5	—	0	0	
			6.0	—	0	0	
Minimum Removal Time ($\overline{\text{CLR}}$, $\overline{\text{APE}}$)	t_{rem}		2.0	—	75	95	
			4.5	—	15	19	
			6.0	—	13	16	
Clock Frequency	f		2.0	—	4	3	MHz
			4.5	—	20	16	
			6.0	—	24	19	

SWITCHING CHARACTERISTICS TEST WAVEFORM

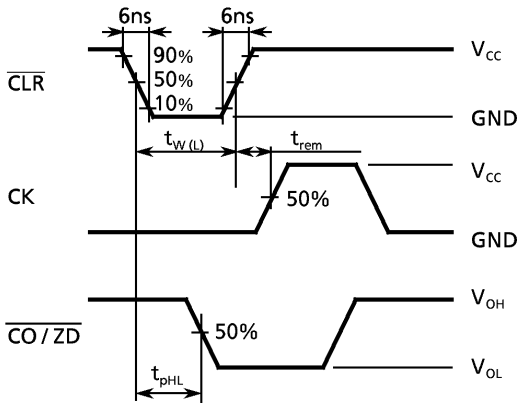
WAVEFORM 1



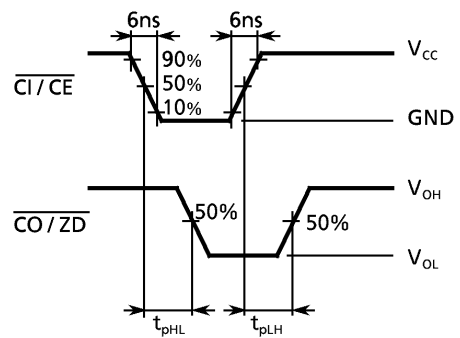
WAVEFORM 2



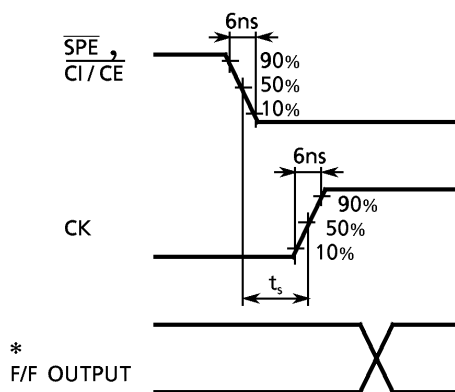
WAVEFORM 3



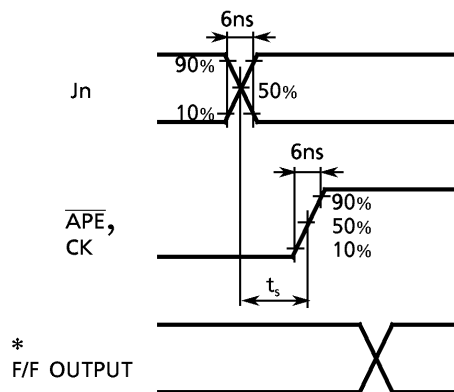
WAVEFORM 4



WAVEFORM 5



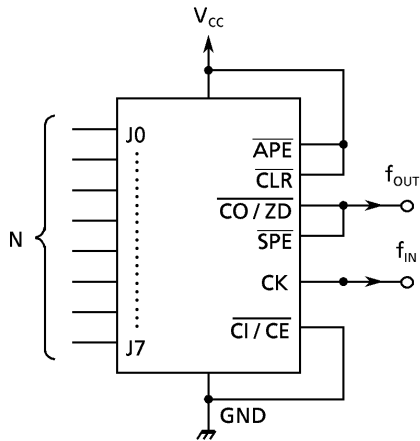
WAVEFORM 6



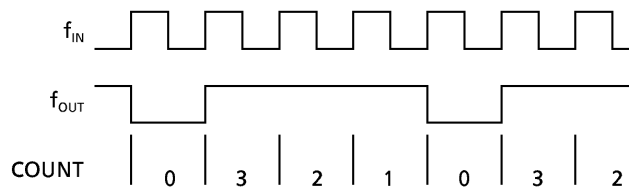
(** F/F output is internal signal of IC)

EXAMPLE OF TYPICAL APPLICATION

○ PROGRAMMABLE DIVIDE - BY - N COUNTER

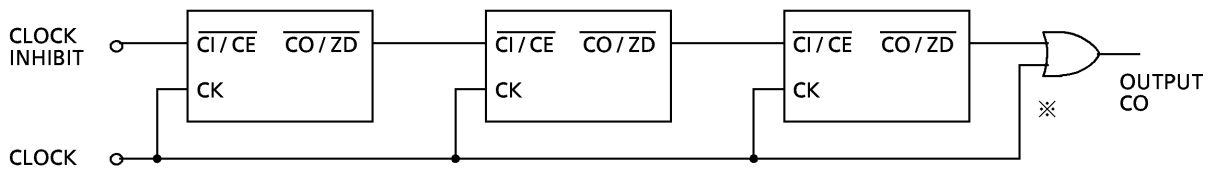


- $f_{OUT} = \frac{f_{IN}}{N + 1}$
- Timing chart when N = "3"
(J0, J1 = V_{CC}, J2~J7 = GND)



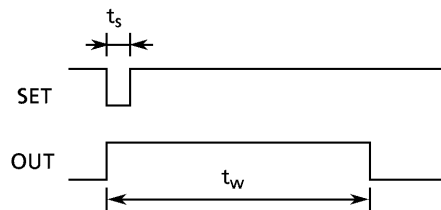
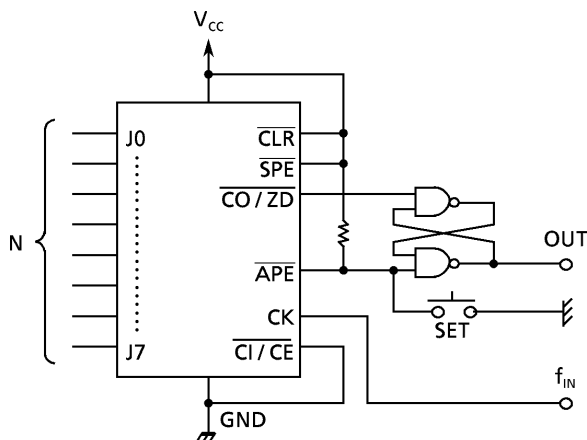
- TC74HC40102A 1/2 to 1/100 are dividable.
- TC74HC40103A 1/2 to 1/256 are dividable.

○ PARALLEL CARRY CASCAADING



※ At synchronous cascade connection, huzzerd occurs at C0 output after its second stage when digit place changes, due to delay arrival. Therefore, take gate form TC74HC32A or the like, not form C0 output at the rear stage directly.

○ PROGRAMMABLE TIMER

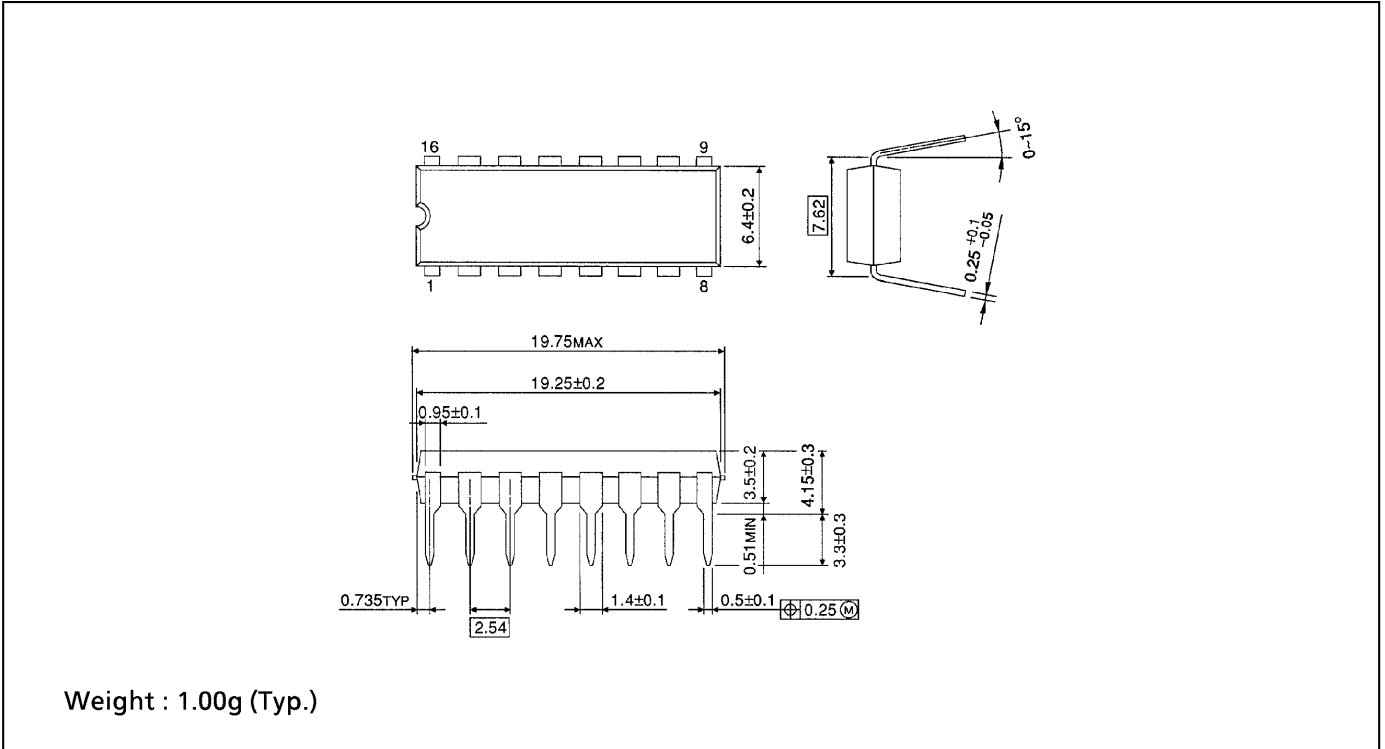


$$t_w = \left(\frac{N}{f_{IN}} + t_s \right)$$

Note : The above formula dose not take into account the phase of ck input. Therefore, the real pulse width is the distance between the above formula - 1/f_{IN}~the above formula.

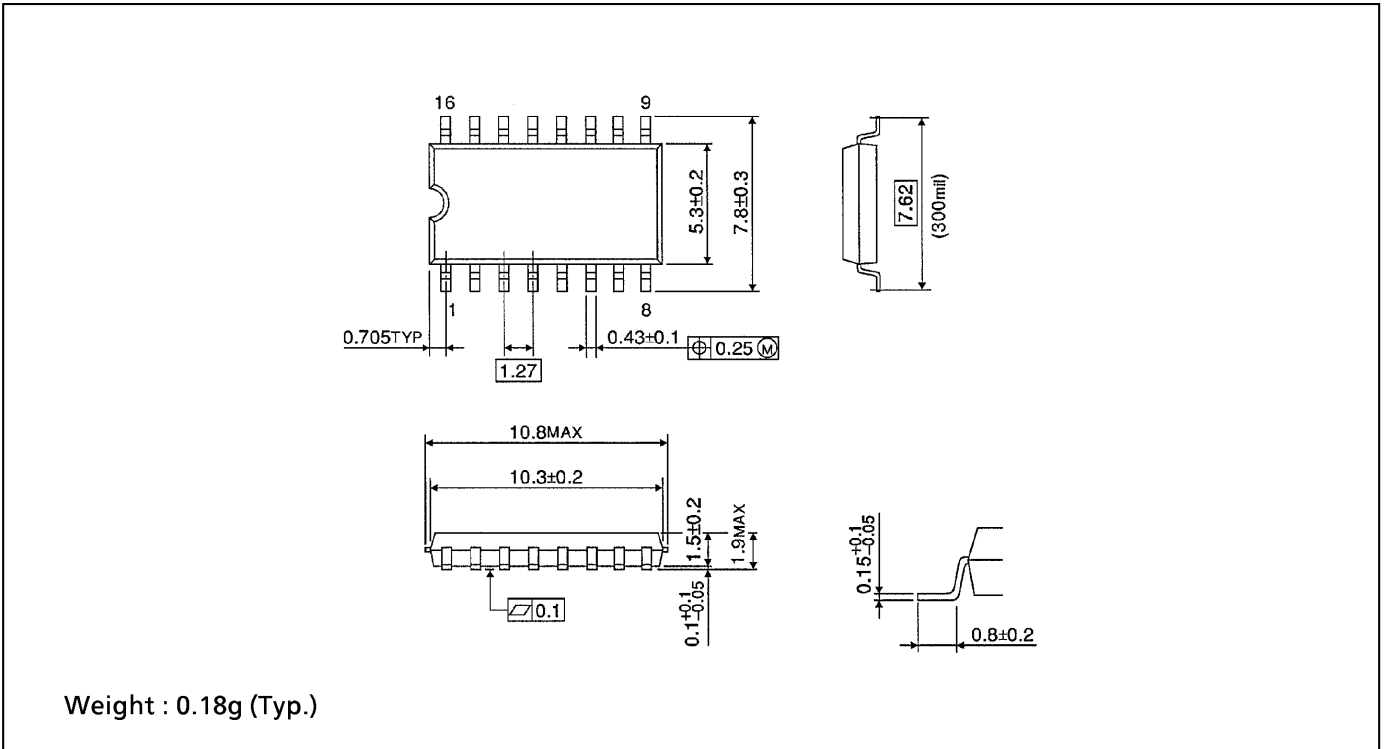
DIP 16PIN PACKAGE DIMENSIONS (DIP16-P-300-2.54A)

Unit in mm



SOP 16PIN (200mil BODY) PACKAGE DIMENSIONS (SOP16-P-300-1.27)

Unit in mm



RESTRICTIONS ON PRODUCT USE

000707EBA

- TOSHIBA is continually working to improve the quality and reliability of its products. Nevertheless, semiconductor devices in general can malfunction or fail due to their inherent electrical sensitivity and vulnerability to physical stress. It is the responsibility of the buyer, when utilizing TOSHIBA products, to comply with the standards of safety in making a safe design for the entire system, and to avoid situations in which a malfunction or failure of such TOSHIBA products could cause loss of human life, bodily injury or damage to property. In developing your designs, please ensure that TOSHIBA products are used within specified operating ranges as set forth in the most recent TOSHIBA products specifications. Also, please keep in mind the precautions and conditions set forth in the "Handling Guide for Semiconductor Devices," or "TOSHIBA Semiconductor Reliability Handbook" etc..
- The TOSHIBA products listed in this document are intended for usage in general electronics applications (computer, personal equipment, office equipment, measuring equipment, industrial robotics, domestic appliances, etc.). These TOSHIBA products are neither intended nor warranted for usage in equipment that requires extraordinarily high quality and/or reliability or a malfunction or failure of which may cause loss of human life or bodily injury ("Unintended Usage"). Unintended Usage include atomic energy control instruments, airplane or spaceship instruments, transportation instruments, traffic signal instruments, combustion control instruments, medical instruments, all types of safety devices, etc.. Unintended Usage of TOSHIBA products listed in this document shall be made at the customer's own risk.
- The products described in this document are subject to the foreign exchange and foreign trade laws.
- The information contained herein is presented only as a guide for the applications of our products. No responsibility is assumed by TOSHIBA CORPORATION for any infringements of intellectual property or other rights of the third parties which may result from its use. No license is granted by implication or otherwise under any intellectual property or other rights of TOSHIBA CORPORATION or others.
- The information contained herein is subject to change without notice.