

TOSHIBA Bipolar Linear Integrated Circuit Silicon Monolithic

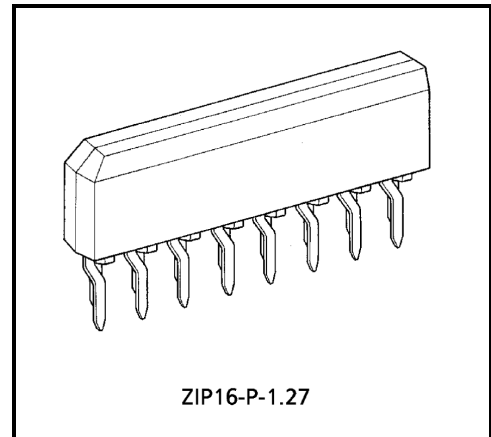
TA8194Z

Muting IC

The TA8194Z is a muting IC to prevent the “POP” noise made at time of power on and off of audio equipments. This IC has 4 sensor terminals, muting control terminal and supply control terminal. In case of sensing voltage rising, muting control signal occurs and after that supply control signal occurs and muting signal maintains for 1s. In case of sensing voltage setting, muting control signal occurs and after that supply control signal stops. This IC also has manual muting terminal and protection function.

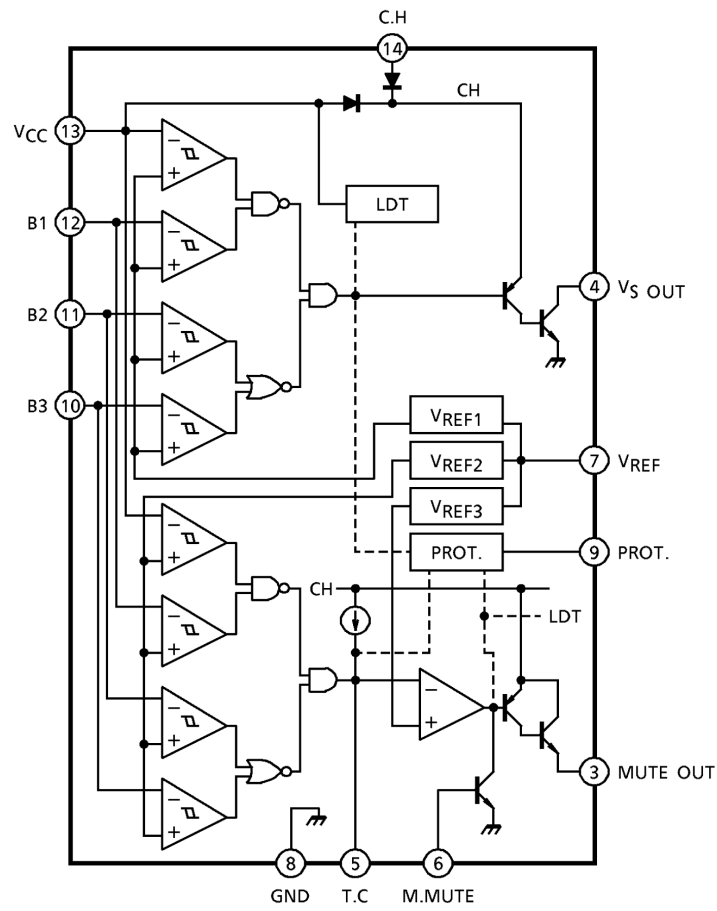
Features

- 4 sensor terminals: VCC, B₁, B₂, B₃
- Muting circuit control signal output
- Power supply circuit control signal output
- Manual muting control terminal
- Protection function terminal
- Operating supply voltage range: VCC (opr.) = 8~18.0V (Ta = 25°C)

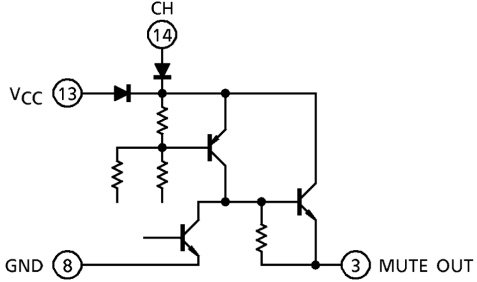
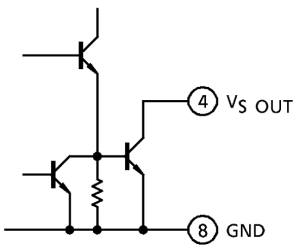
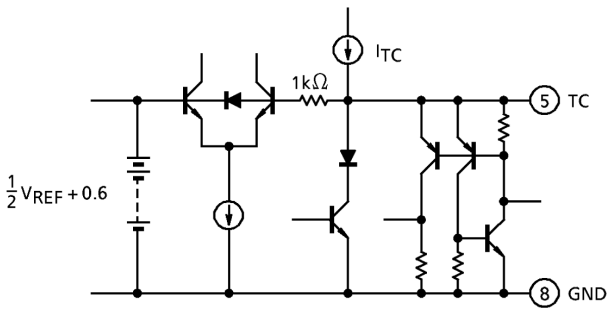
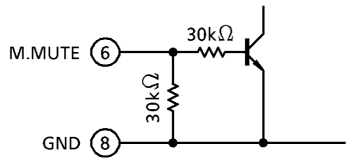
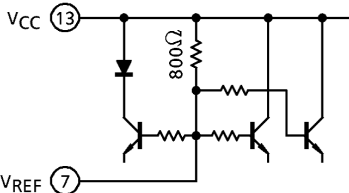


Weight: 0.99g (typ.)

Block Diagram



Terminal Explanation

Pin No.	Function	Equivalent Circuit
3	Mute out	
	Muting control signal output	
4	V _S out	
	Supply control signal output	
5	TC (timing condenser)	
	Muting time condenser terminal	
6	M.Mute (manual mute)	
	$V_6 \geq 0.8V \rightarrow \text{mute out} = \text{on}$	
7	V _{REF} (reference voltage)	
	Reference voltage for comparator	

Pin No.	Function	Equivalent Circuit
9	Prot. (protection) $V_g \geq 0.8V \rightarrow$ mute out = on, V_S out = off	
10	B3 voltage sense terminal-3	
11	B2 voltage sense terminal-2	
12	B1 voltage sense terminal-1	
13	V_{CC} Supply terminal voltage sense terminal	
14	CH (charge hold) Back up capacitor terminal at V_{CC} off	

Operating Description

The TA8194Z is a muting control IC to prevent pop noise made at time of power on and off of audio equipments.

This IC has built-in 4 terminals for sensing bias line voltage of audio equipment.

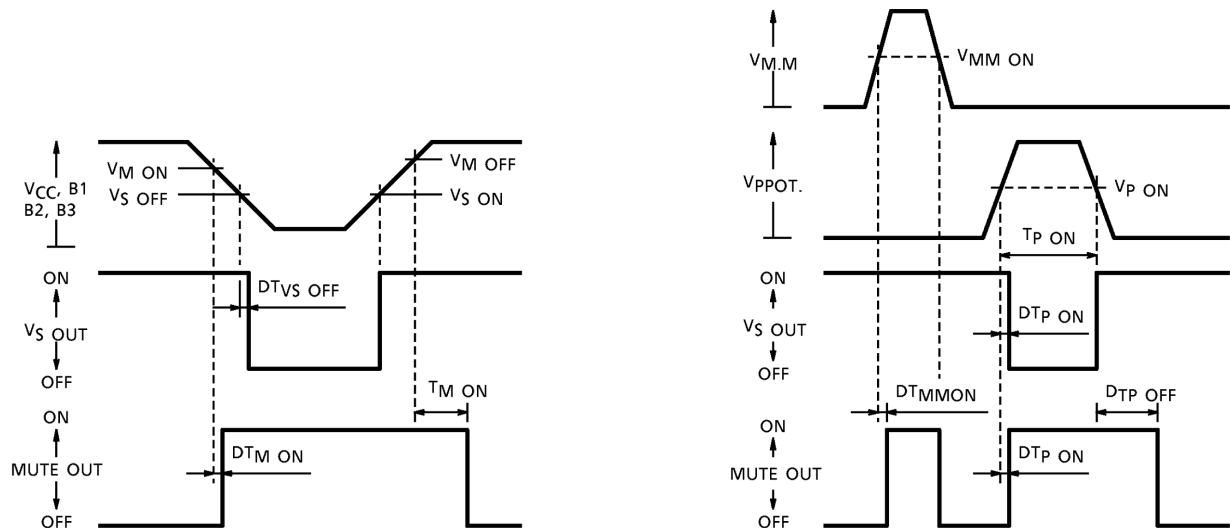
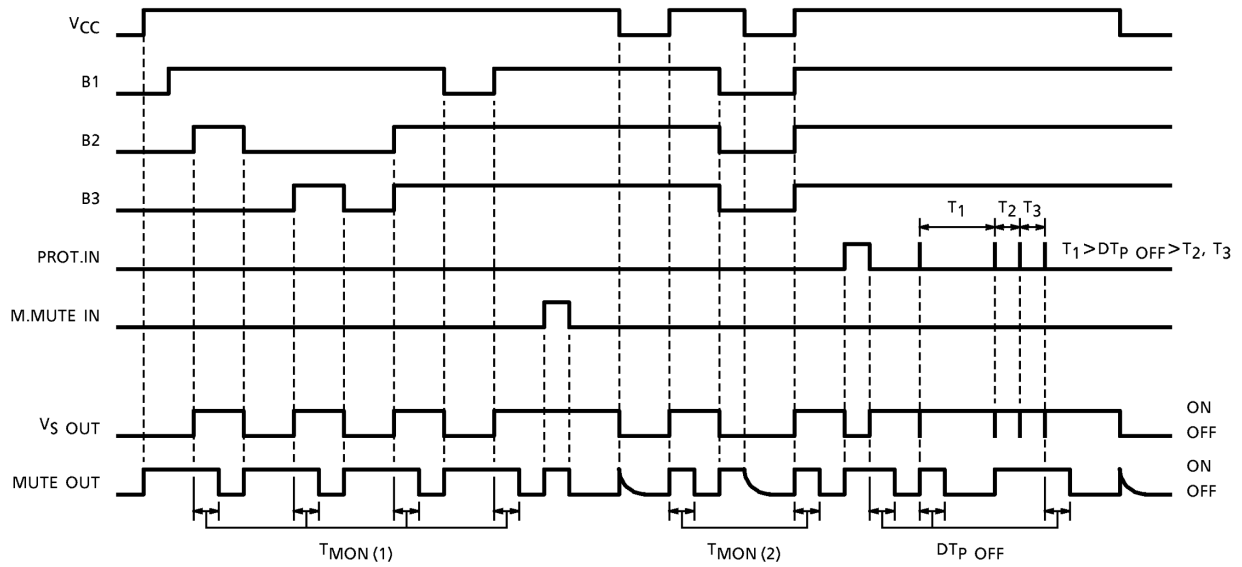
According to sensing voltage rising and setting, this IC occurs muting control signal and supply control signal.

Followings are basic operation of this IC, refer to timing chart: Page 6.

- (1) Muting control signal occurs at VCC ON under any condition of B1, B2, B3 sensing voltage.
- (2) Muting control signal occurs at VS output off.
- (3) Muting control signal stops after (TM ON) s at VS output on.
Muting time (TM ON) depends on capacitor value connected to TC terminal: Pin(5).
(TM ON) is 1.0~1.1s (typ.) under condition of CTC = 10μF.
The above are applied in case sensing voltage rises fast enough.
Muting control off sense voltage: (VM OFF) is higher than VS ON sense voltage (VVS ON), so in case sensing voltage rises slowly, the period sensing voltage rising from (VVS ON) to (VM ON) should be counted.
- (4) Muting control signal occurs at VCC OFF. In this case, muting time depends on capacitor value connected to CH terminal: Pin(14). This capacitor is back-up capacitor at VCC OFF. Muting control signal operation at VCC OFF is by charge of this capacitor.
- (5) Manual muting control terminal: Pin(6).
Muting control signal occurs by adding H-level signal at manual mute control terminal under any condition of VS control output.
- (6) VS control output signal occurs at condition of sensing terminal voltage is following.
$$VCC \cdot B1 \cdot (B2 + B3) = H\text{-level}$$
- (7) Sense voltage of VS ON / OFF and muting on / off control are set individually, so control signal output operate sequentially as follows.
 - Sensing voltage rising: VS control output signal stop after muting control signal occurs.
(VM ON > VVS OFF)
 - Sensing voltage setting: Muting control signal stops after (TM ON) s at sensing voltage setting to (VM OFF) after VS control output occurs. (VVS ON < VM OFF)
 There are muting period before and after at VS control signal stops and occurs.
- (8) Sense voltage of VS ON / OFF and muting on / off control have hysteresis voltage of 0.2~0.3V.
- (9) Protection function terminal: Pin(9).
 - Adding H-level control signal: VS control signal stops and muting control signal occurs.
 - Adding L-level control signal from H-level: VS control signal occurs and after the period: DTP OFF, muting control signal stops.

DTP OFF depends on capacitor value connected to TC terminal as TM ON.

Timing Chart



Maximum Ratings (Ta = 25°C)

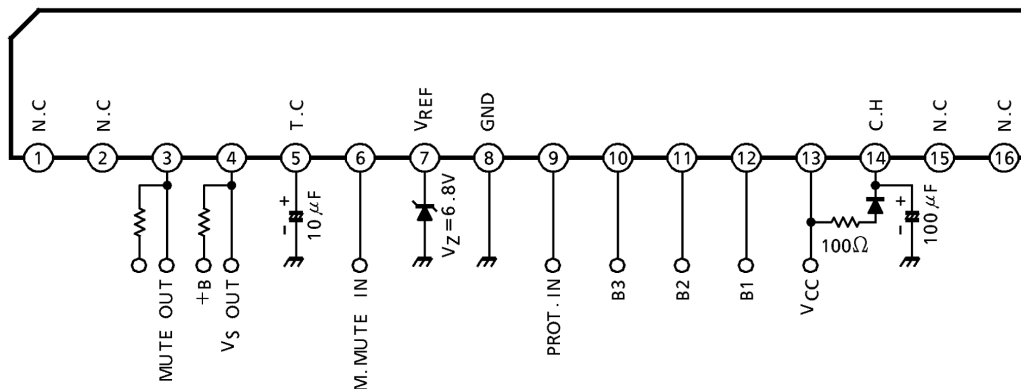
Characteristic	Symbol	Rating	Unit
Supply voltage	V _{CC}	25	V
Power dissipation	P _D	750	mW
Operating temperature	T _{opr}	-30~85	°C
Storage temperature	T _{stg}	-55~150	°C

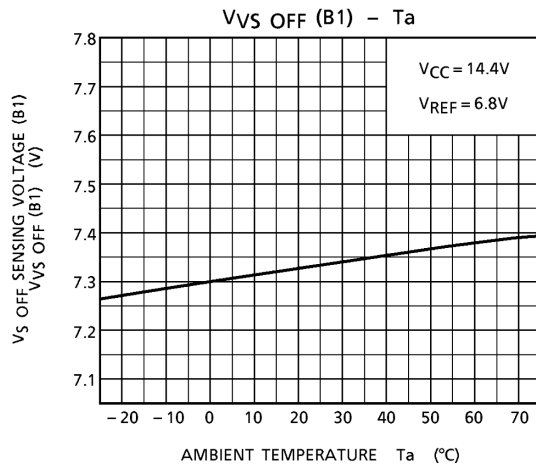
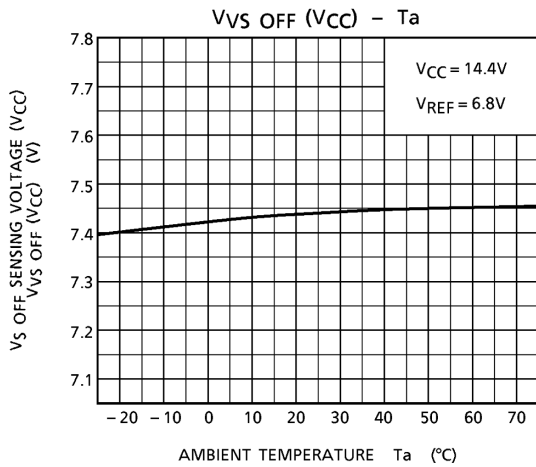
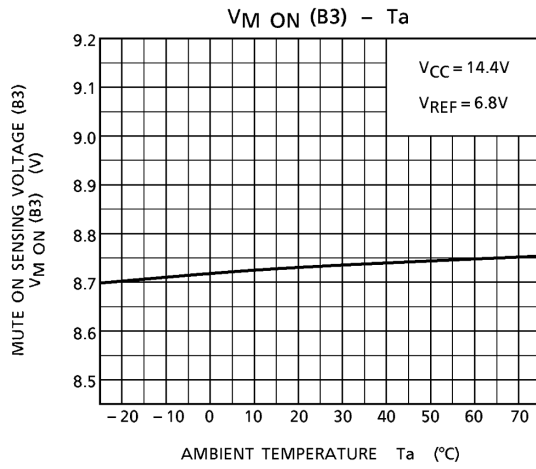
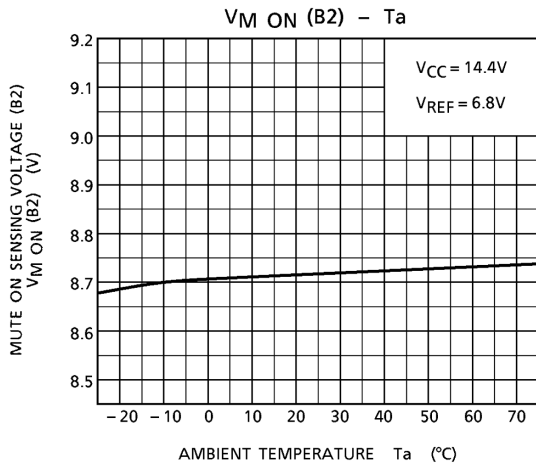
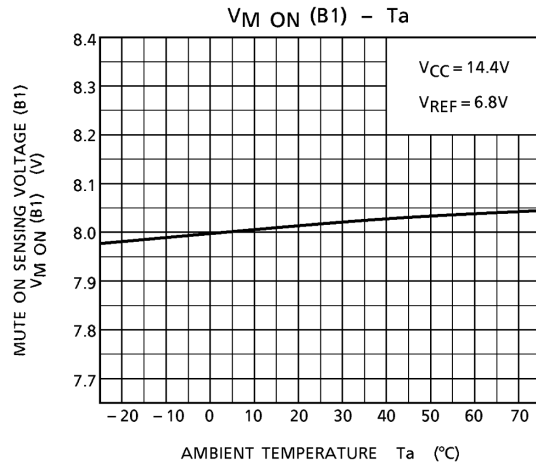
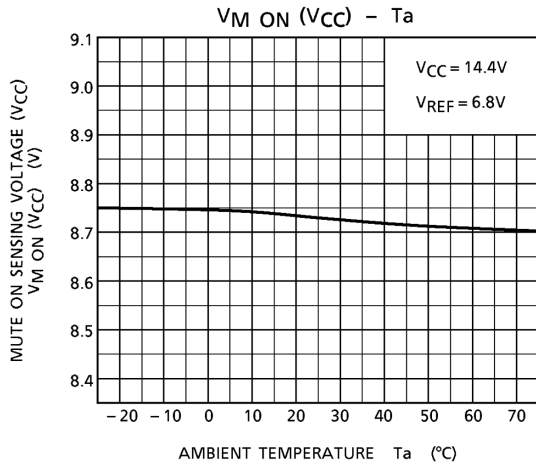
Electrical Characteristics

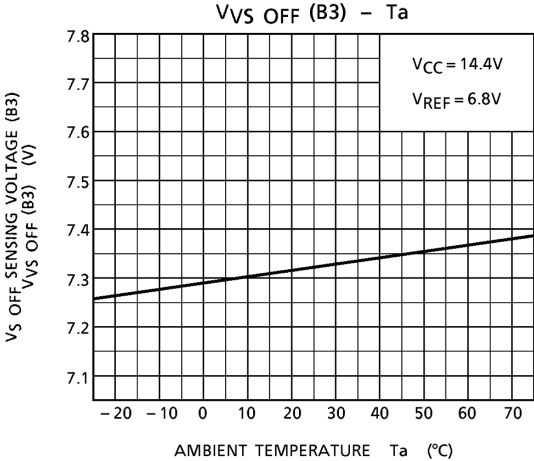
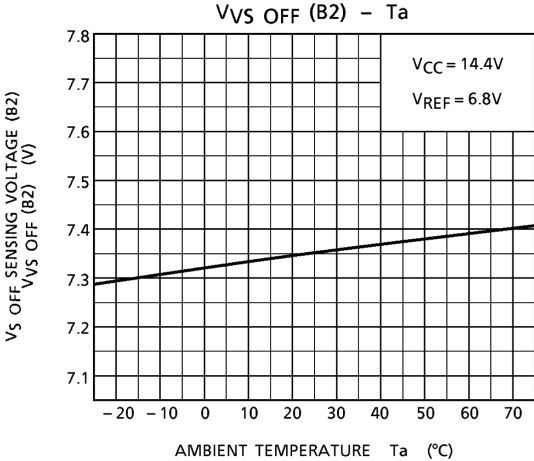
(unless otherwise specified, $V_{CC} = 14.4V$, $V_{REF} = 6.8V$, $T_a = 25^{\circ}C$)

Characteristic	Symbol	Test Circuit	Test Condition	Min.	Typ.	Max.	Unit
Quiescent current	I_{CCQ}	—	—	—	19	40	mA
Reference current	I_{REF}	—	—	7.3	9.5	13.5	mA
Mute on sense voltage	$V_{M\ ON\ (1)}$	—	V_{CC} , B2, B3	8.5	8.7	8.9	V
	$V_{M\ ON\ (2)}$	—	B1	7.75	8.0	8.25	
Mute off sense voltage	$V_{M\ OFF\ (1)}$	—	V_{CC} , B2, B3	—	9.0	9.2	V
	$V_{M\ OFF\ (2)}$	—	B1	—	8.2	9.2	
Mute out saturation voltage	$V_{OUT\ ML}$	—	$I_{M\ OUT} = 10mA$	—	1.9	2.5	V
Mute on dearily time	$DT_{M\ ON}$	—	—	—	—	10	μs
V_S on mute time	$T_{M\ ON\ (1)}$	—	B1 or B2 or B3→on	0.7	1.0	1.4	s
	$T_{M\ ON\ (2)}$	—	V_{CC} →on	0.8	1.1	1.5	
V_S on sense voltage	$V_{VS\ ON\ (1)}$	—	V_{CC}	—	7.4	8.1	V
	$V_{VS\ ON\ (2)}$	—	B1, B2, B3	—	7.3	8.1	
V_S off sense voltage	$V_{VS\ OFF}$	—	V_{CC} , B1, B2 B3	7.3	7.6	8.0	V
V_S out voltage	$V_{OUT\ VS}$	—	$I_{VS} = -20mA$	—	0.25	1.0	V
V_S off dearily time	$DT_{VS\ OFF}$	—	—	—	—	10	μs
Protector on trigger voltage	$V_{P\ ON}$	—	—	0.8	—	—	V
Protector on trigger time	$T_{P\ ON}$	—	$V_P = 14.4V$	10	—	—	μs
Protector on dearily time	$DT_{P\ ON}$	—	$V_P = 14.4V$	—	—	10	μs
Protector on input current	$I_{P\ IN}$	—	$V_P\ IN = 1V$	—	—	0.1	mA
Protector off delay time	$DT_{P\ OFF}$	—	—	0.7	—	1.5	s
Manual mute on sense voltage	$V_{MM\ ON}$	—	—	0.8	—	—	V
Manual mute on dearily time	$DT_{MM\ ON}$	—	$V_{MM} = 13.4V$	—	—	10	μs
Manual mute on input current	$I_{MM\ IN}$	—	$V_{MM\ IN} = 1V$	—	—	0.1	mA

Test Circuit



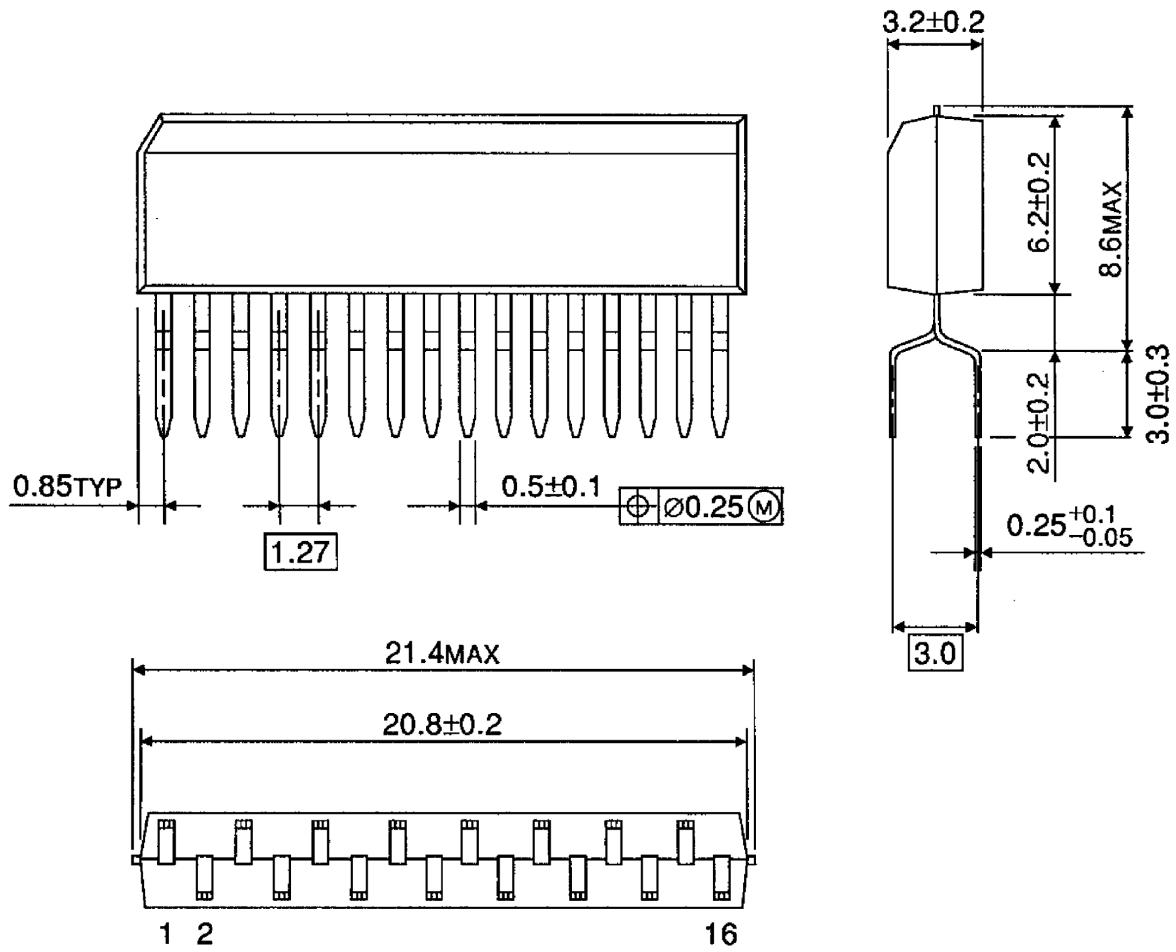




Package Dimensions

ZIP16-P-1.27

Unit : mm



Weight: 0.99g (typ.)

RESTRICTIONS ON PRODUCT USE

000707EBA

- TOSHIBA is continually working to improve the quality and reliability of its products. Nevertheless, semiconductor devices in general can malfunction or fail due to their inherent electrical sensitivity and vulnerability to physical stress. It is the responsibility of the buyer, when utilizing TOSHIBA products, to comply with the standards of safety in making a safe design for the entire system, and to avoid situations in which a malfunction or failure of such TOSHIBA products could cause loss of human life, bodily injury or damage to property.
In developing your designs, please ensure that TOSHIBA products are used within specified operating ranges as set forth in the most recent TOSHIBA products specifications. Also, please keep in mind the precautions and conditions set forth in the "Handling Guide for Semiconductor Devices," or "TOSHIBA Semiconductor Reliability Handbook" etc..
- The TOSHIBA products listed in this document are intended for usage in general electronics applications (computer, personal equipment, office equipment, measuring equipment, industrial robotics, domestic appliances, etc.). These TOSHIBA products are neither intended nor warranted for usage in equipment that requires extraordinarily high quality and/or reliability or a malfunction or failure of which may cause loss of human life or bodily injury ("Unintended Usage"). Unintended Usage include atomic energy control instruments, airplane or spaceship instruments, transportation instruments, traffic signal instruments, combustion control instruments, medical instruments, all types of safety devices, etc.. Unintended Usage of TOSHIBA products listed in this document shall be made at the customer's own risk.
- The products described in this document are subject to the foreign exchange and foreign trade laws.
- The information contained herein is presented only as a guide for the applications of our products. No responsibility is assumed by TOSHIBA CORPORATION for any infringements of intellectual property or other rights of the third parties which may result from its use. No license is granted by implication or otherwise under any intellectual property or other rights of TOSHIBA CORPORATION or others.
- The information contained herein is subject to change without notice.