

TOSHIBA Bipolar Linear Integrated Circuit Silicon Monolithic

TA7330P, TA7330F

Pre-amplifier With ALC Circuit For Mini / Micro Cassette Tape Recorder

The TA7330P and TA7330F are preamplifier for 3V or 4.5V battery use.

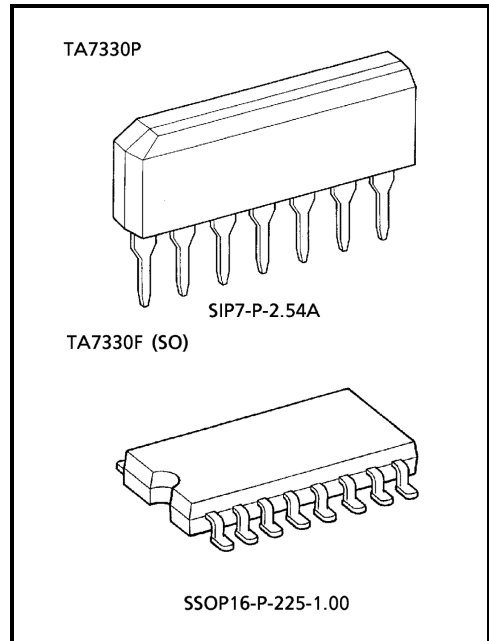
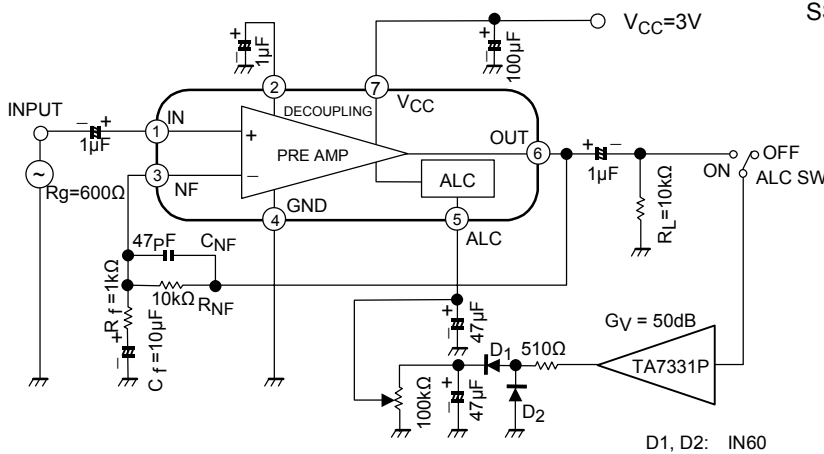
It consists of low noise preamplifier and ALC (automatic level control) circuit, and is suitable for mini / micro cassette tape recorder applications.

Features

- Low supply voltage use: $V_{CC(opr)} = 2\sim 5V$ ($T_a = 25^\circ C$)
- Low noise : $V_{ni} = 1\mu V_{rms}$ (typ.)
- Wide ALC range : $W_{ALC} = 40dB$ (typ.)
- Low quiescent current : $I_{CCQ} = 0.75mA$ (typ.)
($V_{CC} = 3V, T_a = 25^\circ C$)
- TA7330F (SO) is standard model of flat package.

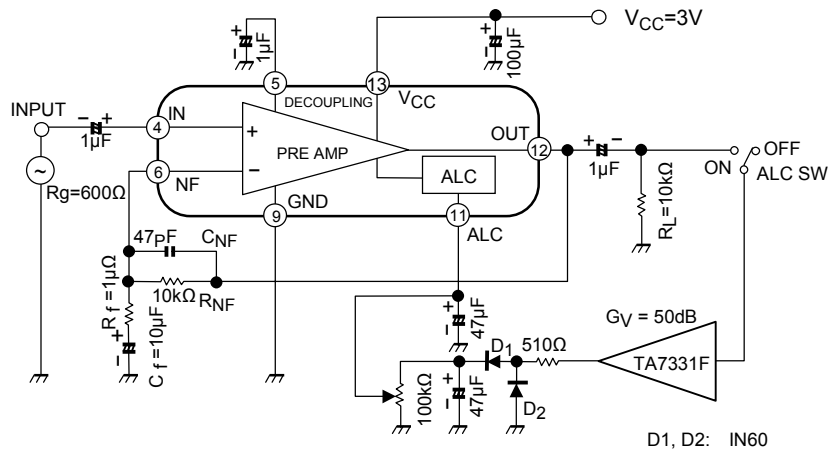
Test Circuit / Block Diagram

TA7330P



Weight
 SIP7-P-2.54A: 0.72g (typ.)
 SSOP16-P-225-1.00: 0.14g (typ.)

TA7330F



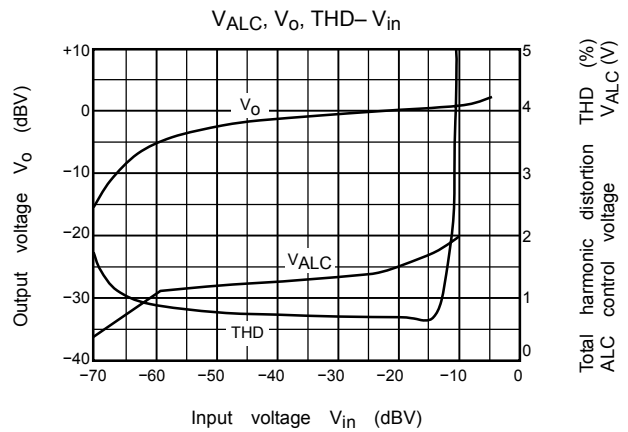
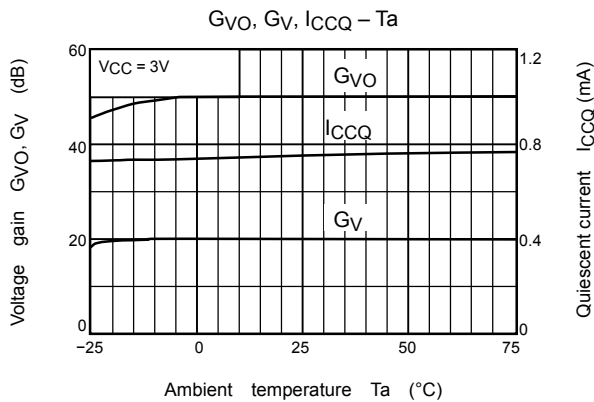
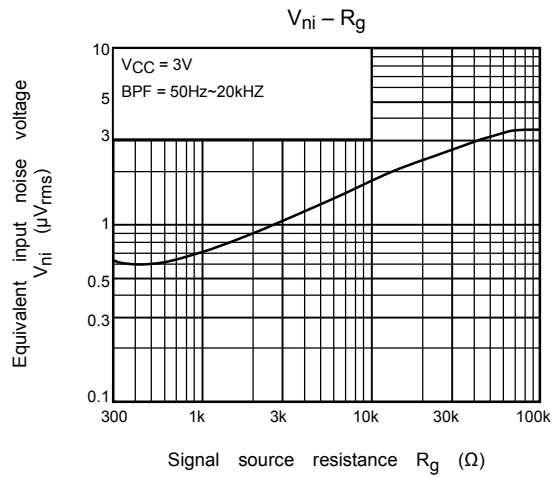
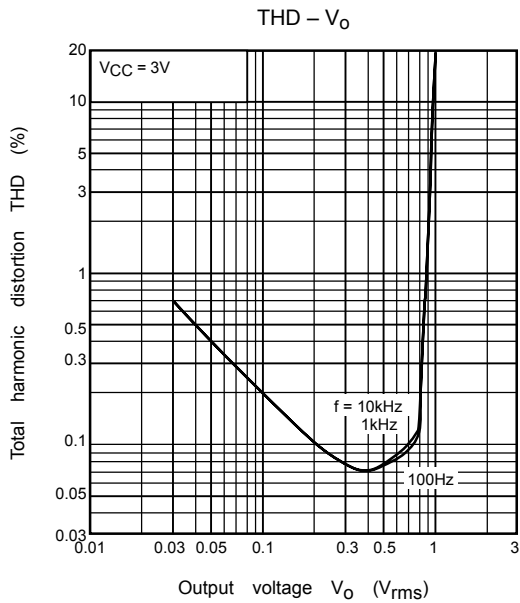
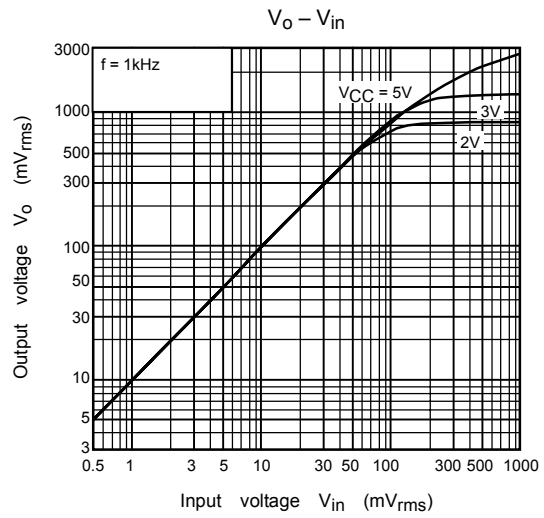
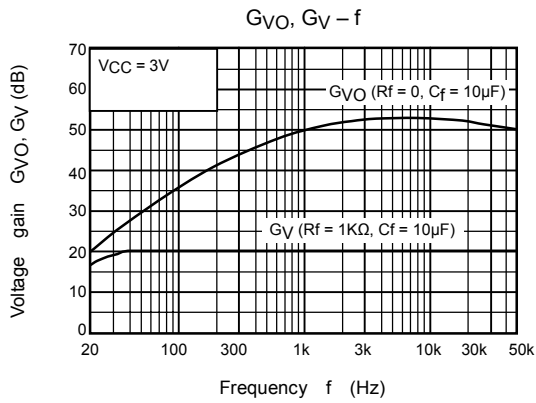
Maximum Ratings (Ta = 25°C)

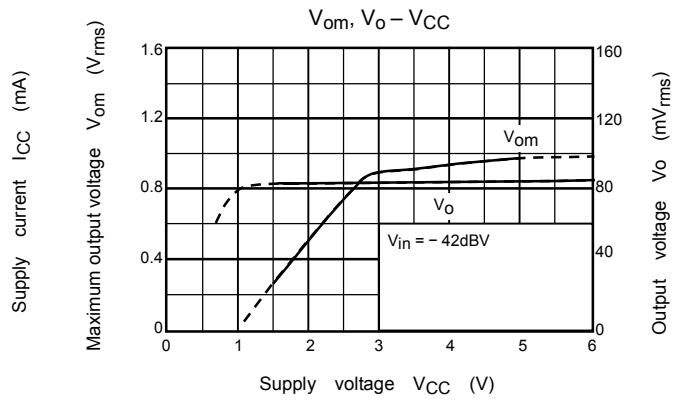
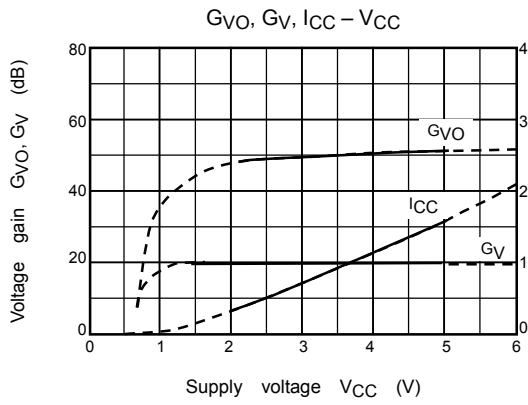
Characteristic	Symbol	Rating	Unit
Supply voltage	V _{CC}	8	V
Operating supply voltage	V _{CC}	5	V
Power dissipation	TA7330P	P _D (Note)	mW
	TA7330F		
Operating temperature	TA7330P	T _{opr}	°C
	TA7330F		
Storage temperature	T _{stg}	-55~150	°C

(Note) Derated above Ta = 25°C in the proportion of 3.2mW / °C for the TA7330P and 2.8mW / °C for the TA7330F.

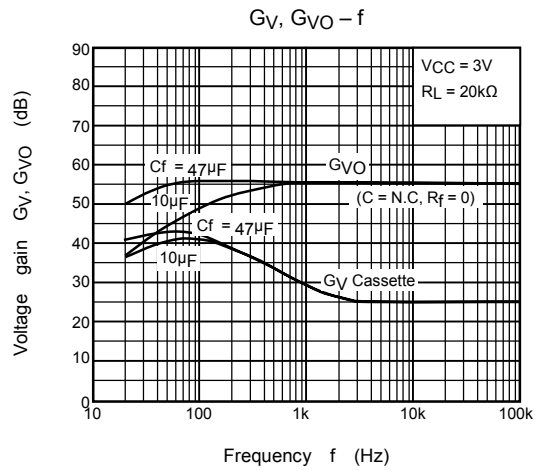
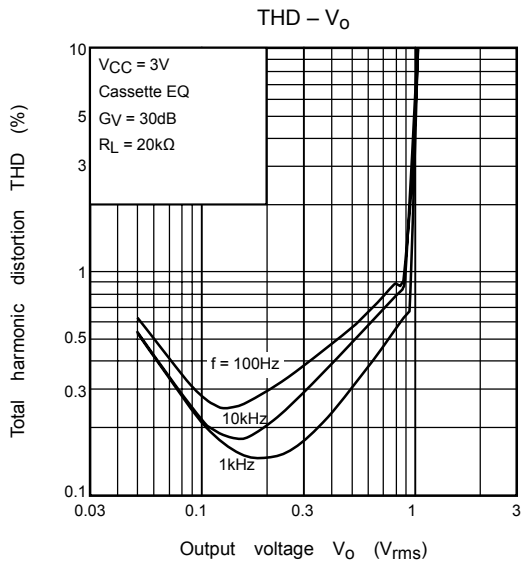
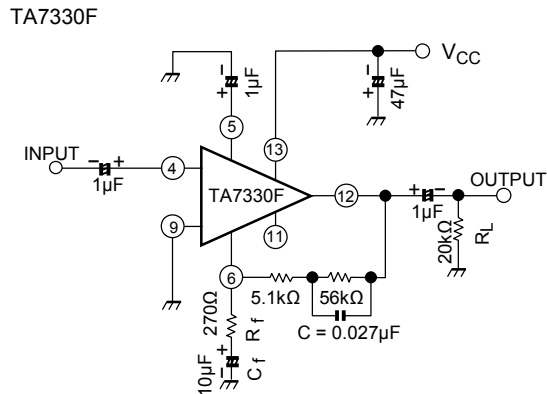
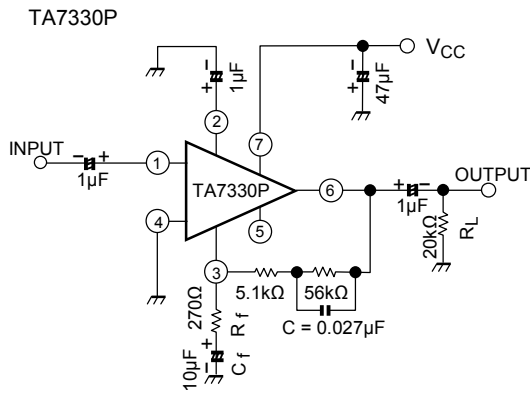
Electrical Characteristics (unless otherwise specified, V_{CC} = 3V, Ta = 25°C)

Characteristic	Symbol	Test Circuit	Test Condition	Min.	Typ.	Max.	Unit
Quiescent current	I _{CCQ} (1)	—		—	0.75	1	mA
	I _{CCQ} (2)	—	V _{CC} = 4.5V	—	1.38	1.8	
Open loop voltage gain	G _{VO}	—	f = 1kHz	40	50	—	dB
Closed loop voltage gain	G _V	—	f = 1kHz, R _{NF} = 10kΩ, R _f = 1kΩ, R _L = 10kΩ	—	20	—	dB
Maximum output voltage	V _{om}	—	f = 1kHz, THD = 1%, R _L = 10kΩ	0.5	0.9	—	V _{rms}
Input resistance	R _{IN}	—	f = 1kHz, R _{NF} = 10kΩ, R _f = 1kΩ	—	30	—	kΩ
Equivalent input noise voltage	V _{ni}	—	R _g = 2.2kΩ, BPF = 50Hz~20kHz	—	1.0	2.5	μV _{rms}
ALC range	W _{ALC}	—	f = 1kHz, ALC ON	—	40	—	dB





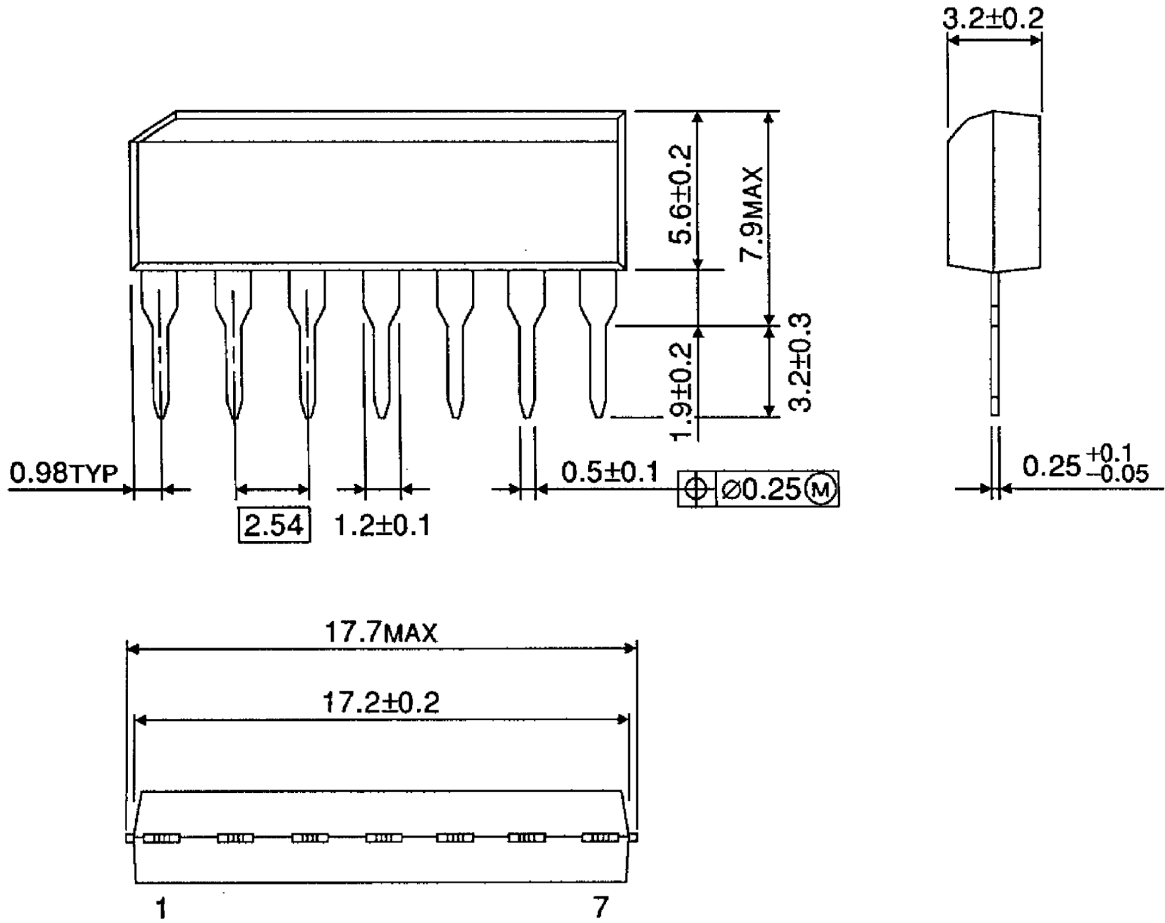
Application Circuit Cassette Equalizer



Package Dimensions

SIP7-P-2.54A

Unit : mm

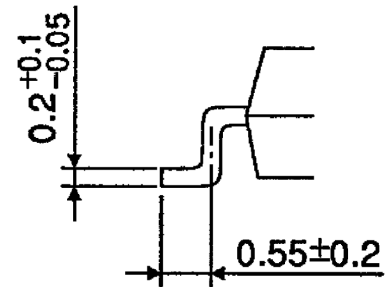
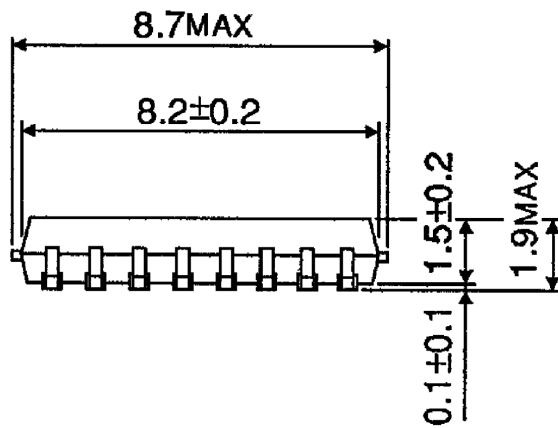
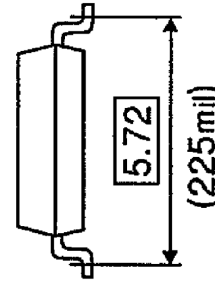
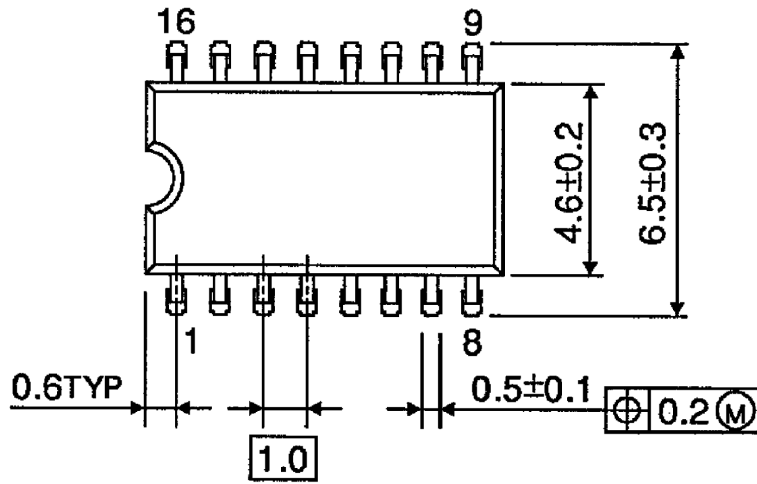


Weight: 0.72g (typ.)

Package Dimensions

SSOP16-P-225-1.00

Unit : mm



Weight: 0.14g (typ.)

RESTRICTIONS ON PRODUCT USE

000707EBA

- TOSHIBA is continually working to improve the quality and reliability of its products. Nevertheless, semiconductor devices in general can malfunction or fail due to their inherent electrical sensitivity and vulnerability to physical stress. It is the responsibility of the buyer, when utilizing TOSHIBA products, to comply with the standards of safety in making a safe design for the entire system, and to avoid situations in which a malfunction or failure of such TOSHIBA products could cause loss of human life, bodily injury or damage to property.
In developing your designs, please ensure that TOSHIBA products are used within specified operating ranges as set forth in the most recent TOSHIBA products specifications. Also, please keep in mind the precautions and conditions set forth in the "Handling Guide for Semiconductor Devices," or "TOSHIBA Semiconductor Reliability Handbook" etc..
- The TOSHIBA products listed in this document are intended for usage in general electronics applications (computer, personal equipment, office equipment, measuring equipment, industrial robotics, domestic appliances, etc.). These TOSHIBA products are neither intended nor warranted for usage in equipment that requires extraordinarily high quality and/or reliability or a malfunction or failure of which may cause loss of human life or bodily injury ("Unintended Usage"). Unintended Usage include atomic energy control instruments, airplane or spaceship instruments, transportation instruments, traffic signal instruments, combustion control instruments, medical instruments, all types of safety devices, etc.. Unintended Usage of TOSHIBA products listed in this document shall be made at the customer's own risk.
- The products described in this document are subject to the foreign exchange and foreign trade laws.
- The information contained herein is presented only as a guide for the applications of our products. No responsibility is assumed by TOSHIBA CORPORATION for any infringements of intellectual property or other rights of the third parties which may result from its use. No license is granted by implication or otherwise under any intellectual property or other rights of TOSHIBA CORPORATION or others.
- The information contained herein is subject to change without notice.