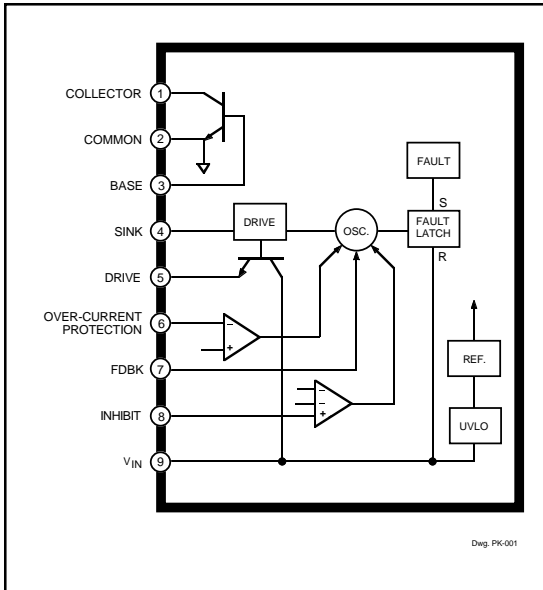


STR-S6703 AND STR-S6704

OFF-LINE SWITCHING REGULATORS – WITH BIPOLAR SWITCHING TRANSISTOR



ABSOLUTE MAXIMUM RATINGS

Supply Voltage, V_{IN}	15 V
Output Voltage, V_{CEX}	500 V
V_{EBO}	7 V
Continuous Output Current, I_C	See Table
1 ms Single-Pulse Output Current, I_{CM}	See Table
Sink Current, I_S	1.5 A
Drive Current, I_D	-700 mA
Feedback Current, I_{FDBK}	20 mA
Inhibit Voltage, V_{INH}	15 V
Over-Current Protection Voltage Range, V_{OCP}	$\pm 3.5 V$
Insulation Voltage, $V_{WM(RMS)}$	2000 V
Package Power Diss., P_D	See Graph
Output Junction Temperature, T_J ..	+150°C
Internal Frame Temperature, T_F ...	+125°C
Operating Temperature Range, T_A	-20°C to +125°C
Storage Temperature Range, T_{stg}	-40°C to +125°C

The STR-S6703 and STR-S6704 are specifically designed to meet the requirement for increased integration and reliability in off-line quasi-resonant flyback converters. These devices incorporate the primary control and proportional drive circuit with a third-generation high-voltage bipolar switching transistor.

Crucial system parameters such as maximum ON time and OFF time are fixed during manufacture. Local control circuit decoupling and layout are optimized within each device.

Cycle-by-cycle current limiting, under-voltage lock-out with hysteresis, over-voltage protection, and thermal shutdown protect these devices during all normal and overload conditions. Over-voltage protection and thermal shutdown are latched after a short delay. A versatile triple-level inhibit circuit includes the OFF time synchronization required to establish quasi-resonant operation. The inhibit function has also been expanded to initiate operation in stand-by mode in which the power supply delivers a small fraction of the steady-state output power. The dual requirements of dielectric isolation and low transient thermal impedance and steady-state thermal resistance are satisfied in an over-molded single-in-line power package.

Proven in substantial volumes, these devices and their fixed-frequency counterparts represent a significant advance in off-line SMPS reliability growth and integration. Similar devices, with an output voltage rating of 850 V and output power ratings to 220 W, are available as the STR-S6707 thru STR-S6709.

FEATURES

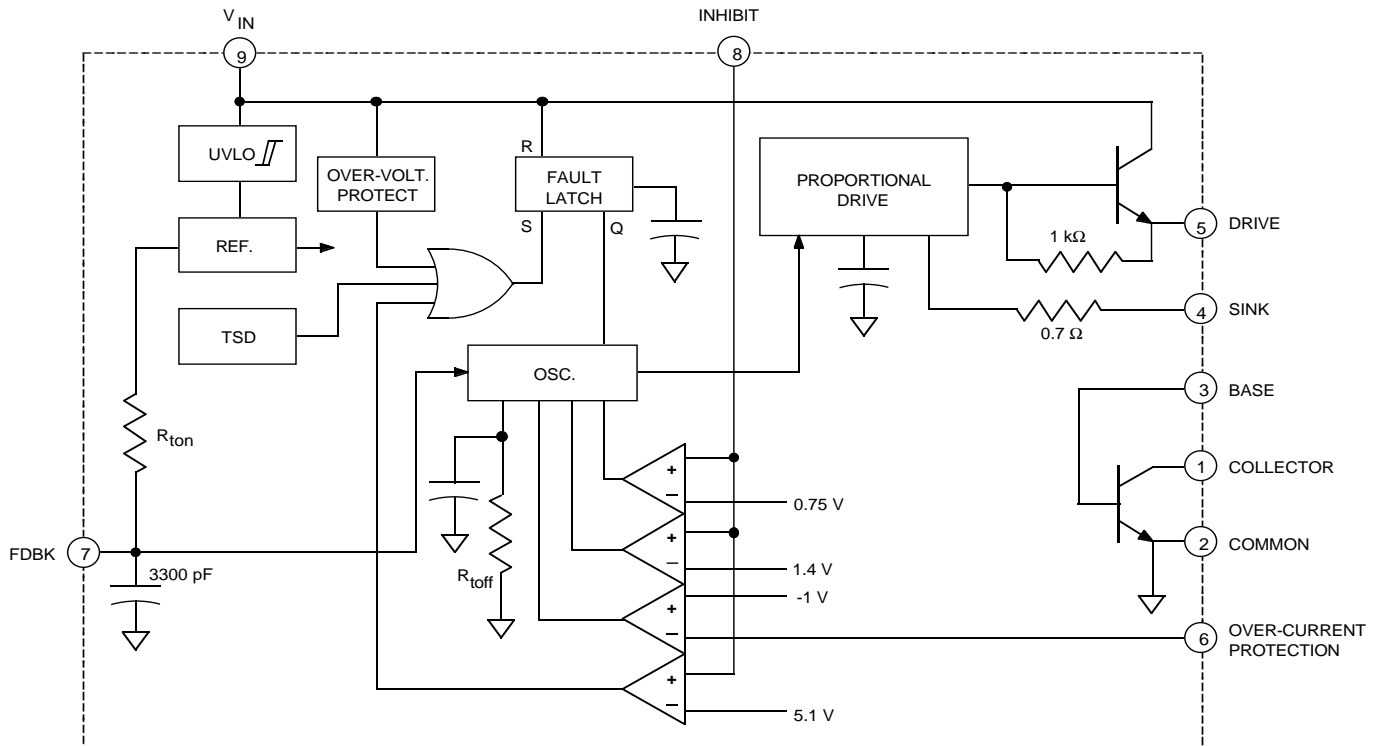
- Quasi-Resonant Operation for Low EMI and High Efficiency
- Output Power to 140 W
- Low-Power Output Standby Mode
- Pulse-by-Pulse Over-Current Protection
- Latched Over-Voltage and Thermal Protection
- Third-Generation Switching Transistor with Proportional Drive
- Maximum ON Time and OFF Time Set During Manufacture
- Internal Under-Voltage Lockout with Hysteresis
- Over-Molded SIP with Integral Isolated Heat Spreader

Always order by complete part number:

Part Number	Max. Cont. Current, I_C	Peak Current, I_{CM}
STR-S6703	6 A	12 A
STR-S6704	5 A	10 A

STR-S6703 AND STR-S6704 OFF-LINE QUASI-RESONANT FLYBACK SWITCHING REGULATORS

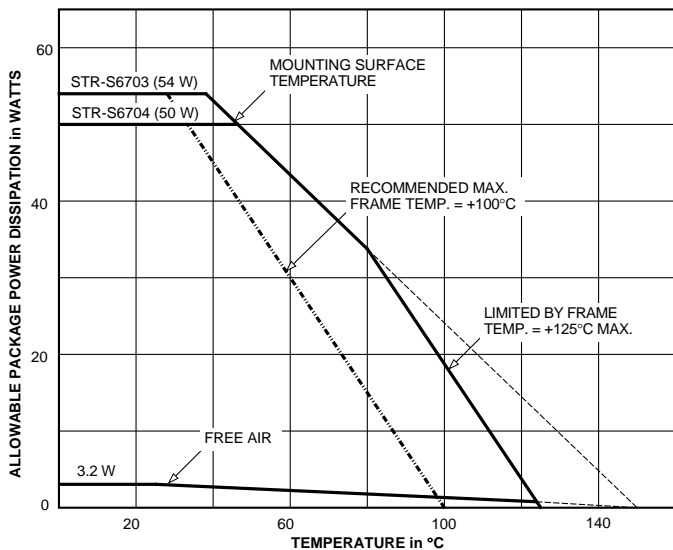
FUNCTIONAL BLOCK DIAGRAM



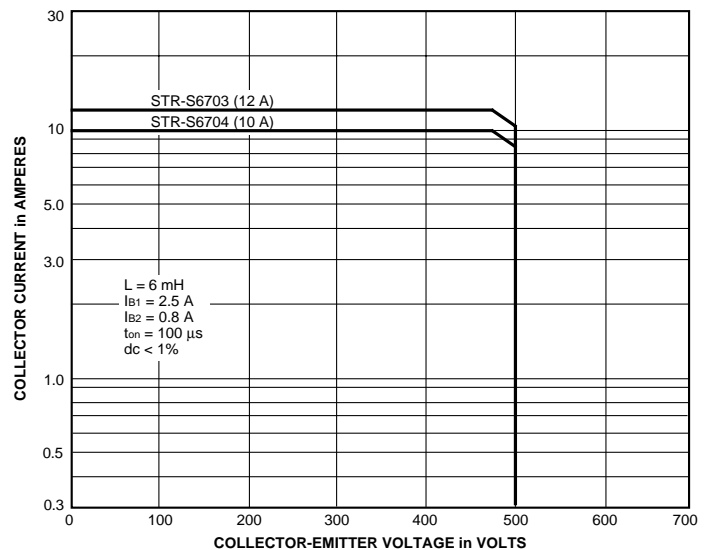
Dwg. FK-001

ALLOWABLE PACKAGE POWER DISSIPATION

MAXIMUM SAFE OPERATING AREA



Dwg. GK-003-3



Dwg. GK-002-3

STR-S6703 AND STR-S6704
OFF-LINE
QUASI-RESONANT FLYBACK
SWITCHING REGULATORS

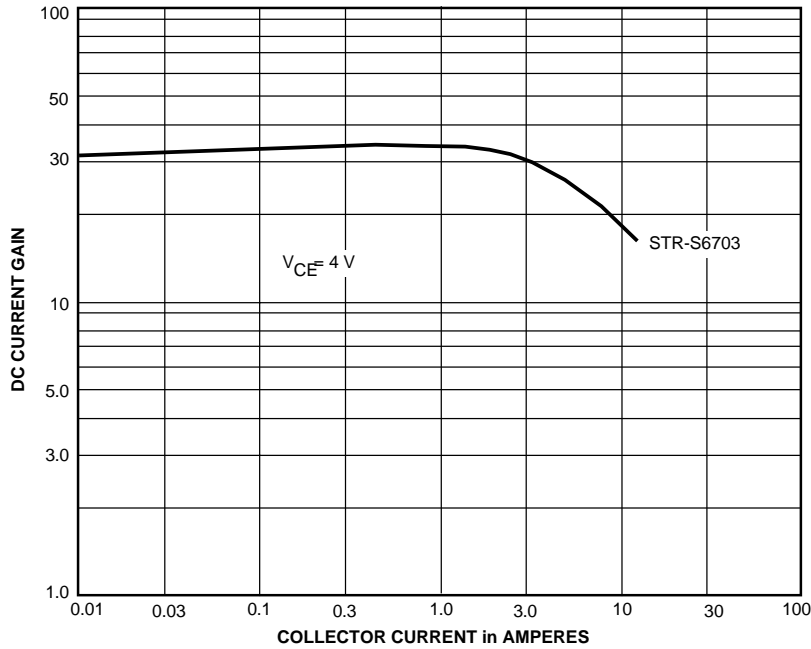
ELECTRICAL CHARACTERISTICS at $T_A = +25^\circ\text{C}$, $V_{IN} = 8.5\text{ V}$, voltage measurements are referred to Common (pin 2) (unless otherwise noted).

Characteristic	Symbol	Test Conditions	Limits			
			Min.	Typ.	Max.	Units
On-State Voltage	V_{INT}	Turn-on, increasing V_{IN}	7.6	8.0	8.4	V
Under-Voltage Lockout	V_{INQ}	Turn-off, decreasing V_{IN}	4.6	4.9	5.2	V
Over-Voltage Threshold	$V_{OVP(th)}$		9.2	⌀	10.7	V
Output Leakage Current	I_{CEX}	$V_{CE} = 500\text{ V}$, $V_{BE} = -1.5\text{ V}$	⌀	⌀	100	μA
Output Saturation Voltage	$V_{CE(sat)}$	STR-S6703, $I_C = 2\text{ A}$, $I_B = 400\text{ mA}$	⌀	⌀	400	mV
		STR-S6704, $I_C = 2\text{ A}$, $I_B = 400\text{ mA}$	⌀	⌀	TBD	mV
	$V_{BE(sat)}$	STR-S6703, $I_C = 2\text{ A}$, $I_B = 400\text{ mA}$	⌀	⌀	1.5	V
		STR-S6704, $I_C = 2\text{ A}$, $I_B = 400\text{ mA}$	⌀	⌀	TBD	V
DC Current Gain	h_{FE}	STR-S6703, $V_{CE} = 4\text{ V}$, $I_C = 1\text{ A}$	23	⌀	46	⌀
		STR-S6704, $V_{CE} = 4\text{ V}$, $I_C = 1\text{ A}$	20	⌀	50	⌀
Maximum ON Time	t_{on}		33	⌀	41	μs
Minimum OFF Time	t_{off}		45	⌀	55	μs
Over-Current Threshold	$V_{OCP(th)}$		-0.9	-1.0	-1.1	V
Feedback Threshold Volt.	$V_{FDBK(th)}$		⌀	650	⌀	mV
Inhibit Threshold Voltage	$V_{INH(th)}$	Oscillation stops	0.65	0.75	0.85	V
		Oscillation synchronized	⌀	1.4	2.0	V
		Oscillation stops (fault latch set)	3.2	5.1	5.6	V
Latch Holding Current	I_{INH}	V_{IN} reduced from 10.7 V to 4 V	⌀	⌀	500	μA
Latch Reset Voltage	V_Q	$I_{IN} \leq 100\ \mu\text{A}$, V_{IN} reduced from 10.7 V	2.5	3.1	⌀	V
Supply Current	$I_{IN(ON)}$	Operating	15	⌀	28	mA
	$I_{IN(OFF)}$		⌀	⌀	200	μA
Insulation RMS Voltage	$V_{WM(RMS)}$	All terminals simultaneous reference metal plate against backside	2000	⌀	⌀	V
Thermal Shutdown	T_J		125	150	⌀	$^\circ\text{C}$
Thermal Resistance	$R_{\theta JM}$	Output junction to mounting surface	⌀	2.0	⌀	$^\circ\text{C/W}$

NOTES: Negative current is defined as coming out of (sourcing) the specified device terminal.
Typical Data is for design information only.

STR-S6703 AND STR-S6704
OFF-LINE
QUASI-RESONANT FLYBACK
SWITCHING REGULATORS

TYPICAL CHARACTERISTICS

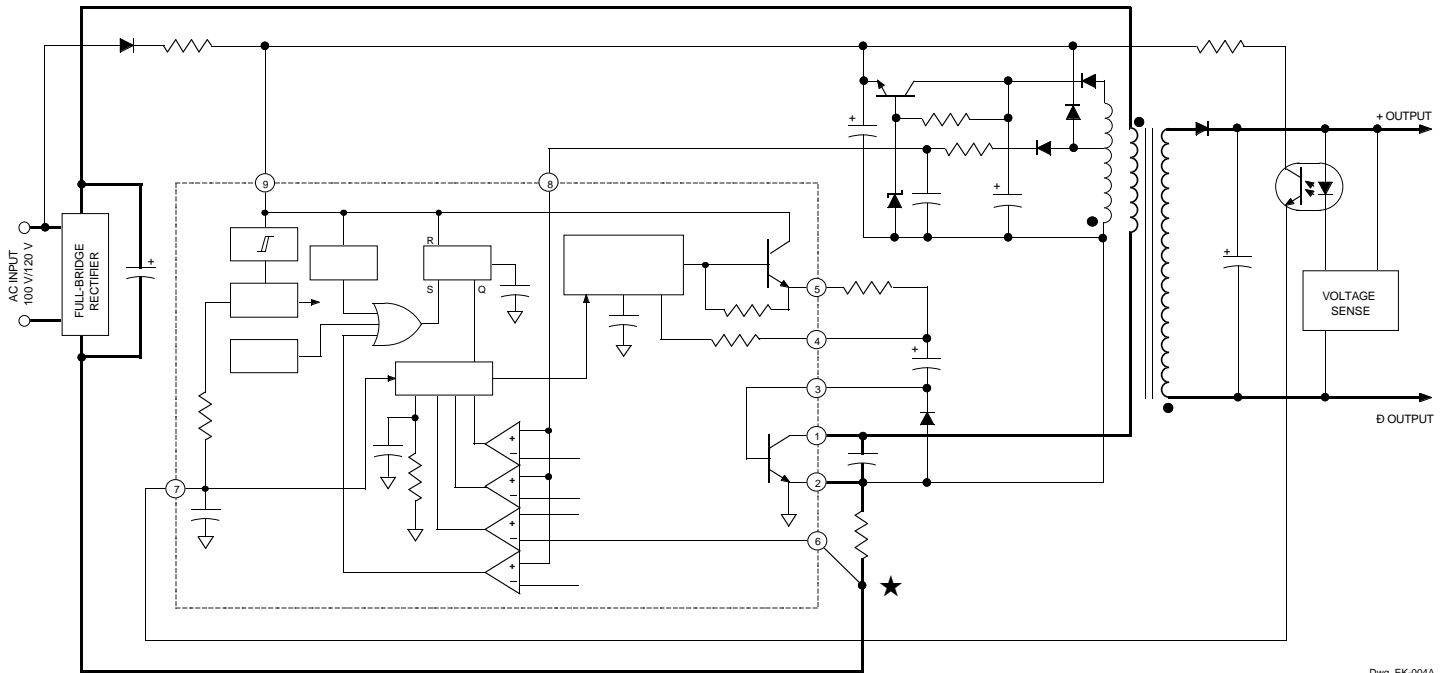


Dwg. GK-001-3

STR-S6703 AND STR-S6704 OFF-LINE QUASI-RESONANT FLYBACK SWITCHING REGULATORS

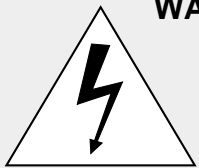
TYPICAL QUASI-RESONANT FLYBACK CONVERTER

WARNING: lethal potentials are present. See text.



Dwg. EK-004A

APPLICATIONS INFORMATION



WARNING ⚡ These devices are designed to be operated at lethal voltages and energy levels. Circuit designs that embody these components must conform with applicable safety requirements. Precautions must be taken to prevent accidental contact with power-line potentials. Do not connect grounded test equipment.

The use of an isolation transformer is recommended during circuit development and breadboarding.

Recommended mounting hardware torque:

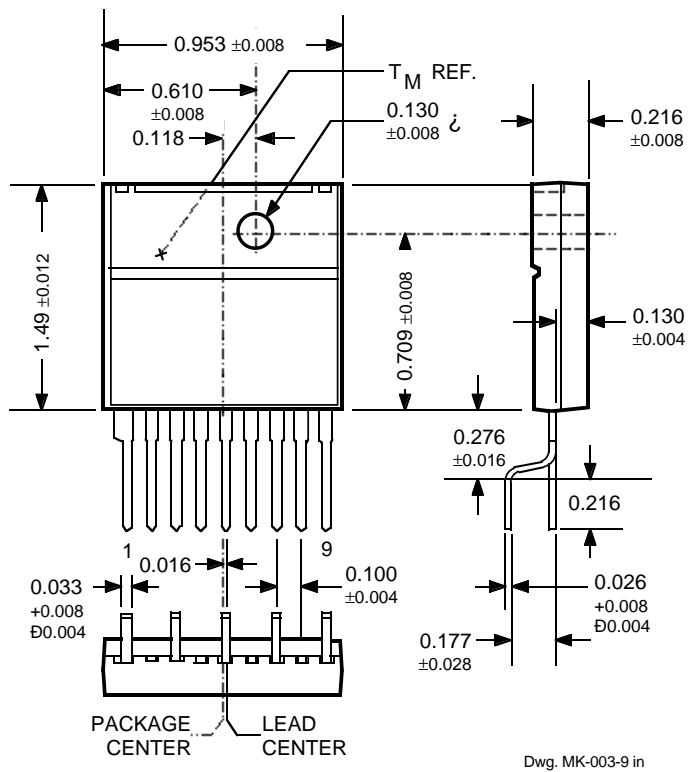
4.34 ÷ 5.79 lbf·ft (6 ÷ 8 kg·cm or 0.588 ÷ 0.784 Nm).

Recommended metal-oxide-filled, alkyl-degenerated oil base, silicone grease:

Dow Corning 340, or equivalent

STR-S6703 AND STR-S6704
OFF-LINE
QUASI-RESONANT FLYBACK
SWITCHING REGULATORS

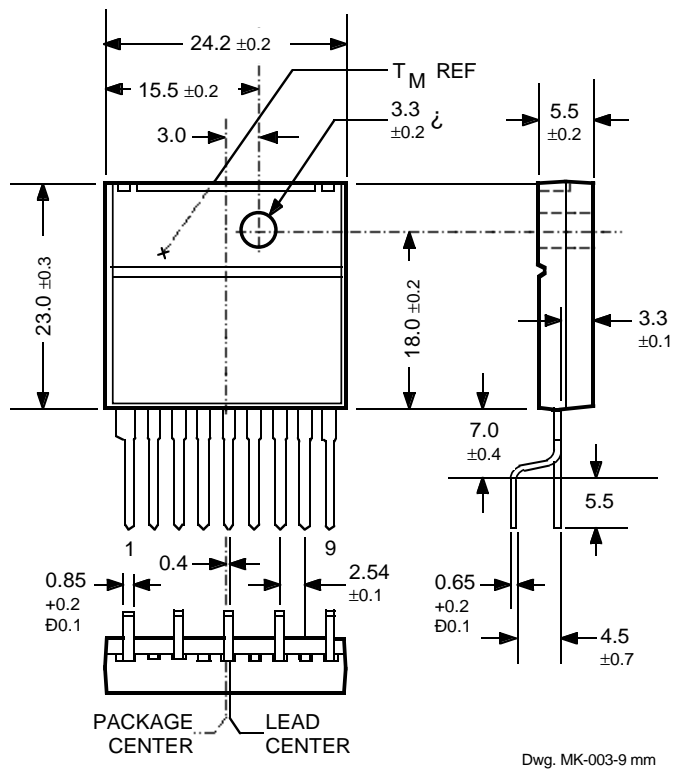
Dimensions in Inches
(for reference only)



NOTE: Exact body and lead configuration at vendor's option within limits shown.

STR-S6703 AND STR-S6704 OFF-LINE QUASI-RESONANT FLYBACK SWITCHING REGULATORS

Dimensions in Millimeters (controlling dimensions)



NOTE: Exact body and lead configuration at vendor's option within limits shown.

The products described here are manufactured in Japan by Sanken Electric Co., Ltd. for sale by Allegro MicroSystems, Inc.

Sanken Electric Co., Ltd. and Allegro MicroSystems, Inc. reserve the right to make, from time to time, such departures from the detail specifications as may be required to permit improvements in the design of their products.

The information included herein is believed to be accurate and reliable.

However, Sanken Electric Co., Ltd. and Allegro MicroSystems, Inc. assume no responsibility for its use; nor for any infringements of patents or other rights of third parties which may result from its use.

STR-S6703 AND STR-S6704
OFF-LINE
QUASI-RESONANT FLYBACK
SWITCHING REGULATORS

POWER CONVERSION/POWER MANAGEMENT
SELECTION GUIDES

SWITCHING REGULATOR PMCMs

Part Number*	Application	V_I	Max P_O		Power Switch	
3002M	5 V Switching Regulator and a 9 V Switching Regulator†	7.0-33 V	–	–	500 mA 400 mA	Bipolar Bipolar
3004M	5 V Switching Regulator and Dual 9 V Switching Regulator	7.0-33 V	–	–	500 mA 2 x 400 mA	Bipolar Bipolar
S5703	Quasi-Resonant Flyback Converter	110/120 V	140 W	500 V	6 A	Bipolar
S5707	Quasi-Resonant Flyback Converter	85-265 V 220/240V	90 W 140 W	850 V	6 A	Bipolar
S5708	Quasi-Resonant Flyback Converter	85-265 V 220/240 V	120 W 180 W	850 V	7.5 A	Bipolar
S6703	Quasi-Resonant Flyback Converter	110/120V	140 W	500 V	6 A	Bipolar
S6704	Quasi-Resonant Flyback Converter	110/120 V	100 W	500 V	5 A	Bipolar
S6707	Quasi-Resonant Flyback converter	85-265 V 220/240 V	90 W 140 W	850 V	6 A	Bipolar
S6708	Quasi-Resonant Flyback Converter	85-265 V 220/240 V	120 W 180 W	850 V	7.5 A	Bipolar
S6709	Quasi-Resonant Flyback Converter	85-265 V 220/240 V	160 W 220 W	850 V	10 A	Bipolar
8033S	3.3 V Switching Regulator	5.5-28 V	–	–	3 A	Bipolar
8050S	5.0 V Switching Regulator	7.0-40 V	–	–	3 A	Bipolar
8090S	9.0 V Switching Regulator	12-40V	–	–	3 A	Bipolar
8120S	12 V Switching Regulator	15-40 V	–	–	3 A	Bipolar
8150S	15 V Switching Regulator	18-40 V	–	–	3 A	Bipolar

* Complete part number includes additional characters to indicate operating temperature range and/or package style.

† Also includes linear regulator output for 15.7 V at 1.0 A.