



# STK7561G

## Chopper Type Parallel 2-Output Voltage Regulator

### Applications

- Serial printers, line printers, office automation equipment.
- Floppy disk units, portable VCRs.

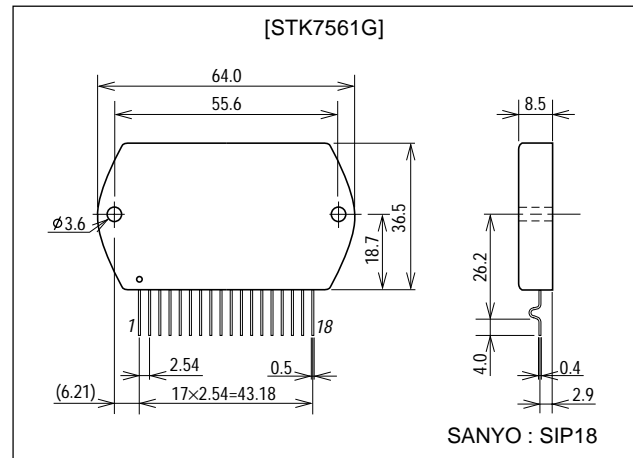
### Features

- 2 outputs for microcomputer power supply (5V) and motor drive power supply (12V) and capable of delivering 2 regulated voltage outputs from 1 rectifier.
- Chopper type permitting high efficiency, and separate excitation type oscillator common to 2 outputs causing no beat trouble.
- Independent overcurrent protectors for 2 outputs (Foldback characteristics)
- External signal-used output cutoff function (Output 2).
- High-precision setting of output voltage eliminating the need to use a variable resistor for adjustment.
- One input/output GND line making it possible for other negative voltage to be used jointly.
- A negative voltage regulator (-5V, -12V, etc.) can be connected externally.
- Output voltage, output current constituting a series.

### Package Dimensions

unit:mm

4050



### Specifications

Maximum Ratings at  $T_a = 25^\circ\text{C}$

Parameter	Symbol	Conditions	Output1	Output2	Unit
Maximum DC Input Voltage	$V_{in(DC) \max}$		50	50	V
Maximum Output Current	$I_O \max$	$A_v$	3	5	A
		$P_k$	3.6	10	A
Thermal Resistance	$\theta_{j-c}$		4.7	2.7	$^\circ\text{C/W}$
Operating Case Temperature	$T_c$			105	$^\circ\text{C}$
Junction Temperature	$T_j$			150	$^\circ\text{C}$
Storage Temperature	$T_{stg}$			-30 to +105	$^\circ\text{C}$

■ Any and all SANYO products described or contained herein do not have specifications that can handle applications that require extremely high levels of reliability, such as life-support systems, aircraft's control systems, or other applications whose failure can be reasonably expected to result in serious physical and/or material damage. Consult with your SANYO representative nearest you before using any SANYO products described or contained herein in such applications.

■ SANYO assumes no responsibility for equipment failures that result from using products at values that exceed, even momentarily, rated values (such as maximum ratings, operating condition ranges, or other parameters) listed in products specifications of any and all SANYO products described or contained herein.

**SANYO Electric Co., Ltd. Semiconductor Company**

TOKYO OFFICE Tokyo Bldg., 1-10, 1 Chome, Ueno, Taito-ku, TOKYO, 110-8534 JAPAN

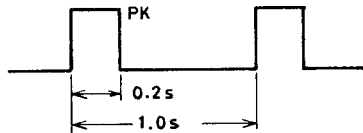
# STK7561G

## Operating Characteristics at $T_a = 25^\circ\text{C}$

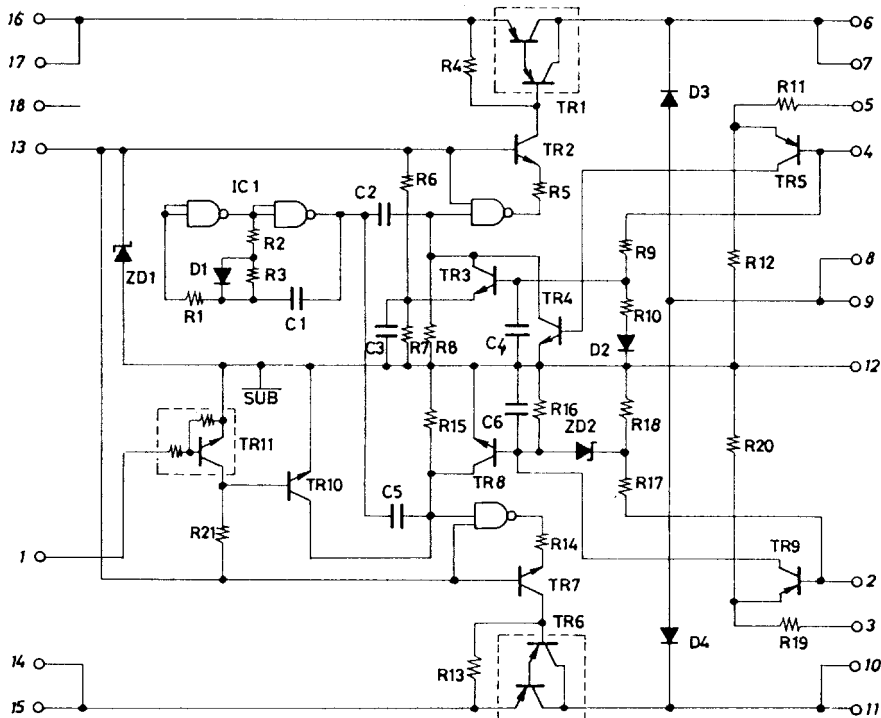
Parameter	Conditions	Output 1			Output 2			Unit
		Ratings			Ratings			
		min	typ	max	min	typ	max	
Output Voltage	Condition 1	4.9	5.0	5.1	11.8	12.0	12.2	V
Ripple Voltage	Condition 1			5			20	mVrms
Line Regulation	Condition 2			25			20	mV/V
Load Regulation	Condition 3			80			40	mV/A
Overcurrent Trip Start Current	Condition 4	3.6			10			A
Efficiency	Condition 5	75% typ at outputs 1, 2 operating mode						
Operating Frequency	Condition 1	35kHz typ at outputs 1, 2 operating mode						
Cutoff Voltage	Condition 1				3V or more ON			
					1V or less OFF			
Temperature Coefficient	Condition 1	-0.025			-0.01			%/°C

(Note) Condition 1 :  $V_{in(DC)}=25\text{V}, 5\text{V1A}, 12\text{V1A}$   
 Condition 2 :  $V_{in(DC)}=20\text{ to }30\text{V}, 5\text{V1A}, 12\text{V1A}$   
 Condition 3 Output 1 :  $V_{in(DC)}=25\text{V}, 5\text{V1A to }3.6\text{A}$   
 Output 2 :  $V_{in(DC)}=25\text{V}, 12\text{V1 to }10\text{A}$   
 Condition 4 :  $V_{in(DC)}=25\text{V}$   
 Condition 5 :  $V_{in(DC)}=25\text{V}, 5\text{V1.5A}, 12\text{V2.5A}$

## Definition of Peak Current

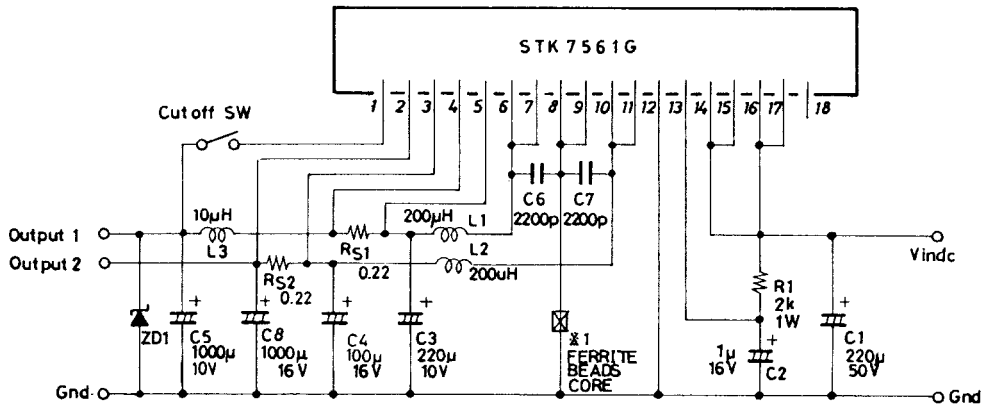


## Equivalent Circuit



- Since pin 12 is grounded to the substrate, noise may be affected when a heat sink is connected to the FG (Frame Ground), GND line, etc.  
 In this case, bring the heat sink to floating state or use an insulating sheet.

Test Circuit



ZD1 : Vz ≒ 6.8V/D.H.D. type (for overvoltage protection)  
 Unit (resistance: Ω, capacitance: F)

- \* The N.C. pin (pin 18) must not be used as a relay pin for other line, pin.
- \* Pins connected inside the IC (6-7, 8-9, 10-11, 14-15, 16-17) must be also connected on the printed circuit board.

- Specifications of any and all SANYO products described or contained herein stipulate the performance, characteristics, and functions of the described products in the independent state, and are not guarantees of the performance, characteristics, and functions of the described products as mounted in the customer's products or equipment. To verify symptoms and states that cannot be evaluated in an independent device, the customer should always evaluate and test devices mounted in the customer's products or equipment.
- SANYO Electric Co., Ltd. strives to supply high-quality high-reliability products. However, any and all semiconductor products fail with some probability. It is possible that these probabilistic failures could give rise to accidents or events that could endanger human lives, that could give rise to smoke or fire, or that could cause damage to other property. When designing equipment, adopt safety measures so that these kinds of accidents or events cannot occur. Such measures include but are not limited to protective circuits and error prevention circuits for safe design, redundant design, and structural design.
- In the event that any or all SANYO products(including technical data, services) described or contained herein are controlled under any of applicable local export control laws and regulations, such products must not be exported without obtaining the export license from the authorities concerned in accordance with the above law.
- No part of this publication may be reproduced or transmitted in any form or by any means, electronic or mechanical, including photocopying and recording, or any information storage or retrieval system, or otherwise, without the prior written permission of SANYO Electric Co., Ltd.
- Any and all information described or contained herein are subject to change without notice due to product/technology improvement, etc. When designing equipment, refer to the "Delivery Specification" for the SANYO product that you intend to use.
- Information (including circuit diagrams and circuit parameters) herein is for example only ; it is not guaranteed for volume production. SANYO believes information herein is accurate and reliable, but no guarantees are made or implied regarding its use or any infringements of intellectual property rights or other rights of third parties.

This catalog provides information as of November, 1999. Specifications and information herein are subject to change without notice.