

# SN54BCT29825, SN74BCT29825 8-BIT BUS-INTERFACE FLIP-FLOPS WITH 3-STATE OUTPUTS

SCBS075A – SEPTEMBER 1991 – REVISED NOVEMBER 1993

- State-of-the-Art BiCMOS Design Significantly Reduces  $I_{CCZ}$
- ESD Protection Exceeds 2000 V Per MIL-STD-883C, Method 3015; Exceeds 200 V Using Machine Model ( $C = 200$  pF,  $R = 0$ )
- 3-State Buffer-Type Outputs Drive Bus Lines Directly
- Package Options Include Plastic Small-Outline Packages (DW), Ceramic Chip Carriers (FK) and Flatpacks (W), and Standard Plastic and Ceramic 300-mil DIPs (JT, NT)

## description

These 8-bit bus-interface flip-flops feature 3-state outputs designed specifically for driving highly capacitive or relatively low-impedance loads. They are particularly suitable for implementing wider buffer registers, I/O ports, bidirectional bus drivers with parity, and working registers.

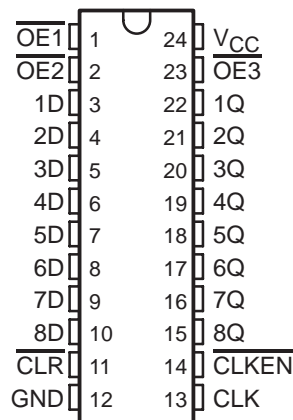
The eight flip-flops are edge-triggered D-type flip-flops. With the clock-enable ( $\overline{CLKEN}$ ) input low, the device enters data on the low-to-high transition of the clock. Taking  $\overline{CLKEN}$  high disables the clock buffer, thus latching the outputs. Taking the clear ( $\overline{CLR}$ ) input low causes the eight Q outputs to go low independently of the clock.

Buffered output-enable ( $\overline{OE1}$ ,  $\overline{OE2}$ , or  $\overline{OE3}$ ) inputs can be used to place the eight outputs in either a normal logic state (high or low) or a high-impedance state. In the high-impedance state, the outputs neither load nor drive the bus lines significantly. The high-impedance state and increased drive provide the capability to drive bus lines without need for interface or pullup components.

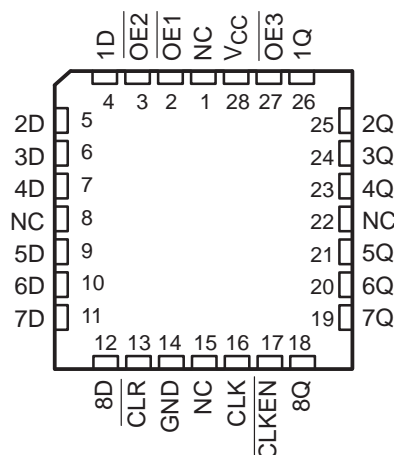
The output-enable inputs do not affect the internal operation of the flip-flops. Old data can be retained or new data can be entered while the outputs are in the high-impedance state.

The SN54BCT29825 is characterized for operation over the full military temperature range of  $-55^{\circ}\text{C}$  to  $125^{\circ}\text{C}$ . The SN74BCT29825 is characterized for operation from  $0^{\circ}\text{C}$  to  $70^{\circ}\text{C}$ .

SN54BCT29825 . . . JT OR W PACKAGE  
SN74BCT29825 . . . DW OR NT PACKAGE  
(TOP VIEW)



SN54BCT29825 . . . FK PACKAGE  
(TOP VIEW)



NC – No internal connection

# SN54BCT29825, SN74BCT29825 8-BIT BUS-INTERFACE FLIP-FLOPS WITH 3-STATE OUTPUTS

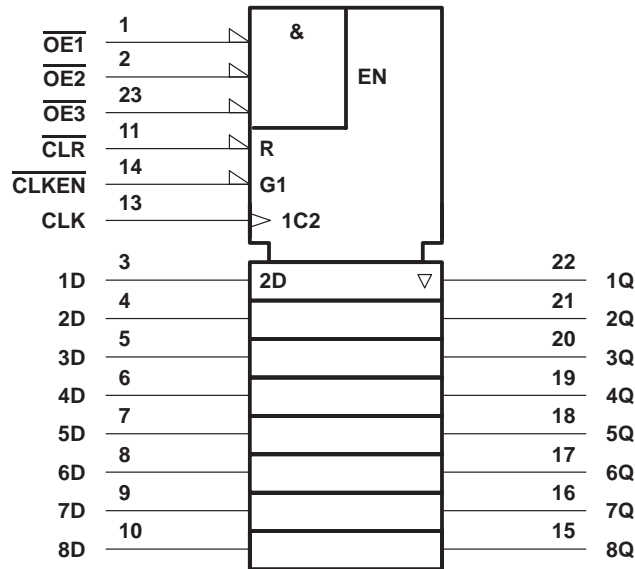
SCBS075A – SEPTEMBER 1991 – REVISED NOVEMBER 1993

FUNCTION TABLE

INPUTS					OUTPUT
$\overline{OE}\dagger$	$\overline{CLR}$	$\overline{CLKEN}$	CLK	D	Q
L	L	X	X	X	L
L	H	L	↑	H	H
L	H	L	↑	L	L
L	H	H	H or L	X	$Q_0$
H	X	X	X	X	Z

†  $\overline{OE}$  = H if any of the output-enable inputs is high.  
 $\overline{OE}$  = L if all of the output-enable inputs are low.

## logic symbol‡

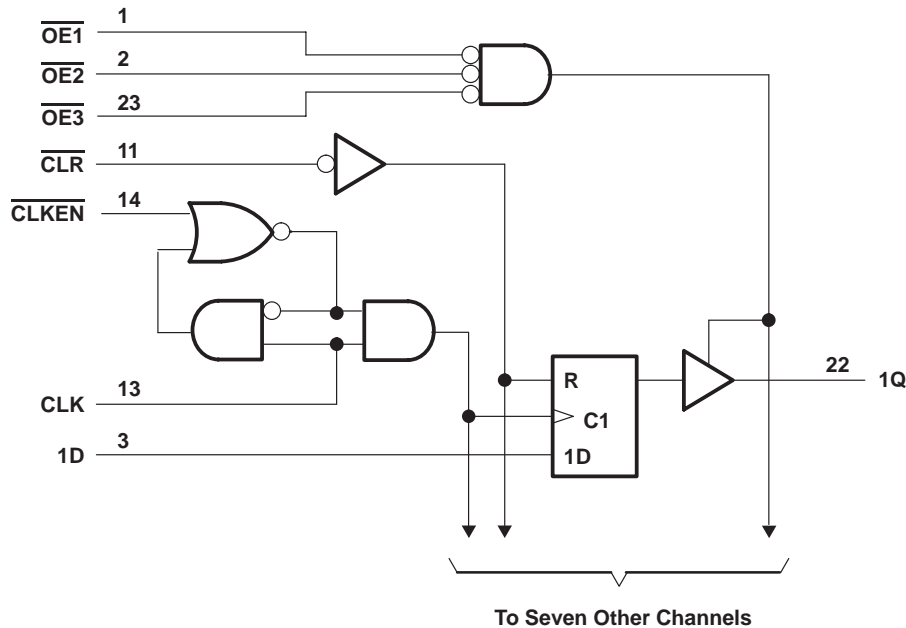


‡ This symbol is in accordance with ANSI/IEEE Std 91-1984 and IEC Publication 617-12.  
 Pin numbers shown are for the DW, JT, NT, and W packages.

# SN54BCT29825, SN74BCT29825 8-BIT BUS-INTERFACE FLIP-FLOPS WITH 3-STATE OUTPUTS

SCBS075A – SEPTEMBER 1991 – REVISED NOVEMBER 1993

## logic diagram (positive logic)



Pin numbers shown are for the DW, JT, NT, and W packages.

## absolute maximum ratings over operating free-air temperature range (unless otherwise noted)†

Supply voltage range, $V_{CC}$ .....	-0.5 V to 7 V
Input voltage range, $V_I$ (see Note 1) .....	-0.5 V to 7 V
Voltage range applied to any output in the disabled or power-off state, $V_O$ .....	-0.5 V to 5.5 V
Voltage range applied to any output in the high state, $V_O$ .....	-0.5 V to $V_{CC}$
Input clamp current, $I_{IK}$ ( $V_I < 0$ ) .....	-30 mA
Current into any output in the low state, $I_O$ : SN54BCT29825 .....	48 mA
SN74BCT29825 .....	96 mA
Operating free-air temperature range: SN54BCT29825 .....	-55°C to 125°C
SN74BCT29825 .....	0°C to 70°C
Storage temperature range .....	-65°C to 150°C

† Stresses beyond those listed under "absolute maximum ratings" may cause permanent damage to the device. These are stress ratings only, and functional operation of the device at these or any other conditions beyond those indicated under "recommended operating conditions" is not implied. Exposure to absolute-maximum-rated conditions for extended periods may affect device reliability.

NOTE 1: The input and output negative-voltage ratings may be exceeded if the input and output clamp-current ratings are observed.

## recommended operating conditions

	SN54BCT29825			SN74BCT29825			UNIT
	MIN	NOM	MAX	MIN	NOM	MAX	
$V_{CC}$ Supply voltage	4.5	5	5.5	4.5	5	5.5	V
$V_{IH}$ High-level input voltage	2			2			V
$V_{IL}$ Low-level input voltage			0.8			0.8	V
$I_{IK}$ Input clamp current			-18			-18	mA
$I_{OH}$ High-level output current			-15			-24	mA
$I_{OL}$ Low-level output current			24			48	mA
$T_A$ Operating free-air temperature	-55		125	0		70	°C



# SN54BCT29825, SN74BCT29825

## 8-BIT BUS-INTERFACE FLIP-FLOPS

### WITH 3-STATE OUTPUTS

SCBS075A – SEPTEMBER 1991 – REVISED NOVEMBER 1993

electrical characteristics over recommended operating free-air temperature range (unless otherwise noted)

PARAMETER	TEST CONDITIONS		SN54BCT29825			SN74BCT29825			UNIT
			MIN	TYP†	MAX	MIN	TYP†	MAX	
$V_{IK}$	$V_{CC} = 4.5 V$ ,	$I_I = -18 mA$	-1.2			-1.2			V
$V_{OH}$	$V_{CC} = 4.5 V$	$I_{OH} = -15 mA$	2	3.2		2.4	3.3	V	
		$I_{OH} = -24 mA$				2	3.1		
$V_{OL}$	$V_{CC} = 4.75 V$ ,	$I_{OH} = -3 mA$				2.7		V	
		$V_{CC} = 4.5 V$	$I_{OL} = 24 mA$		0.38	0.55			
		$I_{OL} = 48 mA$				0.42	0.55		
$I_I$	$V_{CC} = 5.5 V$ ,	$V_I = 7 V$	0.1			0.1			mA
$I_{IH}$	$V_{CC} = 5.5 V$ ,	$V_I = 2.7 V$	-10		-75	-10		-75	$\mu A$
$I_{IL}$	$V_{CC} = 5.5 V$ ,	$V_I = 0.5 V$	-0.2			-0.2			mA
$I_{OS}^\ddagger$	$V_{CC} = 5.5 V$ ,	$V_O = 0$	-75		-250	-75		-250	mA
$I_{OZH}$	$V_{CC} = 5.5 V$ ,	$V_O = 2.7 V$	20			20			$\mu A$
$I_{OZL}$	$V_{CC} = 5.5 V$ ,	$V_O = 0.5 V$	-20			-20			$\mu A$
$I_{CCL}$	$V_{CC} = 5.5 V$ ,	Outputs open	26		40	26		40	mA
$I_{CCH}$	$V_{CC} = 5.5 V$ ,	Outputs open	10		16	10		16	mA
$I_{CCZ}$	$V_{CC} = 5.5 V$ ,	Outputs open	6		10	6		10	mA
$C_i$	$V_{CC} = 5 V$ ,	$V_I = 2.5 V$ or $0.5 V$	5			5			pF
$C_o$	$V_{CC} = 5 V$ ,	$V_O = 2.5 V$ or $0.5 V$	7			7			pF

† All typical values are at  $V_{CC} = 5 V$ ,  $T_A = 25^\circ C$ .

‡ Not more than one output should be tested at a time, and the duration of the test should not exceed one second.

timing requirements over recommended ranges of supply voltage and operating free-air temperature (unless otherwise noted)

		$V_{CC} = 5 V$ , $T_A = 25^\circ C$		SN54BCT29825		SN74BCT29825		UNIT
		MIN	MAX	MIN	MAX	MIN	MAX	
$f_{clock}$	Clock frequency	0	125	0	125	0	125	MHz
$t_w$	Pulse duration	$\overline{CLR}$ low	4	4	4	4	ns	
		CLK high or low	4	4	4			
$t_{su}$	Setup time before CLK $\uparrow$	Data high	6	6	6	ns		
		Data low	3.5	3.5	3.5			
		$\overline{CLR}$	1	1	1			
		$\overline{CLKEN}$ high or low	8	8	8			
$t_h$	Hold time after CLK $\uparrow$	Data high	1.5	1.5	1.5	ns		
		Data low	0	0	0			
		$\overline{CLKEN}$ high or low	0.5	0.5	0.5			



**SN54BCT29825, SN74BCT29825**  
**8-BIT BUS-INTERFACE FLIP-FLOPS**  
**WITH 3-STATE OUTPUTS**

SCBS075A – SEPTEMBER 1991 – REVISED NOVEMBER 1993

switching characteristics over recommended ranges of supply voltage and operating free-air temperature,  $C_L = 50$  pF (unless otherwise noted) (see Note 2)

PARAMETER	FROM (INPUT)	TO (OUTPUT)	$V_{CC} = 5$ V, $T_A = 25^\circ$ C			SN54BCT29825		SN74BCT29825		UNIT
			MIN	TYP	MAX	MIN	MAX	MIN	MAX	
$f_{max}$			125			125		125		MHz
$t_{PLH}$	CLK	Q	2.2	5.4	7.8	2.2	9.9	2.2	9	ns
$t_{PHL}$			3.1	5.9	7.7	3.1	9.1	3.1	8.4	
$t_{PHL}$	$\overline{CLR}$	Q	3	6.4	8.3	3	9.6	3	9.5	ns
$t_{PZH}$	$\overline{OE}$	Q	2.1	6.2	8.4	2.1	10.8	2.1	10.3	ns
$t_{PZL}$			5.1	9.1	11.4	5.1	13.6	5.1	13.2	
$t_{PHZ}$	$\overline{OE}$	Q	2.4	5.9	7.8	2.4	9.8	2.4	9	ns
$t_{PLZ}$			1.8	5.2	7.2	1.8	9.2	1.8	8.2	

NOTE 2: Load circuits and voltage waveforms are shown in Section 1.





## IMPORTANT NOTICE

Texas Instruments Incorporated and its subsidiaries (TI) reserve the right to make corrections, modifications, enhancements, improvements, and other changes to its products and services at any time and to discontinue any product or service without notice. Customers should obtain the latest relevant information before placing orders and should verify that such information is current and complete. All products are sold subject to TI's terms and conditions of sale supplied at the time of order acknowledgment.

TI warrants performance of its hardware products to the specifications applicable at the time of sale in accordance with TI's standard warranty. Testing and other quality control techniques are used to the extent TI deems necessary to support this warranty. Except where mandated by government requirements, testing of all parameters of each product is not necessarily performed.

TI assumes no liability for applications assistance or customer product design. Customers are responsible for their products and applications using TI components. To minimize the risks associated with customer products and applications, customers should provide adequate design and operating safeguards.

TI does not warrant or represent that any license, either express or implied, is granted under any TI patent right, copyright, mask work right, or other TI intellectual property right relating to any combination, machine, or process in which TI products or services are used. Information published by TI regarding third-party products or services does not constitute a license from TI to use such products or services or a warranty or endorsement thereof. Use of such information may require a license from a third party under the patents or other intellectual property of the third party, or a license from TI under the patents or other intellectual property of TI.

Reproduction of TI information in TI data books or data sheets is permissible only if reproduction is without alteration and is accompanied by all associated warranties, conditions, limitations, and notices. Reproduction of this information with alteration is an unfair and deceptive business practice. TI is not responsible or liable for such altered documentation. Information of third parties may be subject to additional restrictions.

Resale of TI products or services with statements different from or beyond the parameters stated by TI for that product or service voids all express and any implied warranties for the associated TI product or service and is an unfair and deceptive business practice. TI is not responsible or liable for any such statements.

TI products are not authorized for use in safety-critical applications (such as life support) where a failure of the TI product would reasonably be expected to cause severe personal injury or death, unless officers of the parties have executed an agreement specifically governing such use. Buyers represent that they have all necessary expertise in the safety and regulatory ramifications of their applications, and acknowledge and agree that they are solely responsible for all legal, regulatory and safety-related requirements concerning their products and any use of TI products in such safety-critical applications, notwithstanding any applications-related information or support that may be provided by TI. Further, Buyers must fully indemnify TI and its representatives against any damages arising out of the use of TI products in such safety-critical applications.

TI products are neither designed nor intended for use in military/aerospace applications or environments unless the TI products are specifically designated by TI as military-grade or "enhanced plastic." Only products designated by TI as military-grade meet military specifications. Buyers acknowledge and agree that any such use of TI products which TI has not designated as military-grade is solely at the Buyer's risk, and that they are solely responsible for compliance with all legal and regulatory requirements in connection with such use.

TI products are neither designed nor intended for use in automotive applications or environments unless the specific TI products are designated by TI as compliant with ISO/TS 16949 requirements. Buyers acknowledge and agree that, if they use any non-designated products in automotive applications, TI will not be responsible for any failure to meet such requirements.

Following are URLs where you can obtain information on other Texas Instruments products and application solutions:

<b>Products</b>		<b>Applications</b>	
Amplifiers	<a href="http://amplifier.ti.com">amplifier.ti.com</a>	Audio	<a href="http://www.ti.com/audio">www.ti.com/audio</a>
Data Converters	<a href="http://dataconverter.ti.com">dataconverter.ti.com</a>	Automotive	<a href="http://www.ti.com/automotive">www.ti.com/automotive</a>
DLP® Products	<a href="http://www.dlp.com">www.dlp.com</a>	Communications and Telecom	<a href="http://www.ti.com/communications">www.ti.com/communications</a>
DSP	<a href="http://dsp.ti.com">dsp.ti.com</a>	Computers and Peripherals	<a href="http://www.ti.com/computers">www.ti.com/computers</a>
Clocks and Timers	<a href="http://www.ti.com/clocks">www.ti.com/clocks</a>	Consumer Electronics	<a href="http://www.ti.com/consumer-apps">www.ti.com/consumer-apps</a>
Interface	<a href="http://interface.ti.com">interface.ti.com</a>	Energy	<a href="http://www.ti.com/energy">www.ti.com/energy</a>
Logic	<a href="http://logic.ti.com">logic.ti.com</a>	Industrial	<a href="http://www.ti.com/industrial">www.ti.com/industrial</a>
Power Mgmt	<a href="http://power.ti.com">power.ti.com</a>	Medical	<a href="http://www.ti.com/medical">www.ti.com/medical</a>
Microcontrollers	<a href="http://microcontroller.ti.com">microcontroller.ti.com</a>	Security	<a href="http://www.ti.com/security">www.ti.com/security</a>
RFID	<a href="http://www.ti-rfid.com">www.ti-rfid.com</a>	Space, Avionics & Defense	<a href="http://www.ti.com/space-avionics-defense">www.ti.com/space-avionics-defense</a>
RF/IF and ZigBee® Solutions	<a href="http://www.ti.com/lprf">www.ti.com/lprf</a>	Video and Imaging	<a href="http://www.ti.com/video">www.ti.com/video</a>
		Wireless	<a href="http://www.ti.com/wireless-apps">www.ti.com/wireless-apps</a>