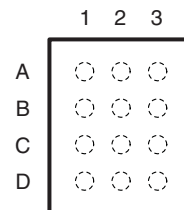


VOLTAGE-LEVEL SHIFTER FOR IC-USB INTERFACE

FEATURES

- V_{CCA} , V_{CCB} Supply Voltage: 1.1 V to 3.6 V
- When $V_{CCB} = 0$ V, A-Port is Disabled and B-Port is Held at GND Through 120-k Ω Pulldown
- Crossover Skew of <1 ns
- Meets All Requirements of the IC-USB Standard
- Small Package: 0.4 mm pitch WCSP (1.2 mm \times 1.6 mm)
- Latch-Up Performance Exceeds 100 mA Per JESD 78, Class II ESD Performance
 - A-Port (Host Side)
 - 2000-V Human-Body Model
 - 1000-V Charged-Device Model
 - B-Port (Peripheral Side)
 - 8000-V Contact Discharge
 - 15000-V Air-Gap Discharge

**YFP PACKAGE
(TOP VIEW)**


	1	2	3
A	PD_EN	V_{CCA}	V_{CCB}
B	D+(A)	V_{CCA}	D+(B)
C	D-(A)	GND	D-(B)
D	DIR	GND	DIR_POL

DESCRIPTION/ORDERING INFORMATION

The SN74AVC2T872 is a 2-bit voltage level translator optimized for use in interchip USB (IC-USB) applications. V_{CCA} and V_{CCB} can each operate over the full range of 1.1 V to 3.6 V. The device has been designed to maintain crossover skew to be less than 1 ns. Each B-port has an integrated 120-k Ω pulldown resistor that can be enabled and disabled using the PD_EN control signal. If $V_{CCB} = 0$ V, the A-port I/Os are disabled (Hi-Z) and the B-port I/Os are held to GND through the 120-k Ω resistors. If $V_{CCA} = 0$ V, the A-port and B-port I/Os are disabled (Hi-Z).

ORDERING INFORMATION

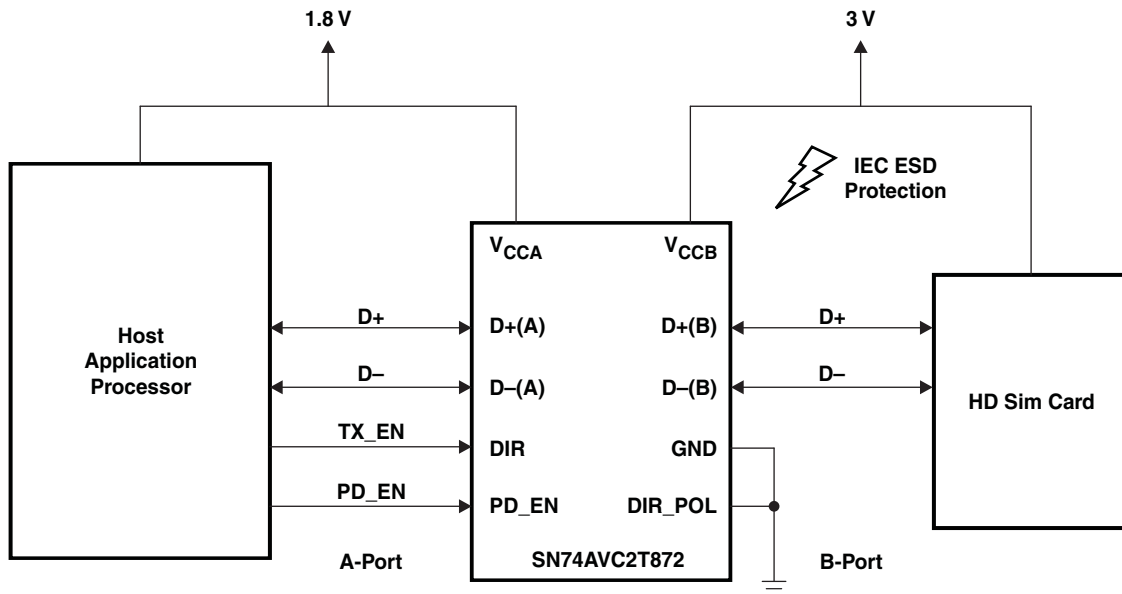
T_A	PACKAGE ⁽¹⁾⁽²⁾		ORDERABLE PART NUMBER	TOP-SIDE MARKING ⁽³⁾
–40°C to 85°C	WCSP – YFP	Reel of 3000	SN74AVC2T872YFPR	___ TU _

- (1) For the most current package and ordering information, see the Package Option Addendum at the end of this document, or see the TI web site at www.ti.com.
- (2) Package drawings, thermal data, and symbolization are available at www.ti.com/packaging.
- (3) YFP: The actual top-side marking has three preceding characters to denote year, month, and sequence code, and one following character to designate the assembly/test site. Pin 1 identifier indicates solder-bump composition (1 = SnPb, • = Pb-free).

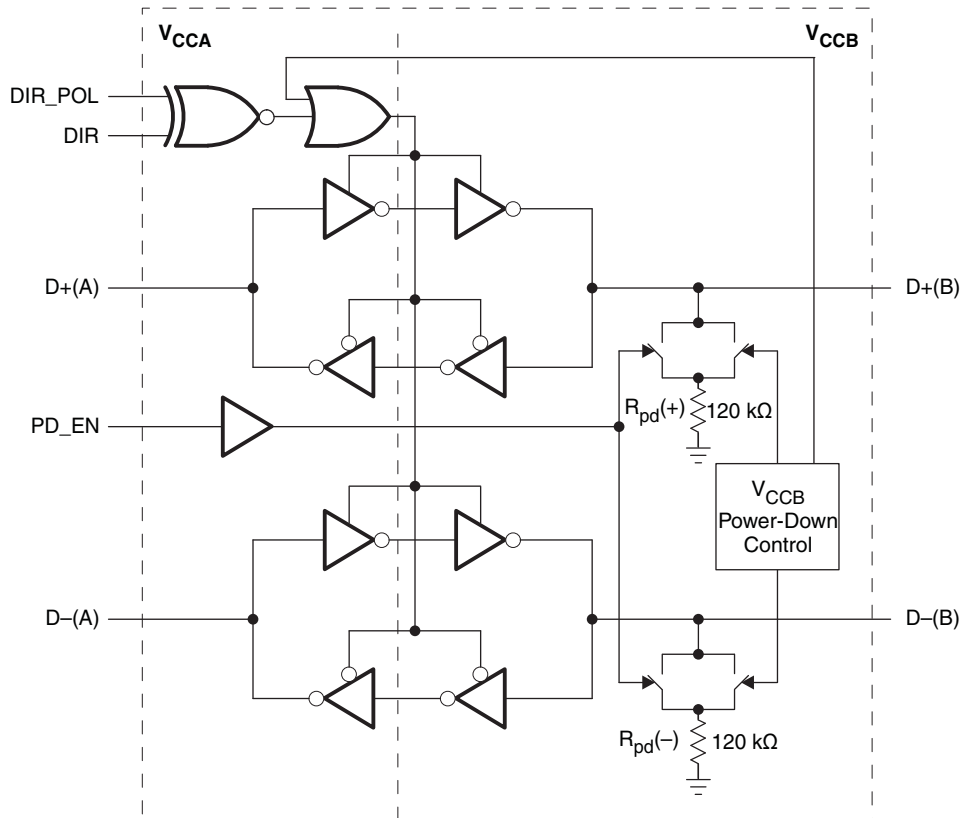


Please be aware that an important notice concerning availability, standard warranty, and use in critical applications of Texas Instruments semiconductor products and disclaimers thereto appears at the end of this data sheet.

TYPICAL APPLICATION BLOCK DIAGRAM



LOGIC DIAGRAM



TERMINAL FUNCTIONS

BALL NO.	NAME	FUNCTION
A1	PD_EN	Input to enable pulldown resistors on B-side. PD_EN = Low will disconnect the pulldown resistors. PD_EN = High will connect the pulldown resistors.
A2, B2	V _{CCA}	A-side supply voltage (1.1 V to 3.6 V)
A3	V _{CCB}	B-side supply voltage (1.1 V to 3.6 V)
B1	D+(A)	USB data signal connected to host.
B3	D+(B)	USB data signal connected to peripheral with internal 120 kΩ resistor to GND that can be disconnected by PD_EN.
C1	D–(A)	USB data signal connected to host.
C2, D2	GND	Ground
C3	D–(B)	USB data signal connected to peripheral with internal 120 kΩ resistor to GND that can be disconnected by PD_EN.
D1	DIR	Direction control input. If DIR_POL = Low, then DIR = Low allows A to B data flow. If DIR_POL = High, then DIR = High allows A to B data flow.
D3	DIR_POL	Direction polarity chooser. If DIR_POL = Low, then DIR = Low allows A to B data flow. If DIR_POL = High, then DIR = High allows A to B data flow.

FUNCTION TABLE

INPUTS		A-SIDE	B-SIDE	FUNCTION
DIR_POL	DIR			
L	L	Input	Output	A-to-B Data Flow
L	H	Output	Input	B-to-A Data Flow
H	L	Output	Input	B-to-A Data Flow
H	H	Input	Output	A-to-B Data Flow

B-SIDE PULLDOWN RESISTOR BEHAVIOR

V _{CCA}	V _{CCB}	PD_EN	PULLDOWN RESISTOR
			B-SIDE
0 V	X	X	None
1.1 to 3.6 V	0 V	X	120 kΩ to GND
1.1 to 3.6 V	1.1 to 3.6 V	L	None
1.1 to 3.6 V	1.1 to 3.6 V	H	120 kΩ to GND

ABSOLUTE MAXIMUM RATINGS⁽¹⁾

over operating free-air temperature range (unless otherwise noted)

		MIN	MAX	UNIT		
V_{CCA} V_{CCB}	Supply voltage range	-0.5	4.6	V		
V_I	Input voltage range ⁽²⁾	I/O ports (A-Port)	-0.5	4.6	V	
		I/O ports (B-Port)	-0.5	4.6		
		Control inputs	-0.5	4.6		
V_O	Voltage range applied to any output in the high-impedance or power-off state ⁽²⁾	A-Port	-0.5	4.6	V	
		B-Port	-0.5	4.6		
V_O	Voltage range applied to any output in the high or low state ⁽²⁾	A-Port	-0.5	$V_{CCA} + 0.5$	V	
		B-Port	-0.5	$V_{CCB} + 0.5$		
I_{IK}	Input clamp current	$V_I < 0$		-50	mA	
I_{OK}	Output clamp current	$V_O < 0$		-50	mA	
I_O	Continuous output current			±50	mA	
	Continuous current through V_{CCA} , V_{CCB} , or GND			±100	mA	
θ_{JA}	Package thermal impedance ⁽³⁾	YFP package		137.5	°C/W	
T_{stg}	Storage temperature range			-65	150	°C

- (1) Stresses beyond those listed under "absolute maximum ratings" may cause permanent damage to the device. These are stress ratings only, and functional operation of the device at these or any other conditions beyond those indicated under "recommended operating conditions" is not implied. Exposure to absolute-maximum-rated conditions for extended periods may affect device reliability.
- (2) The input voltage and output negative-voltage ratings may be exceeded if the input and output current ratings are observed.
- (3) The package thermal impedance is calculated in accordance with JESD 51-7.

RECOMMENDED OPERATING CONDITIONS⁽¹⁾⁽²⁾⁽³⁾

		V_{CCI}	V_{CCO}	MIN	MAX	UNIT
V_{CCA}	Supply voltage			1.1	3.6	V
V_{CCB}	Supply voltage			1.1	3.6	V
V_{IH}	High-level input voltage	Data inputs ⁽⁴⁾	1.1 V to 1.95 V	$V_{CCI} \times 0.65$		V
			1.95 V to 2.7 V	1.65		
			2.7 V to 3.6 V	2		
V_{IL}	Low-level input voltage	Data inputs ⁽⁴⁾	1.1 V to 1.95 V	$V_{CCI} \times 0.35$		V
			1.95 V to 2.7 V	0.7		
			2.7 V to 3.6 V	0.8		
V_{IH}	High-level input voltage	DIR, DIR_POL, PD_EN (referenced to V_{CCA}) ⁽⁵⁾	1.1 V to 1.95 V	$V_{CCA} \times 0.65$		V
			1.95 V to 2.7 V	$V_{CCA} \times 0.65$		
			2.7 V to 3.6 V	$V_{CCA} \times 0.65$		
V_{IL}	Low-level input voltage	DIR, DIR_POL, PD_EN (referenced to V_{CCA}) ⁽⁵⁾	1.1 V to 1.95 V	$V_{CCA} \times 0.35$		V
			1.95 V to 2.7 V	$V_{CCA} \times 0.35$		
			2.7 V to 3.6 V	$V_{CCA} \times 0.35$		
V_I	Input voltage			0	3.6	V
V_O	Output voltage	Active state		0	V_{CCO}	V
		3-state		0	3.6	
I_{OH}	High-level output current		1.1 to 1.3 V	–2		mA
			1.4 V to 1.6 V	–6		
			1.65 V to 1.95 V	–8		
			2.3 V to 2.7 V	–9		
			3 V to 3.6 V	–12		
I_{OL}	Low-level output current		1.1 V to 1.3 V	2		mA
			1.4 V to 1.6 V	6		
			1.65 V to 1.95 V	8		
			2.3 V to 2.7 V	9		
			3 V to 3.6 V	12		
$\Delta t/\Delta v$	Input transition rise or fall rate				5	ns/V
T_A	Operating free-air temperature			–40	85	°C

(1) V_{CCI} is the V_{CC} associated with the input port.

(2) V_{CCO} is the V_{CC} associated with the output port.

(3) All unused data inputs of the device must be held at V_{CCI} or GND to ensure proper device operation. All unused control inputs of the device must be held at V_{CCA} or GND to ensure proper device operation. See the TI application report, *Implications of Slow or Floating CMOS Inputs*, literature number [SCBA004](#).

(4) For data input values not specified in the data sheet, $V_{IH} \text{ min} = V_{CCI} \times 0.7 \text{ V}$, $V_{IL} \text{ max} = V_{CCI} \times 0.3 \text{ V}$.

(5) For control input values not specified in the data sheet, $V_{IH} \text{ min} = V_{CCA} \times 0.7 \text{ V}$, $V_{IL} \text{ max} = V_{CCA} \times 0.3 \text{ V}$.

ELECTRICAL CHARACTERISTICS⁽¹⁾⁽²⁾

over recommended operating free-air temperature range (unless otherwise noted)

PARAMETER	TEST CONDITIONS		V _{CCA}	V _{CCB}	T _A = 25°C			–40°C to 85°C		UNIT
					MIN	TYP	MAX	MIN	MAX	
V _{OH}	I _{OH} = –100 μA		1.1 V to 3.6 V	1.1 V to 3.6 V				V _{CCO} – 0.2		V
	I _{OH} = –2 mA		1.1 V	1.1 V				0.9		
	I _{OH} = –6 mA		1.4 V	1.4 V				1		
	I _{OH} = –8 mA		1.65 V	1.65 V				1.2		
	I _{OH} = –9 mA		2.3 V	2.3 V				1.75		
	I _{OH} = –12 mA		3 V	3 V				2.3		
V _{OL}	I _{OL} = 100 μA		1.1 V to 3.6 V	1.1 V to 3.6 V				0.2		V
	I _{OL} = 3 mA		1.1 V	1.1 V				0.3		
	I _{OL} = 6 mA		1.4 V	1.4 V				0.35		
	I _{OL} = 8 mA		1.65 V	1.65 V				0.45		
	I _{OL} = 9 mA		2.3 V	2.3 V				0.55		
	I _{OL} = 12 mA		3 V	3 V				0.7		
I _i	Control inputs	V _I = V _{CCA} or GND	1.1 V to 3.6 V	1.1 V to 3.6 V	±0.025	±0.25		±1	μA	
I _{off}	A port	V _I or V _O = 0 to 3.6 V	0 V	0 V to 3.6 V	±0.02	±2.5		±5	μA	
I _{OZ}	A port	DIR_POL = Low, PD_EN = Low, V _I = V _{CCI} to GND,	DIR = Low	3.6 V	3.6 V	±0.01	±2.5		±5	μA
	B port		DIR = High	3.6 V	3.6 V	±0.14	±5		±15	
I _{CCA}	V _I = V _{CCI} or GND, I _O = 0		1.1 V to 3.6 V	1.1 V to 3.6 V	0.02			10	μA	
			0 V	0 V to 3.6 V				–2		
			0 V to 3.6 V	0 V	0.01			10		
I _{CCB}	V _I = V _{CCI} or GND, I _O = 0		1.1 V to 3.6 V	1.1 V to 3.6 V	0.13			30	μA	
			0 V	0 V to 3.6 V	0.07			15		
			0 V to 3.6 V	0 V				–2		
I _{CCA} + I _{CCB}	V _I = V _{CCI} or GND, I _O = 0		1.1 V to 3.6 V	1.1 V to 3.6 V	0.15			40	μA	
C _i	Control inputs	V _I = 3.3 V or GND	3.6 V	3.6 V	1.5			2	pF	
C _{io}	A port	V _O = 3.3 V or GND	3.6 V	3.6 V	5.5			7	pF	
	B port				27			32.5		
R _{pd(+)} , R _{pd(-)}	DIR_POL = Low, DIR = High, PD_EN = High		3.6 V	3.6 V	118		80	150	kΩ	

(1) V_{CCO} is the V_{CC} associated with the output port.(2) V_{CCI} is the V_{CC} associated with the input port.

SWITCHING CHARACTERISTICS

over recommended operating free-air temperature range, $V_{CCA} = 1.2 \text{ V} \pm 0.1 \text{ V}$, $PD_EN = 0 \text{ V}$ (unless otherwise noted)

PARAMETER		FROM (INPUT)	TO (OUTPUT)	$V_{CCB} = 1.2 \text{ V} \pm 0.1 \text{ V}$		$V_{CCB} = 1.5 \text{ V} \pm 0.1 \text{ V}$		$V_{CCB} = 1.8 \text{ V} \pm 0.15 \text{ V}$		$V_{CCB} = 2.5 \text{ V} \pm 0.2 \text{ V}$		$V_{CCB} = 3.3 \text{ V} \pm 0.3 \text{ V}$		UNIT
				MIN	MAX	MIN	MAX	MIN	MAX	MIN	MAX	MIN	MAX	
t_{PLH}	Propagation delay	D+(A) to D+(B) or D-(A) to D-(B)		22		16		14		12		11		ns
t_{PHL}				22		16		14		12		11		
t_{PLH}		D+(B) to D+(A) or D-(B) to D-(A)		19		17		17		16		15		ns
t_{PHL}				19		17		17		16		15		
t_r	Output rise time			14		14		14		14		14		ns
t_f	Output fall time			14		14		14		14		14		ns
t_{PHZ}	Disable time	DIR or DIR_POL	D+(A) or D-(A)	24		24		24		24		24		ns
t_{PLZ}				24		24		24		24		24		
t_{PHZ}		DIR or DIR_POL	D+(B) or D-(B)	28		22		19		15		14		ns
t_{PLZ}				28		22		19		15		14		
t_{PZH}	Enable time ⁽¹⁾	DIR or DIR_POL	D+(A) or D-(A)	47		39		36		31		29		ns
t_{PZL}				47		39		36		31		29		
t_{PZH}		DIR or DIR_POL	D+(B) or D-(B)	46		40		38		36		35		ns
t_{PZL}				46		40		38		36		35		
F_{max}	Max data rate			12		12		12		12		12		Mbps

(1) The enable time is a calculated value derived using the formula shown in the enable times section.

SWITCHING CHARACTERISTICS

over recommended operating free-air temperature range, $V_{CCA} = 1.5 \text{ V} \pm 0.1 \text{ V}$, $PD_EN = 0 \text{ V}$ (unless otherwise noted)

PARAMETER		FROM (INPUT)	TO (OUTPUT)	$V_{CCB} = 1.2 \text{ V} \pm 0.1 \text{ V}$		$V_{CCB} = 1.5 \text{ V} \pm 0.1 \text{ V}$		$V_{CCB} = 1.8 \text{ V} \pm 0.15 \text{ V}$		$V_{CCB} = 2.5 \text{ V} \pm 0.2 \text{ V}$		$V_{CCB} = 3.3 \text{ V} \pm 0.3 \text{ V}$		UNIT
				MIN	MAX	MIN	MAX	MIN	MAX	MIN	MAX	MIN	MAX	
t_{PLH}	Propagation delay	D+(A) to D+(B) or D-(A) to D-(B)		18		0.7	13.3	0.5	11.3	0.4	8.9	0.3	7.7	ns
t_{PH}				18		0.7	11.8	0.5	10.2	0.4	8.2	0.3	7.5	
t_{PLH}		D+(B) to D+(A) or D-(B) to D-(A)		13		0.8	11.2	0.7	10.5	0.6	9.7	0.5	9.3	ns
t_{PHL}				13		0.8	10.9	0.7	10.2	0.6	9.4	0.5	9.1	
t_r	Output rise time			14		10		10		10		10		ns
t_f	Output fall time			14		10		10		10		10		ns
t_{PHZ}	Disable time	DIR or DIR_POL	D+(A) or D-(A)	17		1.3	14.2	1.3	13.4	1	11.8	1	11.1	ns
t_{PLZ}				17		1.3	14.2	1.3	14.3	1	14.4	1	14.4	
t_{PHZ}		DIR or DIR_POL	D+(B) or D-(B)	22		1.1	14.5	1.4	13.3	1.2	10.6	1.7	10.1	ns
t_{PLZ}				22		1.1	16.8	1.4	13.5	1.2	9.8	1.7	9.3	
t_{PZH}	Enable time ⁽¹⁾	DIR or DIR_POL	D+(A) or D-(A)	35		28		24		19.5		18.5		ns
t_{PZL}				35		25.3		23.5		20		19.2		
t_{PZH}		DIR or DIR_POL	D+(B) or D-(B)	35		27.5		25.5		23.2		22.1		ns
t_{PZL}				35		26.1		23.6		20		18.6		
F_{max}	Max data rate			12		12		12		12		12		Mbps

(1) The enable time is a calculated value derived using the formula shown in the enable times section.

SWITCHING CHARACTERISTICS

over recommended operating free-air temperature range, $V_{CCA} = 1.8\text{ V} \pm 0.15\text{ V}$, $PD_EN = 0\text{ V}$ (unless otherwise noted)

PARAMETER		FROM (INPUT)	TO (OUTPUT)	$V_{CCB} = 1.2\text{ V} \pm 0.1\text{ V}$		$V_{CCB} = 1.5\text{ V} \pm 0.1\text{ V}$		$V_{CCB} = 1.8\text{ V} \pm 0.15\text{ V}$		$V_{CCB} = 2.5\text{ V} \pm 0.2\text{ V}$		$V_{CCB} = 3.3\text{ V} \pm 0.3\text{ V}$		UNIT
				MIN	MAX	MIN	MAX	MIN	MAX	MIN	MAX	MIN	MAX	
t_{PLH}	Propagation delay	D+(A) to D+(B) or D-(A) to D-(B)		17		0.7	12.6	0.4	10.5	0.2	8.1	0.2	6.9	ns
t_{PHL}				17		0.7	11.2	0.4	9.5	0.2	7.4	0.2	6.7	
t_{PLH}		D+(B) to D+(A) or D-(B) to D-(A)		11		0.5	9.5	0.4	8.8	0.5	7.9	0.4	7.5	ns
t_{PHL}				11		0.5	9.3	0.4	8.7	0.5	7.9	0.4	7.6	
t_r	Output rise time			14		10		10		10		10		ns
t_f	Output fall time			14		10		10		10		10		ns
t_{PHZ}	Disable time	DIR or DIR_POL	D+(A) or D-(A)	13		1.1	11.4	1	10.8	0.5	9.8	0.5	9	ns
t_{PLZ}				13		1.1	10.7	1	10.8	0.5	10.8	0.5	10.9	
t_{PHZ}		DIR or DIR_POL	D+(B) or D-(B)	21		1.1	10.7	1.3	10.6	0.8	9	0.5	9	ns
t_{PLZ}				21		1.1	15.7	1.3	12.5	0.8	8.8	0.5	8.3	
t_{PZH}	Enable Time ⁽¹⁾	DIR or DIR_POL	D+(A) or D-(A)	32		25.2		21.3		16.7		15.8		ns
t_{PZL}				32		20.1		19.2		16.9		16.6		
t_{PZH}		DIR or DIR_POL	D+(B) or D-(B)	30		23.3		21.3		18.9		17.7		ns
t_{PZL}				30		22.7		20.3		17.2		15.8		
F_{max}	Max data rate			12		12		12		12		12		Mbps

(1) The enable time is a calculated value derived using the formula shown in the enable times section.

SWITCHING CHARACTERISTICS

over recommended operating free-air temperature range, $V_{CCA} = 2.5 \text{ V} \pm 0.2 \text{ V}$, $PD_EN = 0 \text{ V}$ (unless otherwise noted)

PARAMETER		FROM (INPUT)	TO (OUTPUT)	$V_{CCB} = 1.2 \text{ V} \pm 0.1 \text{ V}$		$V_{CCB} = 1.5 \text{ V} \pm 0.1 \text{ V}$		$V_{CCB} = 1.8 \text{ V} \pm 0.15 \text{ V}$		$V_{CCB} = 2.5 \text{ V} \pm 0.2 \text{ V}$		$V_{CCB} = 3.3 \text{ V} \pm 0.3 \text{ V}$		UNIT
				MIN	MAX	MIN	MAX	MIN	MAX	MIN	MAX	MIN	MAX	
t_{PLH}	Propagation delay	D+(A) to D+(B) or D-(A) to D-(B)		16		0.5	11.7	0.2	9.7	0.2	7.2	0.2	6	ns
t_{PHL}				16		0.5	10.5	0.2	8.7	0.2	7.2	0.2	5.8	
t_{PLH}		D+(B) to D+(A) or D-(B) to D-(A)		9		0.4	7.5	0.5	6.8	0.4	5.9	0.3	5.6	ns
t_{PHL}				9		0.4	7.5	0.5	6.8	0.4	6	0.3	5.6	
t_r	Output rise time			14		10		10		10		10		ns
t_f	Output fall time			14		10		10		10		10		ns
t_{PHZ}	Disable time	DIR or DIR_POL	D+(A) or D-(A)	11		0.7	7.8	0.7	7.5	0.7	6.9	0.5	6.4	ns
t_{PLZ}				11		0.7	6.8	0.7	6.8	0.7	6.8	0.5	6.8	
t_{PHZ}		DIR or DIR_POL	D+(B) or D-(B)	19		0.6	8.4	0.5	7.4	0.5	6.3	1	7.2	ns
t_{PLZ}				19		0.6	14.4	0.5	11	0.5	7.4	1	6.9	
t_{PZH}	Enable time ⁽¹⁾	DIR or DIR_POL	D+(A) or D-(A)	29		21.9		17.8		13.3		12.5		ns
t_{PZL}				29		15.9		14.2		12.2		12.8		
t_{PZH}		DIR or DIR_POL	D+(B) or D-(B)	27		18.5		16.4		14		12.8		ns
t_{PZL}				27		18.2		16.2		14.1		12.2		
F_{max}	Max data rate			12		12		12		12		12		Mbps

(1) The enable time is a calculated value derived using the formula shown in the enable times section.

SWITCHING CHARACTERISTICS

over recommended operating free-air temperature range, $V_{CCA} = 3.3\text{ V} \pm 0.3\text{ V}$, $PD_EN = 0\text{ V}$ (unless otherwise noted)

PARAMETER		FROM (INPUT)	TO (OUTPUT)	$V_{CCB} = 1.2\text{ V} \pm 0.1\text{ V}$		$V_{CCB} = 1.5\text{ V} \pm 0.1\text{ V}$		$V_{CCB} = 1.8\text{ V} \pm 0.15\text{ V}$		$V_{CCB} = 2.5\text{ V} \pm 0.2\text{ V}$		$V_{CCB} = 3.3\text{ V} \pm 0.3\text{ V}$		UNIT
				MIN	MAX	MIN	MAX	MIN	MAX	MIN	MAX	MIN	MAX	
t_{PLH}	Propagation delay	D+(A) to D+(B) or D-(A) to D-(B)		15		0.6	11.3	0.4	9.2	0.3	6.8	0.3	5.6	ns
t_{PHL}				15		0.6	10.2	0.4	8.4	0.3	6.2	0.3	5.5	
t_{PLH}		D+(B) to D+(A) or D-(B) to D-(A)		9		0.3	6.6	0.2	5.8	0.2	4.9	0.2	4.5	ns
t_{PHL}				9		0.3	7	0.2	6.2	0.2	5.3	0.2	4.9	
t_r	Output rise time			14		10		10		10		10		ns
t_f	Output fall time			14		10		10		10		10		ns
t_{PHZ}	Disable time	DIR or DIR_POL	D+(A) or D-(A)	9		1	6.6	1	6.5	1	6.1	1	5.8	ns
t_{PLZ}				9		1	5.7	1	5.7	1	5.7	1	5.7	
t_{PHZ}		DIR or DIR_POL	D+(B) or D-(B)	19		0.5	7.4	0.3	6.5	0.3	5.2	0.3	5.3	ns
t_{PLZ}				19		0.5	13.8	0.3	10.6	0.3	7	0.3	6.4	
t_{PZH}	Enable time ⁽¹⁾	DIR or DIR_POL	D+(A) or D-(A)	28		20.4		16.4		11.9		10.9		ns
t_{PZL}				28		14.4		12.7		10.4		10.2		
t_{PZH}		DIR or DIR_POL	D+(B) or D-(B)	24		17		14.9		12.5		11.3		ns
t_{PZL}				24		16.7		14.9		12.3		11.3		
F_{max}	Max data rate			12		12		12		12		12		Mbps

(1) The enable time is a calculated value derived using the formula shown in the enable times section.

IC-USB INTERFACE CHARACTERISTICS

over recommended operating free-air temperature range, $V_{CCA} = 1.8 \text{ V} \pm 0.15 \text{ V}$, $PD_EN = 0 \text{ V}$ (unless otherwise noted)

PARAMETER		FROM (INPUT)	TO (OUTPUT)	$V_{CCB} = 1.8 \text{ V} \pm 0.15 \text{ V}$		$V_{CCB} = 3 \text{ V} \pm 0.3 \text{ V}$		UNIT
				MIN	MAX	MIN	MAX	
t_{sko}	Output crossover skew	D+(A) to D-(A)	Opposite Transitions		1		1	ns
		D+(B) to D-(B)		1		1		
t_{jitter_c}	Consecutive transitions jitter			2		2	ns	
t_{jitter_p}	Paired transitions jitter			1		1		
F_{max}	Max data rate			12		12	Mbps	

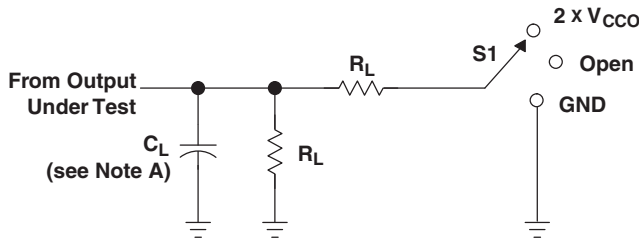
OPERATING CHARACTERISTICS

$T_A = 25^\circ\text{C}$

PARAMETER		TEST CONDITIONS	$V_{CCA} =$ $V_{CCB} = 1.2 \text{ V}$	$V_{CCA} =$ $V_{CCB} = 1.5 \text{ V}$	$V_{CCA} =$ $V_{CCB} = 1.8 \text{ V}$	$V_{CCA} =$ $V_{CCB} = 2.5 \text{ V}$	$V_{CCA} =$ $V_{CCB} = 3.3 \text{ V}$	UNIT
			TYP	TYP	TYP	TYP	TYP	
$C_{pdA}^{(1)}$	A-port input, B-port output	$C_L = 0,$ $f = 10 \text{ MHz},$ $t_r = t_f = 1 \text{ ns}$	1	1	1	1	2	pF
	B-port input, A-port output		14	14	14	16	20	
$C_{pdB}^{(1)}$	A-port input, B-port output	$C_L = 0,$ $f = 10 \text{ MHz},$ $t_r = t_f = 1 \text{ ns}$	28	27	27	27	27	pF
	B-port input, A-port output		1	1	1	1	2	

(1) Power dissipation capacitance per transceiver

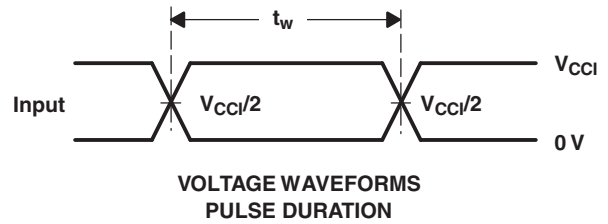
PARAMETER MEASUREMENT INFORMATION



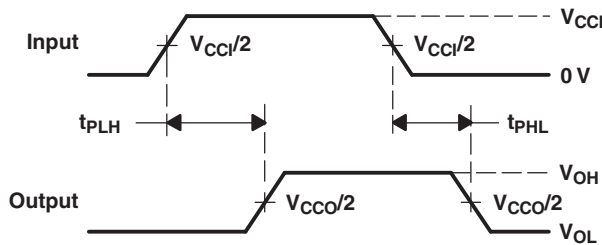
LOAD CIRCUIT

TEST	S1
t_{pd}	Open
t_{PLZ}/t_{PZL}	$2 \times V_{CCO}$
t_{PHZ}/t_{PZH}	GND

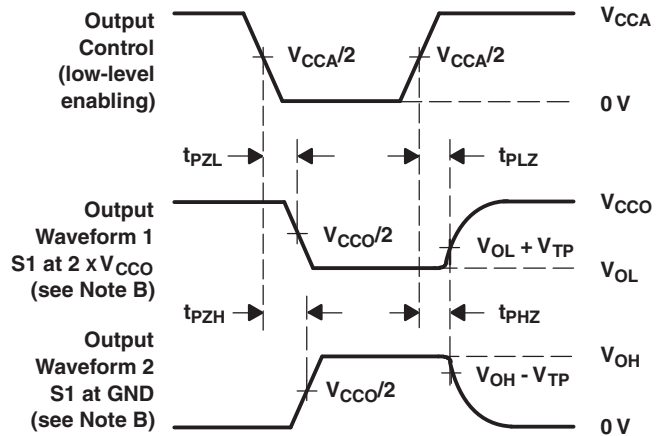
V_{CCO}	C_L	R_L	V_{TP}
1.2 V	18 pF	2 k Ω	0.1 V
1.5 V \pm 0.1 V	18 pF	2 k Ω	0.1 V
1.8 V \pm 0.15 V	18 pF	2 k Ω	0.15 V
2.5 V \pm 0.2 V	18 pF	2 k Ω	0.15 V
3.3 V \pm 0.3 V	18 pF	2 k Ω	0.3 V



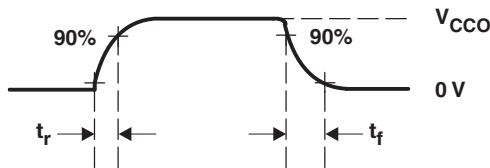
VOLTAGE WAVEFORMS PULSE DURATION



VOLTAGE WAVEFORMS PROPAGATION DELAY TIMES



VOLTAGE WAVEFORMS ENABLE AND DISABLE TIMES



OUTPUT RISE AND FALL TIMES

- A. C_L includes probe and jig capacitance.
- B. Waveform 1 is for an output with internal conditions such that the output is low, except when disabled by the output control. Waveform 2 is for an output with internal conditions such that the output is high, except when disabled by the output control.
- C. All input pulses are supplied by generators having the following characteristics: $PRR \leq 10$ MHz, $Z_O = 50$ Ω , $dv/dt \geq 1$ V/ns.
- D. The outputs are measured one at a time, with one transition per measurement.
- E. t_{PLZ} and t_{PHZ} are the same as t_{dis} .
- F. t_{PZL} and t_{PZH} are the same as t_{en} . For the SN74AVC2T872, these delays are calculated per the Enable Times formulas shown in Table 1.
- G. t_{PLH} and t_{PHL} are the same as t_{pd} .
- H. V_{CCI} is the V_{CC} associated with the input port.
- I. V_{CCO} is the V_{CC} associated with the output port.

Figure 1. Load Circuit and Voltage Waveforms

PARAMETER MEASUREMENT INFORMATION (continued)

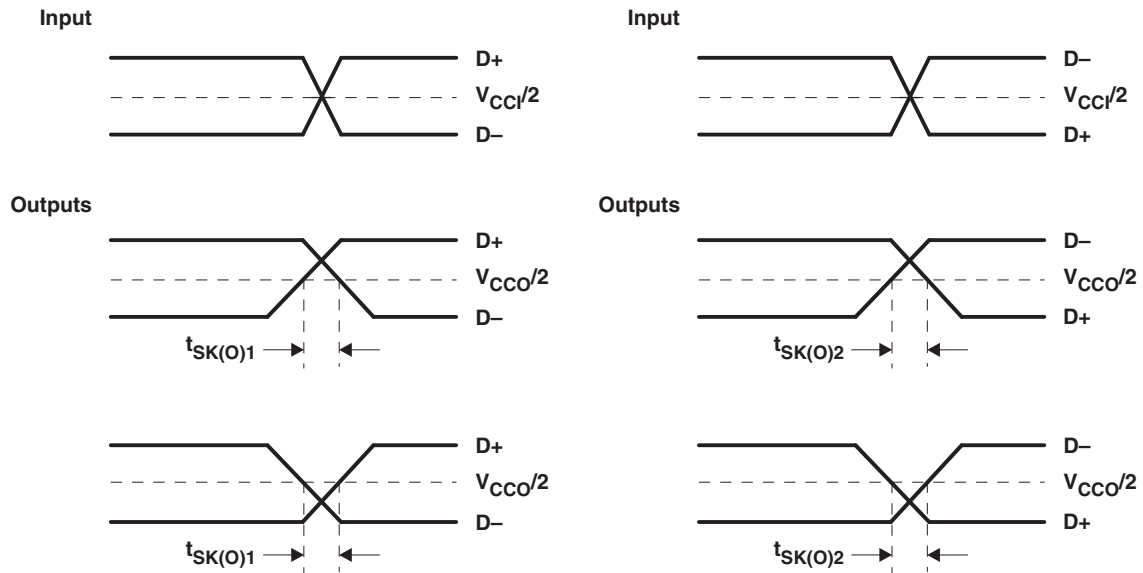


Figure 2. Output Crossover Skew

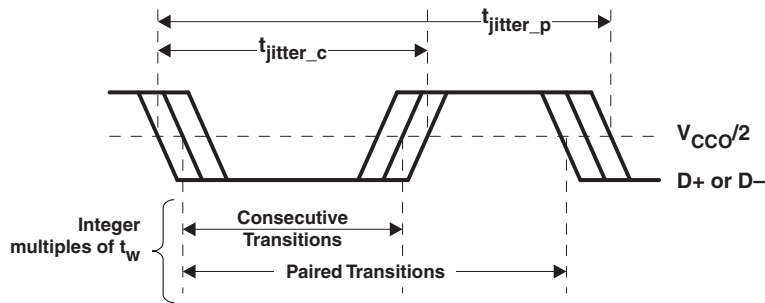


Figure 3. Output Jitter

APPLICATION INFORMATION

Enable Times

Calculate the enable times for the SN74AVC2T872 using the following formulas shown in [Table 1](#).

Table 1. Enable Times

$t_{PZH} \text{ (DIR to A)} = t_{PLZ} \text{ (DIR to B)} + t_{PLH} \text{ (B to A)}$
$t_{PZL} \text{ (DIR to A)} = t_{PHZ} \text{ (DIR to B)} + t_{PHL} \text{ (B to A)}$
$t_{PZH} \text{ (DIR to B)} = t_{PLZ} \text{ (DIR to A)} + t_{PLH} \text{ (A to B)}$
$t_{PZL} \text{ (DIR to B)} = t_{PHZ} \text{ (DIR to A)} + t_{PHL} \text{ (A to B)}$

In a bidirectional application, these enable times provide the maximum delay from the time the DIR bit is switched until an output is expected. For example, if the SN74AVC2T872 initially is transmitting from A to B, then the DIR bit is switched; the B port of the device must be disabled before presenting it with an input. After the B port has been disabled, an input signal applied to it appears on the corresponding A port after the specified propagation delay.

PACKAGING INFORMATION

Orderable Device	Status ⁽¹⁾	Package Type	Package Drawing	Pins	Package Qty	Eco Plan ⁽²⁾	Lead/Ball Finish	MSL Peak Temp ⁽³⁾
SN74AVC2T872YFPR	ACTIVE	DSBGA	YFP	12	3000	Green (RoHS & no Sb/Br)	SNAGCU	Level-1-260C-UNLIM

⁽¹⁾ The marketing status values are defined as follows:

ACTIVE: Product device recommended for new designs.

LIFEBUY: TI has announced that the device will be discontinued, and a lifetime-buy period is in effect.

NRND: Not recommended for new designs. Device is in production to support existing customers, but TI does not recommend using this part in a new design.

PREVIEW: Device has been announced but is not in production. Samples may or may not be available.

OBSOLETE: TI has discontinued the production of the device.

⁽²⁾ Eco Plan - The planned eco-friendly classification: Pb-Free (RoHS), Pb-Free (RoHS Exempt), or Green (RoHS & no Sb/Br) - please check <http://www.ti.com/productcontent> for the latest availability information and additional product content details.

TBD: The Pb-Free/Green conversion plan has not been defined.

Pb-Free (RoHS): TI's terms "Lead-Free" or "Pb-Free" mean semiconductor products that are compatible with the current RoHS requirements for all 6 substances, including the requirement that lead not exceed 0.1% by weight in homogeneous materials. Where designed to be soldered at high temperatures, TI Pb-Free products are suitable for use in specified lead-free processes.

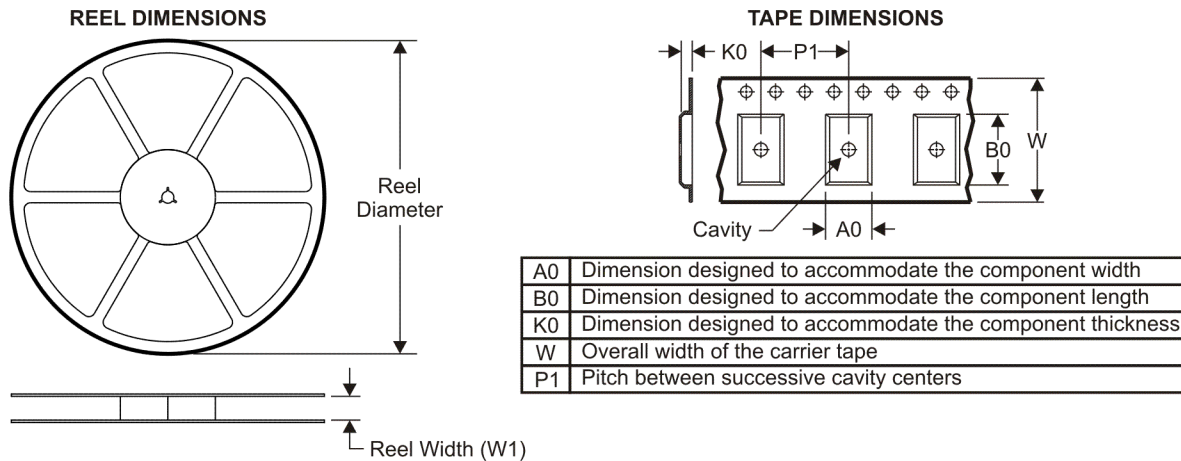
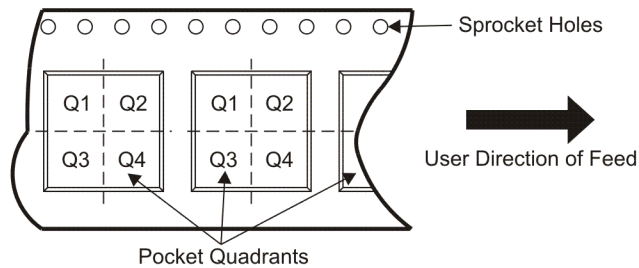
Pb-Free (RoHS Exempt): This component has a RoHS exemption for either 1) lead-based flip-chip solder bumps used between the die and package, or 2) lead-based die adhesive used between the die and leadframe. The component is otherwise considered Pb-Free (RoHS compatible) as defined above.

Green (RoHS & no Sb/Br): TI defines "Green" to mean Pb-Free (RoHS compatible), and free of Bromine (Br) and Antimony (Sb) based flame retardants (Br or Sb do not exceed 0.1% by weight in homogeneous material)

⁽³⁾ MSL, Peak Temp. -- The Moisture Sensitivity Level rating according to the JEDEC industry standard classifications, and peak solder temperature.

Important Information and Disclaimer:The information provided on this page represents TI's knowledge and belief as of the date that it is provided. TI bases its knowledge and belief on information provided by third parties, and makes no representation or warranty as to the accuracy of such information. Efforts are underway to better integrate information from third parties. TI has taken and continues to take reasonable steps to provide representative and accurate information but may not have conducted destructive testing or chemical analysis on incoming materials and chemicals. TI and TI suppliers consider certain information to be proprietary, and thus CAS numbers and other limited information may not be available for release.

In no event shall TI's liability arising out of such information exceed the total purchase price of the TI part(s) at issue in this document sold by TI to Customer on an annual basis.

TAPE AND REEL INFORMATION

QUADRANT ASSIGNMENTS FOR PIN 1 ORIENTATION IN TAPE


*All dimensions are nominal

Device	Package Type	Package Drawing	Pins	SPQ	Reel Diameter (mm)	Reel Width W1 (mm)	A0 (mm)	B0 (mm)	K0 (mm)	P1 (mm)	W (mm)	Pin1 Quadrant
SN74AVC2T872YFPR	DSBGA	YFP	12	3000	180.0	8.4	1.28	1.68	0.62	4.0	8.0	Q1

TAPE AND REEL BOX DIMENSIONS



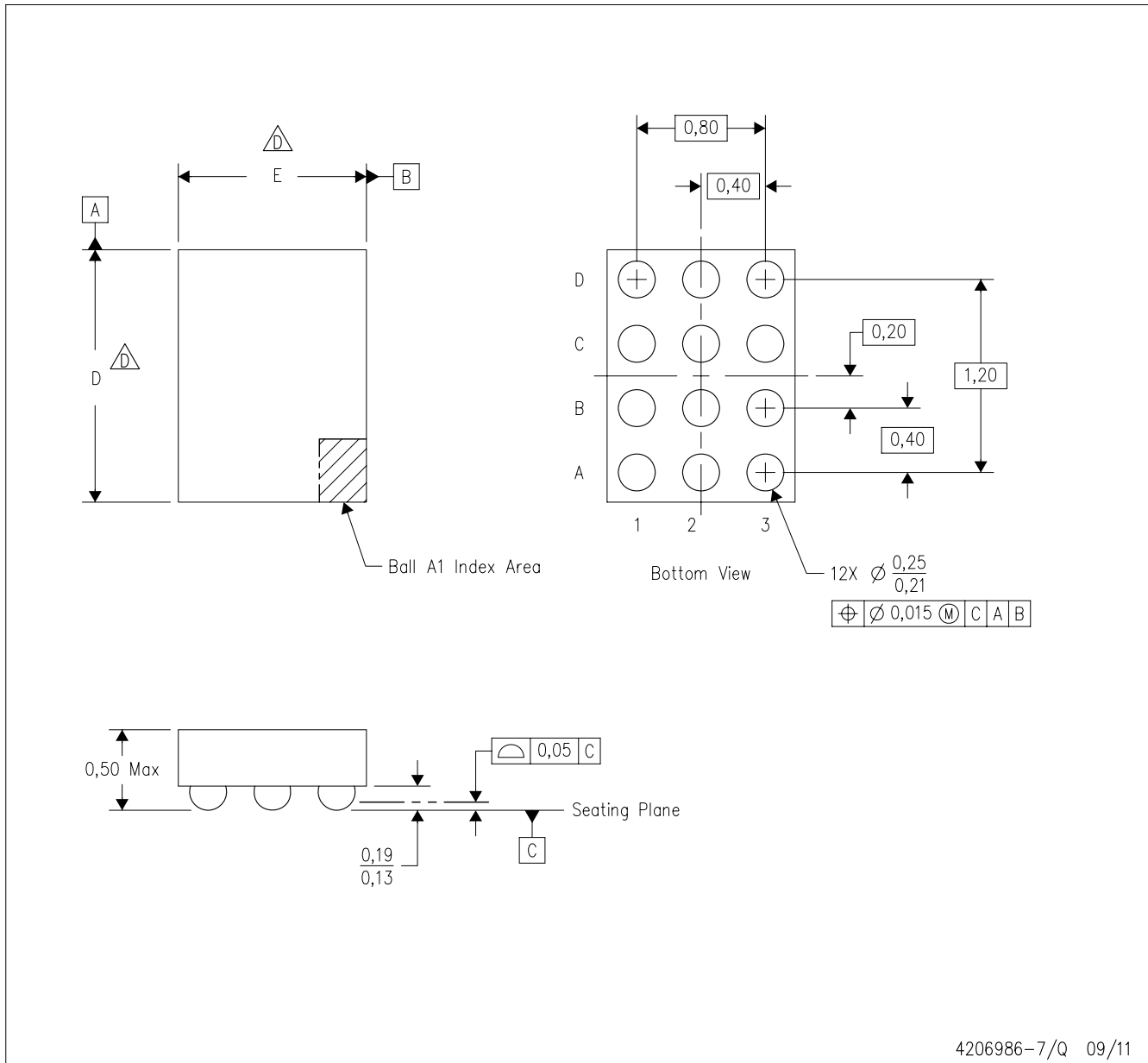
*All dimensions are nominal

Device	Package Type	Package Drawing	Pins	SPQ	Length (mm)	Width (mm)	Height (mm)
SN74AVC2T872YFPR	DSBGA	YFP	12	3000	220.0	220.0	34.0

MECHANICAL DATA

YFP (R-XBGA-N12)

DIE-SIZE BALL GRID ARRAY



- NOTES:
- A. All linear dimensions are in millimeters. Dimensioning and tolerancing per ASME Y14.5M-1994.
 - B. This drawing is subject to change without notice.
 - C. NanoFree™ package configuration.
 - $\triangle D$ The package size (Dimension D and E) of a particular device is specified in the device Product Data Sheet version of this drawing, in case it cannot be found in the product data sheet please contact a local TI representative.
 - E. Reference Product Data Sheet for array population.
3 x 4 matrix pattern is shown for illustration only.
 - F. This package contains Pb-free balls.

NanoFree is a trademark of Texas Instruments

IMPORTANT NOTICE

Texas Instruments Incorporated and its subsidiaries (TI) reserve the right to make corrections, modifications, enhancements, improvements, and other changes to its products and services at any time and to discontinue any product or service without notice. Customers should obtain the latest relevant information before placing orders and should verify that such information is current and complete. All products are sold subject to TI's terms and conditions of sale supplied at the time of order acknowledgment.

TI warrants performance of its hardware products to the specifications applicable at the time of sale in accordance with TI's standard warranty. Testing and other quality control techniques are used to the extent TI deems necessary to support this warranty. Except where mandated by government requirements, testing of all parameters of each product is not necessarily performed.

TI assumes no liability for applications assistance or customer product design. Customers are responsible for their products and applications using TI components. To minimize the risks associated with customer products and applications, customers should provide adequate design and operating safeguards.

TI does not warrant or represent that any license, either express or implied, is granted under any TI patent right, copyright, mask work right, or other TI intellectual property right relating to any combination, machine, or process in which TI products or services are used. Information published by TI regarding third-party products or services does not constitute a license from TI to use such products or services or a warranty or endorsement thereof. Use of such information may require a license from a third party under the patents or other intellectual property of the third party, or a license from TI under the patents or other intellectual property of TI.

Reproduction of TI information in TI data books or data sheets is permissible only if reproduction is without alteration and is accompanied by all associated warranties, conditions, limitations, and notices. Reproduction of this information with alteration is an unfair and deceptive business practice. TI is not responsible or liable for such altered documentation. Information of third parties may be subject to additional restrictions.

Resale of TI products or services with statements different from or beyond the parameters stated by TI for that product or service voids all express and any implied warranties for the associated TI product or service and is an unfair and deceptive business practice. TI is not responsible or liable for any such statements.

TI products are not authorized for use in safety-critical applications (such as life support) where a failure of the TI product would reasonably be expected to cause severe personal injury or death, unless officers of the parties have executed an agreement specifically governing such use. Buyers represent that they have all necessary expertise in the safety and regulatory ramifications of their applications, and acknowledge and agree that they are solely responsible for all legal, regulatory and safety-related requirements concerning their products and any use of TI products in such safety-critical applications, notwithstanding any applications-related information or support that may be provided by TI. Further, Buyers must fully indemnify TI and its representatives against any damages arising out of the use of TI products in such safety-critical applications.

TI products are neither designed nor intended for use in military/aerospace applications or environments unless the TI products are specifically designated by TI as military-grade or "enhanced plastic." Only products designated by TI as military-grade meet military specifications. Buyers acknowledge and agree that any such use of TI products which TI has not designated as military-grade is solely at the Buyer's risk, and that they are solely responsible for compliance with all legal and regulatory requirements in connection with such use.

TI products are neither designed nor intended for use in automotive applications or environments unless the specific TI products are designated by TI as compliant with ISO/TS 16949 requirements. Buyers acknowledge and agree that, if they use any non-designated products in automotive applications, TI will not be responsible for any failure to meet such requirements.

Following are URLs where you can obtain information on other Texas Instruments products and application solutions:

Products

Audio	www.ti.com/audio
Amplifiers	amplifier.ti.com
Data Converters	dataconverter.ti.com
DLP® Products	www.dlp.com
DSP	dsp.ti.com
Clocks and Timers	www.ti.com/clocks
Interface	interface.ti.com
Logic	logic.ti.com
Power Mgmt	power.ti.com
Microcontrollers	microcontroller.ti.com
RFID	www.ti-rfid.com
OMAP Mobile Processors	www.ti.com/omap
Wireless Connectivity	www.ti.com/wirelessconnectivity

Applications

Communications and Telecom	www.ti.com/communications
Computers and Peripherals	www.ti.com/computers
Consumer Electronics	www.ti.com/consumer-apps
Energy and Lighting	www.ti.com/energy
Industrial	www.ti.com/industrial
Medical	www.ti.com/medical
Security	www.ti.com/security
Space, Avionics and Defense	www.ti.com/space-avionics-defense
Transportation and Automotive	www.ti.com/automotive
Video and Imaging	www.ti.com/video

TI E2E Community Home Page

e2e.ti.com

Mailing Address: Texas Instruments, Post Office Box 655303, Dallas, Texas 75265
Copyright © 2011, Texas Instruments Incorporated