

SN54AS856, SN74AS856 8-BIT UNIVERSAL TRANSCEIVER PORT CONTROLLERS

SDAS032A – DECEMBER 1983 – REVISED MARCH 1985

- Package Options Include Plastic Small Outline Packages, Both Plastic and Ceramic Chip Carriers, and Standard Plastic and Ceramic 300-mil DIPs
- Buffered 3-State Outputs Drive Bus Lines Directly
- Cascadable to n-Bits
- Eight Selectable Transceiver/Port Functions:
 - B to A
 - Register to A and/or B
 - Off-Line Shifts (A and B Ports in High-Impedance State)
 - Shifted to A and/or B
- Particularly Suitable for Use in Diagnostics Analysis Circuitry
- Serial Register Provides:
 - Parallel Storage of Either A or B input Data
 - Serial Transmission of Data from Either A or B Port
 - Readback Mode B to A
- Dependable Texas Instruments Quality and Reliability

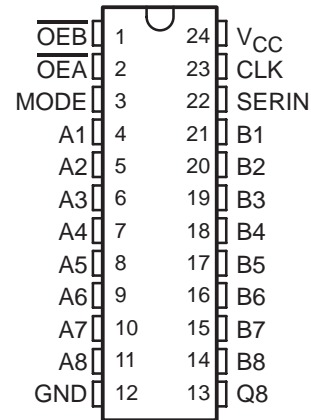
description

The 'AS856 features two 8-bit I/O ports (A1-A8 and B1-B8), an 8-bit parallel-load, serial-in, parallel-out shift register, and control logic. With these features, this device is capable of performing eight selectable transceiver or port functions, depending on the state of the three control lines \overline{OEA} , \overline{OEB} , and MODE. These functions include: transferring data from port A to port B or vice versa (i.e., the transceiver function), serial shifting data to either or both ports, and performing off-line shifts (with A and B ports active as transceivers in a high-impedance state). Synchronous parallel loading of the internal register can be accomplished from either port on the positive transition of the clock while serially shifting data in via the SERIN input. The 'AS856 is ideally suited for applications needing signature-analysis circuitry to enhance system verification and/or fault analysis. All serial data is shifted right. All outputs are buffer-type outputs designed specifically to drive bus lines directly and all are 3-state except for Q8, which is a totem-pole output.

The SN54AS856 is characterized for operation over the full military temperature range of -55°C to 125°C . The SN74AS856 is characterized for operation from 0°C to 70°C .

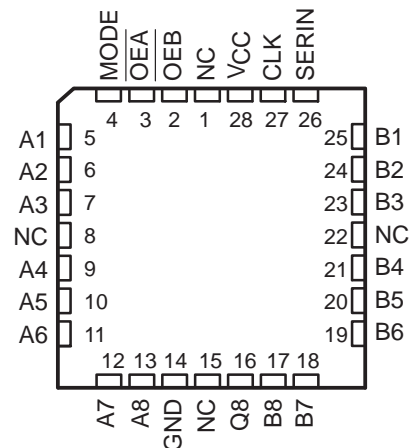
SN54AS856 . . . JT PACKAGE
SN74AS856 . . . DW OR NT PACKAGE

(TOP VIEW)



SN54AS856 . . . FK PACKAGE
SN74AS856 . . . FN PACKAGE

(TOP VIEW)



NC – No internal connection

SN54AS856, SN74AS856

8-BIT UNIVERSAL TRANCEIVER PORT CONTROLLERS

SDAS032A – DECEMBER 1983 – REVISED MARCH 1985

FUNCTION TABLE

MODE	MODE	CLOCK	SERIN	A1	Q1	B1	A2	Q2	B2	A3	Q3	B3	A4	Q4	B4	A5	Q5	B5	A6	Q6	B6	A7	Q7	B7	A8	Q8	B8	FUNCTION
L	L	H or L	X	Q1	Q1	H	Q2	Q2	Q2	Q3	Q3	Q3	Q4	Q4	Q4	Q5	Q5	Q5	Q6	Q6	Q6	Q7	Q7	Q7	Q8	Q8	Q8	Feedback
L	L	↑	X	Q1	Q1	H	Q2	Q2	Q2	Q3	Q3	Q3	Q4	Q4	Q4	Q5	Q5	Q5	Q6	Q6	Q6	Q7	Q7	Q7	Q8	Q8	Q8	
L	L	H or L	X	B1	Q1	H	B2	Q2	Z	B3	Q3	Z	B4	Q4	Z	B5	Q5	Z	B6	Q6	Z	B7	Q7	Z	B8	Q8	Z	B to A
L	L	↑	X	B1	B1	L	B2	B2	Z	B3	B3	Z	B4	B4	Z	B5	B5	Z	B6	B6	Z	B7	B7	Z	B8	B8	Z	A to Q
L	H	H or L	X	Z	Q1	L	Z	Q2	Q2	Z	Q3	Q3	Z	Q4	Q4	Z	Q5	Q5	Z	Q6	Q6	Z	Q7	Q7	Z	Q8	Q8	A to Q
L	H	↑	X	Z	A1	L	Z	A2	A2	Z	A3	A3	Z	A4	A4	Z	A5	A5	Z	A6	A6	Z	A7	A7	Z	A8	A8	Q to B
L	H	H or L	X	Z	Q1	L	Z	Q2	Z	Z	Q3	Z	Z	Q4	Z	Z	Q5	Z	Z	Q6	Z	Z	Q7	Z	Z	Q8	Z	A to Q
L	H	↑	X	Z	A1	L	Z	A2	Z	Z	A3	Z	Z	A4	Z	Z	A5	Z	Z	A6	Z	Z	A7	Z	Z	A8	Z	A to Q
H	L	H or L	X	Q _n	Q _n	L	Q2	Q _n	Q2	Q3	Q _n	Q3	Q4	Q _n	Q4	Q5	Q _n	Q5	Q6	Q _n	Q6	Q7	Q _n	Q7	Q8	Q _n	Q8	Shift
H	L	↑	H	H	L	L	Q1	Q1	Q1	Q2	Q2	Q2	Q3	Q3	Q3	Q4	Q4	Q4	Q5	Q5	Q5	Q6	Q6	Q6	Q7	Q7	Q7	To
H	L	↑	L	L	L	L	Q1	Q1	Q1	Q2	Q2	Q2	Q3	Q3	Q3	Q4	Q4	Q4	Q5	Q5	Q5	Q6	Q6	Q6	Q7	Q7	Q7	A and B
H	H	H or L	X	Q _n	Q _n	L	Q2	Q _n	Z	Q3	Q _n	Z	Q4	Q _n	Z	Q5	Q _n	Z	Q6	Q _n	Z	Q7	Q _n	Z	Q8	Q _n	Z	Shift
H	H	↑	H	H	L	L	Q1	Q1	Z	Q2	Q2	Z	Q3	Q3	Z	Q4	Q4	Z	Q5	Q5	Z	Q6	Q6	Z	Q7	Q7	To	
H	H	↑	L	L	L	L	Q1	Q1	Q1	Q2	Q2	Z	Q3	Q3	Z	Q4	Q4	Z	Q5	Q5	Z	Q6	Q6	Z	Q7	Q7	B	
H	H	H or L	X	Z	Q _n	L	Z	Q _n	Z	Z	Q _n	Z	Z	Q _n	Z	Z	Q _n	Z	Z	Q _n	Z	Z	Q _n	Z	Z	Q _n	Z	Shift
H	H	↑	H	H	L	L	Z	Q1	Z	Z	Q2	Z	Z	Q3	Z	Z	Q4	Z	Z	Q5	Z	Z	Q6	Z	Z	Q7	Z	To
H	H	↑	L	L	L	L	Z	Q1	Q1	Z	Q2	Z	Z	Q3	Z	Z	Q4	Z	Z	Q5	Z	Z	Q6	Z	Z	Q7	Z	B

n = level of Q_n (n = 1, 2, . . . 8) established on most recent ↑ transition of CLK. Q1 through Q8 are the shift register outputs; only Q8 is available externally. The double inversions that take place as the data travels from port are ignored in this table.

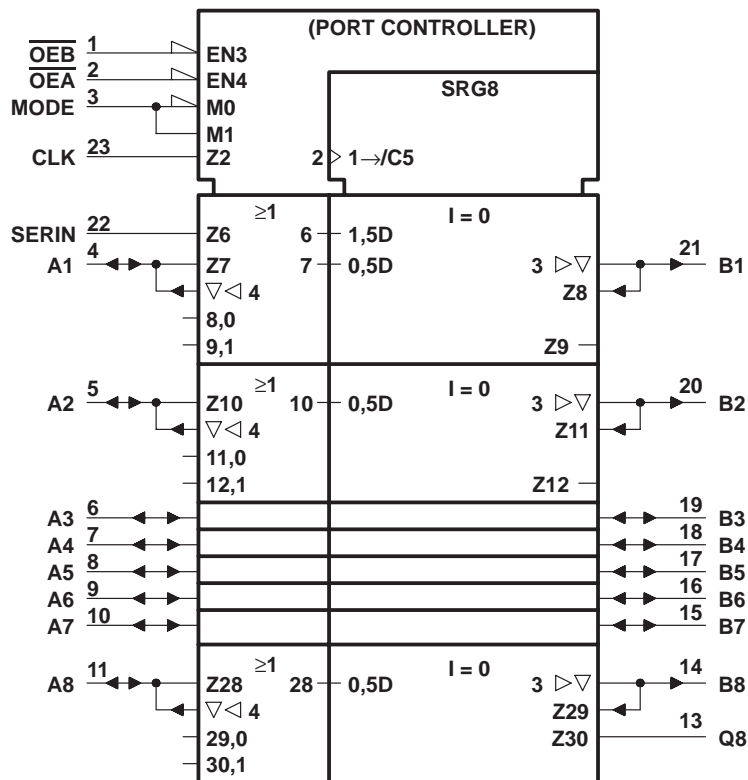


SN54AS856, SN74AS856

8-BIT UNIVERSAL TRANSCEIVER PORT CONTROLLERS

SDAS032A – DECEMBER 1983 – REVISED MARCH 1985

logic symbol†



Pin numbers shown are for DW, JT, and NT packages.

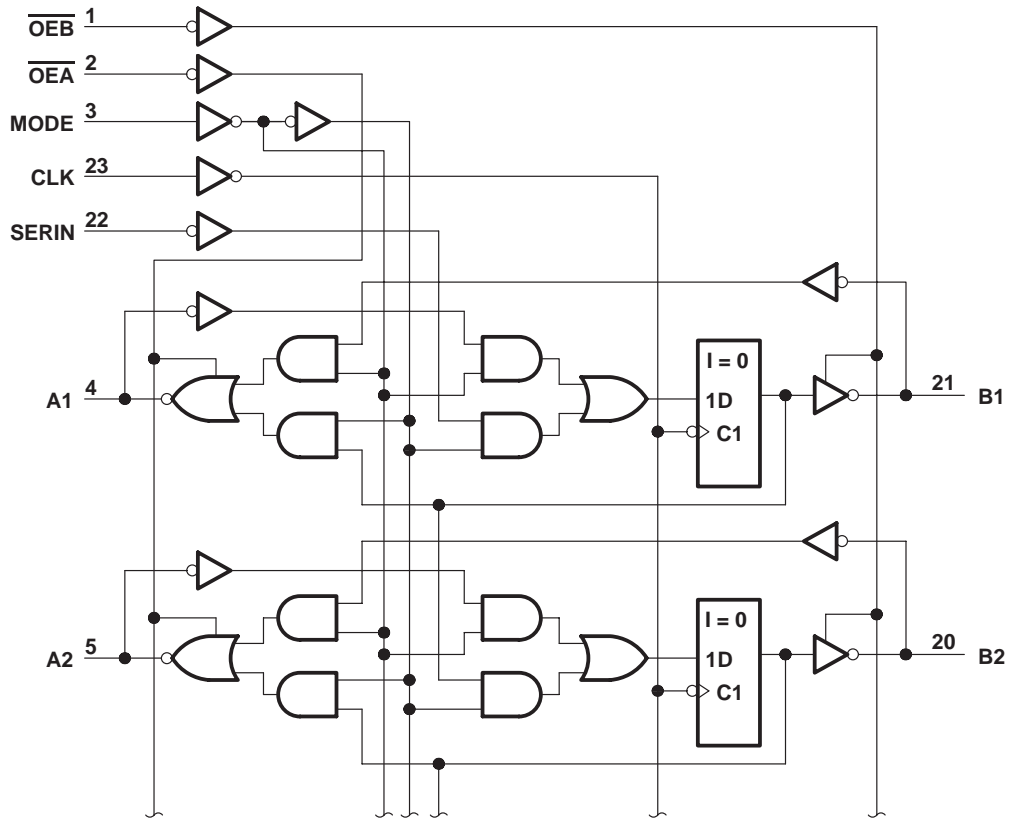
† This symbol is in accordance with ANSI/IEEE Std 91-1984 and IEC Publication 617-12.

SN54AS856, SN74AS856

8-BIT UNIVERSAL TRANSCEIVER PORT CONTROLLERS

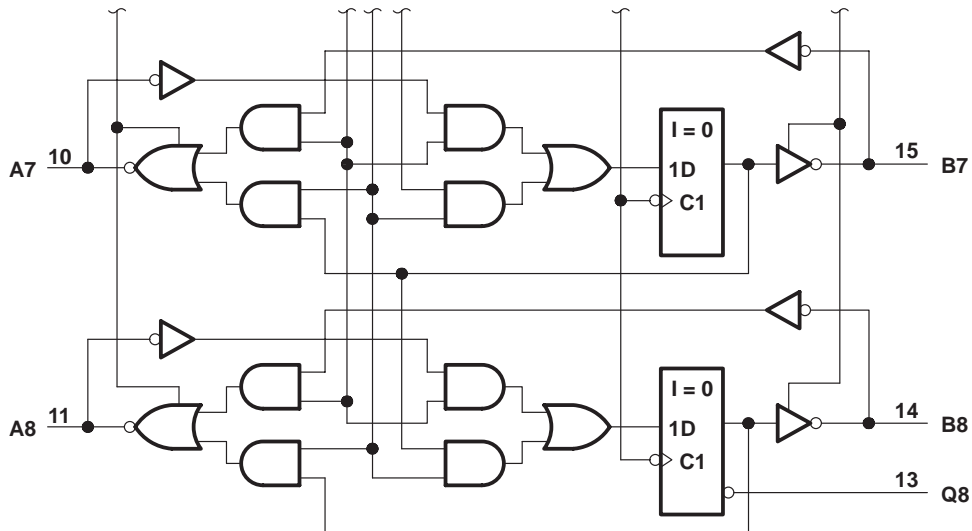
SDAS032A – DECEMBER 1983 – REVISED MARCH 1985

logic diagram (positive logic)



Four Identical Channels Not Shown
Inputs/Outputs Not Shown:

- | | |
|--------|---------|
| (6) A3 | (19) B3 |
| (7) A4 | (18) B4 |
| (8) A5 | (17) B5 |
| (9) A6 | (16) B6 |



Pin numbers shown are for DW, JT, and NT packages.

SN54AS856, SN74AS856

8-BIT UNIVERSAL TRANSCEIVER PORT CONTROLLERS

SDAS032A – DECEMBER 1983 – REVISED MARCH 1985

absolute maximum ratings over free-air temperature range

Supply voltage, V_{CC}	7 V
Input voltage: All inputs	7 V
I/O ports	5.5 V
Voltage applied to a disabled 3-state output	5.5 V
Operating free-air temperature range: SN54AS856	–55°C to 125°C
SN74AS856	0°C to 70°C
Storage temperature range	–65°C to 150°C

recommended operating conditions

		SN54AS856			SN74AS856			UNIT
		MIN	NOM	MAX	MIN	NOM	MAX	
V_{CC}	Supply voltage	4.5	5	5.5	4.5	5	5.5	V
V_{IH}	High-level input voltage	2			2			V
V_{IL}	Low-level input voltage			0.8			0.8	V
I_{OH}	High-level output current	A1-A8, B1-B8		–12	–15		mA	
		Q8		–2	–2			
I_{OL}	Low-level output current	A1-A8, B1-B8		32	48		mA	
		Q8		20	20			
f_{clock}	Clock frequency	0		45	0		50	MHz
t_w	Duration of clock pulse	11			10			ns
t_{su}	Setup time before CLK↑	A1-A8, B1-B8 SERIN		5.5	5.5		ns	
		OEB, OEA, MODE		5.5	5.5			
t_h	Hold-time, data after CLK↑	A1-A8, B1-B8 SERIN		0	0		ns	
		OEB, OEA, MODE		0	0			
T_A	Operating free-air temperature	–55		125	0		70	°C



SN54AS856, SN74AS856

8-BIT UNIVERSAL TRANSCEIVER PORT CONTROLLERS

SDAS032A – DECEMBER 1983 – REVISED MARCH 1985

electrical characteristics over recommended operating free-air temperature range (unless otherwise noted)

PARAMETER		TEST CONDITIONS		SN54AS856			SN74AS856			UNIT
				MIN	TYP†	MAX	MIN	TYP†	MAX	
V _{IK}		V _{CC} = 4.5 V,	I _I = -18 mA	-1.2			-1.2			V
V _{OH}	A1-A8	V _{CC} = 4.5 V,	I _{OH} = -12 mA	2	3.2				V	
	B1-B8	V _{CC} = 4.5 V,	I _{OH} = -15 mA				2	3.3		
	All outputs	V _{CC} = 4.5 V to 5.5 V,	I _{OH} = -2 mA	V _{CC} -2			V _{CC} -2			
V _{OL}	All outputs except Q8	V _{CC} = 4.5 V,	I _{OL} = 32 mA	0.25			0.5			V
		V _{CC} = 4.5 V,	I _{OL} = 48 mA				0.35			
	Q8	V _{CC} = 4.5 V,	I _{OL} = 20 mA				0.5			
I _I	OEB, OEA, MODE	V _{CC} = 5.5 V,	V _I = 7 V				0.2			mA
	CLK and SERIN						0.1			
	A1-A8, B1-B8			V _{CC} = 5.5 V,	V _I = 5.5 V				0.2	
I _{IH}	OEB, OEA, MODE	V _{CC} = 5.5 V,	V _I = 2.7 V				40			μA
	CLK and SERIN						20			
	A1-A8, B1-B8‡						70			
I _{IL}	OEB, OEA, MODE	V _{CC} = 5.5 V,	V _I = 0.4 V				-1			mA
	CLK and SERIN						-0.5			
	A1-A8, B1-B8‡						-0.5			
I _O §	Except Q8	V _{CC} = 5.5 V,	V _O = 2.25 V	-30			-112			mA
	Q8			-20			-112			
I _{CC}		V _{CC} = 5.5 V		118			200			mA

† All typical values are at V_{CC} = 5 V, T_A = 25°C.

‡ For I/O ports, the parameters I_I and I_{IL} include the output currents I_{OZH} and I_{OZL}, respectively.

§ The output conditions have been chosen to produce a current that closely approximates one half of the true short-circuit output current, I_{OS}.

SN54AS856, SN74AS856

8-BIT UNIVERSAL TRANSCEIVER PORT CONTROLLERS

SDAS032A – DECEMBER 1983 – REVISED MARCH 1985

switching characteristics (see Note 1)

PARAMETER	FROM (INPUT)	TO (OUTPUT)	$V_{CC} = 4.5\text{ V to }5.5\text{ V},$ $C_L = 50\text{ pF},$ $R_1 = 500\ \Omega,$ $R_2 = 500\ \Omega,$ $T_A = \text{MIN to MAX}$				UNIT
			SN54AS856		SN74AS856		
			MIN	MAX	MIN	MAX	
f_{max}			45		50		MHz
t_{PLH}	Any B port	Any A port	2	8	2	7	ns
t_{PHL}			2	10.5	2	9.5	
t_{PLH}	$\uparrow\text{MODE}$	Any A or B port	2	8.5	2	7.5	ns
t_{PHL}			5	20	5	19	
t_{PLH}	$\downarrow\text{MODE} \dagger$	Any A or B port	2	8.5	2	7.5	ns
t_{PHL}			2	9.5	2	8	
t_{PLH}	CLK	Any A or B port	3	12	3	9	ns
t_{PHL}			3	12	3	11	
t_{PLH}	CLK	Q8	2	9	2	7.5	ns
t_{PHL}			2	10	2	9	
t_{PHZ}	$\overline{\text{OEA}}$ or $\overline{\text{OEB}}$	Any A or B port	2	9	2	7	ns
t_{PLZ}			2	12	2	9.5	
t_{PZH}			2	8	2	7	ns
t_{PZL}			2	11	2	10	

\dagger The positive transition of the MODE control will cause low-level data at the A output bus or stored in Q to be invalid for 12 ns.

NOTE 1: Load circuit and voltage waveforms are shown in Section 1.

PACKAGING INFORMATION

Orderable Device	Status (1)	Package Type	Package Drawing	Pins	Package Qty	Eco Plan (2)	Lead/Ball Finish	MSL Peak Temp (3)	Op Temp (°C)	Top-Side Markings (4)	Samples
SN74AS856DW	OBSOLETE	SOIC	DW	24		TBD	Call TI	Call TI	0 to 70		
SN74AS856NT	OBSOLETE	PDIP	NT	24		TBD	Call TI	Call TI	0 to 70		

(1) The marketing status values are defined as follows:

ACTIVE: Product device recommended for new designs.

LIFEBUY: TI has announced that the device will be discontinued, and a lifetime-buy period is in effect.

NRND: Not recommended for new designs. Device is in production to support existing customers, but TI does not recommend using this part in a new design.

PREVIEW: Device has been announced but is not in production. Samples may or may not be available.

OBSOLETE: TI has discontinued the production of the device.

(2) Eco Plan - The planned eco-friendly classification: Pb-Free (RoHS), Pb-Free (RoHS Exempt), or Green (RoHS & no Sb/Br) - please check <http://www.ti.com/productcontent> for the latest availability information and additional product content details.

TBD: The Pb-Free/Green conversion plan has not been defined.

Pb-Free (RoHS): TI's terms "Lead-Free" or "Pb-Free" mean semiconductor products that are compatible with the current RoHS requirements for all 6 substances, including the requirement that lead not exceed 0.1% by weight in homogeneous materials. Where designed to be soldered at high temperatures, TI Pb-Free products are suitable for use in specified lead-free processes.

Pb-Free (RoHS Exempt): This component has a RoHS exemption for either 1) lead-based flip-chip solder bumps used between the die and package, or 2) lead-based die adhesive used between the die and leadframe. The component is otherwise considered Pb-Free (RoHS compatible) as defined above.

Green (RoHS & no Sb/Br): TI defines "Green" to mean Pb-Free (RoHS compatible), and free of Bromine (Br) and Antimony (Sb) based flame retardants (Br or Sb do not exceed 0.1% by weight in homogeneous material)

(3) MSL, Peak Temp. -- The Moisture Sensitivity Level rating according to the JEDEC industry standard classifications, and peak solder temperature.

(4) Only one of markings shown within the brackets will appear on the physical device.

Important Information and Disclaimer: The information provided on this page represents TI's knowledge and belief as of the date that it is provided. TI bases its knowledge and belief on information provided by third parties, and makes no representation or warranty as to the accuracy of such information. Efforts are underway to better integrate information from third parties. TI has taken and continues to take reasonable steps to provide representative and accurate information but may not have conducted destructive testing or chemical analysis on incoming materials and chemicals. TI and TI suppliers consider certain information to be proprietary, and thus CAS numbers and other limited information may not be available for release.

In no event shall TI's liability arising out of such information exceed the total purchase price of the TI part(s) at issue in this document sold by TI to Customer on an annual basis.

IMPORTANT NOTICE

Texas Instruments Incorporated and its subsidiaries (TI) reserve the right to make corrections, enhancements, improvements and other changes to its semiconductor products and services per JESD46, latest issue, and to discontinue any product or service per JESD48, latest issue. Buyers should obtain the latest relevant information before placing orders and should verify that such information is current and complete. All semiconductor products (also referred to herein as "components") are sold subject to TI's terms and conditions of sale supplied at the time of order acknowledgment.

TI warrants performance of its components to the specifications applicable at the time of sale, in accordance with the warranty in TI's terms and conditions of sale of semiconductor products. Testing and other quality control techniques are used to the extent TI deems necessary to support this warranty. Except where mandated by applicable law, testing of all parameters of each component is not necessarily performed.

TI assumes no liability for applications assistance or the design of Buyers' products. Buyers are responsible for their products and applications using TI components. To minimize the risks associated with Buyers' products and applications, Buyers should provide adequate design and operating safeguards.

TI does not warrant or represent that any license, either express or implied, is granted under any patent right, copyright, mask work right, or other intellectual property right relating to any combination, machine, or process in which TI components or services are used. Information published by TI regarding third-party products or services does not constitute a license to use such products or services or a warranty or endorsement thereof. Use of such information may require a license from a third party under the patents or other intellectual property of the third party, or a license from TI under the patents or other intellectual property of TI.

Reproduction of significant portions of TI information in TI data books or data sheets is permissible only if reproduction is without alteration and is accompanied by all associated warranties, conditions, limitations, and notices. TI is not responsible or liable for such altered documentation. Information of third parties may be subject to additional restrictions.

Resale of TI components or services with statements different from or beyond the parameters stated by TI for that component or service voids all express and any implied warranties for the associated TI component or service and is an unfair and deceptive business practice. TI is not responsible or liable for any such statements.

Buyer acknowledges and agrees that it is solely responsible for compliance with all legal, regulatory and safety-related requirements concerning its products, and any use of TI components in its applications, notwithstanding any applications-related information or support that may be provided by TI. Buyer represents and agrees that it has all the necessary expertise to create and implement safeguards which anticipate dangerous consequences of failures, monitor failures and their consequences, lessen the likelihood of failures that might cause harm and take appropriate remedial actions. Buyer will fully indemnify TI and its representatives against any damages arising out of the use of any TI components in safety-critical applications.

In some cases, TI components may be promoted specifically to facilitate safety-related applications. With such components, TI's goal is to help enable customers to design and create their own end-product solutions that meet applicable functional safety standards and requirements. Nonetheless, such components are subject to these terms.

No TI components are authorized for use in FDA Class III (or similar life-critical medical equipment) unless authorized officers of the parties have executed a special agreement specifically governing such use.

Only those TI components which TI has specifically designated as military grade or "enhanced plastic" are designed and intended for use in military/aerospace applications or environments. Buyer acknowledges and agrees that any military or aerospace use of TI components which have **not** been so designated is solely at the Buyer's risk, and that Buyer is solely responsible for compliance with all legal and regulatory requirements in connection with such use.

TI has specifically designated certain components as meeting ISO/TS16949 requirements, mainly for automotive use. In any case of use of non-designated products, TI will not be responsible for any failure to meet ISO/TS16949.

Products

Audio	www.ti.com/audio
Amplifiers	amplifier.ti.com
Data Converters	dataconverter.ti.com
DLP® Products	www.dlp.com
DSP	dsp.ti.com
Clocks and Timers	www.ti.com/clocks
Interface	interface.ti.com
Logic	logic.ti.com
Power Mgmt	power.ti.com
Microcontrollers	microcontroller.ti.com
RFID	www.ti-rfid.com
OMAP Applications Processors	www.ti.com/omap
Wireless Connectivity	www.ti.com/wirelessconnectivity

Applications

Automotive and Transportation	www.ti.com/automotive
Communications and Telecom	www.ti.com/communications
Computers and Peripherals	www.ti.com/computers
Consumer Electronics	www.ti.com/consumer-apps
Energy and Lighting	www.ti.com/energy
Industrial	www.ti.com/industrial
Medical	www.ti.com/medical
Security	www.ti.com/security
Space, Avionics and Defense	www.ti.com/space-avionics-defense
Video and Imaging	www.ti.com/video

TI E2E Community

e2e.ti.com