

# SN54HC299, SN74HC299 8-BIT UNIVERSAL SHIFT/STORAGE REGISTERS WITH DIRECT CLEAR AND 3-STATE OUTPUTS

D2684, DECEMBER 1982—REVISED SEPTEMBER 1987

- Multiplexed I/O Ports Provide Improved Bit Density
- Four Modes of Operation: Hold (Store), Shift Right, Shift Left, and Load Data
- High Current 3-State Outputs Drive Bus Lines Directly or Up to 15 LSTTL Loads
- Can Be Cascaded for N-Bit Word Lengths
- Package Options Include Plastic "Small Outline" Packages, Ceramic Chip Carriers, and Standard Plastic and Ceramic 300-mil DIPs
- Dependable Texas Instruments Quality and Reliability

## description

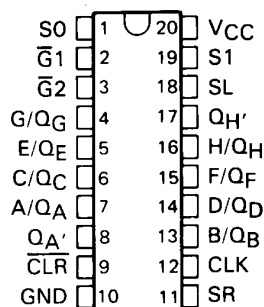
These eight-bit universal registers feature multiplexed I/O ports to achieve full eight-bit handling in a single 20-pin package. 'HC299 applications are as stacked or push-down registers, buffer storage, and accumulator registers.

Two function-select inputs and two output control inputs can be used to choose the modes of operation listed in the function table.

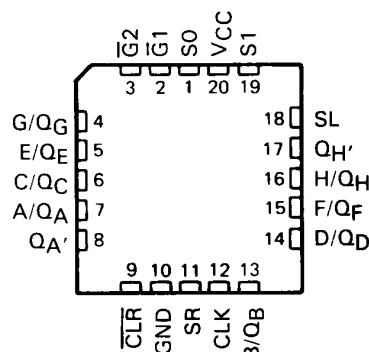
Synchronous parallel loading is accomplished by taking both function-select lines, S0 and S1, high. This places the three-state outputs in a high-impedance state, which permits data that is applied on the I/O ports to be clocked into the register. Reading out of this register can be accomplished while the outputs are enabled in any mode. A direct overriding input is provided to clear the register whether the outputs are enabled or off. Taking either of the output controls,  $\bar{G}1$  or  $\bar{G}2$ , high disables the outputs but does not affect the shifting or storage of data.

The SN54HC299 is characterized for operation over the full military temperature range of  $-55^{\circ}\text{C}$  to  $125^{\circ}\text{C}$ . The SN74HC299 is characterized for operation from  $-40^{\circ}\text{C}$  to  $85^{\circ}\text{C}$ .

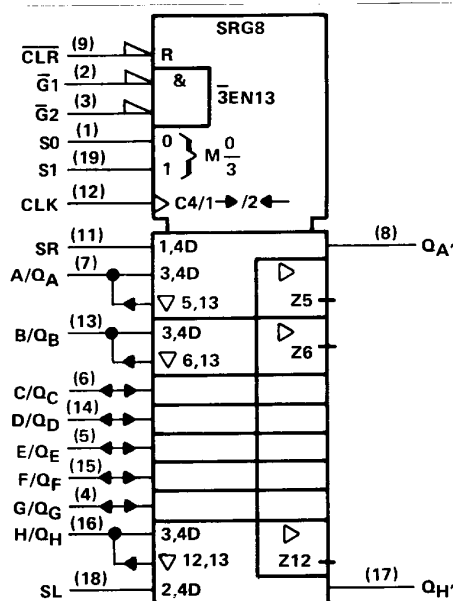
SN54HC299 . . . J PACKAGE  
SN74HC299 . . . DW OR N PACKAGE  
(TOP VIEW)



SN54HC299 . . . FK PACKAGE  
(TOP VIEW)



## logic symbol†



†This symbol is in accordance with ANSI/IEEE Std 91-1984 and IEC Publication 617-12.

PRODUCTION DATA documents contain information current as of publication date. Products conform to specifications per the terms of Texas Instruments standard warranty. Production processing does not necessarily include testing of all parameters.



POST OFFICE BOX 655012 • DALLAS, TEXAS 75265

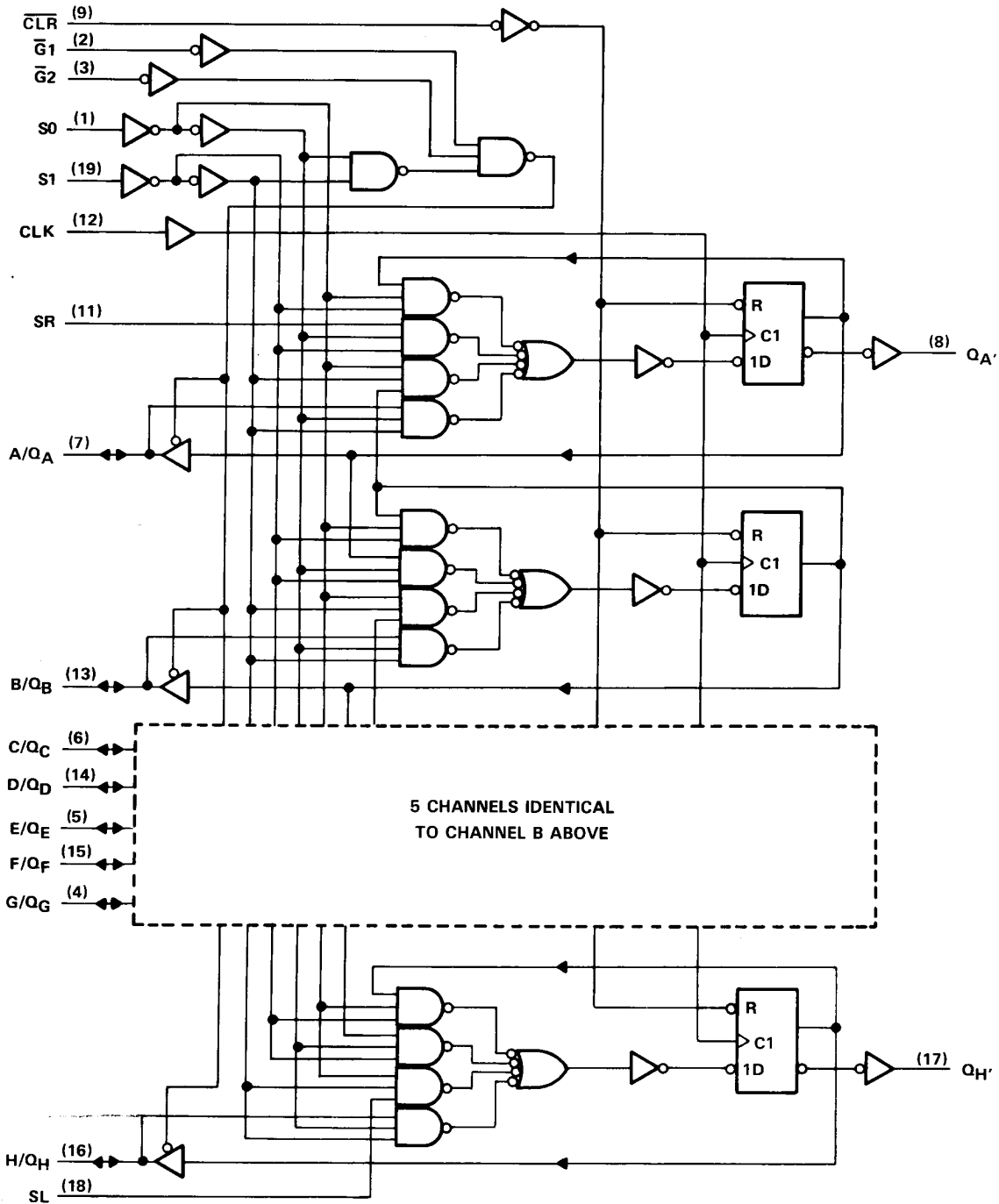
Copyright © 1982, Texas Instruments Incorporated

**SN54HC299, SN74HC299**  
**8-BIT UNIVERSAL SHIFT/STORAGE REGISTERS**  
**WITH DIRECT CLEAR AND 3-STATE OUTPUTS**

logic diagram (positive logic)

**2**

**HCMOS Devices**



**SN54HC299, SN74HC299**  
**8-BIT UNIVERSAL SHIFT/STORAGE REGISTERS**  
**WITH DIRECT CLEAR AND 3-STATE OUTPUTS**

FUNCTION TABLE

MODE	INPUTS						INPUTS/OUTPUTS								OUTPUTS			
	CLEAR	FUNCTION SELECT		OUTPUT CONTROL		CLOCK	SERIAL		A/Q <sub>A</sub>	B/Q <sub>B</sub>	C/Q <sub>C</sub>	D/Q <sub>D</sub>	E/Q <sub>E</sub>	F/Q <sub>F</sub>	G/Q <sub>G</sub>	H/Q <sub>H</sub>	Q <sub>A</sub> '	Q <sub>H</sub> '
		S1	S0	$\bar{G}1^\dagger$	$\bar{G}2^\dagger$		SL	SR										
Clear	L	X	L	L	L	X	X	X	L	L	L	L	L	L	L	L	L	L
	L	L	X	L	L	X	X	X	L	L	L	L	L	L	L	L	L	L
	L	H	H	X	X	X	X	X	X	X	X	X	X	X	X	X	X	X
Hold	H	L	L	L	L	X	X	X	Q <sub>A0</sub>	Q <sub>B0</sub>	Q <sub>C0</sub>	Q <sub>D0</sub>	Q <sub>E0</sub>	Q <sub>F0</sub>	Q <sub>G0</sub>	Q <sub>H0</sub>	Q <sub>A0</sub>	Q <sub>H0</sub>
	H	X	X	L	L	L	X	X	Q <sub>A0</sub>	Q <sub>B0</sub>	Q <sub>C0</sub>	Q <sub>D0</sub>	Q <sub>E0</sub>	Q <sub>F0</sub>	Q <sub>G0</sub>	Q <sub>H0</sub>	Q <sub>A0</sub>	Q <sub>H0</sub>
Shift Right	H	L	H	L	L	↑	X	H	H	Q <sub>An</sub>	Q <sub>Bn</sub>	Q <sub>Cn</sub>	Q <sub>Dn</sub>	Q <sub>En</sub>	Q <sub>Fn</sub>	Q <sub>Gn</sub>	H	Q <sub>Gn</sub>
	H	L	H	L	L	↑	X	L	L	Q <sub>An</sub>	Q <sub>Bn</sub>	Q <sub>Cn</sub>	Q <sub>Dn</sub>	Q <sub>En</sub>	Q <sub>Fn</sub>	Q <sub>Gn</sub>	L	Q <sub>Gn</sub>
Shift Left	H	H	L	L	L	↑	H	X	Q <sub>Bn</sub>	Q <sub>Cn</sub>	Q <sub>Dn</sub>	Q <sub>En</sub>	Q <sub>Fn</sub>	Q <sub>Gn</sub>	Q <sub>Hn</sub>	H	Q <sub>Bn</sub>	H
	H	H	L	L	L	↑	L	X	Q <sub>Bn</sub>	Q <sub>Cn</sub>	Q <sub>Dn</sub>	Q <sub>En</sub>	Q <sub>Fn</sub>	Q <sub>Gn</sub>	Q <sub>Hn</sub>	L	Q <sub>Bn</sub>	L
Load	H	H	H	X	X	↑	X	X	a	b	c	d	e	f	g	h	a	h

†When one or both output controls are high the eight input/output terminals are disabled to the high-impedance state; however, sequential operation or clearing of the register is not affected.

a . . . h = the level of the steady-state input at inputs through H, respectively. These data are loaded into the flip-flops while the flip-flop outputs are isolated from the input/output terminals.

**absolute maximum ratings over operating free-air temperature †**

- Supply voltage, V<sub>CC</sub> . . . . . -0.5 V to 7 V
- Input clamp current, I<sub>IK</sub> (V<sub>I</sub> < 0 or V<sub>I</sub> > V<sub>CC</sub>) . . . . . ± 20 mA
- Output clamp current, I<sub>OK</sub> (V<sub>O</sub> < 0 or V<sub>O</sub> > V<sub>CC</sub>) . . . . . ± 20 mA
- Continuous output current, I<sub>O</sub> (V<sub>O</sub> = 0 to V<sub>CC</sub>) . . . . . ± 35 mA
- Continuous current through V<sub>CC</sub> or GND pins . . . . . ± 70 mA
- Lead temperature 1,6 mm (1/16 in) from case for 60 s: FK or J package . . . . . 300 °C
- Lead temperature 1,6 mm (1/16 in) from case for 10 s: DW or N package . . . . . 260 °C
- Storage temperature range . . . . . -65 °C to 150 °C

†Stresses beyond those listed under "absolute maximum ratings" may cause permanent damage to the device. These are stress ratings only, and functional operation of the device at these or any other conditions beyond those indicated under "recommended operating conditions" is not implied. Exposure to absolute-maximum-rated conditions for extended periods may affect device reliability.

**recommended operating conditions**

		SN54HC299			SN74HC299			UNIT
		MIN	NOM	MAX	MIN	NOM	MAX	
V <sub>CC</sub>	Supply voltage	2	5	6	2	5	6	V
V <sub>IH</sub>	High-level input voltage	V <sub>CC</sub> = 2 V		1.5	1.5		V	
		V <sub>CC</sub> = 4.5 V		3.15	3.15			
		V <sub>CC</sub> = 6 V		4.2	4.2			
V <sub>IL</sub>	Low-level input voltage	V <sub>CC</sub> = 2 V		0	0		V	
		V <sub>CC</sub> = 4.5 V		0	0			
		V <sub>CC</sub> = 6 V		0	0			
V <sub>I</sub>	Input voltage			0	V <sub>CC</sub>		V	
V <sub>O</sub>	Output voltage			0	V <sub>CC</sub>		V	
t <sub>t</sub>	Input transition (rise and fall) times	V <sub>CC</sub> = 2 V		0	1000		ns	
		V <sub>CC</sub> = 4.5 V		0	500			
		V <sub>CC</sub> = 6 V		0	400			
T <sub>A</sub>	Operating free-air temperature			-55	125		°C	

**2**  
**HCMOS Devices**

**SN54HC299, SN74HC299**  
**8-BIT UNIVERSAL SHIFT/STORAGE REGISTERS**  
**WITH DIRECT CLEAR AND 3-STATE OUTPUTS**

electrical characteristics over recommended operating free-air temperature range (unless otherwise noted)

2

HCMOS Devices

PARAMETER	TEST CONDITIONS	V <sub>CC</sub>	T <sub>A</sub> = 25°C			SN54HC299		SN74HC299		UNIT
			MIN	TYP	MAX	MIN	MAX	MIN	MAX	
V <sub>OH</sub>	V <sub>I</sub> = V <sub>IH</sub> or V <sub>IL</sub> , I <sub>OH</sub> = -20 μA	2 V	1.9	1.998		1.9		1.9	V	
		4.5 V	4.4	4.499		4.4		4.4		
		6 V	5.9	5.999		5.9		5.9		
V <sub>OH</sub>	V <sub>I</sub> = V <sub>IH</sub> or V <sub>IL</sub> Q <sub>A</sub> ' and Q <sub>H</sub> ' I <sub>OH</sub> = -4 mA A/Q <sub>n</sub> thru H/Q <sub>n</sub> I <sub>OH</sub> = -6 mA	4.5 V	3.98	4.30		3.7		3.84	V	
		6 V	5.48	5.80		5.2		5.34		
V <sub>OL</sub>	V <sub>I</sub> = V <sub>IH</sub> or V <sub>IL</sub> , I <sub>OL</sub> = 20 μA	2 V		0.002	0.1		0.1		0.1	
		4.5 V		0.001	0.1		0.1		0.1	
		6 V		0.001	0.1		0.1		0.1	
V <sub>OL</sub>	V <sub>I</sub> = V <sub>IH</sub> or V <sub>IL</sub> Q <sub>A</sub> ' and Q <sub>H</sub> ' I <sub>OL</sub> = 4 mA A/Q <sub>n</sub> thru H/Q <sub>n</sub> I <sub>OL</sub> = 6 mA	4.5 V		0.17	0.26		0.4		0.33	
		6 V		0.15	0.26		0.4		0.33	
V <sub>OL</sub>	V <sub>I</sub> = V <sub>IH</sub> or V <sub>IL</sub> Q <sub>A</sub> ' and Q <sub>H</sub> ' I <sub>OL</sub> = 5.2 mA A/Q <sub>n</sub> thru H/Q <sub>n</sub> I <sub>OL</sub> = 7.8 mA	6 V		0.15	0.26		0.4		0.33	
		6 V		0.15	0.26		0.4		0.33	
I <sub>I</sub>	V <sub>I</sub> = V <sub>CC</sub> or 0	6 V		±0.1	±100		±1000		±1000	nA
I <sub>OZ</sub> <sup>†</sup>	V <sub>O</sub> = V <sub>CC</sub> or 0, V <sub>I</sub> = V <sub>IH</sub> or V <sub>IL</sub>	6 V		±0.01	±0.5		±10		±5	μA
I <sub>CC</sub>	V <sub>I</sub> = V <sub>CC</sub> or 0, I <sub>O</sub> = 0	6 V			8		160		80	μA
C <sub>i</sub> <sup>‡</sup>		2 to 6 V		3	10		10		10	pF

<sup>†</sup>For I/O ports (Q<sub>A</sub> through Q<sub>H</sub>), the parameter I<sub>I</sub> is included in the off-state output current.

<sup>‡</sup>This parameter, C<sub>i</sub>, does not apply to transceiver I/O ports.

timing requirements over recommended operating free-air temperature range (unless otherwise noted)

	V <sub>CC</sub>	T <sub>A</sub> = 25°C		SN54HC299		SN74HC299		UNIT
		MIN	MAX	MIN	MAX	MIN	MAX	
f <sub>clock</sub> Clock frequency	2 V	0	6	0	4.2	0	5	MHz
	4.5 V	0	31	0	21	0	25	
	6 V	0	36	0	25	0	29	
t <sub>w</sub> Pulse duration	CLK high, CLK low, or $\overline{\text{CLR}}$ low	2 V	80		120		100	ns
		4.5 V	16		24		20	
		6 V	14		20		17	
t <sub>su</sub> Setup time before CLK <sup>†</sup>	S0 or S1	2 V	175		263		219	ns
		4.5 V	35		53		44	
		6 V	30		45		37	
	SL or SR	2 V	100		150		125	ns
		4.5 V	20		30		25	
		6 V	17		26		21	
Data or $\overline{\text{CLR}}$ inactive	2 V	65		98		81	ns	
	4.5 V	13		20		16		
t <sub>h</sub> Hold time after CLK <sup>†</sup>	Select or data	2 V	0		0		0	ns
		4.5 V	0		0		0	
		6 V	0		0		0	

**SN54HC299, SN74HC299**  
**8-BIT UNIVERSAL SHIFT/STORAGE REGISTERS**  
**WITH DIRECT CLEAR AND 3-STATE OUTPUTS**

switching characteristics over recommended operating free-air temperature range (unless otherwise noted),  $C_L = 50$  pF (see Note 1)

PARAMETER	FROM (INPUT)	TO (OUTPUT)	V <sub>CC</sub>	T <sub>A</sub> = 25°C			SN54HC299		SN74HC299		UNIT
				MIN	TYP	MAX	MIN	MAX	MIN	MAX	
f <sub>max</sub>			2 V	6			4.2		5	MHz	
			4.5 V	31			21		25		
			6 V	36			25		29		
t <sub>pd</sub>	CLK	Q <sub>A'</sub> or Q <sub>H'</sub>	2 V		45	170		285		210	ns
			4.5 V		16	38		57		48	
			6 V		13	32		48		40	
		Q <sub>A</sub> thru Q <sub>H</sub>	2 V		42	170		285		210	ns
			4.5 V		16	38		57		48	
			6 V		12	32		48		40	
t <sub>en</sub>	G <sub>1</sub> or G <sub>2</sub>	Q <sub>A</sub> thru Q <sub>H</sub>	2 V		60	160		240		200	ns
			4.5 V		24	32		48		40	
			6 V		23	27		41		34	
	S <sub>0</sub> or S <sub>1</sub>		2 V		115	300		450		375	ns
			4.5 V		44	60		90		75	
			6 V		39	51		77		64	
t <sub>dis</sub>	G <sub>1</sub> , or G <sub>2</sub>	Q <sub>A</sub> thru Q <sub>H</sub>	2 V		60	160		240		200	ns
			4.5 V		24	32		48		40	
			6 V		23	27		41		34	
	S <sub>0</sub> or S <sub>1</sub>		2 V		115	300		450		375	ns
			4.5 V		44	60		90		75	
			6 V		39	51		77		64	
t <sub>PHL</sub>	CLR	Q <sub>A'</sub> or Q <sub>H'</sub>	2 V		41	210		315		250	ns
			4.5 V		17	42		63		53	
			6 V		13	36		54		45	
		Q <sub>A</sub> thru Q <sub>H</sub>	2 V		50	200		315		250	ns
			4.5 V		17	42		63		53	
			6 V		13	36		54		45	
t <sub>t</sub>		Q <sub>A'</sub> or Q <sub>H'</sub>	2 V		38	75		110		95	ns
			4.5 V		8	15		22		19	
			6 V		6	13		19		16	
		Q <sub>A</sub> thru Q <sub>H</sub>	2 V		38	60		90		75	ns
			4.5 V		8	12		18		15	
			6 V		6	10		15		13	

2

HCMOS Devices

$C_{pd}$	Power dissipation capacitance	No load, T <sub>A</sub> = 25°C	100 pF typ
----------	-------------------------------	--------------------------------	------------

NOTE 1: Load circuit and voltage waveforms are shown in Section 1.

**SN54HC299, SN74HC299**  
**8-BIT UNIVERSAL SHIFT/STORAGE REGISTERS**  
**WITH DIRECT CLEAR AND 3-STATE OUTPUTS**

switching characteristics over recommended operating free-air temperature range (unless otherwise noted),  $C_L = 150$  pF (see Note 1)

PARAMETER	FROM (INPUT)	TO (OUTPUT)	V <sub>CC</sub>	T <sub>A</sub> = 25°C			SN54HC299		SN74HC299		UNIT
				MIN	TYP	MAX	MIN	MAX	MIN	MAX	
t <sub>pd</sub>	CLK	Q <sub>A</sub> thru Q <sub>H</sub>	2 V		56	230		345		288	ns
			4.5 V		21	46		69		58	
			6 V		16	39		59		49	
t <sub>en</sub>	$\overline{G}1$ or $\overline{G}2$	Q <sub>A</sub> thru Q <sub>H</sub>	2 V		94	220		330		275	ns
			4.5 V		38	44		66		55	
			6 V		33	37		56		47	
	S <sub>0</sub> or S <sub>1</sub>	Q <sub>A</sub> thru Q <sub>H</sub>	2 V		130	450		675		563	ns
			4.5 V		59	90		135		113	
			6 V		49	77		115		96	
t <sub>PHL</sub>	$\overline{CLR}$	Q <sub>A</sub> thru Q <sub>H</sub>	2 V		63	260		390		325	ns
			4.5 V		21	52		78		65	
			6 V		17	44		66		55	
t <sub>t</sub>		Q <sub>A</sub> thru Q <sub>H</sub>	2 V		45	210		315		265	ns
			4.5 V		17	42		63		53	
			6 V		13	36		53		45	

NOTE 1: Load circuit and voltage waveforms are shown in Section 1.

2

HC MOS Devices

## IMPORTANT NOTICE

Texas Instruments and its subsidiaries (TI) reserve the right to make changes to their products or to discontinue any product or service without notice, and advise customers to obtain the latest version of relevant information to verify, before placing orders, that information being relied on is current and complete. All products are sold subject to the terms and conditions of sale supplied at the time of order acknowledgement, including those pertaining to warranty, patent infringement, and limitation of liability.

TI warrants performance of its semiconductor products to the specifications applicable at the time of sale in accordance with TI's standard warranty. Testing and other quality control techniques are utilized to the extent TI deems necessary to support this warranty. Specific testing of all parameters of each device is not necessarily performed, except those mandated by government requirements.

CERTAIN APPLICATIONS USING SEMICONDUCTOR PRODUCTS MAY INVOLVE POTENTIAL RISKS OF DEATH, PERSONAL INJURY, OR SEVERE PROPERTY OR ENVIRONMENTAL DAMAGE ("CRITICAL APPLICATIONS"). TI SEMICONDUCTOR PRODUCTS ARE NOT DESIGNED, AUTHORIZED, OR WARRANTED TO BE SUITABLE FOR USE IN LIFE-SUPPORT DEVICES OR SYSTEMS OR OTHER CRITICAL APPLICATIONS. INCLUSION OF TI PRODUCTS IN SUCH APPLICATIONS IS UNDERSTOOD TO BE FULLY AT THE CUSTOMER'S RISK.

In order to minimize risks associated with the customer's applications, adequate design and operating safeguards must be provided by the customer to minimize inherent or procedural hazards.

TI assumes no liability for applications assistance or customer product design. TI does not warrant or represent that any license, either express or implied, is granted under any patent right, copyright, mask work right, or other intellectual property right of TI covering or relating to any combination, machine, or process in which such semiconductor products or services might be or are used. TI's publication of information regarding any third party's products or services does not constitute TI's approval, warranty or endorsement thereof.