

SN54273, SN54LS273, SN74273, SN74LS273 OCTAL D-TYPE FLIP-FLOP WITH CLEAR

SDLS090 – OCTOBER 1976 – REVISED MARCH 1988

- Contains Eight Flip-Flops With Single-Rail Outputs
- Buffered Clock and Direct Clear Inputs
- Individual Data Input to Each Flip-Flop
- Applications Include:
 - Buffer/Storage Registers
 - Shift Registers
 - Pattern Generators

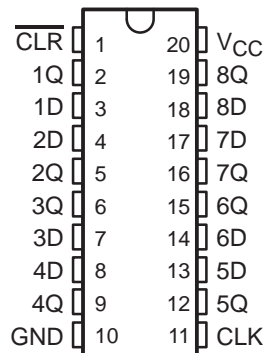
description

These monolithic, positive-edge-triggered flip-flops utilize TTL circuitry to implement D-type flip-flop logic with a direct clear input.

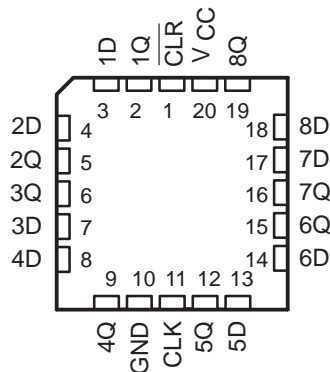
Information at the D inputs meeting the setup time requirements is transferred to the Q outputs on the positive-going edge of the clock pulse. Clock triggering occurs at a particular voltage level and is not directly related to the transition time of the positive-going pulse. When the clock input is at either the high or low level, the D input signal has no effect at the output.

These flip-flops are guaranteed to respond to clock frequencies ranging from 0 to 30 megahertz while maximum clock frequency is typically 40 megahertz. Typical power dissipation is 39 milliwatts per flip-flop for the '273 and 10 milliwatts for the 'LS273.

SN54273, SN74LS273 . . . J OR W PACKAGE
SN74273 . . . N PACKAGE
SN74LS273 . . . DW OR N PACKAGE
(TOP VIEW)



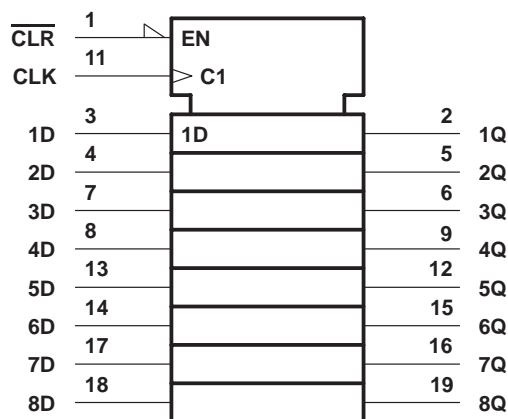
SN54LS273 . . . FK PACKAGE
(TOP VIEW)



FUNCTION TABLE
(each flip-flop)

| INPUTS | | | OUTPUT |
|--------|-------|---|----------------|
| CLEAR | CLOCK | D | Q |
| L | X | X | L |
| H | ↑ | H | H |
| H | ↑ | L | L |
| H | L | X | Q ₀ |

logic symbol†

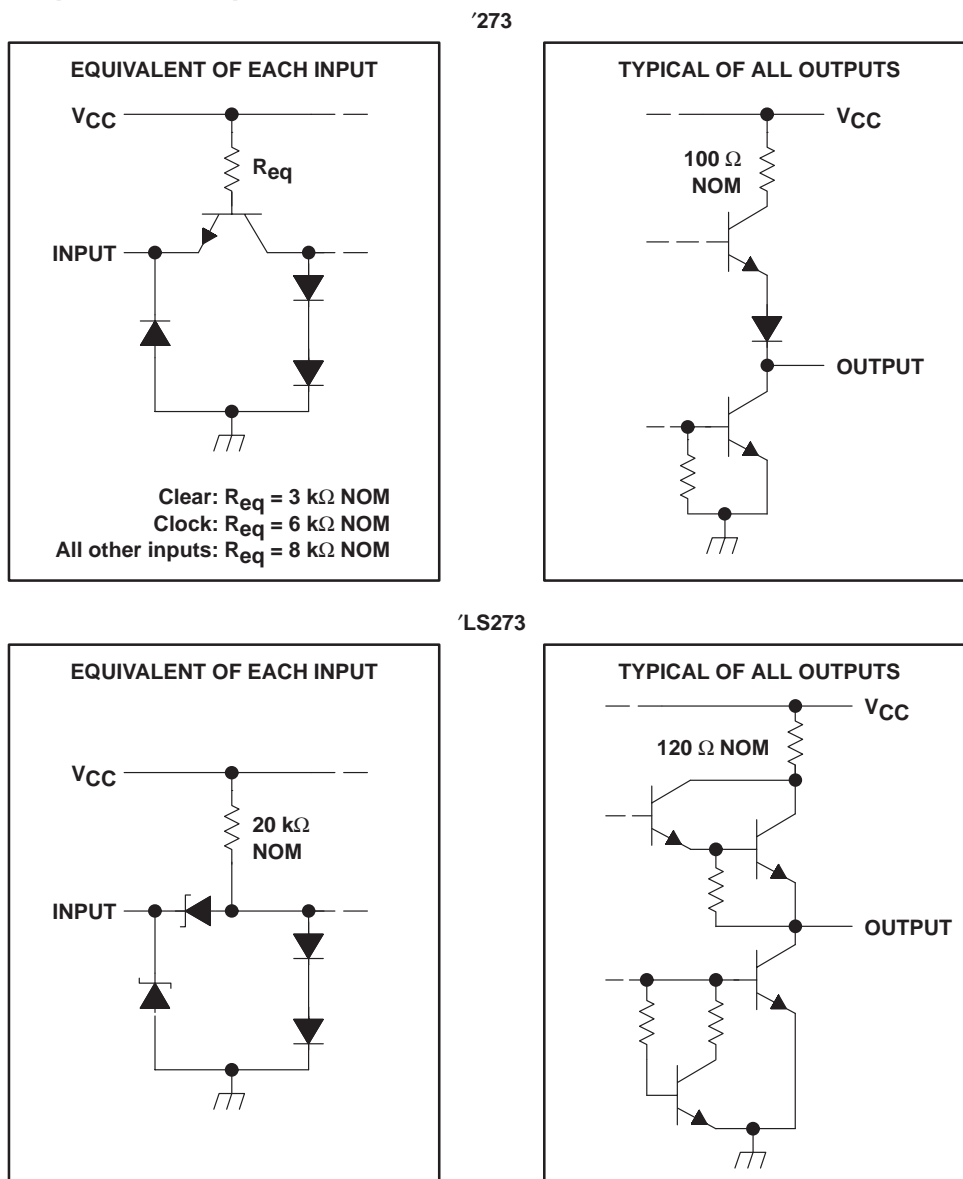


† This symbol is in accordance with ANSI/IEEE Std. 91-1984 and IEC Publication 617-12. Pin numbers shown are for the DW, J, N, and W packages.

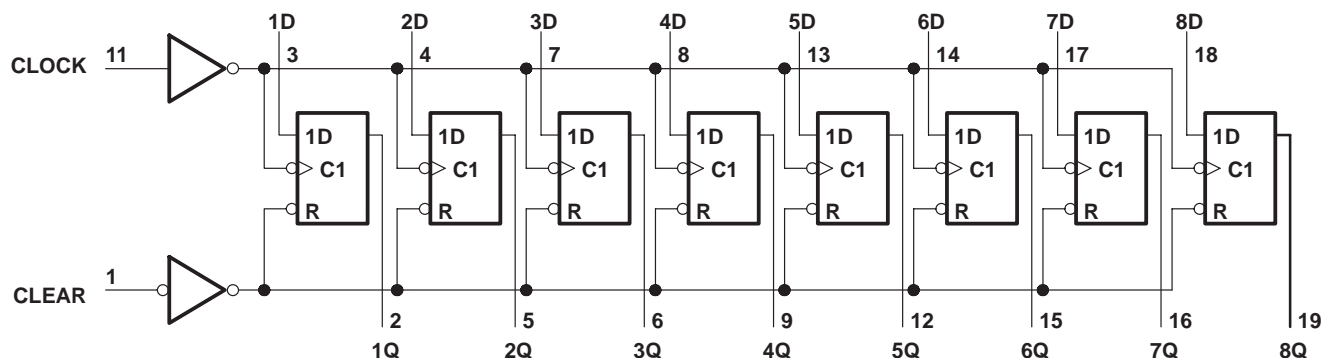
SN54273, SN54LS273, SN74273, SN74LS273 OCTAL D-TYPE FLIP-FLOP WITH CLEAR

SDLS090 – OCTOBER 1976 – REVISED MARCH 1988

schematics of inputs and outputs



logic diagram (positive logic)



Pin numbers shown are for the DW, J, N, and W packages.

SN54273, SN54LS273, SN74273, SN74LS273 OCTAL D-TYPE FLIP-FLOP WITH CLEAR

SDLS090 – OCTOBER 1976 – REVISED MARCH 1988

absolute maximum ratings over operating free-air temperature range (unless otherwise noted)

| | |
|---|----------------|
| Supply voltage, V_{CC} (see Note 1) | 7 V |
| Input voltage | 5.5 V |
| Operating free-air temperature range, T_A : SN54273 | -55°C to 125°C |
| SN74273 | 0°C to 70°C |
| Storage temperature range | -65°C to 150°C |

NOTE 1: Voltage values are with respect to network ground terminal.

recommended operating conditions

| | SN54273 | | | SN74273 | | | UNIT |
|---------------------------------------|----------------------|------|---------------|---------------|------|------|---------|
| | MIN | NOM | MAX | MIN | NOM | MAX | |
| Supply voltage, V_{CC} | 4.5 | 5 | 5.5 | 4.75 | 5 | 5.25 | V |
| High-level output current, I_{OH} | | | -800 | | | -800 | μ A |
| Low-level output current, I_{OL} | | | 16 | | | 16 | mA |
| Clock frequency, f_{clock} | | | 30 | | | 30 | MHz |
| Width of clock or clear pulse, t_w | | 16.5 | | | 16.5 | | ns |
| Setup time, t_{su} | Data input | | 20 \uparrow | 20 \uparrow | | | ns |
| | Clear inactive state | | 25 \uparrow | 25 \uparrow | | | |
| Data hold time, t_h | 5 \uparrow | | | 5 \uparrow | | | ns |
| Operating free-air temperature, T_A | -55 | | 125 | 0 | | 70 | °C |

\uparrow The arrow indicates that the rising edge of the clock pulse is used for reference.

electrical characteristics over recommended operating free-air temperature range (unless otherwise noted)

| PARAMETER | | TEST CONDITIONS \dagger | MIN | TYP \ddagger | MAX | UNIT |
|-----------|--|--|--|----------------|------|---------|
| V_{IH} | High-level input voltage | | 2 | | | V |
| V_{IL} | Low-level input voltage | | | | 0.8 | V |
| V_{IK} | Input clamp voltage | $V_{CC} = \text{MIN}$, $I_I = -12 \text{ mA}$ | | | -1.5 | V |
| V_{OH} | High-level output voltage | $V_{CC} = \text{MIN}$, $V_{IL} = 0.8 \text{ V}$, $I_{OH} = -800 \mu\text{A}$ | 2.4 | 3.4 | | V |
| V_{OL} | Low-level output voltage | $V_{CC} = \text{MIN}$, $V_{IL} = 0.8 \text{ V}$, $I_{OH} = 16 \text{ mA}$ | | | 0.4 | V |
| I_I | Input current at maximum input voltage | $V_{CC} = \text{MAX}$, $V_I = 5.5 \text{ V}$ | | | 1 | mA |
| I_{IH} | High-level input current | Clear | | | 80 | μ A |
| | | Clock or D | $V_{CC} = \text{MAX}$, $V_I = 2.4 \text{ V}$ | | 40 | |
| I_{IL} | Low-level input current | Clear | | | -3.2 | mA |
| | | Clock or D | $V_{CC} = \text{MAX}$, $V_I = 0.4 \text{ V}$ | | -1.6 | |
| I_{OS} | Short-circuit output current \S | $V_{CC} = \text{MAX}$ | -18 | | -57 | mA |
| I_{CC} | Supply current | $V_{CC} = \text{MAX}$, See Note 2 | | 62 | 94 | mA |

\dagger For conditions shown as MIN or MAX, use the appropriate value specified under recommended operating conditions.

\ddagger All typical values are at $V_{CC} = 5 \text{ V}$, $T_A = 25^\circ\text{C}$.

\S Not more than one output should be shorted at a time.

NOTE 2: With all outputs open and 4.5 V applied to all data and clear inputs, I_{CC} is measured after a momentary ground, then 4.5 V, is applied to clock.



SN54273, SN54LS273, SN74273, SN74LS273 OCTAL D-TYPE FLIP-FLOP WITH CLEAR

SDLS090 – OCTOBER 1976 – REVISED MARCH 1988

switching characteristics, $V_{CC} = 5\text{ V}$, $T_A = 25^\circ\text{C}$

| PARAMETER | | TEST CONDITIONS | MIN | TYP | MAX | UNIT |
|------------|---|---|-----|-----|-----|------|
| f_{\max} | Maximum clock frequency | $C_L = 15\text{ pF}$, $R_L = 400\ \Omega$, See Note 3 | 30 | 40 | | MHz |
| t_{PHL} | Propagation delay time, high-to-low-level output from clear | | | 18 | 27 | ns |
| t_{PLH} | Propagation delay time, low-to-high-level output from clock | | | 17 | 27 | ns |
| t_{PHL} | Propagation delay time, high-to-low-level output from clock | | | 18 | 27 | ns |

NOTE 3: Load circuits and voltage waveforms are shown in Section 1.

absolute maximum ratings over operating free-air temperature range (unless otherwise noted)

| | |
|---|--|
| Supply voltage, V_{CC} (see Note 1) | 7 V |
| Input voltage | 7 V |
| Operating free-air temperature range, T_A : SN54LS273 | -55°C to 125°C |
| SN74LS273 | 0°C to 70°C |
| Storage temperature range | -65°C to 150°C |

NOTE 1: Voltage values are with respect to network ground terminal.

recommended operating conditions

| | SN54LS273 | | | SN74LS273 | | | UNIT |
|---------------------------------------|----------------------|-----|------|---------------|-----|------|------------------|
| | MIN | NOM | MAX | MIN | NOM | MAX | |
| Supply voltage, V_{CC} | 4.5 | 5 | 5.5 | 4.75 | 5 | 5.25 | V |
| High-level output current, I_{OH} | | | -400 | | | -400 | μA |
| Low-level output current, I_{OL} | | | 4 | | | 8 | mA |
| Clock frequency, f_{clock} | 0 | | 30 | 0 | | 30 | MHz |
| Width of clock or clear pulse, t_w | 20 | | | 20 | | | ns |
| Setup time, t_{su} | Data input | | | 20 \uparrow | | | ns |
| | Clear inactive state | | | 25 \uparrow | | | |
| Data hold time, t_h | 5 \uparrow | | | 5 \uparrow | | | ns |
| Operating free-air temperature, T_A | -55 | | 125 | 0 | | 70 | $^\circ\text{C}$ |

\uparrow The arrow indicates that the rising edge of the clock pulse is used for reference.

SN54273, SN54LS273, SN74273, SN74LS273 OCTAL D-TYPE FLIP-FLOP WITH CLEAR

SDLS090 – OCTOBER 1976 – REVISED MARCH 1988

electrical characteristics over recommended operating free-air temperature range (unless otherwise noted)

| PARAMETER | TEST CONDITIONST | SN54LS273 | | | SN74LS273 | | | UNIT |
|---|--|-----------|------|------|-----------|------|------|------|
| | | MIN | TYP‡ | MAX | MIN | TYP‡ | MAX | |
| V _{IH} High-level input voltage | | 2 | | | 2 | | | V |
| V _{IL} Low-level input voltage | | | | 0.7 | | | 0.8 | V |
| V _{IK} Input clamp voltage | V _{CC} = MIN, I _I = -18 mA | | | -1.5 | | | -1.5 | V |
| V _{OH} High-level output voltage | V _{CC} = MIN, V _{IH} = 2 V, V _{IL} = V _{ILmax} , I _{OH} = -400 μA | 2.5 | 3.4 | | 2.7 | 3.4 | | V |
| V _{OL} Low-level output voltage | V _{CC} = MIN, V _{IH} = 2 V, V _{IL} = V _{ILmax} , I _{OL} = 4 mA | 0.25 | 0.4 | | 0.25 | 0.4 | | V |
| | | | | | 0.35 | 0.5 | | |
| I _I Input current at maximum input voltage | V _{CC} = MAX, V _I = 7 V | | | 0.1 | | | 0.1 | mA |
| I _{IH} High-level input current | V _{CC} = MAX, V _I = 2.7 V | | | 20 | | | 20 | μA |
| I _{IL} Low-level input current | V _{CC} = MAX, V _I = 0.4 V | | | -0.4 | | | -0.4 | mA |
| I _{OS} Short-circuit output current§ | V _{CC} = MAX | -20 | | -100 | -20 | | -100 | mA |
| I _{CC} Supply current | V _{CC} = MAX, See Note 2 | | 17 | 27 | | 17 | 27 | mA |

† For conditions shown as MIN or MAX, use the appropriate value specified under recommended operating conditions.

‡ All typical values are at V_{CC} = 5 V, T_A = 25°C.

§ Not more than one output should be shorted at a time and duration of short circuit should not exceed one second.

NOTE 2: With all outputs open and 4.5 V applied to all data and clear inputs, I_{CC} is measured after a momentary ground, then 4.5 V, is applied to clock.

switching characteristics, V_{CC} = 5 V, T_A = 25°C

| PARAMETER | TEST CONDITIONS | MIN | TYP | MAX | UNIT |
|--|---|-----|-----|-----|------|
| f _{max} Maximum clock frequency | C _L = 15 pF, R _L = 2 kΩ, See Note 3 | 30 | 40 | | MHz |
| t _{PHL} Propagation delay time, high-to-low-level output from clear | | | 18 | 27 | ns |
| t _{PLH} Propagation delay time, low-to-high-level output from clock | | | 17 | 27 | ns |
| t _{PHL} Propagation delay time, high-to-low-level output from clock | | | 18 | 27 | ns |

NOTE 3: Load circuits and voltage waveforms are shown in Section 1.



TAPE AND REEL INFORMATION
REEL DIMENSIONS

TAPE DIMENSIONS


| | |
|----|---|
| A0 | Dimension designed to accommodate the component width |
| B0 | Dimension designed to accommodate the component length |
| K0 | Dimension designed to accommodate the component thickness |
| W | Overall width of the carrier tape |
| P1 | Pitch between successive cavity centers |

TAPE AND REEL INFORMATION

*All dimensions are nominal

| Device | Package Type | Package Drawing | Pins | SPQ | Reel Diameter (mm) | Reel Width W1 (mm) | A0 (mm) | B0 (mm) | K0 (mm) | P1 (mm) | W (mm) | Pin1 Quadrant |
|--------------|--------------|-----------------|------|------|--------------------|--------------------|---------|---------|---------|---------|--------|---------------|
| SN74LS273DWR | SOIC | DW | 20 | 2000 | 330.0 | 24.4 | 10.8 | 13.0 | 2.7 | 12.0 | 24.0 | Q1 |
| SN74LS273NSR | SO | NS | 20 | 2000 | 330.0 | 24.4 | 8.2 | 13.0 | 2.5 | 12.0 | 24.0 | Q1 |

TAPE AND REEL BOX DIMENSIONS


*All dimensions are nominal

| Device | Package Type | Package Drawing | Pins | SPQ | Length (mm) | Width (mm) | Height (mm) |
|--------------|--------------|-----------------|------|------|-------------|------------|-------------|
| SN74LS273DWR | SOIC | DW | 20 | 2000 | 367.0 | 367.0 | 45.0 |
| SN74LS273NSR | SO | NS | 20 | 2000 | 367.0 | 367.0 | 45.0 |

IMPORTANT NOTICE

Texas Instruments Incorporated and its subsidiaries (TI) reserve the right to make corrections, enhancements, improvements and other changes to its semiconductor products and services per JESD46C and to discontinue any product or service per JESD48B. Buyers should obtain the latest relevant information before placing orders and should verify that such information is current and complete. All semiconductor products (also referred to herein as "components") are sold subject to TI's terms and conditions of sale supplied at the time of order acknowledgment.

TI warrants performance of its components to the specifications applicable at the time of sale, in accordance with the warranty in TI's terms and conditions of sale of semiconductor products. Testing and other quality control techniques are used to the extent TI deems necessary to support this warranty. Except where mandated by applicable law, testing of all parameters of each component is not necessarily performed.

TI assumes no liability for applications assistance or the design of Buyers' products. Buyers are responsible for their products and applications using TI components. To minimize the risks associated with Buyers' products and applications, Buyers should provide adequate design and operating safeguards.

TI does not warrant or represent that any license, either express or implied, is granted under any patent right, copyright, mask work right, or other intellectual property right relating to any combination, machine, or process in which TI components or services are used. Information published by TI regarding third-party products or services does not constitute a license to use such products or services or a warranty or endorsement thereof. Use of such information may require a license from a third party under the patents or other intellectual property of the third party, or a license from TI under the patents or other intellectual property of TI.

Reproduction of significant portions of TI information in TI data books or data sheets is permissible only if reproduction is without alteration and is accompanied by all associated warranties, conditions, limitations, and notices. TI is not responsible or liable for such altered documentation. Information of third parties may be subject to additional restrictions.

Resale of TI components or services with statements different from or beyond the parameters stated by TI for that component or service voids all express and any implied warranties for the associated TI component or service and is an unfair and deceptive business practice. TI is not responsible or liable for any such statements.

Buyer acknowledges and agrees that it is solely responsible for compliance with all legal, regulatory and safety-related requirements concerning its products, and any use of TI components in its applications, notwithstanding any applications-related information or support that may be provided by TI. Buyer represents and agrees that it has all the necessary expertise to create and implement safeguards which anticipate dangerous consequences of failures, monitor failures and their consequences, lessen the likelihood of failures that might cause harm and take appropriate remedial actions. Buyer will fully indemnify TI and its representatives against any damages arising out of the use of any TI components in safety-critical applications.

In some cases, TI components may be promoted specifically to facilitate safety-related applications. With such components, TI's goal is to help enable customers to design and create their own end-product solutions that meet applicable functional safety standards and requirements. Nonetheless, such components are subject to these terms.

No TI components are authorized for use in FDA Class III (or similar life-critical medical equipment) unless authorized officers of the parties have executed a special agreement specifically governing such use.

Only those TI components which TI has specifically designated as military grade or "enhanced plastic" are designed and intended for use in military/aerospace applications or environments. Buyer acknowledges and agrees that any military or aerospace use of TI components which have **not** been so designated is solely at the Buyer's risk, and that Buyer is solely responsible for compliance with all legal and regulatory requirements in connection with such use.

TI has specifically designated certain components which meet ISO/TS16949 requirements, mainly for automotive use. Components which have not been so designated are neither designed nor intended for automotive use; and TI will not be responsible for any failure of such components to meet such requirements.

Products

| | |
|------------------------|--|
| Audio | www.ti.com/audio |
| Amplifiers | amplifier.ti.com |
| Data Converters | dataconverter.ti.com |
| DLP® Products | www.dlp.com |
| DSP | dsp.ti.com |
| Clocks and Timers | www.ti.com/clocks |
| Interface | interface.ti.com |
| Logic | logic.ti.com |
| Power Mgmt | power.ti.com |
| Microcontrollers | microcontroller.ti.com |
| RFID | www.ti-rfid.com |
| OMAP Mobile Processors | www.ti.com/omap |
| Wireless Connectivity | www.ti.com/wirelessconnectivity |

Applications

| | |
|-------------------------------|--|
| Automotive and Transportation | www.ti.com/automotive |
| Communications and Telecom | www.ti.com/communications |
| Computers and Peripherals | www.ti.com/computers |
| Consumer Electronics | www.ti.com/consumer-apps |
| Energy and Lighting | www.ti.com/energy |
| Industrial | www.ti.com/industrial |
| Medical | www.ti.com/medical |
| Security | www.ti.com/security |
| Space, Avionics and Defense | www.ti.com/space-avionics-defense |
| Video and Imaging | www.ti.com/video |

TI E2E Community e2e.ti.com