

FEATURES

- LOW COST COMPLETE H-BRIDGE
- SELF-CONTAINED SMART LOWSIDE/HIGHSIDE DRIVE CIRCUITRY
- SINGLE SUPPLY OPERATION
- WIDE SUPPLY RANGE: UP TO 80V
- 5A CONTINUOUS OUTPUT
- HERMETIC SEALED PACKAGE
- HIGH EFFICIENCY: 97%
- FOUR QUADRANT OPERATION, TORQUE CONTROL CAPABILITY
- INTERNAL PWM GENERATION

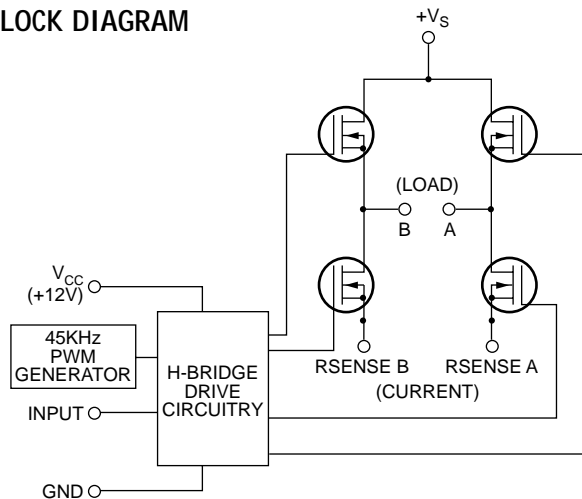
APPLICATIONS

- BRUSH TYPE MOTOR CONTROL
- CLASS D SWITCHMODE AMPLIFIER
- REACTIVE LOADS
- MAGNETIC COILS (MRI)
- ACTIVE MAGNETIC BEARING
- VIBRATION CANCELLING

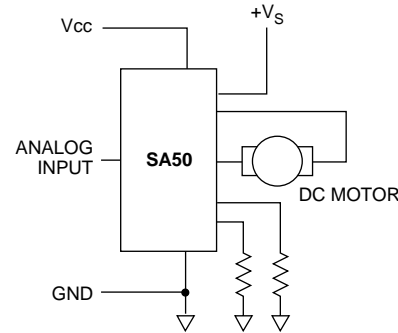
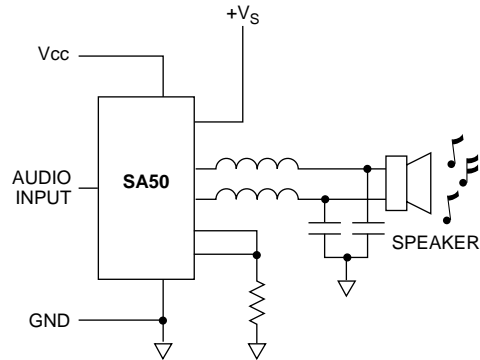
DESCRIPTION

The SA50 is a pulse width modulation amplifier that can supply 5A continuous current to the load. The full bridge amplifier can be operated over a wide range of supply voltages. All of the drive/control circuitry for the lowside and highside switches are internal to the hybrid. The PWM circuitry is internal as well, leaving the user to only provide an analog signal for the motor speed/direction, or audio signal for switchmode audio amplification. The SA50 is packaged in a space efficient isolated 8-pin TO-3 that can be directly connected to a heatsink.

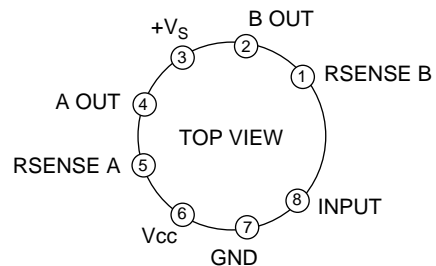
BLOCK DIAGRAM



TYPICAL APPLICATION



EXTERNAL CONNECTIONS



SA50

ABSOLUTE MAXIMUM RATINGS SPECIFICATIONS

ABSOLUTE MAXIMUM RATINGS

SUPPLY VOLTAGE, +V _s	80V
OUTPUT CURRENT, peak	7A
LOGIC SUPPLY VOLTAGE, V _{cc}	16V
POWER DISSIPATION, internal	120W ¹
TEMPERATURE, pin solder - 10s	300°C
TEMPERATURE, junction ³	150°C
TEMPERATURE, storage	-65 to +150°C
OPERATING TEMPERATURE RANGE, case	-65 to +125°C
INPUT VOLTAGE	+1 to V _{cc} - 1.5 V _{dc}

SPECIFICATIONS

PARAMETER	TEST CONDITIONS ²	MIN	TYP	MAX	UNITS
INPUT					
ANALOG INPUT VOLTAGES					
MOTOR A, B = 50% Duty Cycle	V _{cc} = 12V		6		V _{dc}
MOTOR A = 100% Duty Cycle High			8		V _{dc}
MOTOR B = 100% Duty Cycle High			4		V _{dc}
OUTPUT					
V _{ds} (ON) VOLTAGE, each MOSFET	I _{ds} = 5A		1.25	1.8	V _{dc}
TOTAL R _{on} , both MOSFETs			0.5		Ω
EFFICIENCY, 5A OUTPUT	+V _s = 80V		97		%
SWITCHING FREQUENCY		40	45	50	Khz
CURRENT, continuous		5			A
CURRENT, peak	t = 100 msec	7			A
SWITCHING CHARACTERISTICS ⁴					
RISE TIME	+V _s = 28V, V _{cc} = 12V, I _c = 2A		36	54	nS
FALL TIME			170	250	nS
DEAD TIME			100		nS
POWER SUPPLY					
+V _s VOLTAGE	+V _s Current = Load Current			80	V _{dc}
V _{cc} VOLTAGE		9	12	16	V _{dc}
V _{cc} CURRENT	V _{cc} = 12V _{dc}		15	20	mA
THERMAL³					
RESISTANCE, junction to case	Full temp range, for each transistor		2.0		°C/W
RESISTANCE, junction to air	Full temperature range		30		°C/W
TEMPERATURE RANGE, case		-25		+85	°C

- NOTES: 1. Each of the two active output transistors can dissipate 60W.
 2. Unless otherwise noted: T_c = 25°C, V_{cc} = 12V_{dc}.
 3. Long term operation at the maximum junction temperature will result in reduced product life. Derate internal power dissipation to achieve high MTTF. For guidance, refer to the heatsink data sheet.
 4. Guaranteed but not tested.

CAUTION

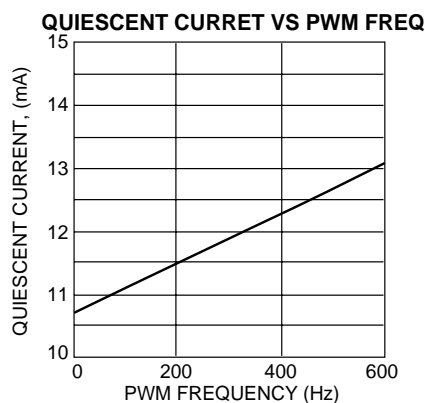
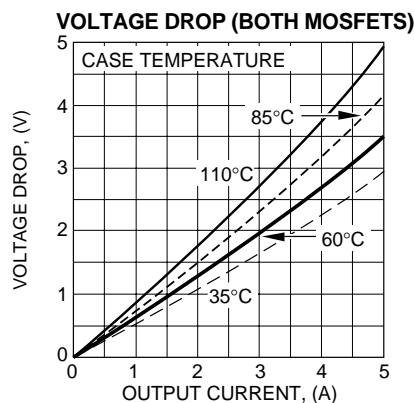
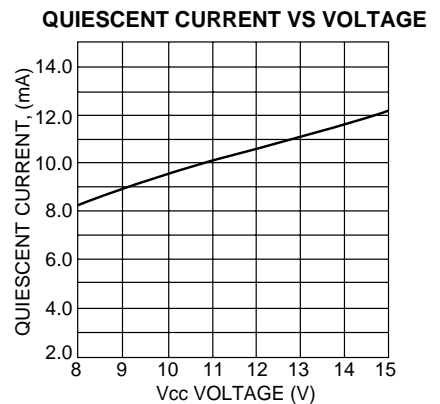
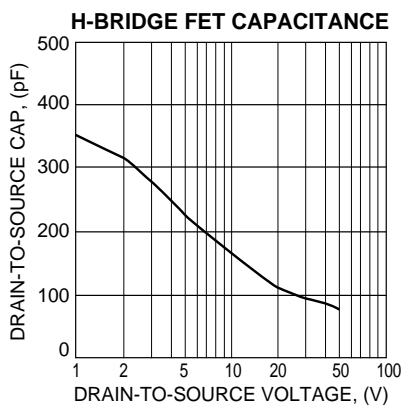
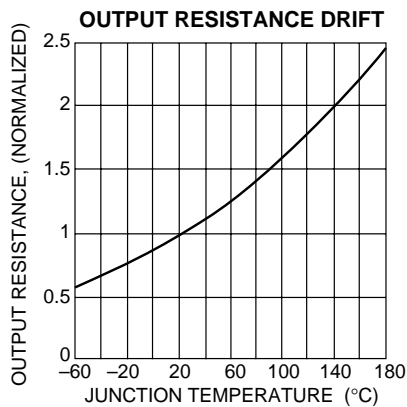
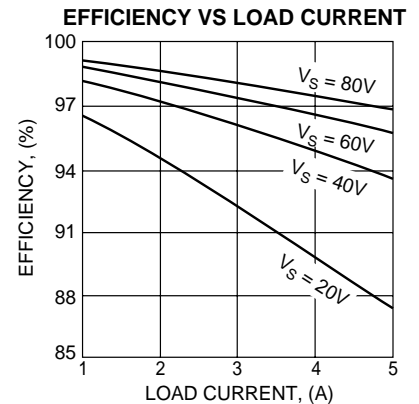
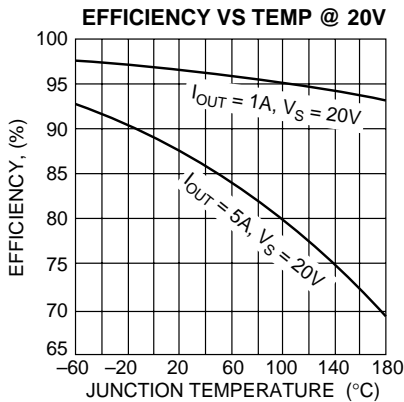
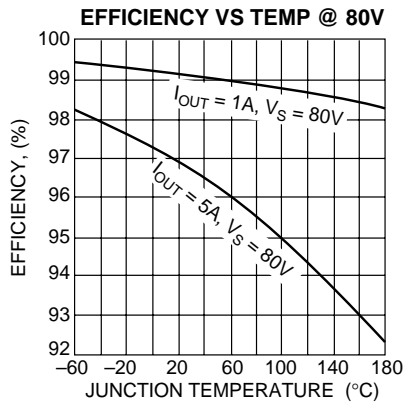
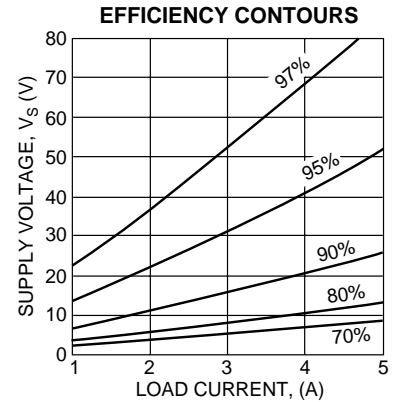
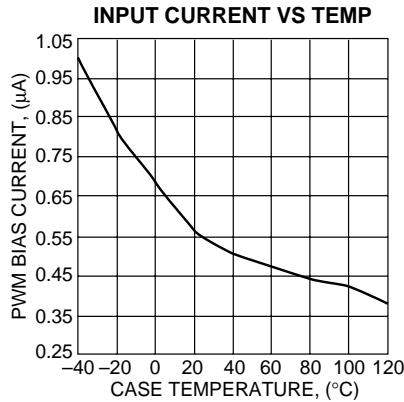
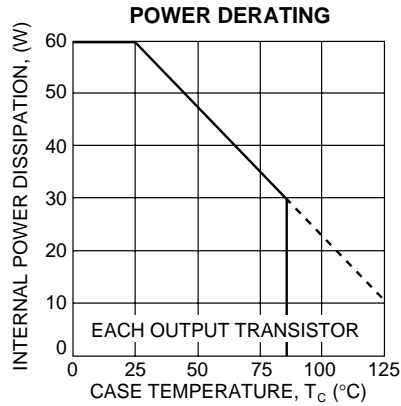
The SA50 is constructed from MOSFET transistors. ESD handling procedures must be observed.

The internal substrate contains beryllia (BeO). Do not break the seal. If accidentally broken, do not crush, machine, or subject to temperatures in excess of 850°C to avoid generating toxic fumes.

WARNING—AMPLIFIER PROTECTION

The SA50 contains an internal logic chip that turns on and turns off output MOSFET drivers at a certain sequence. Noises or oscillation caused by external wiring inductance, lack of proper power supply bypass capacitors, ground, supply and local internal loops, may be fed back to this logic chip and cause it to turn on one or more MOSFET drivers at the wrong

time, thus destroying the SA50. **A well laid out PC board with low impedance copper ground plane is necessary for the SA50 to function properly.** The Apex EK-SA50 evaluation board is recommended for fast and easy breadboarding of circuits using the SA50.



GENERAL

Helpful information about power supplies, heatsinking and mounting can be found in the "General Operating Considerations" section of the Apex data book. For information on the package outline, heatsinks, and mounting hardware see the "Package Outlines" and "Accessories" section of the data book. Also see Application Note 30 on "PWM Basics."

PIN DESCRIPTION

V_{CC} - is the low voltage supply for powering internal logic and drivers for the lowside and highside MOSFETS. The supplies for the highside drivers are derived from this voltage.

V_S - is the higher voltage H-bridge supply. The MOSFETS obtain the output current from this supply pin. The voltage on this pin is limited to +80V by the drive IC. The MOSFETS are rated at 100 volts. Proper by-passing to GND with sufficient capacitance to suppress any voltage transients, and to ensure removing any drooping during switching, should be done as close to the pins on the hybrid as possible.

A OUT - is the output pin for one half of the bridge. Increasing the input voltage causes increasing duty cycle at this output.

B OUT - is the output pin for the other half of the bridge. Decreasing the input voltage causes increasing duty cycles at this point.

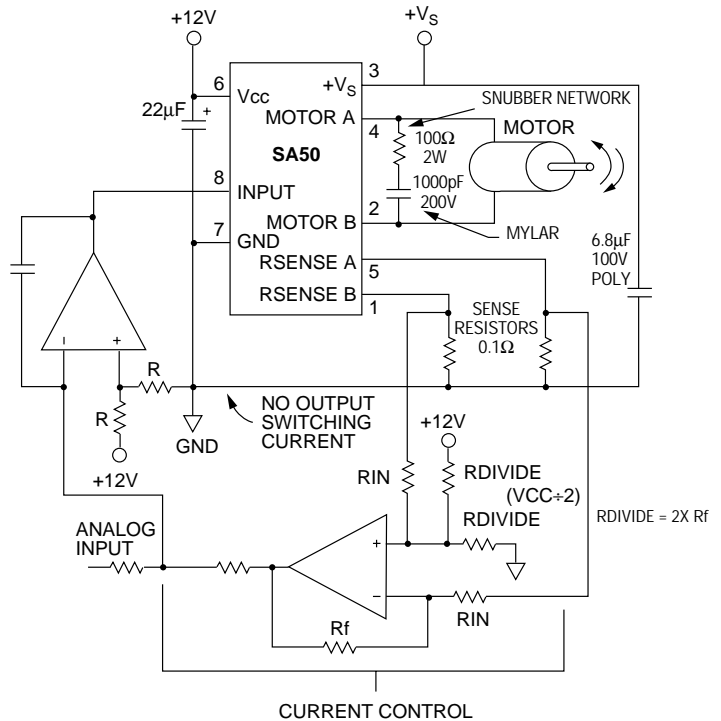
RSENSE A - This is the connection for the bottom of the A half bridge. This can have a sense resistor connected to the V_S return ground for current limit sensing, or can be connected directly to ground. The maximum voltage on this pin is ± 2 volts with respect to GND.

GND - is the return connection for the input logic and V_{CC}.

RESENSE B - This is the connection for the bottom of the B half bridge. This can have a sense resistor connection to the V_S return ground for current limit sensing, or can be connected directly to ground. The maximum voltage on this pin is ± 2 volts with respect to GND.

INPUT - is an analog input for controlling the PWM pulse width of the bridge. A voltage higher than V_{CC}/2 will produce greater than 50% duty cycle pulses out of A OUT. A voltage lower than V_{CC}/2 will produce greater than 50% duty cycle pulses out of B OUT.

TYPICAL SYSTEM OPERATION



This is a diagram of a typical application of the SA50. The design V_{CC} voltage is +12 volts and should have a good low ESR bypass capacitor such as a tantalum electrolytic. The analog input can be an analog speed control voltage from a potentiometer, other analog circuitry or by microprocessor and a D/A converter. This analog input gets pulled by the current control circuitry in the proper direction to reduce the current flow in the bridge if it gets too high. The gain of the current control amplifier will have to be set to obtain the proper amount of current limiting required by the system.

Current sensing is done in this case by a 0.1Ω sense resistor to sense the current from both legs of the bridge separately. It is important to make the high current traces as big as possible to keep inductance down. The storage capacitor connected to the V_S and the hybrid GND should be large enough to provide the high energy pulse without the voltage sagging too far. A low ESR capacitor will be required. Mount capacitor as close to the hybrid as possible. The connection between GND and the V_S return should not be carrying any motor current. The sense resistor signal is common mode filtered as necessary to feed the limiting circuitry. This application will allow full four quadrant torque control for a closed loop servo system.

A snubber network is usually required, due to the inductance in the power loop. It is important to design the snubber network to suppress any positive spikes above +V_S and negative spikes below -2V with respect to pin 7 (GND).