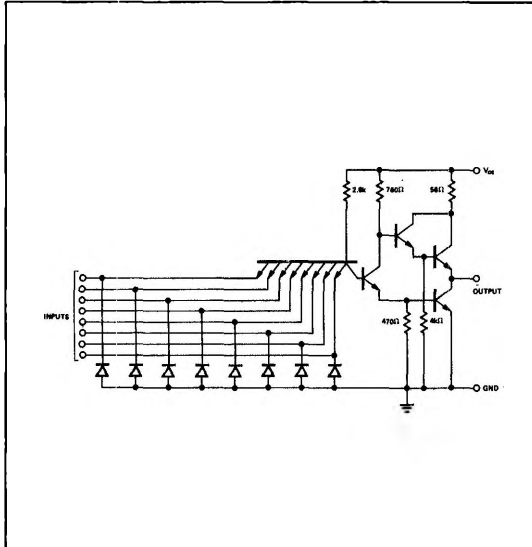


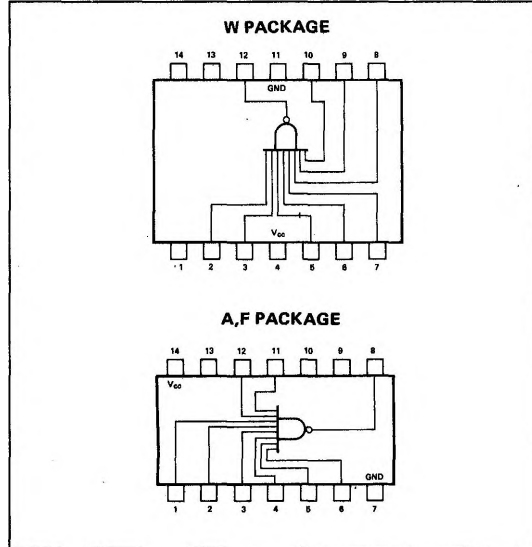
S54H30-A,F,W • N74H30A,F,W

DIGITAL 54/74 TTL SERIES

SCHEMATIC (each gate)



PIN CONFIGURATIONS



RECOMMENDED OPERATING CONDITIONS

	MIN	NOM	MAX	UNIT
Supply Voltage V_{CC} : S54H30 Circuits	4.5	5	5.5	V
N74H30 Circuits	4.75	5	5.25	V
Normalized Fan-Out from each Output, N			10	
Operating Free-Air Temperature Range, T_A : S54H30 Circuits	-65	25	125	°C
N74H30 Circuits	0	25	70	°C

ELECTRICAL CHARACTERISTICS (over recommended operating free-air temperature range unless otherwise noted)

PARAMETER	TEST CONDITIONS*	MIN	TYP**	MAX	UNIT	
$V_{in(1)}$	Logical 1 input voltage required at all input terminals to ensure logical 0 level at output	$V_{CC} = \text{MIN.}$	2		V	
$V_{in(0)}$	Logical 0 input voltage required of any input terminal to ensure logical 1 level at output	$V_{CC} = \text{MIN.}$		0.8	V	
$V_{out(1)}$	Logical 1 output voltage	$V_{CC} = \text{MIN.}$ $I_{load} = -500\mu\text{A}$	$V_{in} = 0.8\text{V.}$	2.4	V	
$V_{out(0)}$	Logical 0 output voltage	$V_{CC} = \text{MIN.}$ $I_{sink} = 20\text{mA}$	$V_{in} = 2\text{V.}$	0.4	V	
$I_{in(0)}$	Logical 0 level input current (each input)	$V_{CC} = \text{MAX.}$	$V_{in} = 0.4\text{V}$	-2	mA	
$I_{in(1)}$	Logical 1 level input current (each input)	$V_{CC} = \text{MAX.}$ $V_{CC} = \text{MAX.}$	$V_{in} = 2.4\text{V}$ $V_{in} = 5.5\text{V}$	50 1	μA mA	
I_{OS}	Short circuit output current†	$V_{CC} = \text{MAX}$		-40	-100	mA
$I_{CC(0)}$	Logical 0 level supply current	$V_{CC} = \text{MAX.}$	$V_{in} = 4.5\text{V}$	6.5	10	mA
$I_{CC(1)}$	Logical 1 level supply current	$V_{CC} = \text{MAX.}$	$V_{in} = 0$	2.5	4.2	mA

DIGITAL 54/74 TTL SERIES ■ S54H30, N74H30

SWITCHING CHARACTERISTICS, $V_{CC} = 5V$, $T_A = 25^\circ C$, $N = 10$

PARAMETER		TEST CONDITIONS		MIN	TYP**	MAX	UNIT
t_{pd0}	Propagation delay time to logical 0 level	$C_L = 25pF$,	$R_L = 280\Omega$		8.9	12	ns
t_{pd1}	Propagation delay time to logical 1 level	$C_L = 25pF$,	$R_L = 280\Omega$		6.8	10	ns

* For conditions shown as MIN or MAX, use the appropriate value specified under recommended operating conditions for the applicable device type.

** All typical values at: $V_{CC} = 5V$, $T_A = 25^\circ C$.

† Duration of short circuit test should not exceed 1 second.