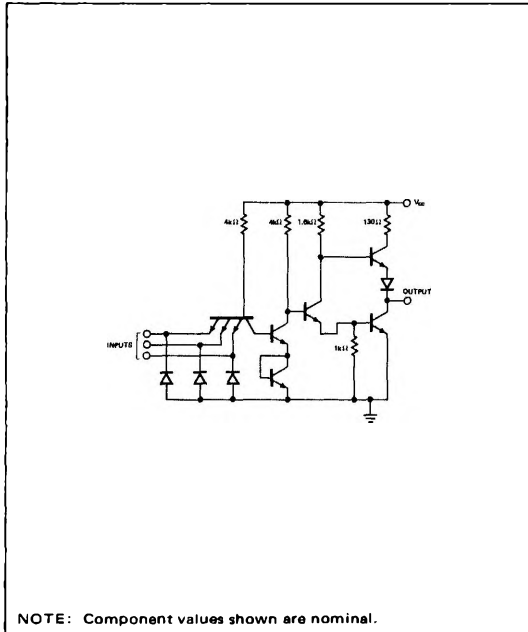


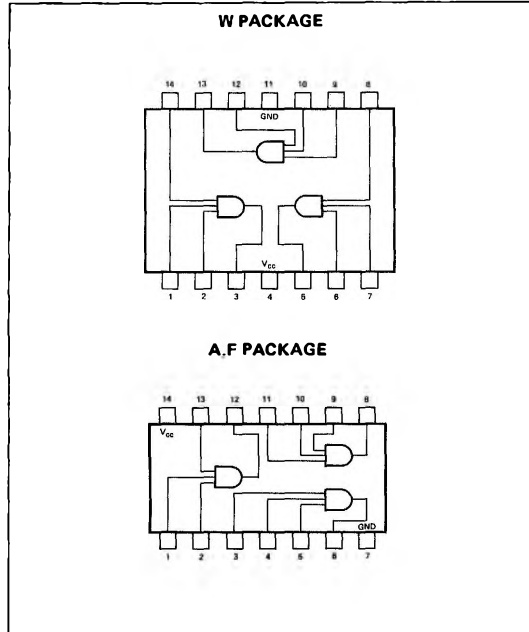
S5411-A,F,W • N7411-A,F

DIGITAL 54/74 TTL SERIES

SCHEMATIC DIAGRAM



PIN CONFIGURATIONS



RECOMMENDED OPERATING CONDITIONS

	MIN	NOM	MAX	UNIT
Supply Voltage V_{CC} : S5411 Circuits	4.5	5	5.5	V
N7411 Circuits	4.75	5	5.25	V
Normalized Fan-Out from Output, N			10	
Operating Free-Air Temperature Range, T_A : S5411 Circuits	-55	25	125	$^{\circ}$ C
N7411 Circuits	0	25	70	$^{\circ}$ C

ELECTRICAL CHARACTERISTICS (over recommended operating free-air temperature range unless otherwise noted)

PARAMETER		TEST CONDITIONS*		MIN	TYP**	MAX	UNIT
$V_{in(1)}$	Logical 1 input voltage required at all input terminals to ensure logical 1 level at output	$V_{CC} = \text{MIN}$		2			V
$V_{in(0)}$	Logical 0 input voltage required at any input terminal to ensure logical 0 level at output	$V_{CC} = \text{MIN}$				0.8	V
$V_{out(1)}$	Logical 1 output voltage	$V_{CC} = \text{MIN}$ $I_{load} = -800\mu\text{A}$	$V_{in} = 2.0\text{V}$,	2.4	3.3		V
$V_{out(0)}$	Logical 0 output voltage	$V_{CC} = \text{MIN}$ $I_{sink} = 16\text{mA}$	$V_{in} = 0.8\text{V}$,		0.22	0.4	V
$I_{in(0)}$	Logical 0 level input current (each input)	$V_{CC} = \text{MAX}$	$V_{in} = 0.4\text{V}$			-1.6	mA
$I_{in(1)}$	Logical 1 level input current (each input)	$V_{CC} = \text{MAX}$ $V_{CC} = \text{MAX}$	$V_{in} = 2.4\text{V}$ $V_{in} = 5.5\text{V}$			40 1	μA mA
I_{OS}	Short circuit output current†	$V_{CC} = \text{MAX}$		S5411 N7411	-20 -18	-55 -55	mA

ELECTRICAL CHARACTERISTICS (Cont'd)

PARAMETER		TEST CONDITIONS*		MIN	TYP**	MAX	UNIT
$I_{CC(1)}$	Logical 1 level supply current	$V_{CC} = \text{MAX}$,	$V_{in} = 5V$		7.5	12	mA
$I_{CC(0)}$	Logical 0 level supply current	$V_{CC} = \text{MAX}$,	$V_{in} = 0$		13.5	20	mA

SWITCHING CHARACTERISTICS, $V_{CC} = 5V$, $T_A = 25^\circ C$, $N = 10$

PARAMETER		TEST CONDITIONS		MIN	TYP	MAX	UNIT
t_{pd0}	Propagation delay time to logical 0 level	$C_L = 15pF$,	$R_L = 400\Omega$		12	19	ns
t_{pd1}	Propagation delay time to logical 1 level	$C_L = 15pF$,	$R_L = 400\Omega$		17.5	27	ns

* For conditions shown as MIN or MAX, use the appropriate value specified under recommended operating conditions for the applicable device type.

** All typical values are at $V_{CC} = 5V$, $T_A = 25^\circ C$

† Not more than one output should be shorted at a time.