

**Features**

- Single Device: 40ADC
- +5V Input
- 5-bit Programmable: 1.3V to 3.5V
- 90% Efficiency
- Differential Remote Sense
- Short-Circuit Protection
- Space-Saving Package
- Solderable Copper Case
- “Current Booster” Compatible
- Shutdown Control

**Description**

The PT7761 is a high performance integrated switching regulator (ISR), housed in a solderable, 31-pin space-saving copper package. Operating from an input voltage of +5V, the PT7761 provides up to 40A of low-voltage power for the industry’s latest DSPs, and  $\mu$ -Processors.

The PT7761 performance extends both the flexibility and output current range of the “Big Hammer” series of Plug-in Power modules, and provides a state-of-the-art solution for highly integrated digital systems that de-

mand high power supply currents at low output voltages.

The PT7761 is programmable from 1.3V to 3.5V via a 5-bit input, which is compatible with Intel’s Pentium® series microprocessors.

The PT7761’s features include a momentary-interrupt style of short-circuit protection, a standby control, and a differential remote sense to compensate for voltage drop between the ISR and load. For additional output current the PT7761 can operate with up to three current boosters.

**Ordering Information**

- PT7761□ = 1.3 to 3.5V Regulator
- \* PT7769□ = 40-A Current Booster

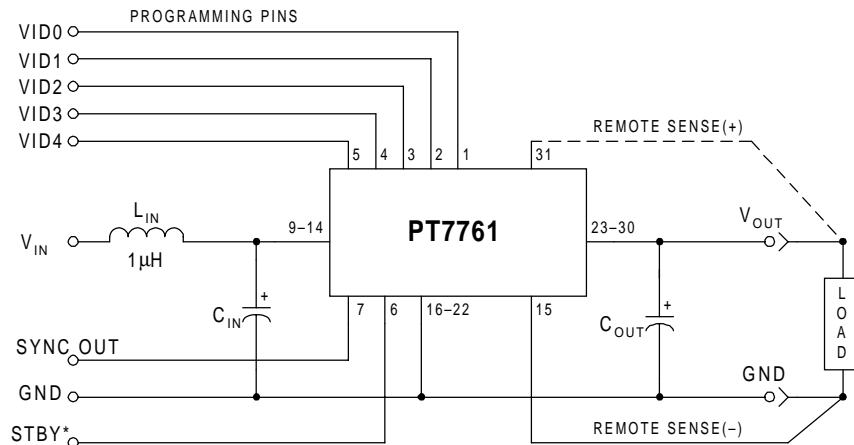
*\* Consult application notes for information on Current Booster operation*

**PT Series Suffix (PT1234 x)**

Case/Pin Configuration	Order Suffix	Package Code
Vertical	N	(EKH)
Horizontal	A	(EKF)
SMD	C	(EKG)

*(Reference the applicable package code drawing for the dimensions and PC board layout)*

**Standard Application**



C<sub>in</sub> = Required 1500µF electrolytic  
 C<sub>out</sub> = Required 330µF electrolytic  
 L<sub>in</sub> = Optional 1µH input choke

Programming Information

VID3	VID2	VID1	VID0	VID4=1 Vout	VID4=0 Vout
1	1	1	1	2.0V	1.30V
1	1	1	0	2.1V	1.35V
1	1	0	1	2.2V	1.40V
1	1	0	0	2.3V	1.45V
1	0	1	1	2.4V	1.50V
1	0	1	0	2.5V	1.55V
1	0	0	1	2.6V	1.60V
1	0	0	0	2.7V	1.65V
0	1	1	1	2.8V	1.70V
0	1	1	0	2.9V	1.75V
0	1	0	1	3.0V	1.80V
0	1	0	0	3.1V	1.85V
0	0	1	1	3.2V	1.90V
0	0	1	0	3.3V	1.95V
0	0	0	1	3.4V	2.00V
0	0	0	0	3.5V	2.05V

Logic 0 = Pin 15 potential (Remote Sense GND)

Logic 1 = Open circuit (no pull-up resistors)

VID3 and VID4 may not be changed while the unit is operating.

Pin-Out Information

Pin	Function	Pin	Function	Pin	Function
1	VID0	11	V <sub>in</sub>	21	GND
2	VID1	12	V <sub>in</sub>	22	GND
3	VID2	13	V <sub>in</sub>	23	V <sub>out</sub>
4	VID3	14	V <sub>in</sub>	24	V <sub>out</sub>
5	VID4	15	Rem Sense GND <sup>2</sup>	25	V <sub>out</sub>
6	STBY*	16	GND	26	V <sub>out</sub>
7	Sync	17	GND	27	V <sub>out</sub>
8	No Connect	18	GND	28	V <sub>out</sub>
9	V <sub>in</sub>	19	GND	29	V <sub>out</sub>
10	V <sub>in</sub>	20	GND	30	V <sub>out</sub>
				31	Rem Sense V <sub>out</sub>

\* For STBY\* pin:

Open =Output Enabled

Ground =Output Disabled

Specifications (Unless otherwise stated, T<sub>a</sub> =25°C, C<sub>in</sub> =1,500µF, C<sub>out</sub> =330µF, V<sub>in</sub> =5V, V<sub>o</sub> =3.3V, & I<sub>o</sub> =I<sub>o,max</sub>)

Characteristics	Symbols	Conditions	PT7761			Units	
			Min	Typ	Max		
Output Current	I <sub>o</sub>	T <sub>a</sub> =25°C, Natural convection T <sub>a</sub> =60°C, 200LFM, Pkg N	0.1 <sup>(1)</sup> 0.1 <sup>(1)</sup>	— —	40 38	A	
Input Voltage Range	V <sub>in</sub>	Over I <sub>o</sub> range	4.5	—	5.5	V	
Set-Point Voltage Tolerance	V <sub>o,tol</sub>	All output voltages	—	—	±25 <sup>(2)</sup>	mV	
Temperature Variation	ΔReg <sub>temp</sub>	-40°C ≤ T <sub>a</sub> ≤ 85°C, I <sub>o</sub> =I <sub>o,min</sub>	—	±0.75	—	%V <sub>o</sub>	
Line Regulation	ΔReg <sub>line</sub>	Over V <sub>in</sub> range	—	±5	—	mV	
Load Regulation	ΔReg <sub>load</sub>	Over load range	—	±5	—	mV	
Total Output Variation	ΔV <sub>o,tol</sub>	Includes set-point, line, load, -40°C ≤ T <sub>a</sub> ≤ +85°C	—	±1	±3	%V <sub>o</sub>	
Efficiency	η	I <sub>o</sub> =20A	V <sub>o</sub> = 3.3V	—	90	—	%
			V <sub>o</sub> = 2.5V	—	89		
		I <sub>o</sub> =40A	V <sub>o</sub> = 3.3V	—	86	—	%
			V <sub>o</sub> = 2.5V	—	85		
			V <sub>o</sub> = 1.8V	—	83	—	—
V <sub>o</sub> Ripple (pk-pk)	V <sub>r</sub>	20MHz bandwidth	—	50	—	mV	
Transient Response	t <sub>tr</sub>	1A/µs load step from 50% to 100% I <sub>o,max</sub>	—	50	—	µSec	
	ΔV <sub>tr</sub>	V <sub>o</sub> over/undershoot	—	100	—	mV	
Short Circuit Threshold	I <sub>sc(pk)</sub>	Reset and auto-recovery	—	75	—	A	
Switching Frequency	f <sub>s</sub>	Over V <sub>in</sub> and I <sub>o</sub> ranges	300	350	400	kHz	
Standby Control (pin 6)	V <sub>IH</sub>	Referenced to GND (pins 16–22)	2	—	Open <sup>(3)</sup>	V	
	V <sub>IL</sub>		-0.2	—	0.8		
Input High Voltage	V <sub>IH</sub>	Pin 6 to GND	—	0.4	—	mA	
Input Low Voltage	V <sub>IL</sub>		—	0.4	—		
Input Low Current	I <sub>IL</sub>	Pin 6 to GND	—	30	—	mA	
Quiescent Current	I <sub>in, stby</sub>	Pin 6 to GND	—	30	—	mA	
External Output Capacitance	C <sub>out</sub>	Between +V <sub>o</sub> and GND	330	—	30,000	µF	
Operating Temperature Range	T <sub>a</sub>	Over V <sub>in</sub> Range	-40 <sup>(4)</sup>	—	+85 <sup>(5)</sup>	°C	
Storage Temperature	T <sub>s</sub>	—	-40	—	+125	°C	
Mechanical Shock		Mil-STD-883D, Method 2002.3 1 msec, Half Sine, mounted to a fixture	—	TBD	—	G's	
Mechanical Vibration		Vertical	—	TBD <sup>(6)</sup>	—	G's	
		Horizontal	—	TBD <sup>(6)</sup>	—		
Weight	—	Vertical/Horizontal	—	55	—	grams	
Flammability	—	Materials meet UL 94V-0	—	—	—	—	

Notes: (1) ISR-will operate down to no load with reduced specifications.

(2) If the Remote Sense Ground (Pin 15) is not used, it must be connected to pin 16 for optimum output voltage accuracy.

(3) The Standby control (pin 6) has an internal pull-up, and if left open-circuit the module will operate when input power is applied.

(4) For operation below 0°C, C<sub>in</sub> and C<sub>out</sub> must have stable characteristics. Use either low ESR tantalum or Oscon® capacitors.

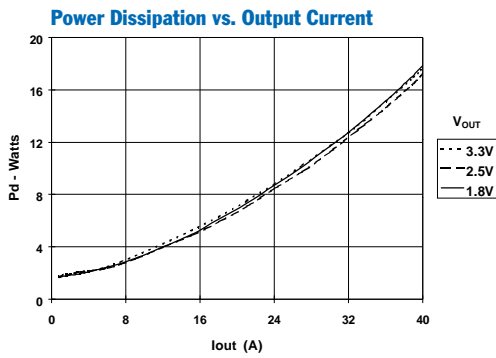
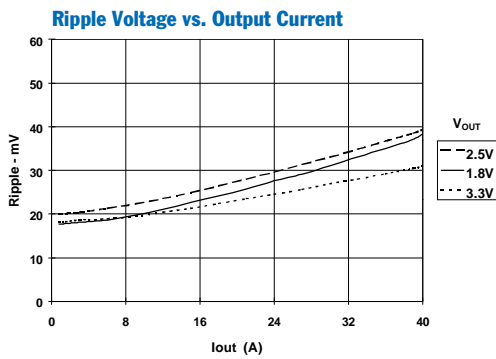
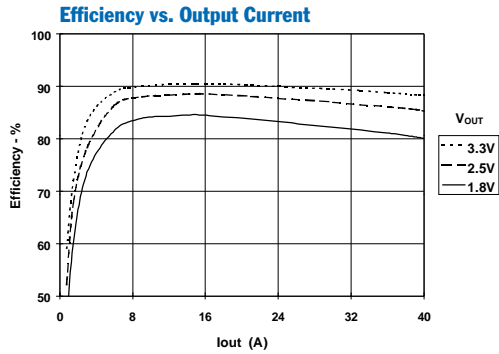
(5) See safe Operating Area curves or consult factory for the appropriate derating.

(6) The case pins on the through-hole package types (suffixes N & A) must be soldered. For more information see the applicable package outline drawing.

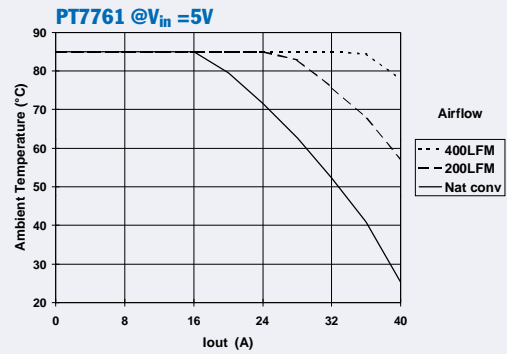
**External Capacitors:** The PT7761 series requires a minimum output capacitance of 330µF for proper operation. The PT7761 also requires a minimum input capacitance of 1,500µF, which must be rated for a minimum of 1.4Arms of ripple current. For transient or dynamic load applications, additional capacitance may be required. For further information refer to the application note regarding capacitor selection for this product.

**Input Inductor:** An input inductor is optional for most applications. The input inductor must be sized to handle 30ADC with a typical value of 1µH.

**Characteristic Data,  $V_{IN} = 5VDC$**  (See Note A)



**Safe Operating Area Curves** (See Note B)



**Note A:** Characteristic data in the above graphs has been developed from actual products tested at 25°C. This data is considered typical for the ISR.  
**Note B:** SOA curves represent conditions at which internal components are at or below manufacturer's maximum operating temperatures.

## Increasing the PT7761 Output Current with the PT7769 Compatible Current Booster

The PT7769 is a 40-A “Current Booster” module for the PT7761 regulator. The booster is controlled directly by the regulator, and effectively adds a parallel output stage. This allows the system to run synchronously, providing a low noise solution. Up to three booster modules can be connected to a single regulator. Each booster increases the available output current by 40A. Combinations of a regulator and booster modules can supply power for virtually any multi-processor application.

A current booster is not a stand-alone product, and can only operate with a regulator. It is housed in the same package as its compatible regulator, and shares the same mechanical outline. Except for an increase in output current, the overall performance of a PT7761/booster combination is identical to that of a stand-alone regulator. Refer to the appropriate data sheet for the performance specifications.

### Notes:

- Each booster requires the same amount of input and output capacitance as recommended for a stand-alone regulator. See the Standard Application schematic and the respective input/output filter notes in the PT7761

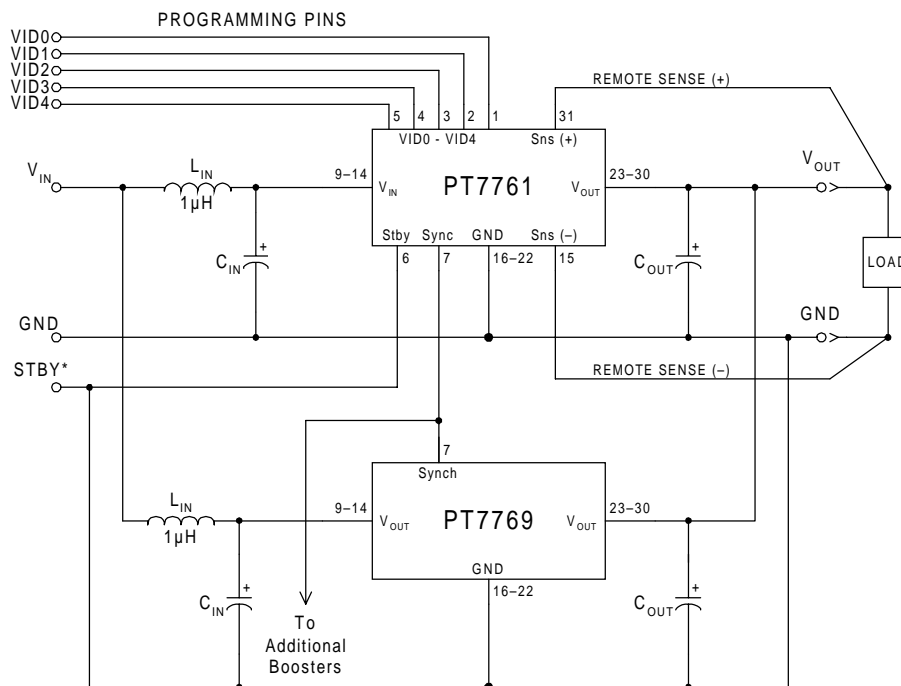
product data sheet. Recommendations on specific capacitor types are also detailed in the application note, “Capacitor Recommendations for the PT7761 Integrated Switching Regulator.”

- The 1- $\mu\text{H}$  filter choke located at the input of each regulator and booster module ( $L_{in}$ ) is optional for most applications. If specified, each inductor must be sized to handle 30ADC at full output load.
- The pin-out of the current booster modules include a number pins identified, “No Connect” (see Table 1). These pins are not connected internally to the module but must be soldered to a pad to preserve the unit’s mechanical integrity.
- A similar PCB footprint and trace layout between the regulator and each booster will facilitate current sharing between all modules.

**Table 1; PT7769 Pin-Out Information**

Pin	Function	Pin	Function	Pin	Function
1	No Connect	11	V <sub>in</sub>	21	GND
2	No Connect	12	V <sub>in</sub>	22	GND
3	No Connect	13	V <sub>in</sub>	23	V <sub>out</sub>
4	No Connect	14	V <sub>in</sub>	24	V <sub>out</sub>
5	No Connect	15	No Connect	25	V <sub>out</sub>
6	No Connect	16	GND	26	V <sub>out</sub>
7	Sync	17	GND	27	V <sub>out</sub>
8	No Connect	18	GND	28	V <sub>out</sub>
9	V <sub>in</sub>	19	GND	29	V <sub>out</sub>
10	V <sub>in</sub>	20	GND	30	V <sub>out</sub>
				31	No Connect

### Current Booster Application Schematic



## Capacitor Recommendations for the PT7761 Integrated Switching Regulator

### Input Capacitors

The recommended input capacitance is determined by 1.4 ampere minimum ripple current rating and 1500µF minimum capacitance. Capacitors listed below must be rated for a minimum of 2x the input voltage with +5V operation. Ripple current and  $\leq 100\text{m}\Omega$  Equivalent Series Resistance (ESR) values are the major considerations along with temperature when selecting the proper capacitor.

### Output Capacitors

The minimum required output capacitance is 330µF with a maximum ESR less than or equal to 100mΩ. Failure to observe this requirement may lead to regulator instability or oscillation. Electrolytic capacitors have poor ripple performance at frequencies greater than 400kHz, but excellent low frequency transient response. Above the ripple frequency ceramic decoupling capacitors are necessary to improve the transient response and reduce any microprocessor high frequency noise components apparent during higher current excursions. Preferred low ESR type capacitor part numbers are identified in the Table 1 below.

### Tantalum Characteristics

Tantalum capacitors with a minimum 10V rating are recommended on the output bus, but only the AVX TPS series, Sprague 594/595 series, or Kemet T495/T510 series. These AVX, Sprague, and Kemet capacitors are specified over other types due to their higher surge current, excellent power dissipation, and ripple current ratings. As a caution, the TAJ series by AVX is not recommended. This series exhibits considerably higher ESR, reduced power dissipation and lower ripple current capability. The TAJ series is also less reliable than the TPS series when determining power dissipation capability.

### Capacitor Table

Table 1 identifies the characteristics of capacitors from a number of vendors with acceptable ESR and ripple current (rms) ratings. The suggested minimum quantities per regulator for both the input and output buses are identified.

*This is not an extensive capacitor list. The table below is a selection guide for input and output capacitors. Other capacitor vendors are available with comparable RMS ripple current rating and ESR (Equivalent Series Resistance at 100kHz). These critical parameters are necessary to insure both optimum regulator performance and long capacitor life.*

**Table 1 Capacitors Characteristic Data**

Capacitor Vendor/ Series	Capacitor Characteristics					Quantity		Vendor Number
	Working Voltage	Value(µF)	(ESR) Equivalent Series Resistance	105°C Maximum Ripple Current(Irms)	Physical Size(mm)	Input Bus	Output Bus	
Panasonic FC Surface Mtg FA	16V	2200	0.038Ω	2000mA	18x16.5	1	1	EEVFC1C222N EEVFC1V331LQ
	35V	330	0.065Ω	1205mA	12.5x16.5	1	1	
	10V 16V	680 1800	0.090Ω 0.032Ω	755mA 2000mA	10x12.5 18x15	1	1	EEUFA1A681 EEUFA1C182A
United Chemi -Con LFVSeries	25V	330	0.084Ω	825mA	10x16	1	1	LXV25VB331M10X16LL LXV16VB222M16X20LL LXV16VB471M10X16LL
	16V	2200	0.038Ω	1630mA	16x20		1	
	16V	470	0.084Ω±2 =0.042Ω	825mA x2	10x16		1	
Nichicon PL Series PM Series	10V	680	0.090Ω	770mA	10x15	1	1	UPL1A681MHH6 UPL1A182MHH6 UPL1E331MPH6
	10V	1800	0.044Ω	1420mA	16x15		1	
	25V	330	0.095Ω	750mA	10x15		1	
Oscon SS SV	10V	330	0.025Ω±4 =0.006Ω	>9800mA	10x10.5	4	N/R	10SS330M 10SV330M (Surface Mount)
	10V	330	0.02Ω±4 =0.005Ω	>9800mA	10.3x12.6	4	(Note)	
AVX Tantalum TPS- Series	10V	330	0.1Ω±5 =0.02Ω	3500mA	7.3Lx	5	1	TPSV337M010R0100 TPSV337M010R0060
	10V	330	0.06Ω	1826mA	4.3Wx 4.1H	5	1	
Sprague Tantalum 595D/594D	10V	330	0.045Ω±4 =0.011Ω	>4500mA	7.3L x	5	1	594D337X0010R2T 595D687X0010R2T (Surface Mount)
	10V	680	0.09Ω	>1660mA	5.7W x 4.0H	2	1	
Kemet Tantalum T510/T495 Series	10V	330	0.035Ω	2000mA	4.3Wx7.3L x4.0H	5	1	510X337M010AS
	10V	220	0.07Ω±2 =0.035Ω	>2000mA		6	2	T495X227M010AS (Surface Mount)
Sanyo Poscap TPB	10V	220	0.04Ω	3000mA	7.2L x 4.3W x 3.1H	6	2	10TPB220M (Surface Mount)

**Note:** (N/R) is not recommended for this application, due to extremely low Equivalent Series Resistance (ESR)

## Using the Standby Function on the PT7761 Excalibur™ Integrated Switching Regulator

For applications requiring output voltage On/Off control, the PT7761 integrated switching regulator (ISR) module incorporates a standby function. This feature may be used for power-up/shutdown sequencing, and to change the output voltage while input power is applied. *See related application notes:* “Pin-Coded Output Voltage Adjustment of PT7761 Excalibur ISRs.”

The standby function is provided by the *STBY\** control, pin 6. If pin 6 is left open-circuit the regulator operates normally, providing a regulated output whenever a valid supply voltage is applied to  $V_{in}$  (pins 9–14) with respect to GND (pins 16–22). Connecting pin 6 to ground<sup>1</sup> will set the regulator output to zero volts<sup>2</sup>. This places the regulator in standby mode, and reduces the input current to typically 30mA (60mA max). If a ground signal is applied to pin 6 prior to power-up, the regulator output will be held at zero volts during the period that input power is applied.

The standby input must be controlled with an open-collector (or open-drain) discrete transistor (See Figure 1). Table 1 gives the threshold requirements.

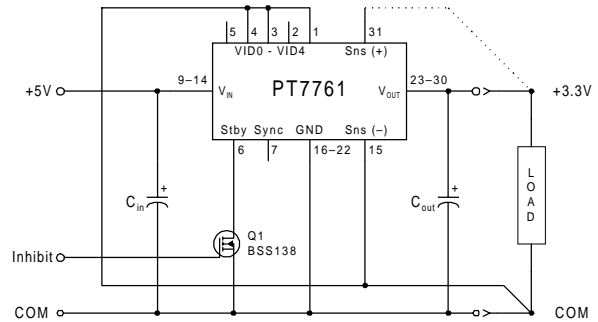
**Table 1 Standby Control Input Requirements<sup>(1)</sup>**

Parameter	Min	Typ	Max
Enable	2V		Open Cct. 1
Disable	-0.2V		0.8V
$I_{stby}$			0.4mA
$V_{stby} (o/c)$		$V_{in}$	

**Notes:**

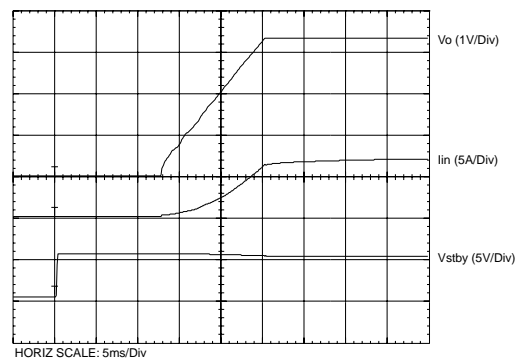
1. The Standby input on the PT7761 regulator must be controlled using an open-collector (or open-drain) discrete transistor. *Do Not* use a pull-up resistor. The control input has an open-circuit voltage equal to  $V_{in}$ . To set the regulator output to zero, the control pin must be “pulled” to less than 0.8Vdc with a 0.5mA sink to ground.
2. When placed in the standby mode, the regulator output discharges the output capacitance with a low impedance to ground.
3. The turn-off time of  $Q_1$ , or rise time of the standby input is not critical for the PT7761. Turning  $Q_1$  off slowly, over periods up to 100ms, will not affect regulator operation. However, a slow turn-off time will increase both the initial delay and rise-time of the output voltage.

**Figure 1**



**Turn-On Time:** Turning  $Q_1$  in Figure 1 off, removes the low-voltage signal at pin 6 and enables the output. Following a brief delay of approximately 10ms<sup>3</sup>, the output voltage of the PT7761 series regulators rise to full regulation within 15ms<sup>3</sup>. Figure 2 shows the typical output voltage waveform of the PT7761 following the prompt turn-off of  $Q_1$  at time  $t=0$  secs. The output voltage in Figure 1 is set to 3.3V by connecting VID0 (pin 1), VID2 (pin 3), and VID3 (pin 4) to the Rem Sense GND (pin 15)\*. The waveform in Figure 2 was measured with a +5V input source voltage, and 10A resistive load.

**Figure 2**



\* Consult the data sheet for details on other VID codes.

## Pin-Coded Output Voltage Adjustment of PT7761 “Excalibur™” ISRs

The PT7761 Excalibur power module incorporates a pin-coded output voltage control. These regulators include five control pins, identified VID0-VID4 (pins 1-5) respectively. By selectively grounding VID0-VID4, the output voltage of this regulator can be programmed in incremental steps over the output voltage range, 1.3V to 3.5V. The program code and voltage range is designed to be compatible with the “Voltage ID” specification defined for popular microprocessors. Refer to Figure 1 for the connection schematic, and the applicable data sheet for the program code.

### Notes:

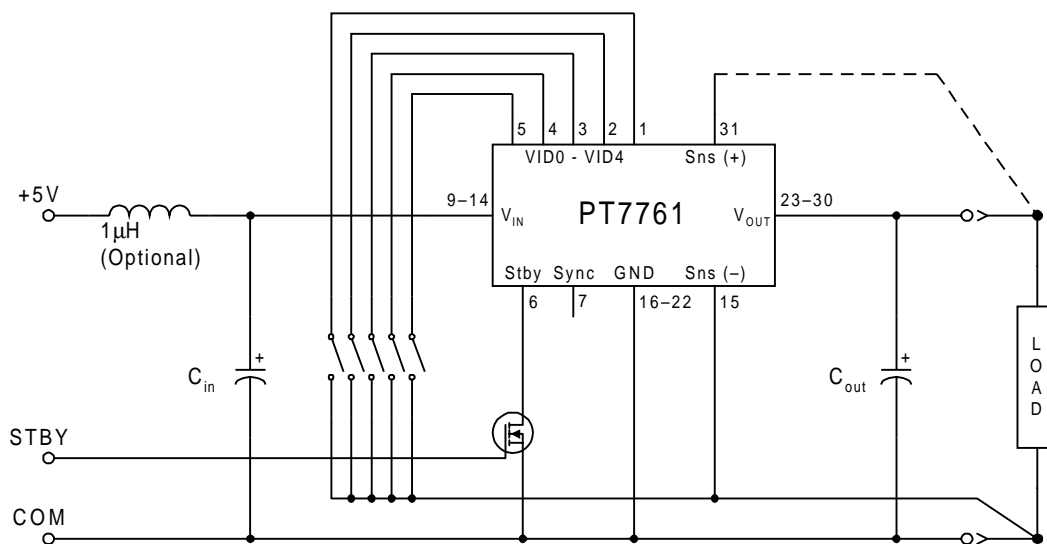
- The programming convention is as follows:-
  - Logic 0: Connect to pin15 (Remote Sense Ground).
  - Logic 1: Open circuit/open drain (See notes 2, & 4)
- Do not connect pull-up resistors to the voltage programming pins.
- Use pin 15 (Rem Sense Gnd) as the logic “0” reference. While the regular ground (pins 16-22) can also be used for programming, doing so will degrade the load regulation of the product. If the remote sense ground is not used, pin 15 must be connected to pin 16 for optimum output voltage accuracy.

- If active devices are used to ground the voltage control pins, low-level open drain MOSFET devices should be used over bipolar transistors. The inherent  $V_{ce(sat)}$  in bipolar devices introduces errors in the device’s internal voltage control circuit. Discrete transistors such as the BSS138, 2N7002, IRLML2402, are examples of appropriate devices.

### Active Voltage Programming:

Special precautions should be taken when making changes to the voltage control program code while the unit is powered. It is highly recommended that the ISR be either powered down or held in standby. Changes made to the program code while  $V_{out}$  is enabled induces high current transients through the device. This is the result of the electrolytic output capacitors being either charged or discharged to the new output voltage set-point. The transient current can be minimized by making only incremental changes to the binary code, i.e. one LSB at a time. A minimum of 100 $\mu$ s settling time between each program state is also recommended. Making non-incremental changes to VID3 and VID4 with the output enabled is discouraged. If they are changed, the transients induced can overstress the device. If the program code cannot be asserted prior to power-up, pull pin 6 (STBY) to GND during the period that the input voltage is applied. The release of pin 6 will then to allow the device to initiate a soft-start power-up to the program voltage.

Figure 1





**PACKAGING INFORMATION**

Orderable Device	Status <sup>(1)</sup>	Package Type	Package Drawing	Pins	Package Qty	Eco Plan <sup>(2)</sup>	Lead/Ball Finish	MSL Peak Temp <sup>(3)</sup>
PT7761A	NRND	SIP MOD ULE	EKF	31	6	TBD	Call TI	Level-1-215C-UNLIM
PT7761N	NRND	SIP MOD ULE	EKH	31	6	TBD	Call TI	Level-1-215C-UNLIM
PT7769A	NRND	SIP MOD ULE	EKF	31		TBD	Call TI	Call TI
PT7769C	NRND	SIP MOD ULE	EKG	31		TBD	Call TI	Call TI
PT7769N	NRND	SIP MOD ULE	EKH	31	6	TBD	Call TI	Level-1-215C-UNLIM

<sup>(1)</sup> The marketing status values are defined as follows:

**ACTIVE:** Product device recommended for new designs.

**LIFEBUY:** TI has announced that the device will be discontinued, and a lifetime-buy period is in effect.

**NRND:** Not recommended for new designs. Device is in production to support existing customers, but TI does not recommend using this part in a new design.

**PREVIEW:** Device has been announced but is not in production. Samples may or may not be available.

**OBSOLETE:** TI has discontinued the production of the device.

<sup>(2)</sup> Eco Plan - The planned eco-friendly classification: Pb-Free (RoHS), Pb-Free (RoHS Exempt), or Green (RoHS & no Sb/Br) - please check <http://www.ti.com/productcontent> for the latest availability information and additional product content details.

**TBD:** The Pb-Free/Green conversion plan has not been defined.

**Pb-Free (RoHS):** TI's terms "Lead-Free" or "Pb-Free" mean semiconductor products that are compatible with the current RoHS requirements for all 6 substances, including the requirement that lead not exceed 0.1% by weight in homogeneous materials. Where designed to be soldered at high temperatures, TI Pb-Free products are suitable for use in specified lead-free processes.

**Pb-Free (RoHS Exempt):** This component has a RoHS exemption for either 1) lead-based flip-chip solder bumps used between the die and package, or 2) lead-based die adhesive used between the die and leadframe. The component is otherwise considered Pb-Free (RoHS compatible) as defined above.

**Green (RoHS & no Sb/Br):** TI defines "Green" to mean Pb-Free (RoHS compatible), and free of Bromine (Br) and Antimony (Sb) based flame retardants (Br or Sb do not exceed 0.1% by weight in homogeneous material)

<sup>(3)</sup> MSL, Peak Temp. -- The Moisture Sensitivity Level rating according to the JEDEC industry standard classifications, and peak solder temperature.

**Important Information and Disclaimer:**The information provided on this page represents TI's knowledge and belief as of the date that it is provided. TI bases its knowledge and belief on information provided by third parties, and makes no representation or warranty as to the accuracy of such information. Efforts are underway to better integrate information from third parties. TI has taken and continues to take reasonable steps to provide representative and accurate information but may not have conducted destructive testing or chemical analysis on incoming materials and chemicals. TI and TI suppliers consider certain information to be proprietary, and thus CAS numbers and other limited information may not be available for release.

In no event shall TI's liability arising out of such information exceed the total purchase price of the TI part(s) at issue in this document sold by TI to Customer on an annual basis.



## IMPORTANT NOTICE

Texas Instruments Incorporated and its subsidiaries (TI) reserve the right to make corrections, modifications, enhancements, improvements, and other changes to its products and services at any time and to discontinue any product or service without notice. Customers should obtain the latest relevant information before placing orders and should verify that such information is current and complete. All products are sold subject to TI's terms and conditions of sale supplied at the time of order acknowledgment.

TI warrants performance of its hardware products to the specifications applicable at the time of sale in accordance with TI's standard warranty. Testing and other quality control techniques are used to the extent TI deems necessary to support this warranty. Except where mandated by government requirements, testing of all parameters of each product is not necessarily performed.

TI assumes no liability for applications assistance or customer product design. Customers are responsible for their products and applications using TI components. To minimize the risks associated with customer products and applications, customers should provide adequate design and operating safeguards.

TI does not warrant or represent that any license, either express or implied, is granted under any TI patent right, copyright, mask work right, or other TI intellectual property right relating to any combination, machine, or process in which TI products or services are used. Information published by TI regarding third-party products or services does not constitute a license from TI to use such products or services or a warranty or endorsement thereof. Use of such information may require a license from a third party under the patents or other intellectual property of the third party, or a license from TI under the patents or other intellectual property of TI.

Reproduction of TI information in TI data books or data sheets is permissible only if reproduction is without alteration and is accompanied by all associated warranties, conditions, limitations, and notices. Reproduction of this information with alteration is an unfair and deceptive business practice. TI is not responsible or liable for such altered documentation. Information of third parties may be subject to additional restrictions.

Resale of TI products or services with statements different from or beyond the parameters stated by TI for that product or service voids all express and any implied warranties for the associated TI product or service and is an unfair and deceptive business practice. TI is not responsible or liable for any such statements.

TI products are not authorized for use in safety-critical applications (such as life support) where a failure of the TI product would reasonably be expected to cause severe personal injury or death, unless officers of the parties have executed an agreement specifically governing such use. Buyers represent that they have all necessary expertise in the safety and regulatory ramifications of their applications, and acknowledge and agree that they are solely responsible for all legal, regulatory and safety-related requirements concerning their products and any use of TI products in such safety-critical applications, notwithstanding any applications-related information or support that may be provided by TI. Further, Buyers must fully indemnify TI and its representatives against any damages arising out of the use of TI products in such safety-critical applications.

TI products are neither designed nor intended for use in military/aerospace applications or environments unless the TI products are specifically designated by TI as military-grade or "enhanced plastic." Only products designated by TI as military-grade meet military specifications. Buyers acknowledge and agree that any such use of TI products which TI has not designated as military-grade is solely at the Buyer's risk, and that they are solely responsible for compliance with all legal and regulatory requirements in connection with such use.

TI products are neither designed nor intended for use in automotive applications or environments unless the specific TI products are designated by TI as compliant with ISO/TS 16949 requirements. Buyers acknowledge and agree that, if they use any non-designated products in automotive applications, TI will not be responsible for any failure to meet such requirements.

Following are URLs where you can obtain information on other Texas Instruments products and application solutions:

### Products

Amplifiers	<a href="http://amplifier.ti.com">amplifier.ti.com</a>
Data Converters	<a href="http://dataconverter.ti.com">dataconverter.ti.com</a>
DLP® Products	<a href="http://www.dlp.com">www.dlp.com</a>
DSP	<a href="http://dsp.ti.com">dsp.ti.com</a>
Clocks and Timers	<a href="http://www.ti.com/clocks">www.ti.com/clocks</a>
Interface	<a href="http://interface.ti.com">interface.ti.com</a>
Logic	<a href="http://logic.ti.com">logic.ti.com</a>
Power Mgmt	<a href="http://power.ti.com">power.ti.com</a>
Microcontrollers	<a href="http://microcontroller.ti.com">microcontroller.ti.com</a>
RFID	<a href="http://www.ti-rfid.com">www.ti-rfid.com</a>
RF/IF and ZigBee® Solutions	<a href="http://www.ti.com/lprf">www.ti.com/lprf</a>

### Applications

Audio	<a href="http://www.ti.com/audio">www.ti.com/audio</a>
Automotive	<a href="http://www.ti.com/automotive">www.ti.com/automotive</a>
Broadband	<a href="http://www.ti.com/broadband">www.ti.com/broadband</a>
Digital Control	<a href="http://www.ti.com/digitalcontrol">www.ti.com/digitalcontrol</a>
Medical	<a href="http://www.ti.com/medical">www.ti.com/medical</a>
Military	<a href="http://www.ti.com/military">www.ti.com/military</a>
Optical Networking	<a href="http://www.ti.com/opticalnetwork">www.ti.com/opticalnetwork</a>
Security	<a href="http://www.ti.com/security">www.ti.com/security</a>
Telephony	<a href="http://www.ti.com/telephony">www.ti.com/telephony</a>
Video & Imaging	<a href="http://www.ti.com/video">www.ti.com/video</a>
Wireless	<a href="http://www.ti.com/wireless">www.ti.com/wireless</a>

Mailing Address: Texas Instruments, Post Office Box 655303, Dallas, Texas 75265  
Copyright © 2009, Texas Instruments Incorporated