

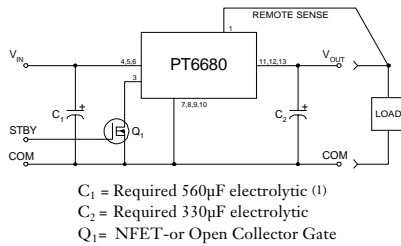
- Single Device: 5A Output
- Input Voltage Range: 18V to 36V
- Adjustable Output Voltage
- 80% Efficiency
- Remote Sense Capability
- Standby Function

trial applications requiring as much as 36V input and 5A of output current, the PT6680 is packaged in a 14-Pin SIP (Single In-line Package) and is available in a surface-mount configuration.

The PT6680 series is a new addition to Power Trends' line of 24V bus Integrated Switching Regulators (ISRs). Designed for general purpose indus-

Only two external capacitors are required for proper operation. Please note that this product does not include short circuit protection.

Standard Application



Pin-Out Information

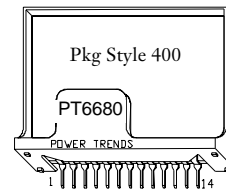
1	Remote Sense
2	Do Not Connect
3	STBY*- Standby
4	V _{in}
5	V _{in}
6	V _{in}
7	GND
8	GND
9	GND
10	GND
11	V _{out}
12	V _{out}
13	V _{out}
14	V _{out} Adjust

Ordering Information

- PT6681□ = +3.3 Volts
- PT6682□ = +2.5 Volts
- PT6683□ = +5.0 Volts
- PT6684□ = +9.0 Volts
- PT6685□ = +15.0 Volts
- PT6686□ = +12.0 Volts

PT Series Suffix (PT1234X)

Case/Pin Configuration	Heat Spreader	Heat Spreader with Side Tabs
Vertical Through-Hole	P	R
Horizontal Through-Hole	D	G
Horizontal Surface Mount	E	B



Note: Back surface of product is conducting metal

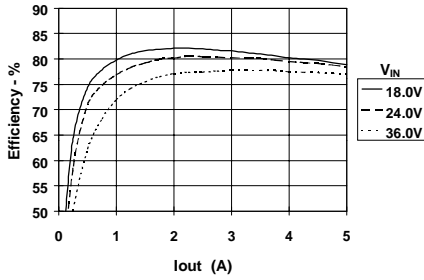
Specifications

Characteristics (T _a = 25°C unless noted)	Symbols	Conditions	PT6680 SERIES			Units	
			Min	Typ	Max		
Output Current	I _o	T _a = 60°C, 200 LFM, pkg P T _a = 25°C, natural convection	0.1 (2)	—	5.0	A	
Input Voltage Range	V _{in}	0.1A ≤ I _o ≤ I _{o max}	+18V	—	+36V	V	
Output Voltage Tolerance	ΔV _o	Over V _{in} range T _a = -40°C to +65°C	V _o -0.1	—	V _o +0.1	V	
Output Voltage Adjust Range	V _{oadj}	Pin 14 to V _o or ground	V _o = +3.3V V _o = +2.5V V _o = +5.0V V _o = +9.0V V _o = +12V V _o = +15V	2.2 1.8 3.0 6.0 9.0 10.0	— — — — — —	4.7 4.3 6.5 10.2 13.6 17.0	V
Line Regulation	Reg _{line}	+18V ≤ V _{in} ≤ +36V, I _o = I _{o max}	—	±0.5	±1.0	%V _o	
Load Regulation	Reg _{load}	V _{in} = +28V, 0.1 ≤ I _o ≤ I _{o max}	—	±0.5	±1.0	%V _o	
V _o Ripple/Noise	V _n	V _{in} = +28V, I _o = I _{o max}	—	50 1.0	—	mVpp %V _o	
Transient Response with C ₂ = 330 μ F	t _{tr} V _{os}	I _o step between 2.5A and 5.0A V _o over/undershoot	— —	100 100	— —	μ Sec mV	
Efficiency	η	V _{in} = +28V, I _o = I _{o max}	V _o = +3.3V V _o = +2.5V V _o = +5.0V V _o = +9.0V V _o = +12.0V V _o = +15.0V	— — — — — —	78 73 82 87 88 90	— — — — — —	%
Switching Frequency	f _o	+18V ≤ V _{in} ≤ +36V Over I _o range	500	550	600	kHz	
Maximum Operating Temperature Range	T _a	Over V _{in} range	-40	—	+85 (3)	°C	
Storage Temperature	T _s	—	-40	—	+125	°C	
Mechanical Shock	—	Per Mil-STD-883D, Method 2002.3	—	500	—	G's	
Mechanical Vibration	—	Per Mil-STD-883D, Method 2007.2, 20-2000 Hz, soldered in a PC board	—	7.5	—	G's	
Weight	—	—	—	14	—	grams	

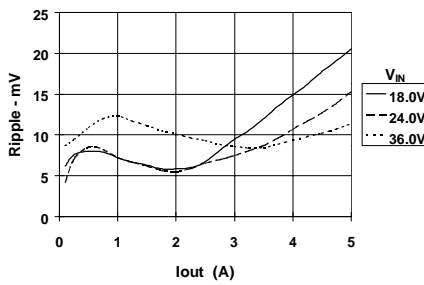
Notes (1) The 560 μ F electrolytic input capacitor must be rated for 1.5Arms ripple current. Both an input and output capacitor is required for proper operation.
 (2) The ISR will operate down to no load with reduced specifications.
 (3) Consult the SOA curves or contact the factory to determine the appropriate derating.

PT6681, $V_{out} = 3.3V$ (Note A)

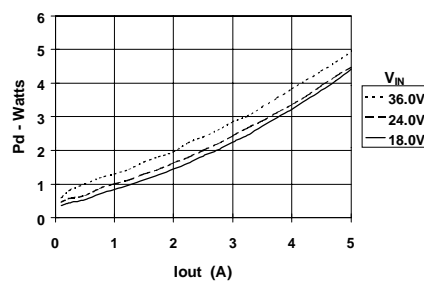
Efficiency vs Output Current



Ripple vs Output Current



Power Dissipation vs Output Current



Note A: Characteristic data in the above graphs has been developed from actual products tested at 25°C. This data is considered typical for the ISR.
 Note B: SOA curves represent conditions at which internal components are at or below manufacturer's maximum operating temperatures.

Adjusting the Output Voltage of the PT6680 5Amp 18-36V Bus Converter Series

The output voltage of the Power Trends PT6680 Series ISRs may be adjusted higher or lower than the factory trimmed pre-set voltage with the addition of a single external resistor ¹. Table 1 gives the respective allowable adjustment range for each model in the series as V_a (min) and V_a (max).

Adjust Up: An increase in the output voltage is obtained by adding a resistor R2, between pin 14 (V_o adjust) and pins 7-10 (GND).

Adjust Down: Add a resistor (R1), between pin 14 (V_o adjust) and pins 11-13 (V_{out}).

Refer to Figure 1 and Table 2 for both the placement and value of the required resistor, either (R1) or R2 as appropriate.

Notes:

1. Use only a single 1% resistor in either the (R1) or R2 location. Place the resistor as close to the ISR as possible.
2. Never connect capacitors from V_o adjust to either GND, V_{out} , or the Remote Sense pin. Any capacitance added to the V_o adjust pin will affect the stability of the ISR.
3. If the Remote Sense feature is being used, connecting the resistor (R1) between pin 14 (V_o adjust) and pin 1 (Remote Sense) can benefit load regulation.
4. For output voltages above 10.0Vdc, the maximum output current must be limited to 4Adc.
5. Adjustments to the output voltage may place additional limits on the input voltage for the part. The revised limits must comply with the following requirements.

$$V_{in} \text{ (min)} = (V_{out} + 3)V \text{ or } 18V, \text{ whichever is higher.}$$

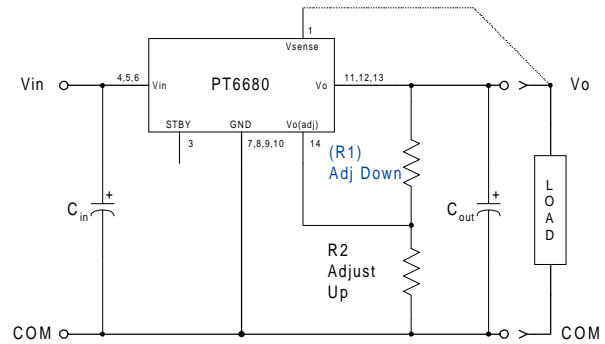
$$V_{in} \text{ (max)} = (10 \times V_{out})V \text{ or } 36V, \text{ whichever is less.}$$

Table 1

PT6680 ADJUSTMENT AND FORMULA PARAMETERS

Series Pt #	PT6682	PT6681	PT6683	PT6684	PT6686	PT6685
V_o (nom)	2.5V	3.3V	5.0V	9.0V	12.0V	15.0V
V_a (min)	1.8V	2.2V	3.0V	6.0V	9.0V	10.0V
V_a (max)	4.3V	4.7V	6.5V	10.2V	13.6V	17.0V
R_o (k Ω)	4.99	4.22	2.49	2.0	2.0	2.0
R_s (k Ω)	2.49	4.99	4.99	12.7	12.7	12.7

Figure 1



The values of (R1) [adjust down], and R2 [adjust up], can also be calculated using the following formulae.

$$(R1) = \frac{R_o (V_o - 1.25)(V_a - 1.25)}{1.25 (V_o - V_a)} - R_s \quad k\Omega$$

$$R2 = \frac{R_o (V_o - 1.25)}{V_a - V_o} - R_s \quad k\Omega$$

Where: V_o = Original output voltage
 V_a = Adjusted output voltage
 R_o = The resistance value in Table 1
 R_s = The series resistance from Table 1

PT6680 Series

Table 2

PT6680 ADJUSTMENT RESISTOR VALUES

Series Pt #	PT6682	PT6681	PT6683	Series Pt #	PT6684	PT6686	PT6685
Current	5Adc	5Adc	5Adc	Current	5Adc	4Adc	4Adc
V _o (nom)	2.5Vdc	3.3Vdc	5.0Vdc	V _o (nom)	9.0Vdc	12.0Vdc	15.0Vdc
V _a (req'd)				V _a (req'd)			
1.8	(1.4)kΩ			6.0	(6.9)kΩ		
1.9	(2.9)kΩ			6.2	(9.2)kΩ		
2.0	(5.0)kΩ			6.4	(11.9)kΩ		
2.1	(8.1)kΩ			6.6	(14.0)kΩ		
2.2	(13.3)kΩ	(1.0)kΩ		6.8	(18.6)kΩ		
2.3	(23.7)kΩ	(2.3)kΩ		7.0	(23.0)kΩ		
2.4	(54.9)kΩ	(3.9)kΩ		7.2	(28.3)kΩ		
2.5		(5.8)kΩ		7.4	(35.0)kΩ		
2.6	59.9kΩ	(8.4)kΩ		7.6	(43.5)kΩ		
2.7	28.7kΩ	(11.7)kΩ		7.8	(55.0)kΩ		
2.8	18.3kΩ	(16.5)kΩ		8.0	(71.0)kΩ		
2.9	13.1kΩ	(23.6)kΩ		8.2	(95.0)kΩ		
3.0	10.0kΩ	(35.4)kΩ	(1.6)kΩ	8.4	(135.0)kΩ		
3.1	7.9kΩ	(59.0)kΩ	(2.3)kΩ	8.6	(215.0)kΩ		
3.2	6.4kΩ	(130.0)kΩ	(3.1)kΩ	8.8	(455.0)kΩ		
3.3	5.3kΩ		(4.0)kΩ	9.0		(31.7)kΩ	
3.4	4.4kΩ	81.5kΩ	(5.1)kΩ	9.2	64.8kΩ	(36.1)kΩ	
3.5	3.8kΩ	38.3kΩ	(6.2)kΩ	9.4	26.1kΩ	(41.2)kΩ	
3.6	3.2kΩ	23.8kΩ	(7.6)kΩ	9.6	13.1kΩ	(47.1)kΩ	
3.7	2.7kΩ	16.6kΩ	(9.1)kΩ	9.8	6.7kΩ	(54.1)kΩ	
3.8	2.3kΩ	12.3kΩ	(10.9)kΩ	10.0	2.8kΩ	(62.6)kΩ	(25.8)kΩ
3.9	2.0kΩ	9.4kΩ	(13.0)kΩ	10.2	0.2kΩ	(72.8)kΩ	(28.3)kΩ
4.0	1.7kΩ	7.4kΩ	(15.6)kΩ	10.4		(85.7)kΩ	(31.1)kΩ
4.1	1.4kΩ	5.8kΩ	(18.7)kΩ	10.6		(102.0)kΩ	(34.1)kΩ
4.2	1.2kΩ	4.6kΩ	(22.6)kΩ	10.8		(124.0)kΩ	(37.3)kΩ
4.3	1.0kΩ	3.7kΩ	(27.6)kΩ	11.0		(155.0)kΩ	(40.9)kΩ
4.4		2.9kΩ	(34.2)kΩ	11.2		(201.0)kΩ	(44.9)kΩ
4.5		2.2kΩ	(43.6)kΩ	11.4		(278.0)kΩ	(49.3)kΩ
4.6		1.7kΩ	(57.6)kΩ	11.6		(432.0)kΩ	(54.3)kΩ
4.7		1.2kΩ	(80.9)kΩ	11.8		(895.0)kΩ	(59.8)kΩ
4.8			(128.0)kΩ	12.0			(66.1)kΩ
4.9			(268.0)kΩ	12.2		94.8kΩ	(73.3)kΩ
5.0				12.4		41.1kΩ	(81.6)kΩ
5.1			88.4kΩ	12.6		23.1kΩ	(91.3)kΩ
5.2			41.7kΩ	12.8		14.2kΩ	(103.0)kΩ
5.3			26.1kΩ	13.0		8.8kΩ	(117.0)kΩ
5.4			18.4kΩ	13.2		5.2kΩ	(133.0)kΩ
5.5			13.7kΩ	13.4		2.7kΩ	(154.0)kΩ
5.6			10.6kΩ	13.6		0.7kΩ	(181.0)kΩ
5.7			8.4kΩ	13.8			(217.0)kΩ
5.8			6.7kΩ	14.0			(268.0)kΩ
5.9			5.4kΩ	14.2			(343.0)kΩ
6.0			4.4kΩ	14.5			(570.0)kΩ
6.1			3.5kΩ	15.0			
6.2			2.8kΩ	15.5			42.3kΩ
6.3			2.2kΩ	16.0			14.8kΩ
6.4			1.7kΩ	16.5			5.6kΩ
6.5			1.2kΩ	17.0			1.1kΩ

R1 = (Blue) R2 = Black

PACKAGING INFORMATION

Orderable Device	Status (1)	Package Type	Package Drawing	Pins	Package Qty	Eco Plan (2)	Lead/Ball Finish	MSL Peak Temp (3)	Samples (Requires Login)
PT6681B	OBSOLETE	SIP MODULE	EEK	14		TBD	Call TI	Call TI	
PT6683P	OBSOLETE	SIP MODULE	EED	14		TBD	Call TI	Call TI	
PT6683R	LIFEBUY	SIP MODULE	EEE	14	12	Pb-Free (RoHS)	Call TI	N / A for Pkg Type	
PT6685P	LIFEBUY	SIP MODULE	EED	14	12	Pb-Free (RoHS)	Call TI	N / A for Pkg Type	
PT6685R	OBSOLETE	SIP MODULE	EEE	14		TBD	Call TI	Call TI	
PT6686B	OBSOLETE	SIP MODULE	EEK	14		TBD	Call TI	Call TI	

(1) The marketing status values are defined as follows:

ACTIVE: Product device recommended for new designs.

LIFEBUY: TI has announced that the device will be discontinued, and a lifetime-buy period is in effect.

NRND: Not recommended for new designs. Device is in production to support existing customers, but TI does not recommend using this part in a new design.

PREVIEW: Device has been announced but is not in production. Samples may or may not be available.

OBSOLETE: TI has discontinued the production of the device.

(2) Eco Plan - The planned eco-friendly classification: Pb-Free (RoHS), Pb-Free (RoHS Exempt), or Green (RoHS & no Sb/Br) - please check <http://www.ti.com/productcontent> for the latest availability information and additional product content details.

TBD: The Pb-Free/Green conversion plan has not been defined.

Pb-Free (RoHS): TI's terms "Lead-Free" or "Pb-Free" mean semiconductor products that are compatible with the current RoHS requirements for all 6 substances, including the requirement that lead not exceed 0.1% by weight in homogeneous materials. Where designed to be soldered at high temperatures, TI Pb-Free products are suitable for use in specified lead-free processes.

Pb-Free (RoHS Exempt): This component has a RoHS exemption for either 1) lead-based flip-chip solder bumps used between the die and package, or 2) lead-based die adhesive used between the die and leadframe. The component is otherwise considered Pb-Free (RoHS compatible) as defined above.

Green (RoHS & no Sb/Br): TI defines "Green" to mean Pb-Free (RoHS compatible), and free of Bromine (Br) and Antimony (Sb) based flame retardants (Br or Sb do not exceed 0.1% by weight in homogeneous material)

(3) MSL, Peak Temp. -- The Moisture Sensitivity Level rating according to the JEDEC industry standard classifications, and peak solder temperature.

Important Information and Disclaimer: The information provided on this page represents TI's knowledge and belief as of the date that it is provided. TI bases its knowledge and belief on information provided by third parties, and makes no representation or warranty as to the accuracy of such information. Efforts are underway to better integrate information from third parties. TI has taken and continues to take reasonable steps to provide representative and accurate information but may not have conducted destructive testing or chemical analysis on incoming materials and chemicals. TI and TI suppliers consider certain information to be proprietary, and thus CAS numbers and other limited information may not be available for release.

In no event shall TI's liability arising out of such information exceed the total purchase price of the TI part(s) at issue in this document sold by TI to Customer on an annual basis.

IMPORTANT NOTICE

Texas Instruments Incorporated and its subsidiaries (TI) reserve the right to make corrections, enhancements, improvements and other changes to its semiconductor products and services per JESD46, latest issue, and to discontinue any product or service per JESD48, latest issue. Buyers should obtain the latest relevant information before placing orders and should verify that such information is current and complete. All semiconductor products (also referred to herein as "components") are sold subject to TI's terms and conditions of sale supplied at the time of order acknowledgment.

TI warrants performance of its components to the specifications applicable at the time of sale, in accordance with the warranty in TI's terms and conditions of sale of semiconductor products. Testing and other quality control techniques are used to the extent TI deems necessary to support this warranty. Except where mandated by applicable law, testing of all parameters of each component is not necessarily performed.

TI assumes no liability for applications assistance or the design of Buyers' products. Buyers are responsible for their products and applications using TI components. To minimize the risks associated with Buyers' products and applications, Buyers should provide adequate design and operating safeguards.

TI does not warrant or represent that any license, either express or implied, is granted under any patent right, copyright, mask work right, or other intellectual property right relating to any combination, machine, or process in which TI components or services are used. Information published by TI regarding third-party products or services does not constitute a license to use such products or services or a warranty or endorsement thereof. Use of such information may require a license from a third party under the patents or other intellectual property of the third party, or a license from TI under the patents or other intellectual property of TI.

Reproduction of significant portions of TI information in TI data books or data sheets is permissible only if reproduction is without alteration and is accompanied by all associated warranties, conditions, limitations, and notices. TI is not responsible or liable for such altered documentation. Information of third parties may be subject to additional restrictions.

Resale of TI components or services with statements different from or beyond the parameters stated by TI for that component or service voids all express and any implied warranties for the associated TI component or service and is an unfair and deceptive business practice. TI is not responsible or liable for any such statements.

Buyer acknowledges and agrees that it is solely responsible for compliance with all legal, regulatory and safety-related requirements concerning its products, and any use of TI components in its applications, notwithstanding any applications-related information or support that may be provided by TI. Buyer represents and agrees that it has all the necessary expertise to create and implement safeguards which anticipate dangerous consequences of failures, monitor failures and their consequences, lessen the likelihood of failures that might cause harm and take appropriate remedial actions. Buyer will fully indemnify TI and its representatives against any damages arising out of the use of any TI components in safety-critical applications.

In some cases, TI components may be promoted specifically to facilitate safety-related applications. With such components, TI's goal is to help enable customers to design and create their own end-product solutions that meet applicable functional safety standards and requirements. Nonetheless, such components are subject to these terms.

No TI components are authorized for use in FDA Class III (or similar life-critical medical equipment) unless authorized officers of the parties have executed a special agreement specifically governing such use.

Only those TI components which TI has specifically designated as military grade or "enhanced plastic" are designed and intended for use in military/aerospace applications or environments. Buyer acknowledges and agrees that any military or aerospace use of TI components which have **not** been so designated is solely at the Buyer's risk, and that Buyer is solely responsible for compliance with all legal and regulatory requirements in connection with such use.

TI has specifically designated certain components as meeting ISO/TS16949 requirements, mainly for automotive use. In any case of use of non-designated products, TI will not be responsible for any failure to meet ISO/TS16949.

Products

Audio	www.ti.com/audio
Amplifiers	amplifier.ti.com
Data Converters	dataconverter.ti.com
DLP® Products	www.dlp.com
DSP	dsp.ti.com
Clocks and Timers	www.ti.com/clocks
Interface	interface.ti.com
Logic	logic.ti.com
Power Mgmt	power.ti.com
Microcontrollers	microcontroller.ti.com
RFID	www.ti-rfid.com
OMAP Applications Processors	www.ti.com/omap
Wireless Connectivity	www.ti.com/wirelessconnectivity

Applications

Automotive and Transportation	www.ti.com/automotive
Communications and Telecom	www.ti.com/communications
Computers and Peripherals	www.ti.com/computers
Consumer Electronics	www.ti.com/consumer-apps
Energy and Lighting	www.ti.com/energy
Industrial	www.ti.com/industrial
Medical	www.ti.com/medical
Security	www.ti.com/security
Space, Avionics and Defense	www.ti.com/space-avionics-defense
Video and Imaging	www.ti.com/video

TI E2E Community

e2e.ti.com