

PGA103

# Programmable Gain AMPLIFIER

## FEATURES

- DIGITALLY PROGRAMABLE GAINS:  
G=1, 10, 100V/V
- CMOS/TTL-COMPATIBLE INPUTS
- LOW GAIN ERROR:  $\pm 0.05\%$  max, G=10
- LOW OFFSET VOLTAGE DRIFT:  $2\mu\text{V}/^\circ\text{C}$
- LOW QUIESCENT CURRENT: 2.6mA
- LOW COST
- 8-PIN PLASTIC DIP, SO-8 PACKAGES

## APPLICATIONS

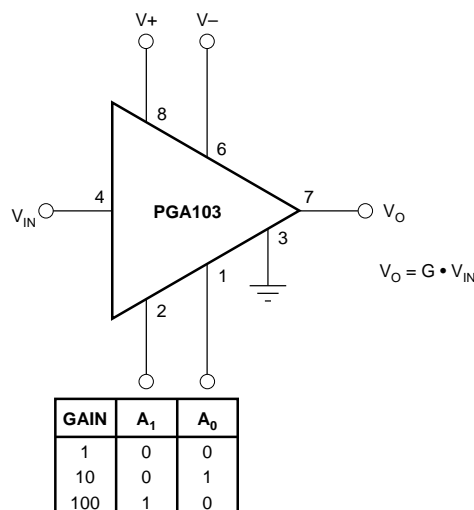
- DATA ACQUISITION SYSTEMS
- GENERAL PURPOSE ANALOG BOARDS
- MEDICAL INSTRUMENTATION

## DESCRIPTION

The PGA103 is a programmable-gain amplifier for general purpose applications. Gains of 1, 10, or 100 are digitally selected by two CMOS/TTL-compatible inputs. The PGA103 is ideal for systems that must handle wide dynamic range signals.

The PGA103's high speed circuitry provides fast settling time, even at G=100 ( $8\mu\text{s}$  to 0.01%). Bandwidth is 250kHz at G=100, yet quiescent current is only 2.6mA. It operates from  $\pm 4.5\text{V}$  to  $\pm 18\text{V}$  power supplies.

The PGA103 is available in 8-pin plastic DIP and SO-8 surface-mount packages, specified for the  $-40^\circ\text{C}$  to  $+85^\circ\text{C}$  temperature range.



International Airport Industrial Park • Mailing Address: PO Box 11400 • Tucson, AZ 85734 • Street Address: 6730 S. Tucson Blvd. • Tucson, AZ 85706  
Tel: (520) 746-1111 • Twx: 910-952-1111 • Cable: BBRCORP • Telex: 066-6491 • FAX: (520) 889-1510 • Immediate Product Info: (800) 548-6132

# SPECIFICATIONS

## ELECTRICAL

$T_A = +25^\circ\text{C}$ ,  $V_S = \pm 15\text{V}$ ,  $R_L = 2\text{k}\Omega$  unless otherwise specified.

PARAMETER	CONDITIONS	PGA103P, U			UNITS
		MIN	TYP	MAX	
<b>INPUT</b>					
Offset Voltage, RTI	$T_A = +25^\circ\text{C}$		$\pm 200$	$\pm 1500$	$\mu\text{V}$
G = 1			$\pm 100$	$\pm 500$	$\mu\text{V}$
G = 10			$\pm 100$	$\pm 500$	$\mu\text{V}$
G = 100					
vs Temperature	$T_A = T_{\text{MIN}}$ to $T_{\text{MAX}}$		$\pm 5$		$\mu\text{V}/^\circ\text{C}$
G = 1			$\pm 2$		$\mu\text{V}/^\circ\text{C}$
G = 10			$\pm 2$		$\mu\text{V}/^\circ\text{C}$
G = 100					
vs Power Supply	$V_S = \pm 4.5\text{V}$ to $\pm 18\text{V}$		30	70	$\mu\text{V}/\text{V}$
G = 1			10	35	$\mu\text{V}/\text{V}$
G = 10			10	35	$\mu\text{V}/\text{V}$
G = 100					
Impedance			$10^8 \parallel 2$		$\Omega \parallel \text{pF}$
<b>INPUT BIAS CURRENT</b>					
Initial Bias Current			$\pm 50$	$\pm 150$	nA
vs Temperature			$\pm 100$		$\text{pA}/^\circ\text{C}$
<b>NOISE VOLTAGE, RTI</b>	$G = 100$ , $R_S = 0\Omega$				
f = 10Hz			16		$\text{nV}/\sqrt{\text{Hz}}$
f = 100Hz			11		$\text{nV}/\sqrt{\text{Hz}}$
f = 1kHz			11		$\text{nV}/\sqrt{\text{Hz}}$
$f_B = 0.1\text{Hz}$ to 10Hz			0.6		$\mu\text{Vp-p}$
<b>NOISE CURRENT</b>					
f = 10Hz			2.8		$\text{pA}/\sqrt{\text{Hz}}$
f = 1kHz			0.3		$\text{pA}/\sqrt{\text{Hz}}$
$f_B = 0.1\text{Hz}$ to 10Hz			76		$\text{pAp-p}$
<b>GAIN</b>					
Gain Error					%
G = 1			$\pm 0.005$	$\pm 0.02$	%
G = 10			$\pm 0.02$	$\pm 0.05$	%
G = 100			$\pm 0.04$	$\pm 0.2$	%
Gain vs Temperature					$\text{ppm}/^\circ\text{C}$
G = 1			$\pm 2$		$\text{ppm}/^\circ\text{C}$
G = 10			$\pm 10$		$\text{ppm}/^\circ\text{C}$
G = 100			$\pm 30$		$\text{ppm}/^\circ\text{C}$
Nonlinearity					% of FSR
G = 1			$\pm 0.001$	$\pm 0.003$	% of FSR
G = 10			$\pm 0.002$	$\pm 0.005$	% of FSR
G = 100			$\pm 0.004$	$\pm 0.01$	% of FSR
<b>OUTPUT</b>					
Voltage, Positive		(V+) -3.5	(V+) -2.5		V
Negative		(V-) +3.5	(V-) +2.5		V
Load Capacitance, max			1000		pF
Short-Circuit Current			$\pm 25$		mA
<b>FREQUENCY RESPONSE</b>					
Bandwidth, -3dB					
G = 1			1.5		MHz
G = 10			750		kHz
G = 100			250		kHz
Slew Rate			9		$\text{V}/\mu\text{s}$
Settling Time, 0.1%					$\mu\text{s}$
G = 1			2		$\mu\text{s}$
G = 10			2.2		$\mu\text{s}$
G = 100			6.5		$\mu\text{s}$
Settling Time, 0.01%					$\mu\text{s}$
G = 1			2.5		$\mu\text{s}$
G = 10			2.5		$\mu\text{s}$
G = 100			8		$\mu\text{s}$
Overload Recovery	50% Overdrive		2.5		$\mu\text{s}$
<b>DIGITAL LOGIC INPUTS</b>					
Digital Low Voltage		-5.6		0.8	V
Digital Low or High Current			1		$\mu\text{A}$
Digital High Voltage		2		V+	V

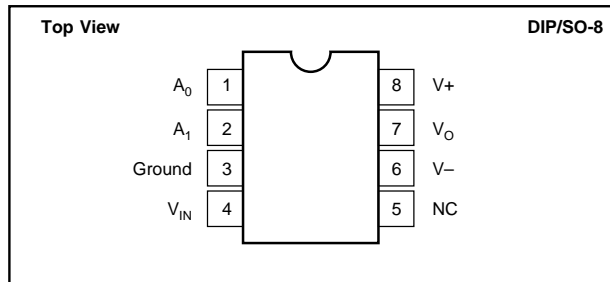
# SPECIFICATIONS (CONT)

## ELECTRICAL

$T_A = +25^\circ\text{C}$ ,  $V_S = \pm 15\text{V}$ ,  $R_L = 2\text{k}\Omega$  unless otherwise specified.

PARAMETER	CONDITIONS	PGA103P, U			UNITS
		MIN	TYP	MAX	
<b>POWER SUPPLY</b> Voltage Range Current	$V_{IN} = 0\text{V}$	$\pm 4.5$	$\pm 15$ $\pm 2.6$	$\pm 18$ $\pm 3.5$	V mA
<b>TEMPERATURE RANGE</b> Specification Operating $\theta_{JA}$ : P or U Package		-40 -40	100	+85 +125	$^\circ\text{C}$ $^\circ\text{C}$ $^\circ\text{C/W}$

## PIN CONFIGURATION



## ABSOLUTE MAXIMUM RATINGS

Supply Voltage .....	$\pm 18\text{V}$
Analog Input Voltage Range .....	$V_-$ to $V_+$
Logic Input Voltage Range .....	$V_-$ to $V_+$
Output Short Circuit (to ground) .....	Continuous
Operating Temperature .....	$-40^\circ\text{C}$ to $+125^\circ\text{C}$
Storage Temperature .....	$-40^\circ\text{C}$ to $+125^\circ\text{C}$
Junction Temperature .....	$+150^\circ\text{C}$
Lead Temperature (soldering, 10s) .....	$+300^\circ\text{C}$

## PACKAGE INFORMATION

MODEL	PACKAGE	PACKAGE DRAWING NUMBER <sup>(1)</sup>
PGA103P	8-Pin Plastic DIP	006
PGA103U	SO-8 Surface-Mount	182

NOTE: (1) For detailed drawing and dimension table, please see end of data sheet, or Appendix D of Burr-Brown IC Data Book.

## ORDERING INFORMATION

MODEL	PACKAGE	TEMPERATURE RANGE
PGA103P	8-Pin Plastic DIP	$-40^\circ\text{C}$ to $+85^\circ\text{C}$
PGA103U	SO-8 Surface-Mount	$-40^\circ\text{C}$ to $+85^\circ\text{C}$

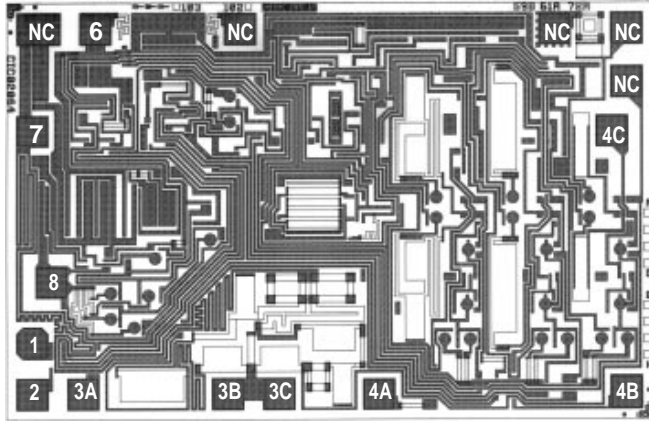
## ELECTROSTATIC DISCHARGE SENSITIVITY

Any integrated circuit can be damaged by ESD. Burr-Brown recommends that all integrated circuits be handled with appropriate precautions. Failure to observe proper handling and installation procedures can cause damage.

ESD damage can range from subtle performance degradation to complete device failure. Precision integrated circuits may be more susceptible to damage because very small parametric changes could cause the device not to meet published specifications.

The information provided herein is believed to be reliable; however, BURR-BROWN assumes no responsibility for inaccuracies or omissions. BURR-BROWN assumes no responsibility for the use of this information, and all use of such information shall be entirely at the user's own risk. Prices and specifications are subject to change without notice. No patent rights or licenses to any of the circuits described herein are implied or granted to any third party. BURR-BROWN does not authorize or warrant any BURR-BROWN product for use in life support devices and/or systems.

## DICE INFORMATION



PGA103 DIE TOPOGRAPHY

PAD	FUNCTION
1	A <sub>0</sub>
2	A <sub>1</sub>
3A, 3B, 3C <sup>(1)</sup>	Ground
4A, 4B, 4C <sup>(2)</sup>	V <sub>IN</sub>
6	V <sub>-</sub>
7	V <sub>O</sub>
8	V <sub>+</sub>

NC: No Connection

NOTES: (1) Connect all three indicated pads. (2) Connect all three indicated pads.

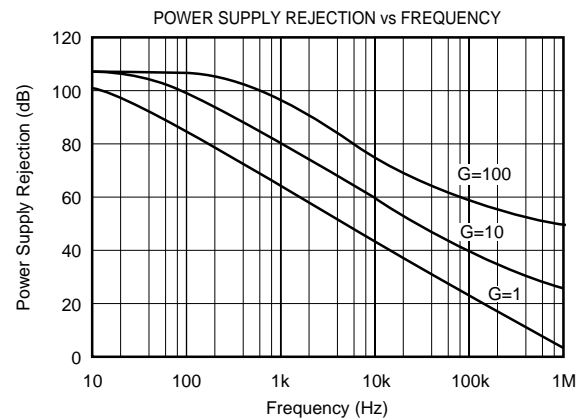
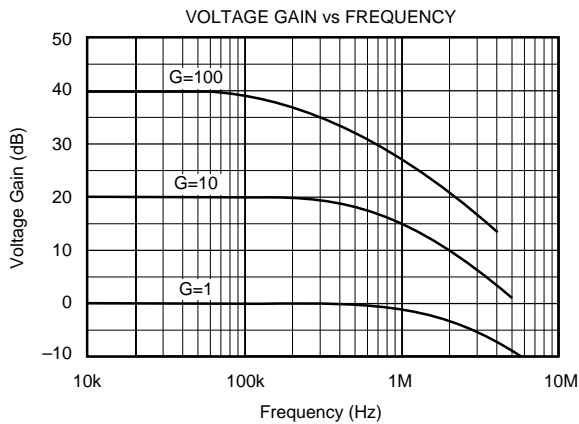
**Substrate Bias:** Internally connected to V<sub>-</sub> power supply.

## MECHANICAL INFORMATION

	MILS (0.001")	MILLIMETERS
Die Size	69 x 105 ±5	1.75 x 2.67 ±0.13
Die Thickness	20 ±3	0.51 ±0.08
Min. Pad Size	4 x 4	0.1 x 0.1
Backing		Gold

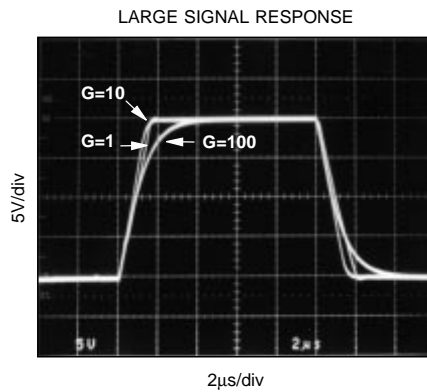
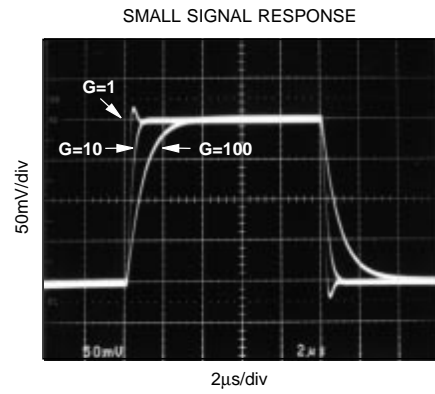
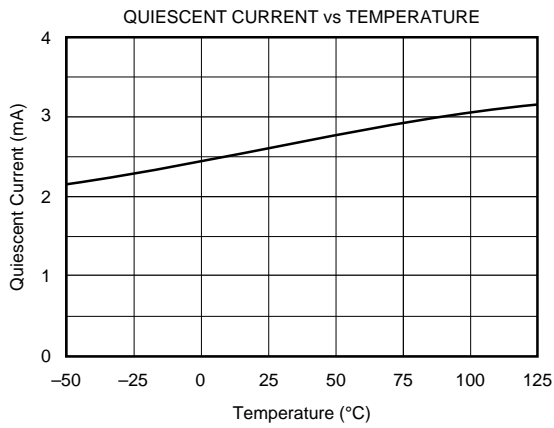
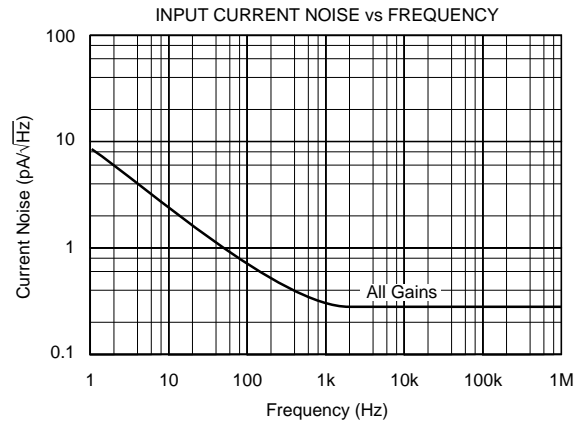
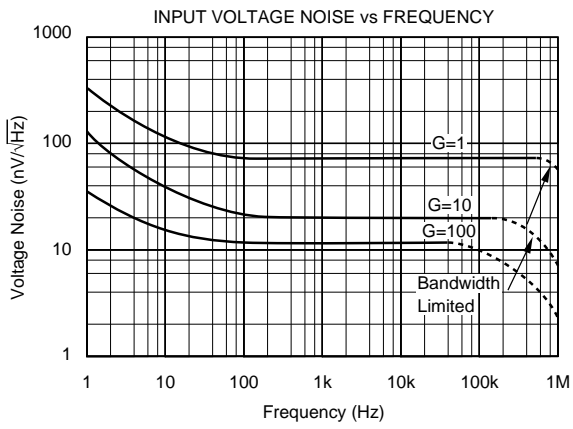
## TYPICAL PERFORMANCE CURVES

T<sub>A</sub> = +25°C, V<sub>S</sub> = ±15V unless otherwise noted.



# TYPICAL PERFORMANCE CURVES (CONT)

$T_A = +25^\circ\text{C}$ ,  $V_S = \pm 15\text{V}$  unless otherwise noted.



# APPLICATION INFORMATION

Figure 1 shows the basic connections required for operation of the PGA103. Applications with noisy or high impedance power supplies may require decoupling capacitors close to the device pins as shown.

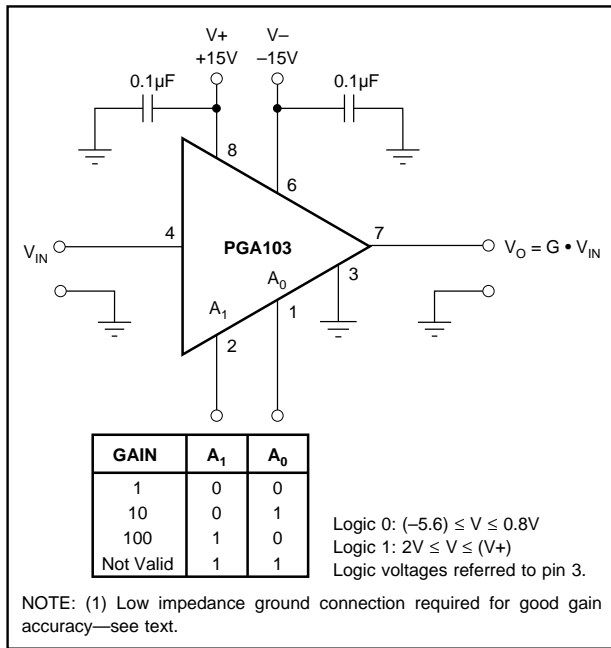


FIGURE 1. Basic Connections.

The input and output are referred to the ground terminal, pin 3. This must be a low-impedance connection to assure good gain accuracy. A resistance of  $0.1\Omega$  in series with the ground pin will cause the gain in  $G=100$  to decrease by approximately 0.2%.

## DIGITAL INPUTS

The digital inputs,  $A_0$  and  $A_1$ , select the gain according to the logic table in Figure 1. The digital inputs interface directly to common CMOS and TTL logic components. The logic inputs are referenced to the ground terminal, pin 3.

The logic table in Figure 1 shows that logic “1” on both  $A_0$  and  $A_1$  is invalid. This logic code will not cause damage, but the amplifier output will not be predictable while this code is selected. The output will recover when a valid code is selected.

The digital inputs are not latched, so a change in logic inputs immediately selects a new gain. Switching time of the logic is approximately  $0.5\mu s$ . The time to respond to gain change is equal to the switching time plus the time it takes the amplifier to settle to a new output voltage in the newly selected gain (see settling time specifications).

Many applications use an external logic latch to access gain control signals from a high speed data bus. Using an external latch isolates the high speed digital bus from sensitive analog circuitry. Locate the latch circuitry as far as practical from analog circuitry to avoid coupling digital noise into the analog circuitry.

Some applications select gain of the PGA103 with switches or jumpers. Figure 2 shows pull-up resistors connected to assure a noise-free logic “1” when the switch or jumper is off or open. Fixed-gain applications can connect the logic inputs directly to  $V+$  or ground (or other valid logic level) without a series resistor.

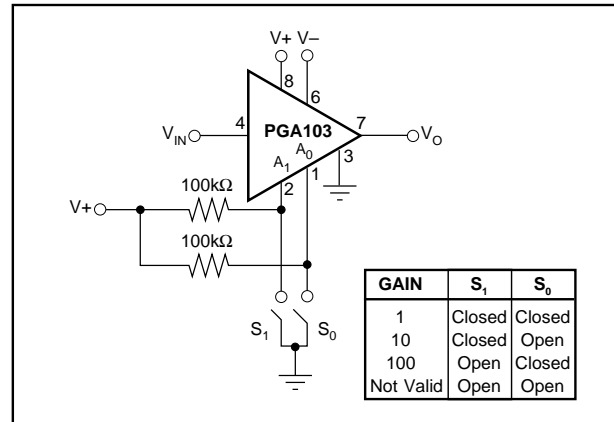


FIGURE 2. Switch or Jumper-Selected Gains.

## OFFSET TRIMMING

Offset voltage is laser-trimmed to typically less than  $200\mu V$  (referred to input) in all three gains. The input-referred offset voltage can be different for each gain.

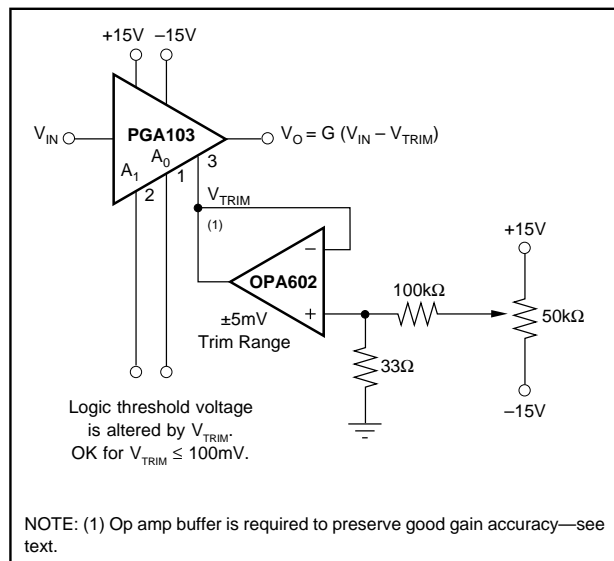


FIGURE 3. Offset Voltage Trim Circuit.

Figure 3 shows a circuit used to trim the offset voltage of the PGA103. An op amp buffers the trim voltage to provide a low impedance at the ground terminal. This is required to maintain accurate gain. Remember that the logic inputs,  $A_0$  and  $A_1$ , are referenced to this ground connection, so the logic threshold voltage will be affected by the trim voltage. This is insignificant if the offset adjustment is used only to trim offset voltage. If a large offset is used (greater than  $0.1V$ ), be sure that the logic input signals provide valid logic levels when referred to the voltage at the ground terminal, pin 3.

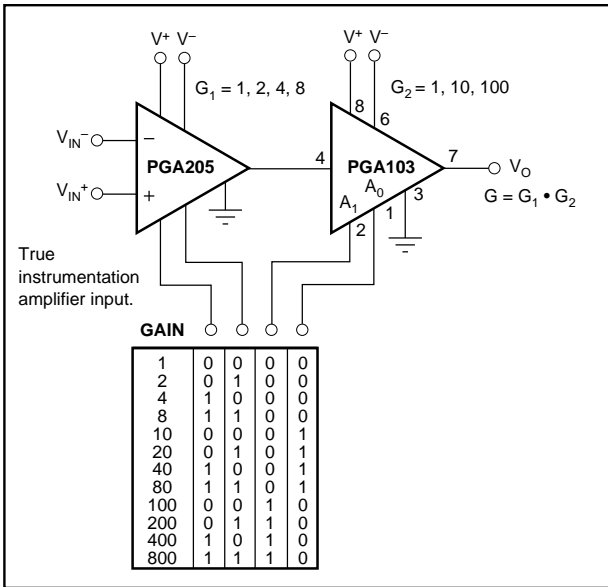


FIGURE 4. Programmable Gain Instrumentation Amplifier.

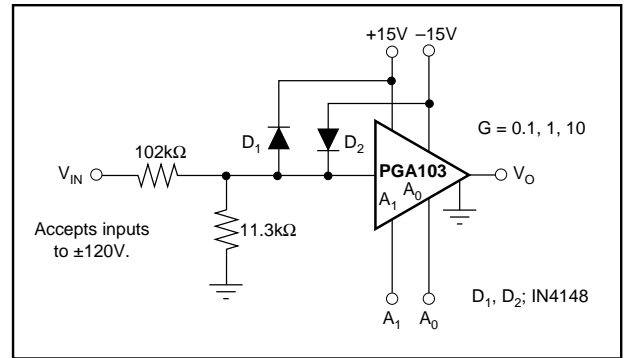


FIGURE 5. Wide Input Voltage Range Amplifier.

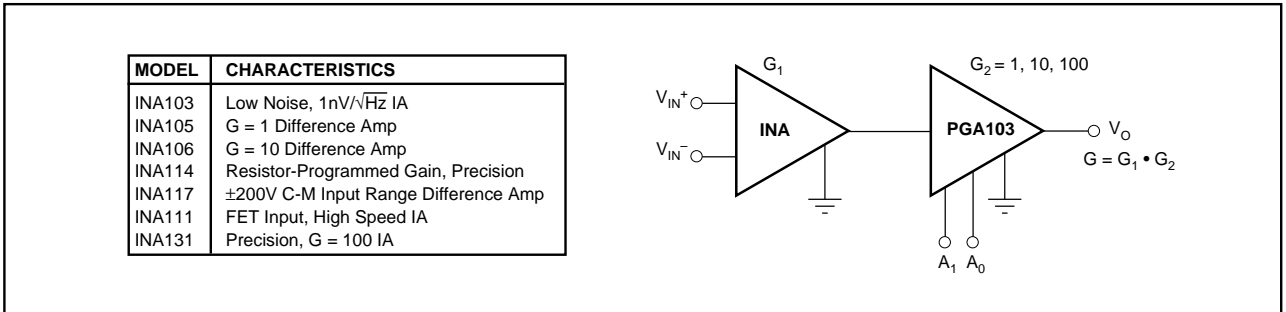


FIGURE 6. Instrumentation Amplifier with Programmable Gain Output Amp.

## **IMPORTANT NOTICE**

Texas Instruments and its subsidiaries (TI) reserve the right to make changes to their products or to discontinue any product or service without notice, and advise customers to obtain the latest version of relevant information to verify, before placing orders, that information being relied on is current and complete. All products are sold subject to the terms and conditions of sale supplied at the time of order acknowledgment, including those pertaining to warranty, patent infringement, and limitation of liability.

TI warrants performance of its semiconductor products to the specifications applicable at the time of sale in accordance with TI's standard warranty. Testing and other quality control techniques are utilized to the extent TI deems necessary to support this warranty. Specific testing of all parameters of each device is not necessarily performed, except those mandated by government requirements.

Customers are responsible for their applications using TI components.

In order to minimize risks associated with the customer's applications, adequate design and operating safeguards must be provided by the customer to minimize inherent or procedural hazards.

TI assumes no liability for applications assistance or customer product design. TI does not warrant or represent that any license, either express or implied, is granted under any patent right, copyright, mask work right, or other intellectual property right of TI covering or relating to any combination, machine, or process in which such semiconductor products or services might be or are used. TI's publication of information regarding any third party's products or services does not constitute TI's approval, warranty or endorsement thereof.