

SINGLE-ENDED, ANALOG-INPUT 24-BIT, 96-kHz STEREO A/D CONVERTER

Check for Samples: [PCM1808-Q1](#)

FEATURES

- Qualified for Automotive Applications
- 24-Bit Delta-Sigma Stereo A/D Converter
- Single-Ended Voltage Input: 3 V_{p-p}
- High Performance:
 - THD + N: –93 dB (Typical)
 - SNR: 99 dB (Typical)
 - Dynamic Range: 99 dB (Typical)
- Oversampling Decimation Filter:
 - Oversampling Frequency: $\times 64$
 - Pass-Band Ripple: ± 0.05 dB
 - Stop-Band Attenuation: –65 dB
 - On-Chip High-Pass Filter: 0.91 Hz (48 kHz)
- Flexible PCM Audio Interface
 - Master/Slave Mode Selectable
 - Data Formats: 24-Bit I²S, 24-Bit Left-Justified
- Power Down and Reset by Halting System Clock
- Analog Antialias LPF Included
- Sampling Rate: 8 kHz–96 kHz
- System Clock: 256 f_S, 384 f_S, 512 f_S
- Dual Power Supplies:
 - 5-V for Analog
 - 3.3-V for Digital

- Package: 14-Pin TSSOP

DESCRIPTION

The PCM1808-Q1 is high-performance, low-cost, single-chip, stereo analog-to-digital converter with single-ended analog voltage input. The PCM1808-Q1 uses a delta-sigma modulator with 64-times oversampling and includes a digital decimation filter and high-pass filter that removes the dc component of the input signal. For various applications, the PCM1808-Q1 supports master and slave mode and two data formats in serial audio interface.

The PCM1808-Q1 supports the power-down and reset function by means of halting the system clock.

The PCM1808-Q1 is suitable for wide variety of cost-sensitive consumer applications where good performance and operation with a 5-V analog supply and 3.3-V digital supply is required. The PCM1808-Q1 is fabricated using a highly advanced CMOS process and is available in a small, 14-pin TSSOP package.



Please be aware that an important notice concerning availability, standard warranty, and use in critical applications of Texas Instruments semiconductor products and disclaimers thereto appears at the end of this data sheet.

System Two, Audio Precision are trademarks of Audio Precision, Inc.
All other trademarks are the property of their respective owners.



This integrated circuit can be damaged by ESD. Texas Instruments recommends that all integrated circuits be handled with appropriate precautions. Failure to observe proper handling and installation procedures can cause damage.

ESD damage can range from subtle performance degradation to complete device failure. Precision integrated circuits may be more susceptible to damage because very small parametric changes could cause the device not to meet its published specifications.

ABSOLUTE MAXIMUM RATINGS

over operating free-air temperature range (unless otherwise noted) ⁽¹⁾

	PCM1808-Q1
Analog supply voltage, V_{CC}	–0.3 V to 6.5 V
Digital supply voltage, V_{DD}	–0.3 V to 4 V
Ground voltage differences, AGND, DGND	±0.1 V
Digital input voltage, LRCK, BCK, DOUT	–0.3 V to ($V_{DD} + 0.3$ V) < 4 V
Digital input voltage, SCKI, MD0, MD1, FMT	–0.3 V to 6.5 V
Analog input voltage, V_{INL} , V_{INR} , V_{REF}	–0.3 V to ($V_{CC} + 0.3$ V) < 6.5 V
Input current (any pins except supplies)	±10 mA
Ambient temperature under bias, T_A	–40°C to 125°C
Storage temperature, T_{stg}	–55°C to 150°C
Junction temperature, T_J	150°C
Lead temperature (soldering)	260°C, 5 s
Package temperature (reflow, peak)	260°C

(1) Stresses beyond those listed under *Absolute Maximum Ratings* may cause permanent damage to the device. These are stress ratings only, and functional operation of the device at these or any other conditions beyond those indicated under *Recommended Operating Conditions* is not implied. Exposure to absolute-maximum-rated conditions for extended periods may affect device reliability.

RECOMMENDED OPERATING CONDITIONS

over operating free-air temperature range (unless otherwise noted)

		MIN	NOM	MAX	UNIT
Analog supply voltage, V_{CC}		4.5	5	5.5	V
Digital supply voltage, V_{DD}		2.7	3.3	3.6	V
Analog input voltage, full scale (–0 dB)	$V_{CC} = 5$ V	2.93	3	3.23	Vp-p
Digital input logic family		TTL compatible			
Digital input clock frequency, system clock		2.048		49.152	MHz
Digital input clock frequency, sampling clock		8		96	kHz
Digital output load capacitance				20	pF
Operating free-air temperature, T_A		–40		125	°C

ELECTRICAL CHARACTERISTICS

All specifications at $T_A = 25^\circ\text{C}$, $V_{CC} = 5\text{ V}$, $V_{DD} = 3.3\text{ V}$, master mode, $f_S = 48\text{ kHz}$, system clock = $512 f_S$, 24-bit data, unless otherwise noted

PARAMETER		TEST CONDITIONS		MIN	TYP	MAX	UNIT	
Resolution				24			Bits	
DATA FORMAT								
Audio data interface format				I ² S, left-justified				
Audio data bit length				24			Bits	
Audio data format				MSB-first, 2s complement				
f_S	Sampling frequency			8	48	96	kHz	
System clock frequency, $-40^\circ\text{C} \leq T_A \leq 125^\circ\text{C}^{(1)}$		256 f_S		2.048	12.288	24.576	MHz	
		384 f_S		3.072	18.432	36.864		
		512 f_S		4.096	24.576	49.152		
INPUT LOGIC								
$V_{IH}^{(2)}$	Input logic level, $-40^\circ\text{C} \leq T_A \leq 125^\circ\text{C}^{(3)}$			2			VDC	
$V_{IL}^{(2)}$				0	V_{DD}			
$V_{IH}^{(4) (5)}$				2	5.5			
$V_{IL}^{(4) (5)}$				0	0.8			
$I_{IH}^{(4)}$	Input logic current	$V_{IN} = V_{DD}$				± 10	μA	
$I_{IL}^{(4)}$		$V_{IN} = 0\text{ V}$				± 10		
$I_{IH}^{(2) (5)}$		$V_{IN} = V_{DD}$		at 25°C		65		100
				$-40^\circ\text{C} \leq T_A \leq 125^\circ\text{C}$		65		150
$I_{IL}^{(2) (5)}$	$V_{IN} = 0\text{ V}$				± 10			
OUTPUT LOGIC								
$V_{OH}^{(6)}$	Output logic level ⁽³⁾	$I_{OUT} = -4\text{ mA}$		at 25°C		2.8	VDC	
				$-40^\circ\text{C} \leq T_A \leq 125^\circ\text{C}$		2.7		
$V_{OL}^{(6)}$		$I_{OUT} = 4\text{ mA}, -40^\circ\text{C} \leq T_A \leq 125^\circ\text{C}$				0.5		
DC ACCURACY, $-40^\circ\text{C} \leq T_A \leq 125^\circ\text{C}$								
Gain mismatch, channel-to-channel				± 1	± 3	% of FSR		
Gain error				± 3	± 6	% of FSR		
DYNAMIC PERFORMANCE ⁽⁷⁾								
THD + N	Total harmonic distortion + noise	$V_{IN} = -0.5\text{ dB}, f_S = 48\text{ kHz}$		at 25°C		-93	-87	dB
				$-40^\circ\text{C} \leq T_A \leq 125^\circ\text{C}$		-93	-85	
		$V_{IN} = -0.5\text{ dB}, f_S = 96\text{ kHz}^{(8)}$				-87		
		$V_{IN} = -60\text{ dB}, f_S = 48\text{ kHz}$				-37		
		$V_{IN} = -60\text{ dB}, f_S = 96\text{ kHz}^{(8)}$				-39		
Dynamic range		$f_S = 48\text{ kHz}, \text{A-weighted}$		at 25°C		95	99	dB
				$-40^\circ\text{C} \leq T_A \leq 125^\circ\text{C}$		93	99	
		$f_S = 96\text{ kHz}, \text{A-weighted}^{(8)}$				101		
S/N	Signal-to-noise ratio	$f_S = 48\text{ kHz}, \text{A-weighted}$		at 25°C		95	99	dB
				$-40^\circ\text{C} \leq T_A \leq 125^\circ\text{C}$		93	99	
		$f_S = 96\text{ kHz}, \text{A-weighted}^{(8)}$				101		

(1) 384 f_S where $f_S = 96\text{ kHz}$, and 512 where $f_S = 48\text{ kHz}$ and 96 kHz are functionally tested. Other options are specified by design.

(2) Pins 7, 8: LRCK, BCK (Schmitt-trigger input, with 50-k Ω typical pulldown resistor, in slave mode)

(3) Specified by design

(4) Pin 6: SCKI (Schmitt-trigger input, 5-V tolerant)

(5) Pins 10–12: MD0, MD1, FMT (Schmitt-trigger input, with 50-k Ω typical pulldown resistor, 5-V tolerant)

(6) Pins 7–9: LRCK, BCK (in master mode), DOUT

(7) Analog performance specifications are tested using a System Two™ audio measurement system by Audio Precision™ with 400-Hz HPF and 20-kHz LPF in RMS mode.

(8) $f_S = 96\text{ kHz}$, system clock = $256 f_S$.

ELECTRICAL CHARACTERISTICS (continued)

All specifications at $T_A = 25^\circ\text{C}$, $V_{CC} = 5\text{ V}$, $V_{DD} = 3.3\text{ V}$, master mode, $f_S = 48\text{ kHz}$, system clock = $512 f_S$, 24-bit data, unless otherwise noted

PARAMETER		TEST CONDITIONS	MIN	TYP	MAX	UNIT
Channel separation	$f_S = 48\text{ kHz}$	at 25°C	93	97		dB
		$-40^\circ\text{C} \leq T_A \leq 125^\circ\text{C}$	91	97		
	$f_S = 96\text{ kHz}^{(8)}$			91		
ANALOG INPUT						
Input voltage, $-40^\circ\text{C} \leq T_A \leq 125^\circ\text{C}$			$0.58 V_{CC}$	$0.6 V_{CC}$	$0.65 V_{CC}$	Vp-p
Center voltage input range, $-40^\circ\text{C} \leq T_A \leq 125^\circ\text{C}$			$0.2 V_{CC}$	$0.5 V_{CC}$	$0.8 V_{CC}$	V
Input impedance				60		k Ω
Antialiasing filter frequency response		-3 dB		1.3		MHz
DIGITAL FILTER PERFORMANCE, $-40^\circ\text{C} \leq T_A \leq 125^\circ\text{C}^{(3)}$						
Pass band					$0.454 f_S$	Hz
Stop band			$0.583 f_S$			Hz
Pass-band ripple					± 0.05	dB
Stop-band attenuation			-65			dB
Delay time				$17.4/f_S$		
HPF frequency response		-3 dB		$0.019 f_S/1000$		
POWER SUPPLY REQUIREMENTS						
V_{CC}	Voltage range, $-40^\circ\text{C} \leq T_A \leq 125^\circ\text{C}$		4.5	5	5.5	VDC
V_{DD}			2.7	3.3	3.6	
I_{CC}	Supply current ⁽⁹⁾	$f_S = 48\text{ kHz}, 96\text{ kHz}, -40^\circ\text{C} \leq T_A \leq 125^\circ\text{C}^{(10)}$		8.6	11	mA
		Powered down ⁽¹¹⁾		1		μA
I_{DD}	Supply current ⁽⁹⁾	$f_S = 48\text{ kHz}$	at 25°C	5.9	8	mA
			$-40^\circ\text{C} \leq T_A \leq 125^\circ\text{C}$	5.9	10	
		$f_S = 96\text{ kHz}^{(10)}$		10.2		mA
		Powered down ⁽¹¹⁾		150		μA
Power dissipation ⁽⁹⁾		$f_S = 48\text{ kHz}$		62	81	mW
		$f_S = 96\text{ kHz}^{(10)}$		77		
		Powered down ⁽¹¹⁾		500		μW
TEMPERATURE RANGE						
T_A	Operation temperature		-40		125	$^\circ\text{C}$
θ_{JA}	Thermal resistance			170		$^\circ\text{C}/\text{W}$

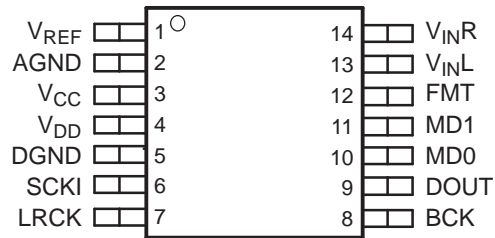
(9) Minimum load on LRCK (pin 7), BCK (pin 8), DOUT (pin 9)

(10) $f_S = 96\text{ kHz}$, system clock = $256 f_S$.

(11) Power-down and reset functions enabled by halting SCKI, BCK, LRCK.

PIN ASSIGNMENTS

PW PACKAGE
(TOP VIEW)



P0032-02

TERMINAL FUNCTIONS

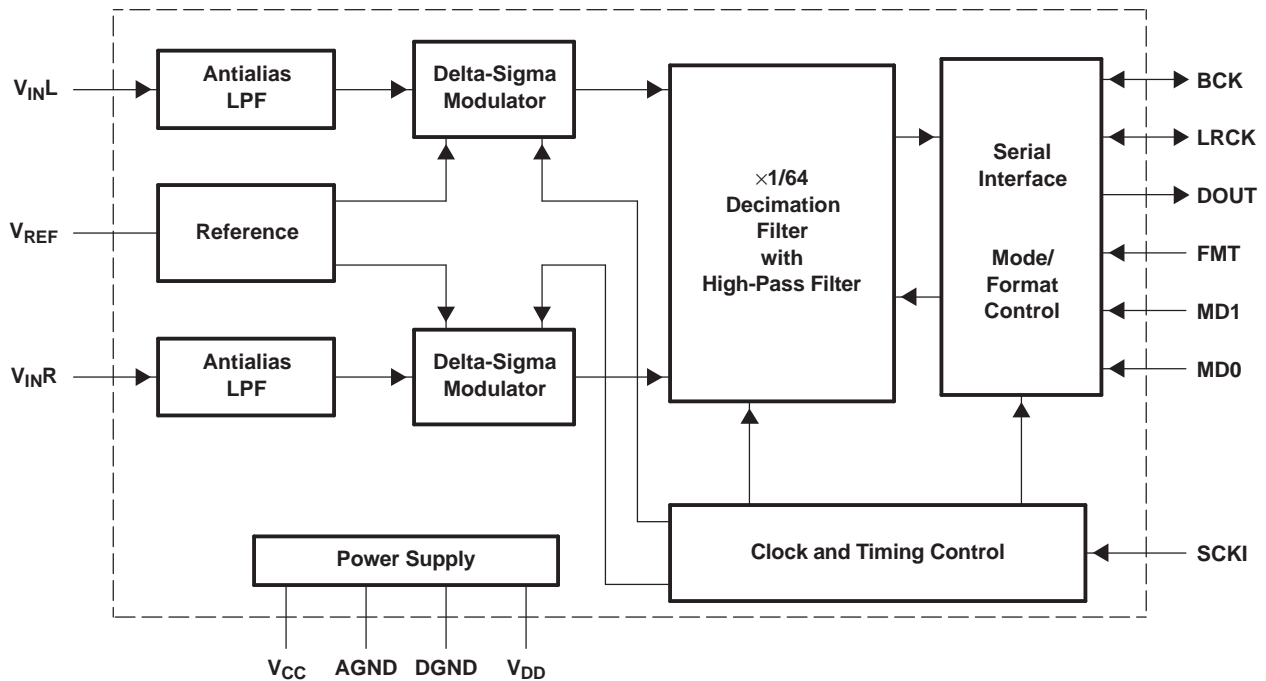
TERMINAL NAME		PIN	I/O	DESCRIPTION
AGND	2	–	–	Analog GND
BCK	8	I/O	I/O	Audio data bit clock input/output ⁽¹⁾
DGND	5	–	–	Digital GND
DOUT	9	O	O	Audio data digital output
FMT	12	I	I	Audio interface format select ⁽²⁾
LRCK	7	I/O	I/O	Audio data latch enable input/output ⁽¹⁾
MD0	10	I	I	Audio interface mode select 0 ⁽²⁾
MD1	11	I	I	Audio interface mode select 1 ⁽²⁾
SCKI	6	I	I	System clock input; 256 f _S , 384 f _S or 512 f _S ⁽³⁾
V _{CC}	3	–	–	Analog power supply, 5-V
V _{DD}	4	–	–	Digital power supply, 3.3-V
V _{INL}	13	I	I	Analog input, L-channel
V _{INR}	14	I	I	Analog input, R-channel
V _{REF}	1	–	–	Reference voltage decoupling (= 0.5 V _{CC})

(1) Schmitt-trigger input with internal pulldown (50-kΩ, typical)

(2) Schmitt-trigger input with internal pulldown (50-kΩ, typical), 5-V tolerant

(3) Schmitt-trigger input, 5-V tolerant

Functional Block Diagram



B0004-10

TYPICAL PERFORMANCE CURVES OF INTERNAL FILTERS

All specifications at $T_A = 25^\circ\text{C}$, $V_{CC} = 5\text{ V}$, $V_{DD} = 3.3\text{ V}$, master mode, $f_S = 48\text{ kHz}$, system clock = $512 f_S$, 24-bit data, unless otherwise noted.

DECIMATION FILTER FREQUENCY RESPONSE

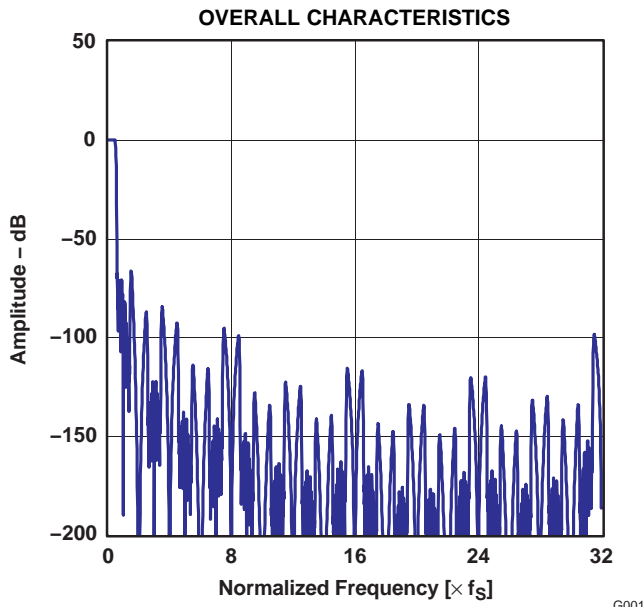


Figure 1.

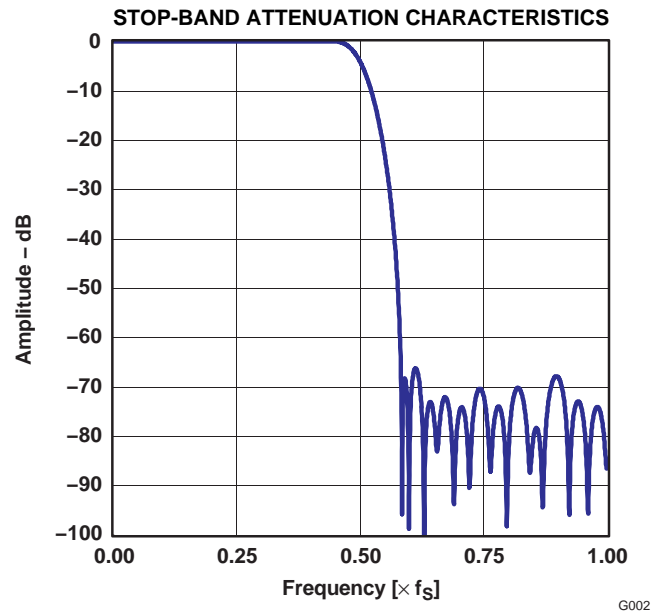


Figure 2.

TYPICAL PERFORMANCE CURVES OF INTERNAL FILTERS (Continued)

All specifications at $T_A = 25^\circ\text{C}$, $V_{CC} = 5\text{ V}$, $V_{DD} = 3.3\text{ V}$, master mode, $f_S = 48\text{ kHz}$, system clock = $512 f_S$, 24-bit data, unless otherwise noted.

DECIMATION FILTER FREQUENCY RESPONSE (Continued)

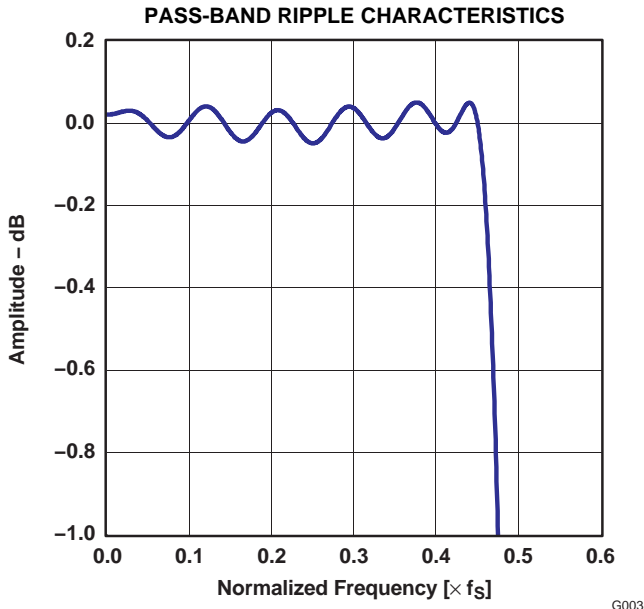


Figure 3.

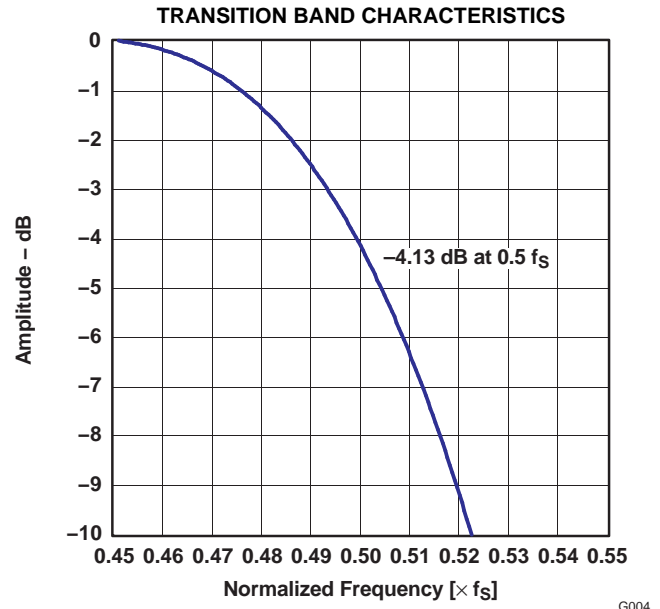


Figure 4.

HIGH-PASS FILTER FREQUENCY RESPONSE

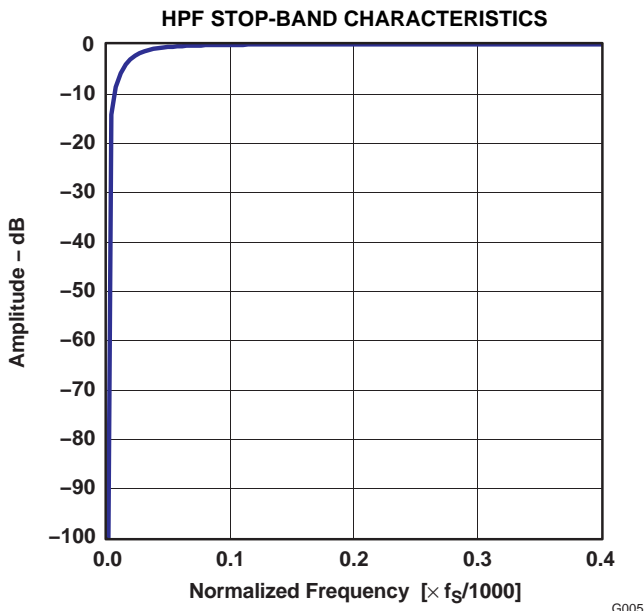


Figure 5.

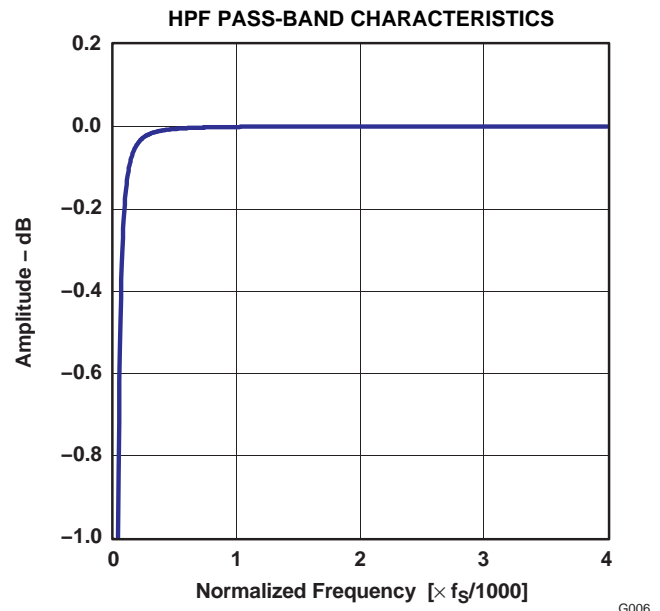


Figure 6.

TYPICAL PERFORMANCE CURVES

All specifications at $T_A = 25^\circ\text{C}$, $V_{CC} = 5\text{ V}$, $V_{DD} = 3.3\text{ V}$, master mode, $f_s = 48\text{ kHz}$, system clock = $512 f_s$, 24-bit data, unless otherwise noted.

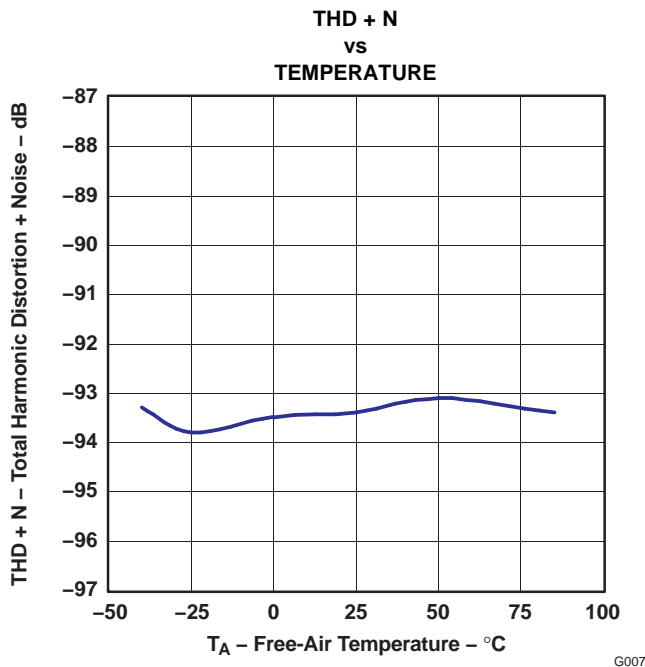


Figure 7.

G007

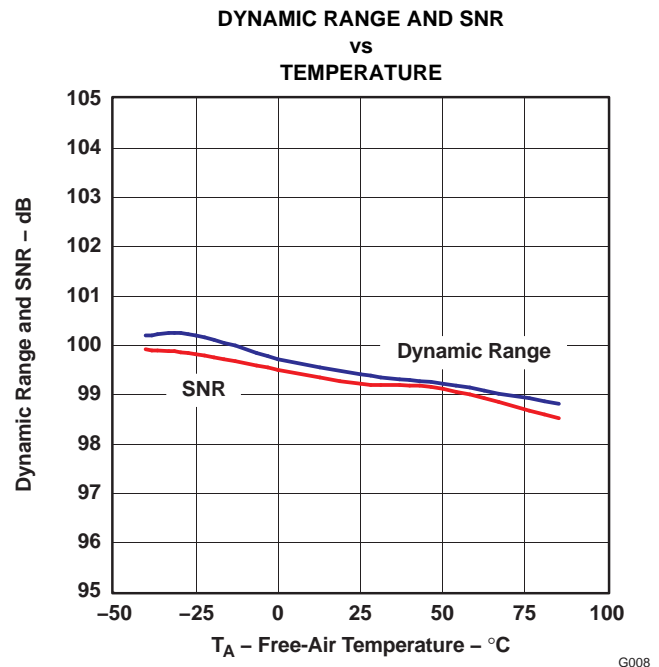


Figure 8.

G008

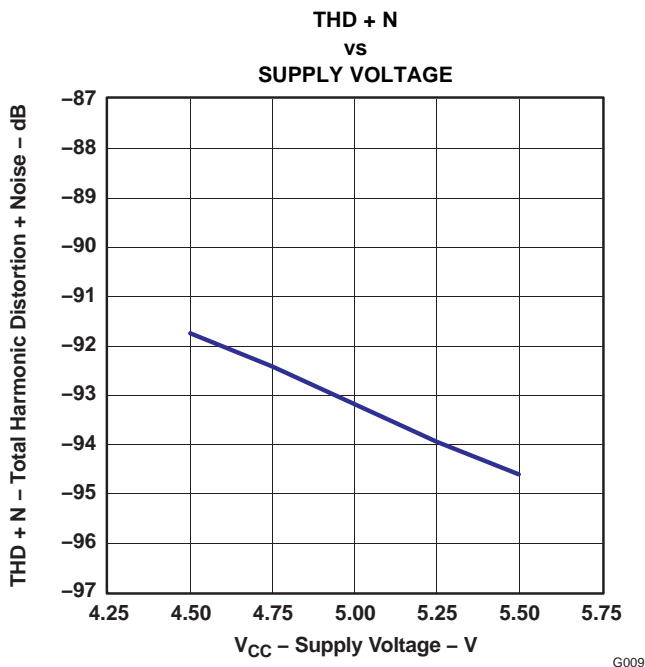


Figure 9.

G009

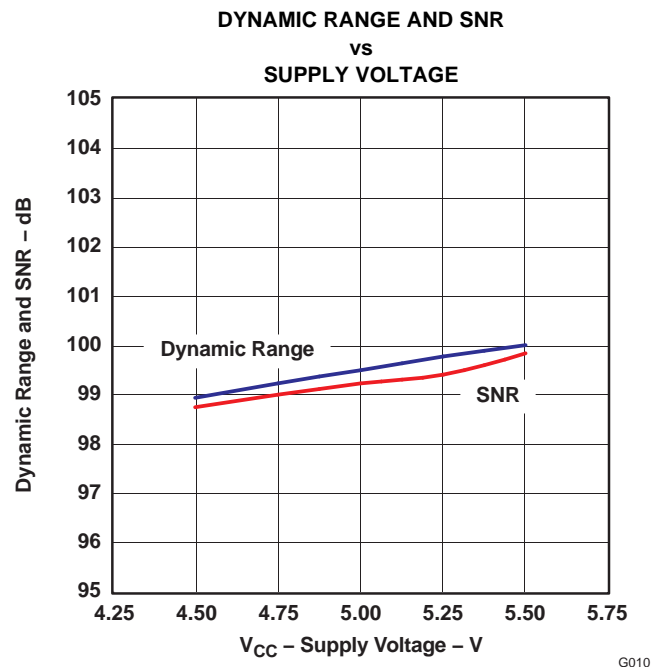


Figure 10.

G010

TYPICAL PERFORMANCE CURVES (Continued)

All specifications at $T_A = 25^\circ\text{C}$, $V_{CC} = 5\text{ V}$, $V_{DD} = 3.3\text{ V}$, master mode, $f_S = 48\text{ kHz}$, system clock = $512 f_S$, 24-bit data, unless otherwise noted.

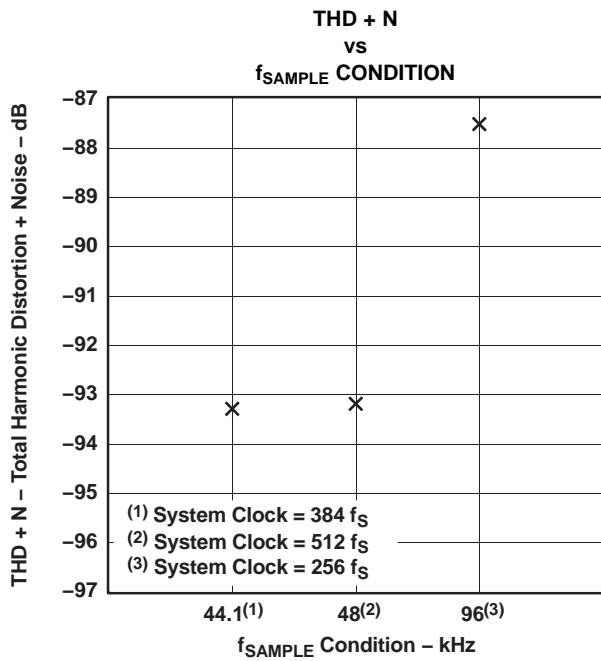


Figure 11.

G011

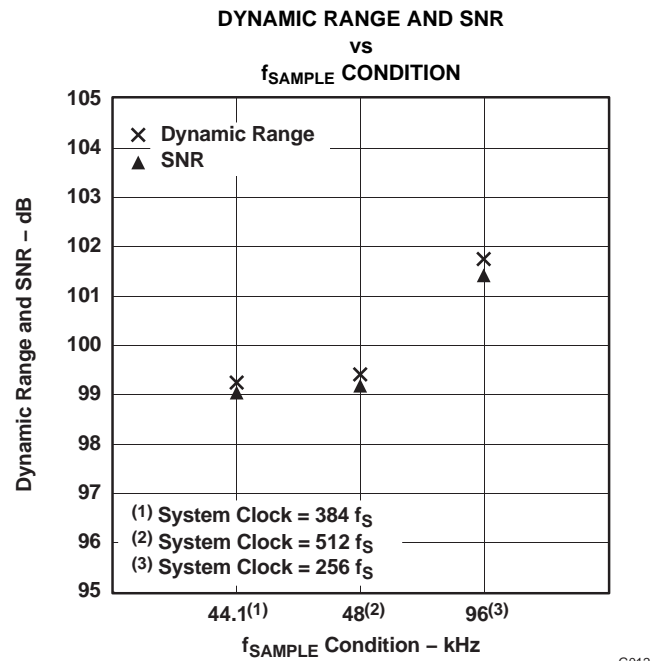


Figure 12.

G012

OUTPUT SPECTRUM

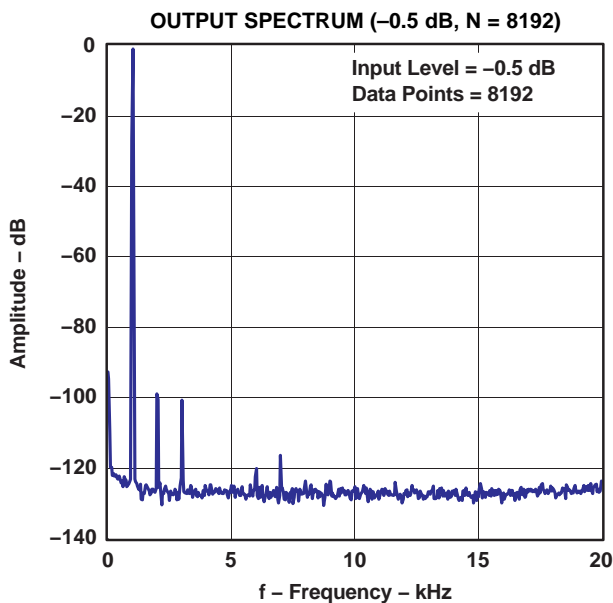


Figure 13.

G013

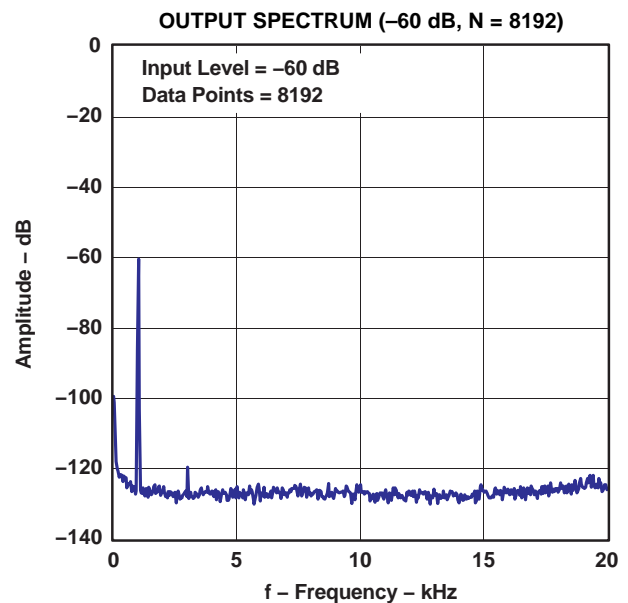


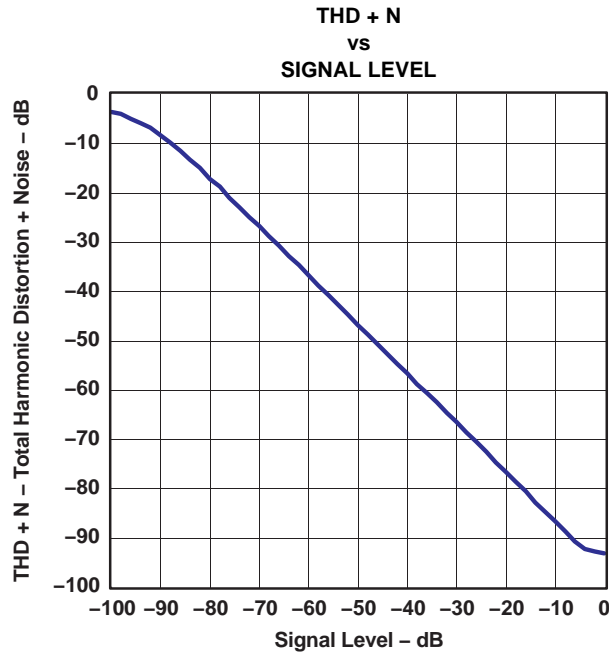
Figure 14.

G014

TYPICAL PERFORMANCE CURVES (Continued)

All specifications at $T_A = 25^\circ\text{C}$, $V_{CC} = 5\text{ V}$, $V_{DD} = 3.3\text{ V}$, master mode, $f_S = 48\text{ kHz}$, system clock = $512 f_S$, 24-bit data, unless otherwise noted.

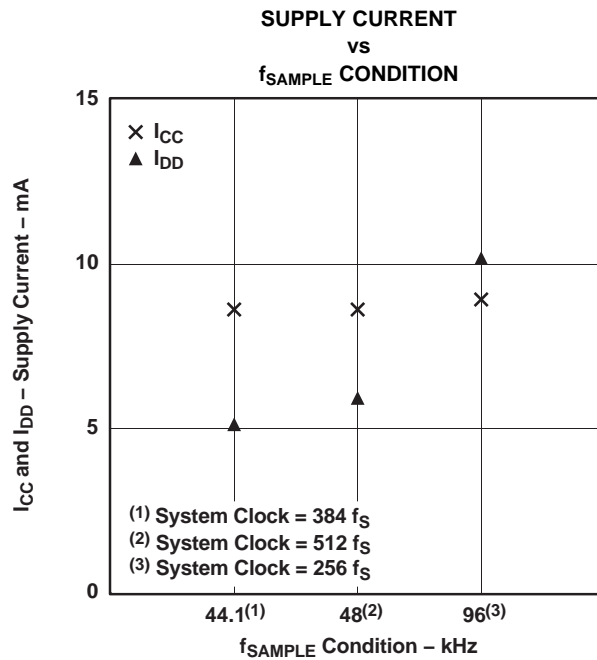
OUTPUT SPECTRUM (Continued)



G015

Figure 15.

SUPPLY CURRENT



G016

Figure 16.

SYSTEM CLOCK

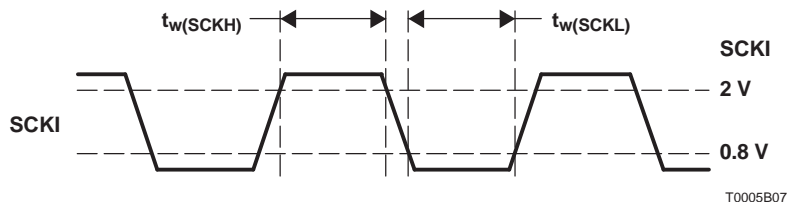
The PCM1808-Q1 supports $256 f_s$, $384 f_s$ and $512 f_s$ as system clock, where f_s is the audio sampling frequency. The system clock must be supplied on SCKI (pin 6).

The PCM1808-Q1 has a system clock detection circuit which automatically senses if the system clock is operating at $256 f_s$, $384 f_s$, or $512 f_s$ in slave mode. In master mode, the system clock frequency must be controlled through the serial control port, which uses MD1 (pin 111) and MD0 (pin 10). The system clock is divided down automatically to generate frequencies of $128 f_s$ and $64 f_s$, which are used to operate the digital filter and the delta-sigma modulator, respectively.

Table 1 shows some typical relationships between sampling frequency and system clock frequency, and Figure 17 shows system clock timing.

Table 1. Sampling Frequency and System Clock Frequency

SAMPLING FREQUENCY (kHz)	SYSTEM CLOCK FREQUENCY (f_{SCLK}) (MHz)		
	$256 f_s$	$384 f_s$	$512 f_s$
8	2.048	3.072	4.096
16	4.096	6.144	8.192
32	8.192	12.288	16.384
44.1	11.2896	16.9344	22.5792
48	12.288	18.432	24.576
64	16.384	24.576	32.768
88.2	22.5792	33.8688	45.1584
96	24.576	36.864	49.152

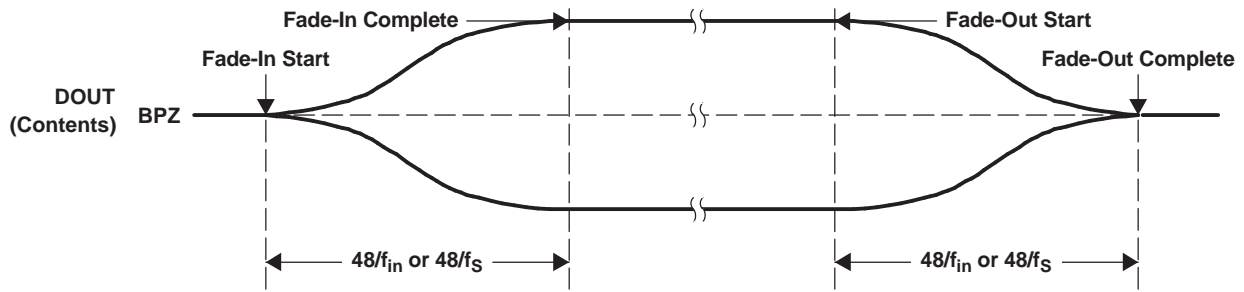


SYMBOL	PARAMETER	MIN	MAX	UNIT
$t_w(SCKH)$	System clock pulse duration, HIGH	8		ns
$t_w(SCKL)$	System clock pulse duration, LOW	8		ns
	System clock duty cycle	40%	60%	

Figure 17. System Clock Timing

FADE-IN AND FADE-OUT FUNCTIONS

The PCM1808-Q1 has fade-in and fade-out functions on DOUT (pin 9) to avoid pop noise, and the functions come into operation in some cases as described in several following sections. The level changes from 0 dB to mute or mute to 0 dB are performed using calculated pseudo S-shaped characteristics with zero-cross detection. Because of the zero-cross detection, the time needed for the fade in and fade out depends on the analog input frequency (f_{in}). It takes $48/f_{in}$ until processing is completed. If there is no zero cross during $8192/f_s$, DOUT is faded in or out by force during $48/f_s$ (TIME OUT). Figure 18 illustrates the fade-in and fade-out operation processing.

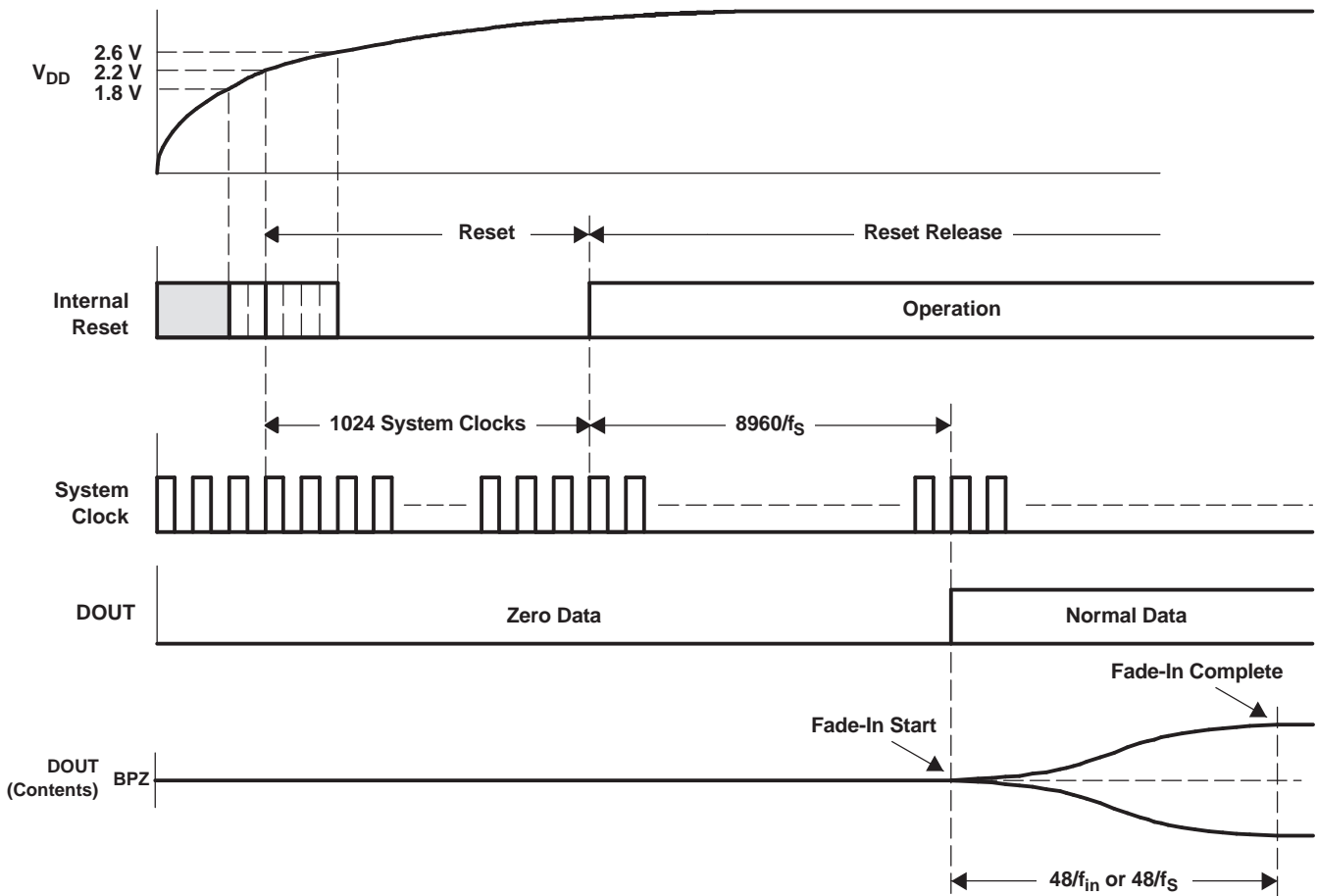


T0080-01

Figure 18. Fade-In and Fade-Out Operations

POWER ON

The PCM1808-Q1 has an internal power-on-reset circuit, and initialization (reset) is performed automatically when the power supply (V_{DD}) exceeds 2.2 V (typical). While $V_{DD} < 2.2$ V (typical), and for 1024 system-clock counts after $V_{DD} > 2.2$ V (typical), the PCM1808-Q1 stays in the reset state and the digital output is forced to zero. The digital output is valid after the reset state is released and the time of $8960/f_s$ has elapsed. Because the fade-in operation is performed, it takes additional time of $48/f_{in}$ or $48/f_s$ until the data corresponding to the analog input signal is obtained. Figure 19 illustrates the power-on timing and the digital output.



T0014-09

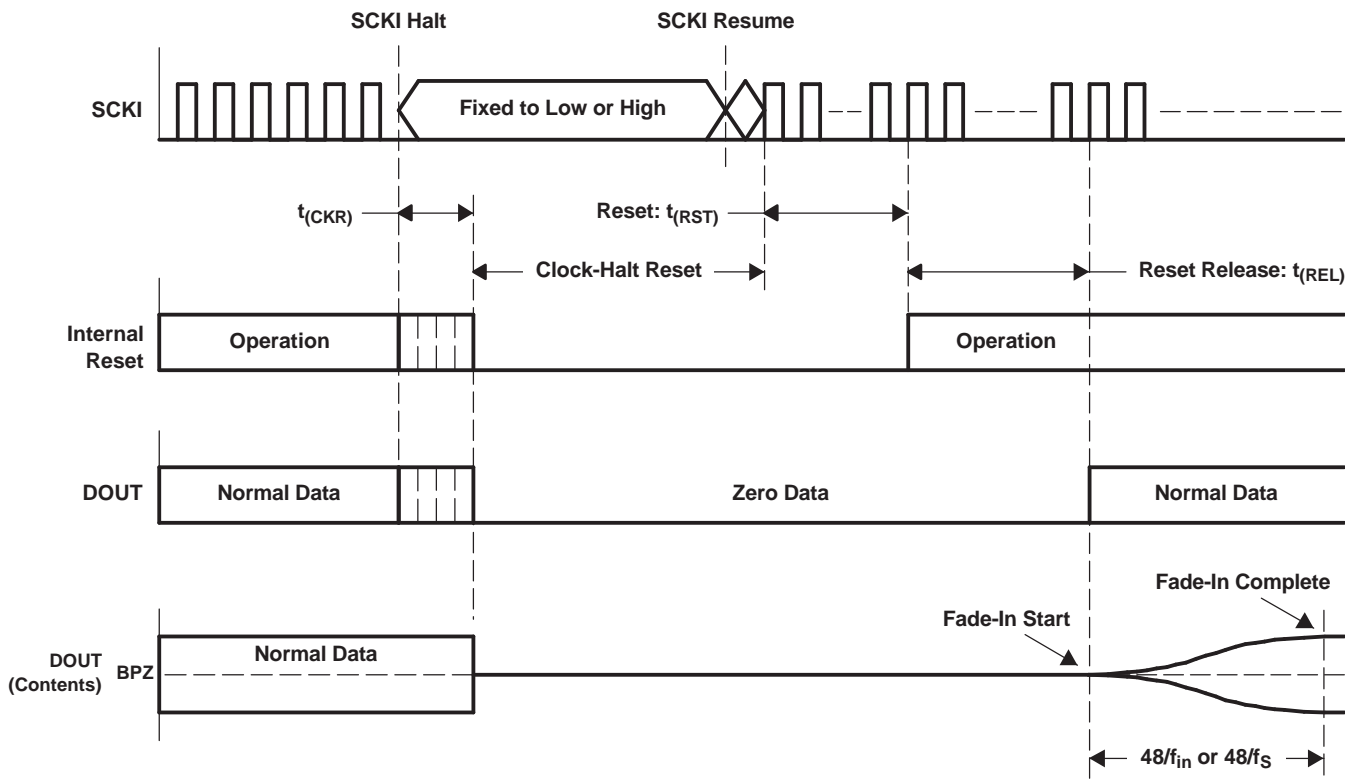
Figure 19. Power-On Timing

CLOCK-HALT POWER-DOWN AND RESET FUNCTION

The PCM1808-Q1 has a power-down and reset function, which is triggered by halting SCKI (pin 6) in both master and slave modes. The function is available anytime after power on. Reset and power down are performed automatically 4 μ s (minimum) after SCKI is halted. While the clock-halt reset is asserted, the PCM1808-Q1 stays in the reset and power-down mode, and DOUT (pin 9) is forced to zero. SCKI must be supplied to release the reset and power-down mode. The digital output is valid after the reset state is released and the time of 1024 SCKI + 8960/ f_s has elapsed. Because the fade-in operation is performed, it takes additional time of 48/ f_{in} or 48/ f_s until the level corresponding to the analog input signal is obtained. Figure 20 illustrates the clock-halt reset timing.

To avoid ADC performance degradation, BCK (pin 8) and LRCK (pin 7) are required to synchronize with SCKI within 4480/ f_s after SCKI is resumed. If it takes more than 4480/ f_s for BCK and LRCK to synchronize with SCKI, SCKI should be masked until the synchronization is achieved again, taking care of glitch and jitter. See the typical circuit connection diagram, Figure 26.

To avoid ADC performance degradation, the clock-halt reset also should be asserted when system clock SCKI or the audio interface clocks BCK and LRCK (sampling rate f_s) are changed on the fly.



T0081-01

SYMBOL	PARAMETER	MIN	MAX	UNIT
$t_{(CKR)}$	Delay time from SCKI halt to internal reset	4		μ s
$t_{(RST)}$	Delay time from SCKI resume to reset release		1024 SCKI	μ s
$t_{(REL)}$	Delay time from reset release to DOUT output		8960/ f_s	μ s

Figure 20. Clock-Halt Power-Down and Reset Timing

SERIAL AUDIO DATA INTERFACE

The PCM1808-Q1 interfaces the audio system through LRCK (pin 7), BCK (pin 8), and DOUT (pin 9).

INTERFACE MODE

The PCM1808-Q1 supports master mode and slave mode as interface modes, which are selected by MD1 (pin 11) and MD0 (pin 10), as shown in [Table 2](#). MD1 and MD0 must be set prior to power on.

In master mode, the PCM1808-Q1 provides the timing of serial audio data communications between the PCM1808-Q1 and the digital audio processor or external circuit. While in slave mode, the PCM1808-Q1 receives the timing for data transfer from an external controller.

Table 2. Interface Modes

MD1 (Pin 11)	MD0 (Pin 10)	INTERFACE MODE
Low	Low	Slave mode (256 f _S , 384 f _S , 512 f _S autodetection)
Low	High	Master mode (512 f _S)
High	Low	Master mode (384 f _S)
High	High	Master mode (256 f _S)

Master mode

In master mode, BCK and LRCK work as output pins, and these pins are controlled by timing which is generated in the clock circuit of the PCM1808-Q1. The frequency of BCK is fixed at 64 BCK/frame.

Slave mode

In slave mode, BCK and LRCK work as input pins. The PCM1808-Q1 accepts 64-BCK/frame or 48-BCK/frame format (only for a 384-f_S system clock), not 32-BCK/frame format.

DATA FORMAT

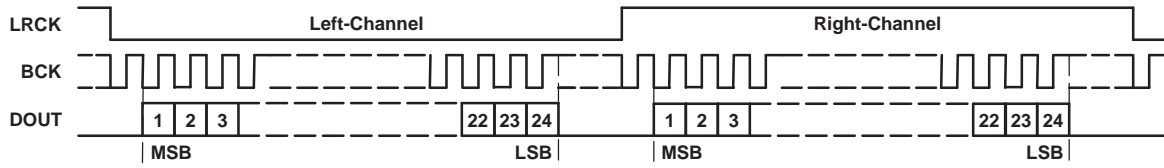
The PCM1808-Q1 supports two audio data formats in both master and slave modes. The data formats are selected by FMT (pin 12), as shown in [Table 3](#). [Figure 21](#) illustrates the data formats in slave mode and master mode.

Table 3. Data Format

FORMAT NO.	FMT (Pin 12)	FORMAT
0	Low	I ² S, 24-bit
1	High	Left-justified, 24-bit

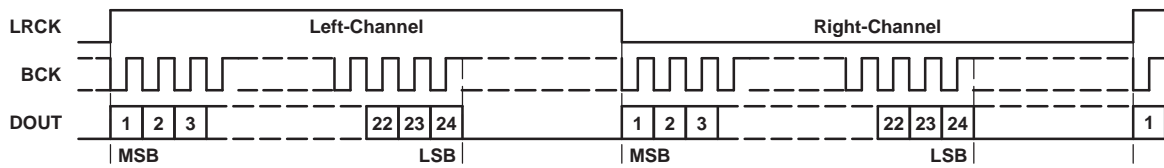
FORMAT 0: FMT = LOW

24-Bit, MSB-First, I²S



FORMAT 1: FMT = HIGH

24-Bit, MSB-First, Left-Justified

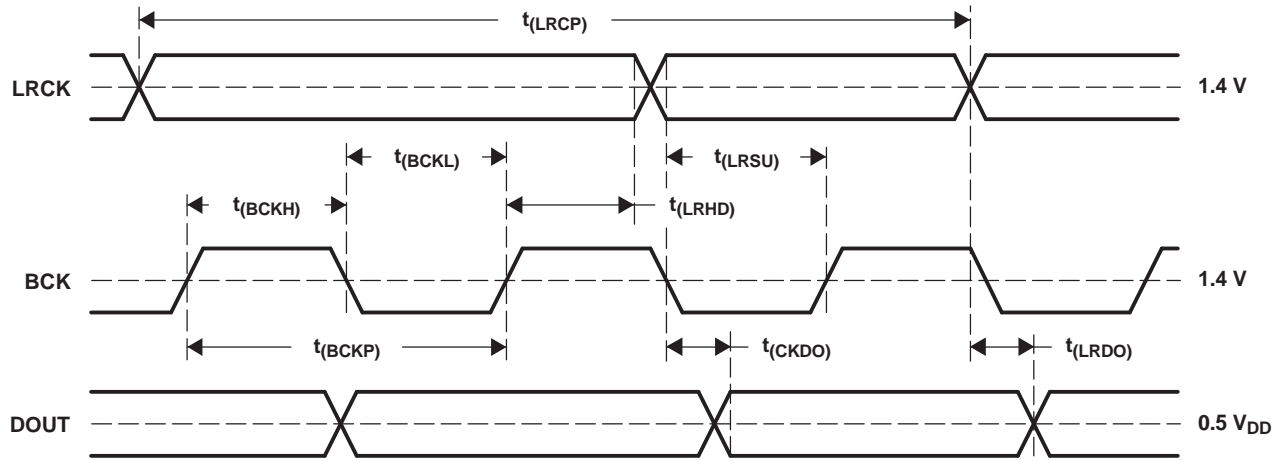


T0016-17

Figure 21. Audio Data Format (LRCK and BCK Work as Inputs in Slave Mode and as Outputs in Master Mode)

INTERFACE TIMING

Figure 22 and Figure 23 illustrate the interface timing in slave mode and master mode, respectively.

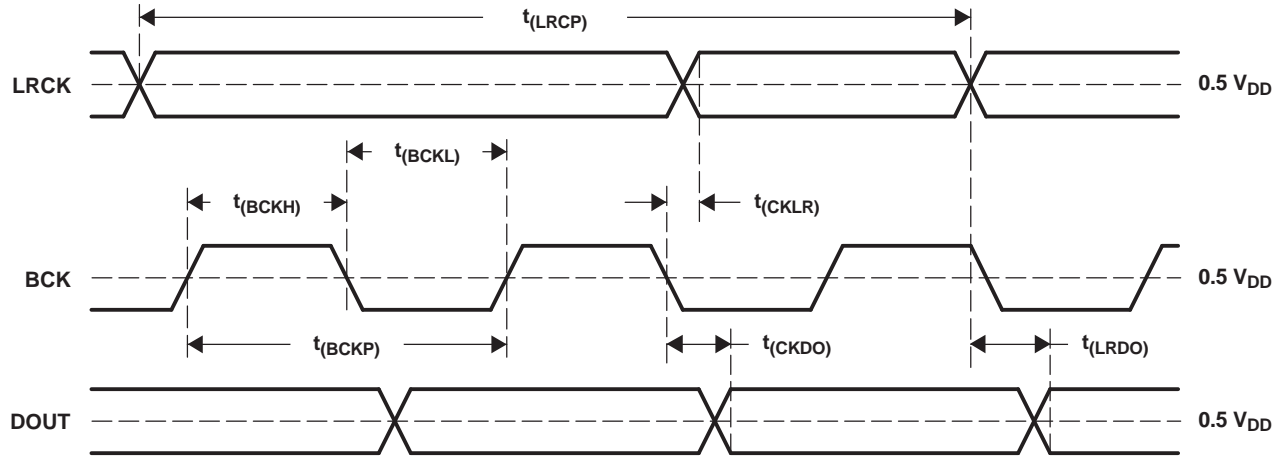


T0017-02

SYMBOL	PARAMETER	MIN	TYP	MAX	UNIT
$t_{(BCKP)}$	BCK period	$1/(64 f_S)$			ns
$t_{(BCKH)}$	BCK pulse duration, HIGH	$1.5 \times t_{(SCKI)}$			ns
$t_{(BCKL)}$	BCK pulse duration, LOW	$1.5 \times t_{(SCKI)}$			ns
$t_{(LRSU)}$	LRCK setup time to BCK rising edge	50			ns
$t_{(LRHD)}$	LRCK hold time to BCK rising edge	10			ns
$t_{(LRCP)}$	LRCK period	10			μs
$t_{(CKDO)}$	Delay time, BCK falling edge to DOUT valid	-10		40	ns
$t_{(LRDO)}$	Delay time, LRCK edge to DOUT valid	-10		40	ns
t_r	Rise time of all signals			20	ns
t_f	Fall time of all signals			20	ns

NOTE: Timing measurement reference level is 1.4 V for input and 0.5 V_{DD} for output. Rise and fall times are from 10% to 90% of the input/output signal swing. Load capacitance of DOUT is 20 pF. $t_{(SCKI)}$ is the SCKI period.

Figure 22. Audio Data Interface Timing (Slave Mode: LRCK and BCK Work as Inputs)

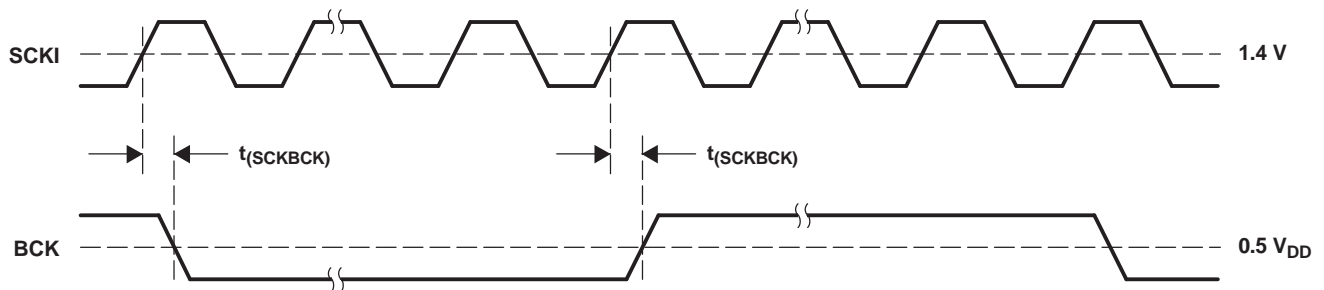


T0018-02

SYMBOL	PARAMETER	MIN	TYP	MAX	UNIT
$t_{(BCKP)}$	BCK period	150	$1/(64 f_s)$	2000	ns
$t_{(BCKH)}$	BCK pulse duration, HIGH	65		1200	ns
$t_{(BCKL)}$	BCK pulse duration, LOW	65		1200	ns
$t_{(CLRL)}$	Delay time, BCK falling edge to LRPC valid	-10		20	ns
$t_{(LRCP)}$	LRCK period	10	$1/f_s$	125	μs
$t_{(CLDO)}$	Delay time, BCK falling edge to DOUT valid	-10		20	ns
$t_{(LRDO)}$	Delay time, LRCK edge to DOUT valid	-10		20	ns
t_r	Rise time of all signals			20	ns
t_f	Fall time of all signals			20	ns

NOTE: Timing measurement reference level is $0.5 V_{DD}$. Rise and fall times are from 10% to 90% of the input/output signal swing. Load capacitance of all signals is 20 pF.

Figure 23. Audio Data Interface Timing (Master Mode: LRPC and BCK Work as Outputs)



T0074-01

SYMBOL	PARAMETER	MIN	TYP	MAX	UNIT
$t_{(SCKBCK)}$	Delay time, SCKI rising edge to BCK edge	5		30	ns

NOTE: Timing measurement reference level is 1.4 V for input and $0.5 V_{DD}$ for output. Load capacitance of BCK is 20 pF. This timing is applied when SCKI frequency is less than 25 MHz.

Figure 24. Audio Clock Interface Timing (Master Mode: BCK Works as Output)

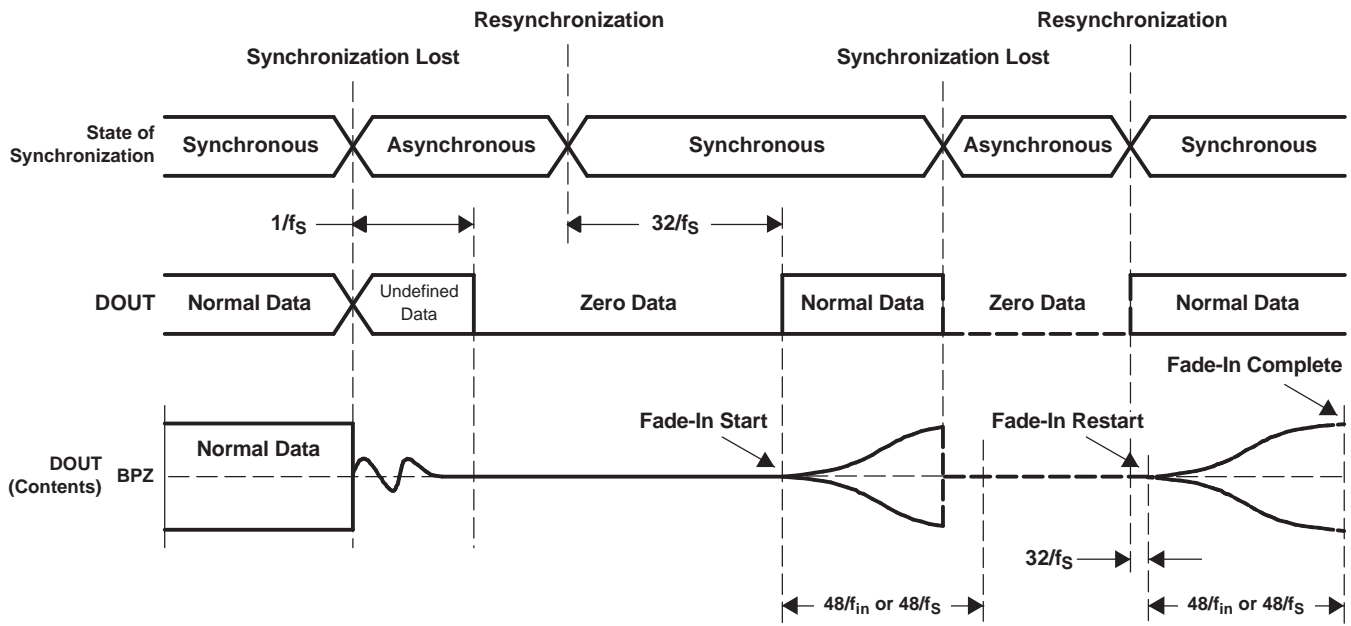
SYNCHRONIZATION WITH DIGITAL AUDIO SYSTEM

In slave mode, the PCM1808-Q1 operates under LRCK (pin 7), synchronized with system clock SCKI (pin 6). The PCM1808-Q1 does not require a specific phase relationship between LRCK and SCKI, but does require the synchronization of LRCK and SCKI.

If the relationship between LRCK and SCKI changes more than ± 6 BCKs for 64 BCK/frame (± 5 BCKs for 48 BCK/frame) during one sample period due to LRCK or SCKI jitter, internal operation of the ADC halts within $1/f_s$ and digital output is forced to zero data (BPZ code) until resynchronization between LRCK and SCKI is established.

In the case of changes less than ± 5 BCKs for 64 BCK/frame (± 4 BCKs for 48 BCK/frame), resynchronization does not occur and the previously described digital output control and discontinuity do not occur.

Figure 25 illustrates the digital output response for loss of synchronization and resynchronization. During undefined data, the PCM1808-Q1 can generate some noise in the audio signal. Also, the transition of normal data to undefined data creates a discontinuity in the digital output data, which can generate some noise in the audio signal. The digital output is valid after resynchronization completes and the time of $32/f_s$ has elapsed. Because the fade-in operation is performed, it takes additional time of $48/f_{in}$ or $48/f_s$ until the level corresponding to the analog input signal is obtained. If synchronization is lost during the fade-in or fade-out operation, the operation stops and DOUT (pin 9) is forced to zero data immediately. The fade-in operation resumes from mute after the time of $32/f_s$ following resynchronization.



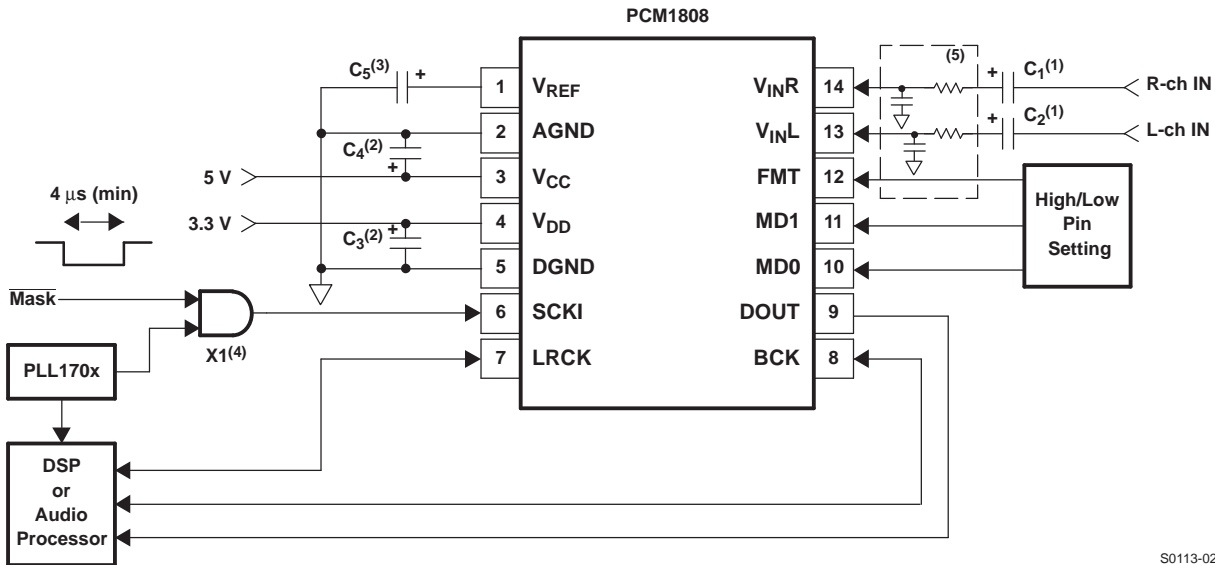
T0082-01

Figure 25. ADC Digital Output for Loss of Synchronization and Resynchronization

APPLICATION INFORMATION

TYPICAL CIRCUIT CONNECTION DIAGRAM

Figure 26 is a typical circuit connection diagram. The antialiasing low-pass filters are integrated on the analog inputs, V_{INL} and V_{INR} . If the performance of these filters is not adequate for an application, appropriate external antialiasing filters are needed. A passive RC filter (100 Ω and 0.01 μF to 1 k Ω and 1000 pF) generally is used.



S0113-02

- (1) C1, C2: A 1- μF electrolytic capacitor gives 2.7 Hz ($\tau = 1 \mu\text{F} \times 60 \text{ k}\Omega$) cutoff frequency for the input HPF in normal operation and requires a power-on settling time with a 60-ms time constant in the power-on initialization period.
- (2) C3, C4: Bypass capacitors, 0.1- μF ceramic and 10- μF electrolytic, depending on layout and power supply
- (3) C5: 0.1- μF ceramic and 10- μF electrolytic capacitors are recommended.
- (4) X1: X1 masks the system clock input when using the clock-halt reset function with external control.
- (5) Optional external antialiasing filter could be required, depending on the application.

Figure 26. Typical Circuit Connection Diagram

BOARD DESIGN AND LAYOUT CONSIDERATIONS

V_{CC} , V_{DD} PINS

The digital and analog power supply lines to the PCM1808-Q1 should be bypassed to the corresponding ground pins with both 0.1- μF ceramic and 10- μF electrolytic capacitors as close to the pins as possible to maximize the dynamic performance of the ADC.

AGND, DGND PINS

To maximize the dynamic performance of the PCM1808-Q1, the analog and digital grounds are not internally connected. These grounds should have low impedance to avoid digital noise feedback into the analog ground. They should be connected directly to each other under the PCM1808-Q1 package to reduce potential noise problems.

V_{INL} , V_{INR} PINS

V_{INL} and V_{INR} are single-ended inputs. The antialias low-pass filters are integrated on these inputs to remove the high-frequency noise outside the audio band. If the performance of these filters is not adequate for an application, appropriate external antialiasing filters are required. A passive RC filter (100 Ω and 0.01 μF to 1 k Ω and 1000 pF) is generally used.

V_{REF} PIN

To ensure low source impedance of the ADC references, 0.1- μ F ceramic and 10- μ F electrolytic capacitors are recommended between V_{REF} and AGND. These capacitors should be located as close as possible to the V_{REF} pin to reduce dynamic errors on the ADC references.

DOUT PIN

The DOUT pin has a large load-drive capability, but if the DOUT line is long, locating a buffer near the PCM1808-Q1 and minimizing load capacitance is recommended to minimize the digital-analog crosstalk and maximize the dynamic performance of the ADC.

SYSTEM CLOCK

The quality of the system clock can influence dynamic performance, as the PCM1808-Q1 operates based on a system clock. Therefore, it may be necessary to consider the system clock duty, jitter, and the time difference between system clock transition and BCK or LRCK transition in slave mode.

REVISION HISTORY

Changes from Original (March, 2011) to Revision A	Page
• ROC CHANGES: Added 2.93 min and 3.23 max to analog input voltage row	2
• ELEC CHAR CHANGES: Added $-40^{\circ}\text{C} \leq T_A \leq 125^{\circ}\text{C}$ to the header for DC accuracy and the rows for system clock frequency, input logic level, and output logic level	3
• Added test condition row to $V_{IN} = V_{DD}$ (input logic current) at $-40^{\circ}\text{C} \leq T_A \leq 125^{\circ}\text{C}$ with typ value 65 and max value 150	3
• Added test condition row to $I_{OUT} = -4$ mA (output logic level) at $-40^{\circ}\text{C} \leq T_A \leq 125^{\circ}\text{C}$ with a min value of 2.7; added test condition of 25°C with min value of 2.8	3
• Added test condition of 25°C to $V_{IN} = -0.5$ dB, $f_S = 48$ kHz (THD + N) with max value of -87 , and added row with test condition of $-40^{\circ}\text{C} \leq T_A \leq 125^{\circ}\text{C}$ and max value -85	3
• Added test condition 25°C and min value of 95; added test condition row for $-40^{\circ}\text{C} \leq T_A \leq 125^{\circ}\text{C}$ with min value of 93 to $f_S = 48$ kHz, A-weighted row (dynamic range and signal-to-noise)	3
• Added test condition 25°C and min value of 93; added test condition row for $-40^{\circ}\text{C} \leq T_A \leq 125^{\circ}\text{C}$ with min value of 91 to $f_S = 48$ kHz (channel separation)	4
• Added min value $0.58 V_{CC}$ and max value $0.65 V_{CC}$ to input voltage; added $0.2 V_{CC}$ min and $0.8 V_{CC}$ max to center voltage; changed center voltage Vref to center voltage input range	4
• Added $-40^{\circ}\text{C} \leq T_A \leq 125^{\circ}\text{C}$ to input voltage, center voltage, digital filter performance header, supply current, and voltage range rows	4
• Added test condition row with $-40^{\circ}\text{C} \leq T_A \leq 125^{\circ}\text{C}$ to $f_S = 48$ kHz (supply current) with a typ value of 5.9 and a max value of 10	4

PACKAGING INFORMATION

Orderable Device	Status ⁽¹⁾	Package Type	Package Drawing	Pins	Package Qty	Eco Plan ⁽²⁾	Lead/ Ball Finish	MSL Peak Temp ⁽³⁾	Samples (Requires Login)
PCM1808QPWRQ1	ACTIVE	TSSOP	PW	14	2000	Green (RoHS & no Sb/Br)	CU NIPDAU	Level-3-260C-168 HR	

⁽¹⁾ The marketing status values are defined as follows:

ACTIVE: Product device recommended for new designs.

LIFEBUY: TI has announced that the device will be discontinued, and a lifetime-buy period is in effect.

NRND: Not recommended for new designs. Device is in production to support existing customers, but TI does not recommend using this part in a new design.

PREVIEW: Device has been announced but is not in production. Samples may or may not be available.

OBSOLETE: TI has discontinued the production of the device.

⁽²⁾ Eco Plan - The planned eco-friendly classification: Pb-Free (RoHS), Pb-Free (RoHS Exempt), or Green (RoHS & no Sb/Br) - please check <http://www.ti.com/productcontent> for the latest availability information and additional product content details.

TBD: The Pb-Free/Green conversion plan has not been defined.

Pb-Free (RoHS): TI's terms "Lead-Free" or "Pb-Free" mean semiconductor products that are compatible with the current RoHS requirements for all 6 substances, including the requirement that lead not exceed 0.1% by weight in homogeneous materials. Where designed to be soldered at high temperatures, TI Pb-Free products are suitable for use in specified lead-free processes.

Pb-Free (RoHS Exempt): This component has a RoHS exemption for either 1) lead-based flip-chip solder bumps used between the die and package, or 2) lead-based die adhesive used between the die and leadframe. The component is otherwise considered Pb-Free (RoHS compatible) as defined above.

Green (RoHS & no Sb/Br): TI defines "Green" to mean Pb-Free (RoHS compatible), and free of Bromine (Br) and Antimony (Sb) based flame retardants (Br or Sb do not exceed 0.1% by weight in homogeneous material)

⁽³⁾ MSL, Peak Temp. -- The Moisture Sensitivity Level rating according to the JEDEC industry standard classifications, and peak solder temperature.

Important Information and Disclaimer: The information provided on this page represents TI's knowledge and belief as of the date that it is provided. TI bases its knowledge and belief on information provided by third parties, and makes no representation or warranty as to the accuracy of such information. Efforts are underway to better integrate information from third parties. TI has taken and continues to take reasonable steps to provide representative and accurate information but may not have conducted destructive testing or chemical analysis on incoming materials and chemicals. TI and TI suppliers consider certain information to be proprietary, and thus CAS numbers and other limited information may not be available for release.

In no event shall TI's liability arising out of such information exceed the total purchase price of the TI part(s) at issue in this document sold by TI to Customer on an annual basis.

OTHER QUALIFIED VERSIONS OF PCM1808-Q1 :

- Catalog: [PCM1808](#)

NOTE: Qualified Version Definitions:

- Catalog - TI's standard catalog product

TAPE AND REEL INFORMATION
REEL DIMENSIONS

TAPE DIMENSIONS


A0	Dimension designed to accommodate the component width
B0	Dimension designed to accommodate the component length
K0	Dimension designed to accommodate the component thickness
W	Overall width of the carrier tape
P1	Pitch between successive cavity centers

TAPE AND REEL INFORMATION

*All dimensions are nominal

Device	Package Type	Package Drawing	Pins	SPQ	Reel Diameter (mm)	Reel Width W1 (mm)	A0 (mm)	B0 (mm)	K0 (mm)	P1 (mm)	W (mm)	Pin1 Quadrant
PCM1808QPWRQ1	TSSOP	PW	14	2000	330.0	12.4	6.9	5.6	1.6	8.0	12.0	Q1

TAPE AND REEL BOX DIMENSIONS


*All dimensions are nominal

Device	Package Type	Package Drawing	Pins	SPQ	Length (mm)	Width (mm)	Height (mm)
PCM1808QPWRQ1	TSSOP	PW	14	2000	367.0	367.0	35.0

PW (R-PDSO-G14)

PLASTIC SMALL OUTLINE



- NOTES:
- All linear dimensions are in millimeters.
 - This drawing is subject to change without notice.
 - Publication IPC-7351 is recommended for alternate designs.
 - Laser cutting apertures with trapezoidal walls and also rounding corners will offer better paste release. Customers should contact their board assembly site for stencil design recommendations. Refer to IPC-7525 for other stencil recommendations.
 - Customers should contact their board fabrication site for solder mask tolerances between and around signal pads.

IMPORTANT NOTICE

Texas Instruments Incorporated and its subsidiaries (TI) reserve the right to make corrections, enhancements, improvements and other changes to its semiconductor products and services per JESD46C and to discontinue any product or service per JESD48B. Buyers should obtain the latest relevant information before placing orders and should verify that such information is current and complete. All semiconductor products (also referred to herein as "components") are sold subject to TI's terms and conditions of sale supplied at the time of order acknowledgment.

TI warrants performance of its components to the specifications applicable at the time of sale, in accordance with the warranty in TI's terms and conditions of sale of semiconductor products. Testing and other quality control techniques are used to the extent TI deems necessary to support this warranty. Except where mandated by applicable law, testing of all parameters of each component is not necessarily performed.

TI assumes no liability for applications assistance or the design of Buyers' products. Buyers are responsible for their products and applications using TI components. To minimize the risks associated with Buyers' products and applications, Buyers should provide adequate design and operating safeguards.

TI does not warrant or represent that any license, either express or implied, is granted under any patent right, copyright, mask work right, or other intellectual property right relating to any combination, machine, or process in which TI components or services are used. Information published by TI regarding third-party products or services does not constitute a license to use such products or services or a warranty or endorsement thereof. Use of such information may require a license from a third party under the patents or other intellectual property of the third party, or a license from TI under the patents or other intellectual property of TI.

Reproduction of significant portions of TI information in TI data books or data sheets is permissible only if reproduction is without alteration and is accompanied by all associated warranties, conditions, limitations, and notices. TI is not responsible or liable for such altered documentation. Information of third parties may be subject to additional restrictions.

Resale of TI components or services with statements different from or beyond the parameters stated by TI for that component or service voids all express and any implied warranties for the associated TI component or service and is an unfair and deceptive business practice. TI is not responsible or liable for any such statements.

Buyer acknowledges and agrees that it is solely responsible for compliance with all legal, regulatory and safety-related requirements concerning its products, and any use of TI components in its applications, notwithstanding any applications-related information or support that may be provided by TI. Buyer represents and agrees that it has all the necessary expertise to create and implement safeguards which anticipate dangerous consequences of failures, monitor failures and their consequences, lessen the likelihood of failures that might cause harm and take appropriate remedial actions. Buyer will fully indemnify TI and its representatives against any damages arising out of the use of any TI components in safety-critical applications.

In some cases, TI components may be promoted specifically to facilitate safety-related applications. With such components, TI's goal is to help enable customers to design and create their own end-product solutions that meet applicable functional safety standards and requirements. Nonetheless, such components are subject to these terms.

No TI components are authorized for use in FDA Class III (or similar life-critical medical equipment) unless authorized officers of the parties have executed a special agreement specifically governing such use.

Only those TI components which TI has specifically designated as military grade or "enhanced plastic" are designed and intended for use in military/aerospace applications or environments. Buyer acknowledges and agrees that any military or aerospace use of TI components which have **not** been so designated is solely at the Buyer's risk, and that Buyer is solely responsible for compliance with all legal and regulatory requirements in connection with such use.

TI has specifically designated certain components which meet ISO/TS16949 requirements, mainly for automotive use. Components which have not been so designated are neither designed nor intended for automotive use; and TI will not be responsible for any failure of such components to meet such requirements.

Products

Audio	www.ti.com/audio
Amplifiers	amplifier.ti.com
Data Converters	dataconverter.ti.com
DLP® Products	www.dlp.com
DSP	dsp.ti.com
Clocks and Timers	www.ti.com/clocks
Interface	interface.ti.com
Logic	logic.ti.com
Power Mgmt	power.ti.com
Microcontrollers	microcontroller.ti.com
RFID	www.ti-rfid.com
OMAP Mobile Processors	www.ti.com/omap
Wireless Connectivity	www.ti.com/wirelessconnectivity

Applications

Automotive and Transportation	www.ti.com/automotive
Communications and Telecom	www.ti.com/communications
Computers and Peripherals	www.ti.com/computers
Consumer Electronics	www.ti.com/consumer-apps
Energy and Lighting	www.ti.com/energy
Industrial	www.ti.com/industrial
Medical	www.ti.com/medical
Security	www.ti.com/security
Space, Avionics and Defense	www.ti.com/space-avionics-defense
Video and Imaging	www.ti.com/video

TI E2E Community e2e.ti.com