

OPA2604-Q1 DUAL FET-INPUT, LOW DISTORTION OPERATIONAL AMPLIFIER

SGLS209 – NOVEMBER 2003

features

- Qualification in Accordance With AEC-Q100†
- Qualified for Automotive Applications
- Customer-Specific Configuration Control Can Be Supported Along With Major-Change Approval
- Low Distortion: 0.0003% at 1 kHz
- Low Noise: 10 nV/√Hz
- High Slew Rate: 25 V/μs
- Wide Gain-Bandwidth: 20 MHz
- Unity-Gain Stable
- Wide Supply Range: $V_S = \pm 4.5$ to ± 24 V
- Drives 600 Ω Loads

† Contact factory for details. Q100 qualification data available on request.

applications

- Professional Audio Equipment
- PCM DAC I/V Converter
- Spectral Analysis Equipment
- Active Filters
- Transducer Amplifier
- Data Acquisition

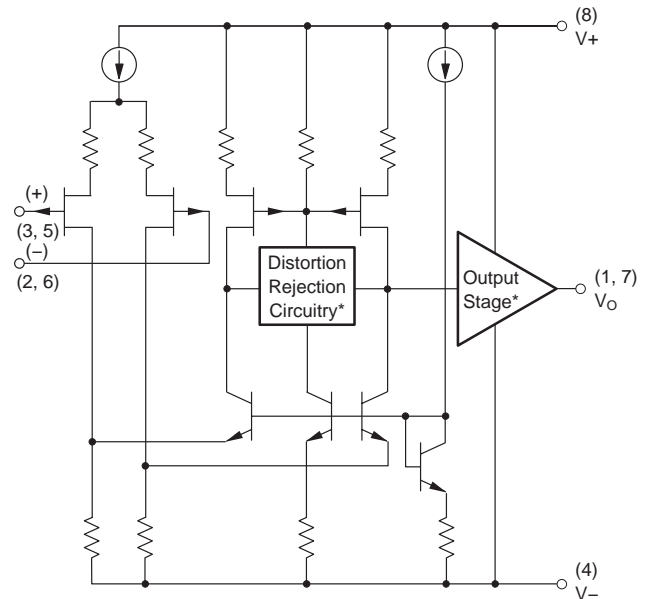
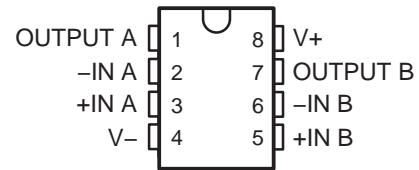
description

The OPA2604 is a dual, FET-input operational amplifier designed for enhanced AC performance. Very low distortion, low noise and wide bandwidth provide superior performance in high quality audio and other applications requiring excellent dynamic performance.

New circuit techniques and special laser trimming of dynamic circuit performance yield very low harmonic distortion. The result is an op amp with exceptional sound quality. The low-noise FET input of the OPA2604 provides wide dynamic range, even with high source impedance. Offset voltage is laser-trimmed to minimize the need for interstage coupling capacitors.

The OPA2604 is available in a SO-8 surface-mount package, specified for the -40°C to $+85^{\circ}\text{C}$ temperature range.

D PACKAGE
(TOP VIEW)



* Patents Granted:
#5053718, 5019789

ORDERING INFORMATION

TA	PACKAGE‡		ORDERABLE PART NUMBER	TOP-SIDE MARKING
-40°C to 85°C	SOIC - D	Tape and reel	OPA2604IDRQ1	2604Q1

‡ Package drawings, standard packing quantities, thermal data, symbolization, and PCB design guidelines are available at www.ti.com/sc/package.



Please be aware that an important notice concerning availability, standard warranty, and use in critical applications of Texas Instruments semiconductor products and disclaimers thereto appears at the end of this data sheet.

PRODUCTION DATA information is current as of publication date. Products conform to specifications per the terms of Texas Instruments standard warranty. Production processing does not necessarily include testing of all parameters.

 **TEXAS
INSTRUMENTS**

POST OFFICE BOX 655303 • DALLAS, TEXAS 75265

Copyright © 2003, Texas Instruments Incorporated

OPA2604-Q1

DUAL FET-INPUT, LOW DISTORTION OPERATIONAL AMPLIFIER

SGLS209 – NOVEMBER 2003

absolute maximum ratings over operating free-air temperature (unless otherwise noted)†

Power supply voltage	±25 V
Input voltage, V_{IN}	$(V-) - 1 V$ to $(V+) + 1 V$
Output short circuit to ground	Continuous
Operating free-air temperature range, T_A	-40°C to 100°C
Storage temperature range, T_{stg}	-40°C to 125°C
Package thermal impedance, θ_{JA} (see Note 1): D package	90°C/W
Lead temperature 1,6 mm (1/16 inch) from case for 3 seconds	260°C
Junction temperature, T_J	150°C

† Stresses beyond those listed under “absolute maximum ratings” may cause permanent damage to the device. These are stress ratings only, and functional operation of the device at these or any other conditions beyond those indicated under “recommended operating conditions” is not implied. Exposure to absolute-maximum-rated conditions for extended periods may affect device reliability.

NOTES: 1. The package thermal impedance is calculated in accordance with JESD 51-7.

recommended operating conditions

	MIN	NOM	MAX	UNIT
Operating voltage	±4.5	±15	±24	V
Operating free-air temperature	-40		85	°C



OPA2604-Q1

DUAL FET-INPUT, LOW DISTORTION OPERATIONAL AMPLIFIER

SGLS209 – NOVEMBER 2003

electrical characteristics, $T_A = 25^\circ\text{C}$, $V_S = \pm 15\text{ V}$ (unless otherwise noted)

PARAMETER	TEST CONDITIONS	MIN	TYP	MAX	UNIT
Offset Voltage					
Input offset voltage (V_{IO})			± 1	± 5	mV
Average drift			± 8		$\mu\text{V}/^\circ\text{C}$
Power supply rejection ratio (PSRR)	$V_S = \pm 5\text{ V to } \pm 24\text{ V}$	70	80		dB
Input Bias Current (See Note 1)					
Input bias current (I_{IB})	$V_{CM} = 0\text{ V}$		100		pA
Input offset current (I_{IO})	$V_{CM} = 0\text{ V}$		± 4		pA
Noise					
Input noise, voltage noise density	$f = 10\text{ Hz}$		25		$\text{nV}/\sqrt{\text{Hz}}$
	$f = 100\text{ Hz}$		15		
	$f = 1\text{ kHz}$		11		
	$f = 10\text{ kHz}$		10		
Voltage noise	$\text{BW} = 20\text{ Hz to } 20\text{ kHz}$		1.5		$\mu\text{V}_{\text{p-p}}$
Input bias current noise density	$f = 0.1\text{ Hz to } 20\text{ kHz}$		6		$\text{fA}/\sqrt{\text{Hz}}$
Input Voltage Range					
Common-mode input voltage range (V_{ICR})		± 12	± 13		V
Common-mode rejection ratio (CMRR)	$V_{CM} = \pm 12\text{ V}$	80	100		dB
Input Impedance					
Input impedance, differential mode			10^{12} 8		Ω pF
Input impedance, common mode			10^{12} 10		Ω pF
Open-loop Gain					
Open-loop voltage gain (AVOL)	$V_O = \pm 10\text{ V}, R_L = 1\text{ k}\Omega$	80	100		dB
Frequency Response					
Gain bandwidth product	$G = 100$		20		MHz
Slew rate	$20\text{ V}_{\text{p-p}}, R_L = 1\text{ k}\Omega$	15	25		$\text{V}/\mu\text{s}$
Settling time to 0.01%	$G = -1, 10\text{ V step}$		1.5		μs
Settling time to 0.1%			1		μs
Total Harmonic Distortion + Noise (THD+N)	$G = 1, f = 1\text{ kHz}, V_O = 3.5\text{ V}_{\text{rms}}, R_L = 1\text{ k}\Omega$		0.0003		%
Channel separation	$f = 1\text{ kHz}, R_L = 1\text{ k}\Omega$		142		dB
Output					
Output voltage range (V_{OH}, V_{OL})	$R_L = 600\ \Omega$	± 11	± 12		V
Output current (I_O)	$V_O = \pm 12\text{ V}$		± 35		mA
Output short circuit current (I_{OS})			± 40		mA
Open-loop output resistance			25		Ω
Power Supply					
Total current, both amplifiers (I_{CC})	$I_O = 0$		± 10.5	± 12	mA

NOTE 1: Typical performance, measured fully warmed-up.

OPA2604-Q1 DUAL FET-INPUT, LOW DISTORTION OPERATIONAL AMPLIFIER

SGLS209 – NOVEMBER 2003

TYPICAL CHARACTERISTICS

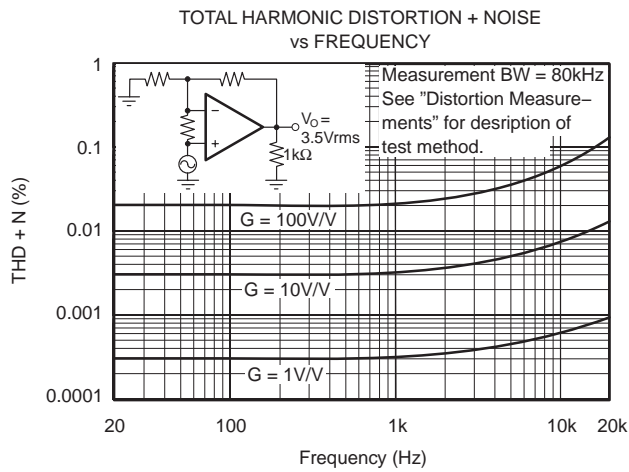


Figure 1

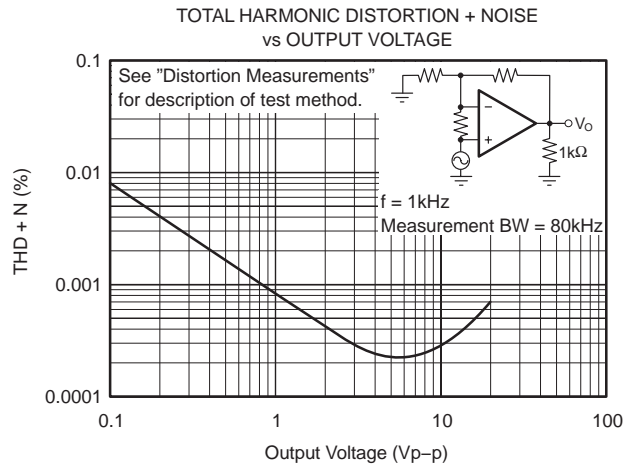


Figure 2

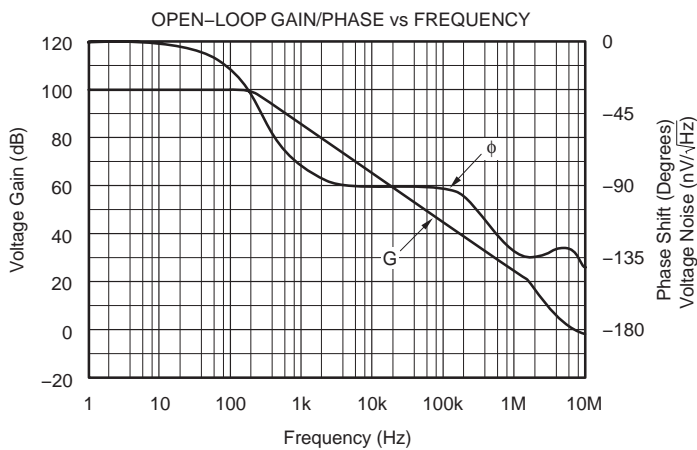


Figure 3

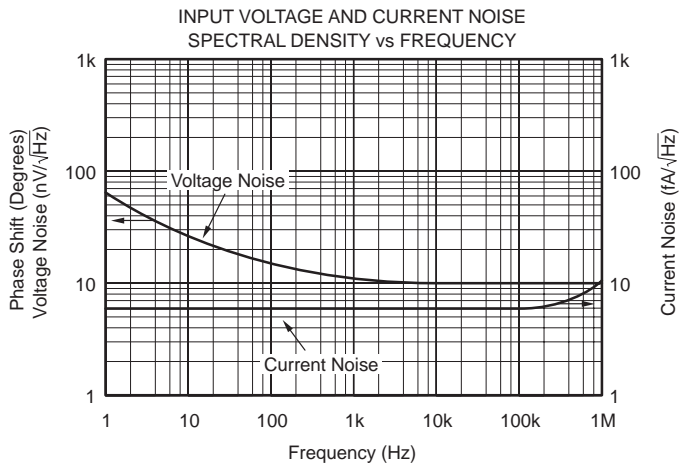


Figure 4

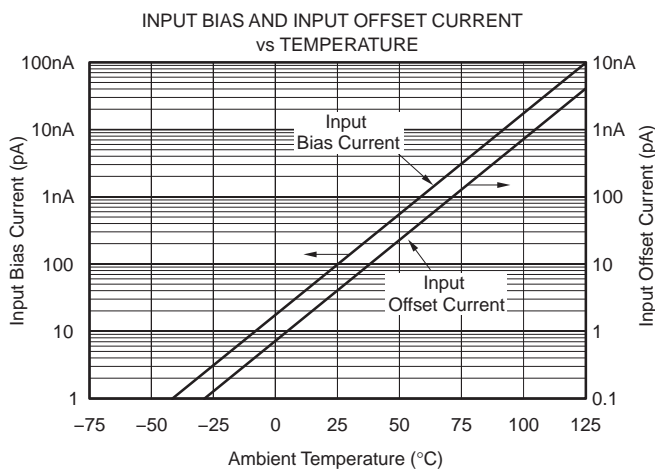


Figure 5

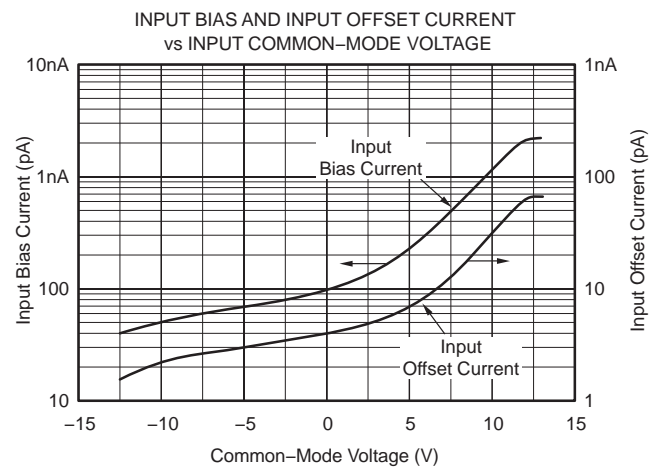
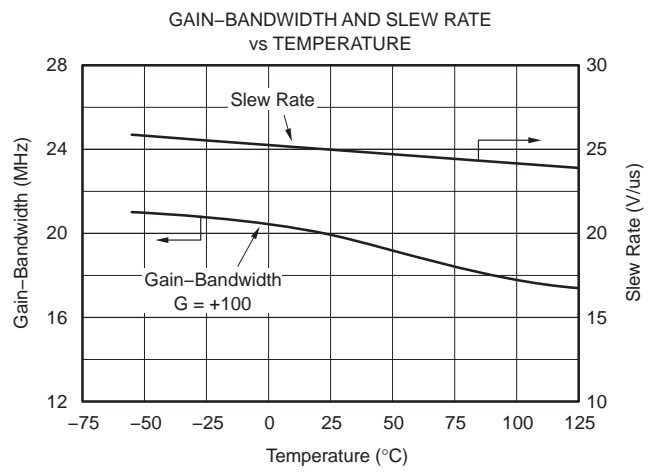
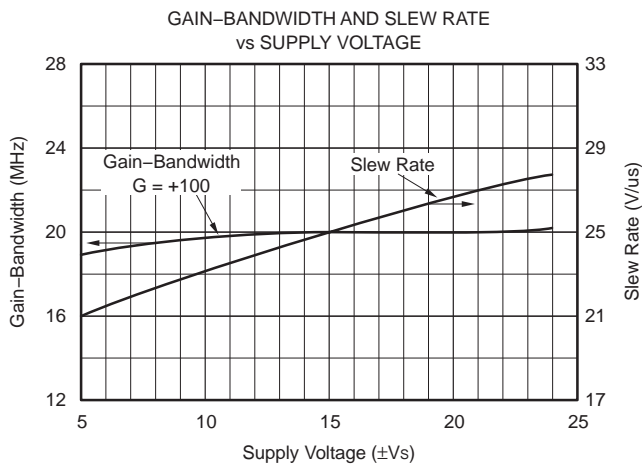
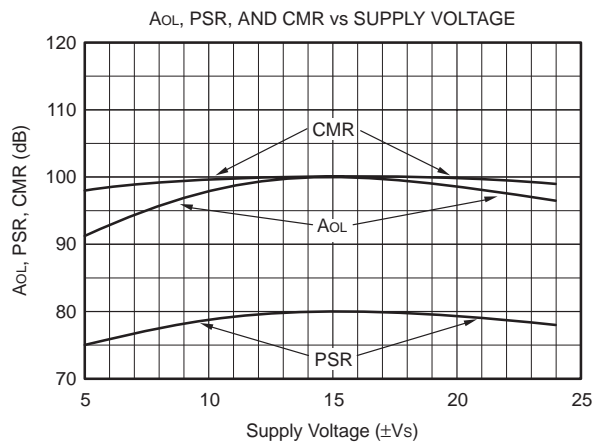
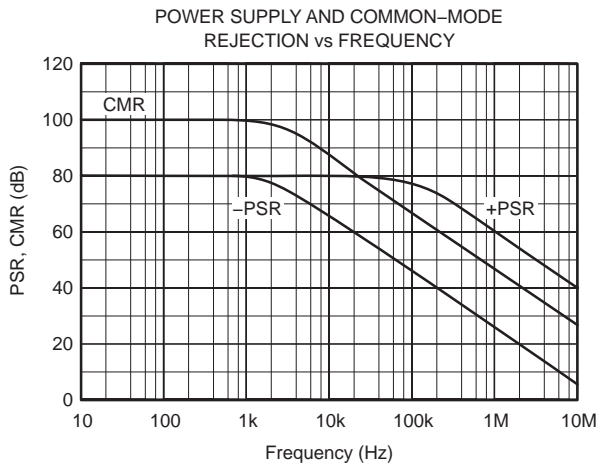
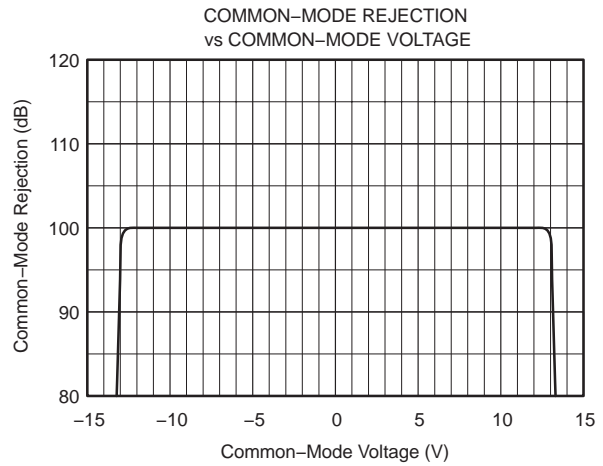
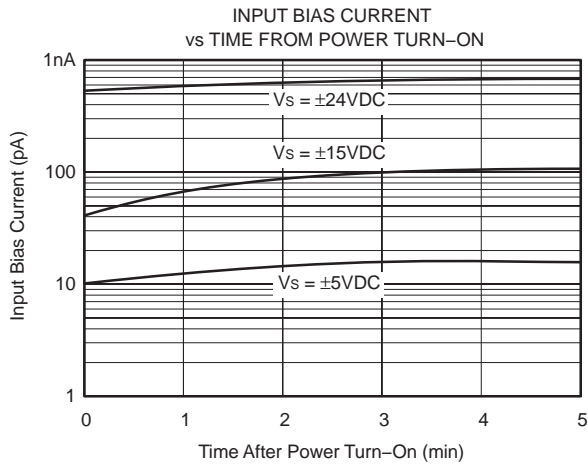


Figure 6



TYPICAL CHARACTERISTICS



OPA2604-Q1
DUAL FET-INPUT, LOW DISTORTION
OPERATIONAL AMPLIFIER

SGLS209 – NOVEMBER 2003

TYPICAL CHARACTERISTICS

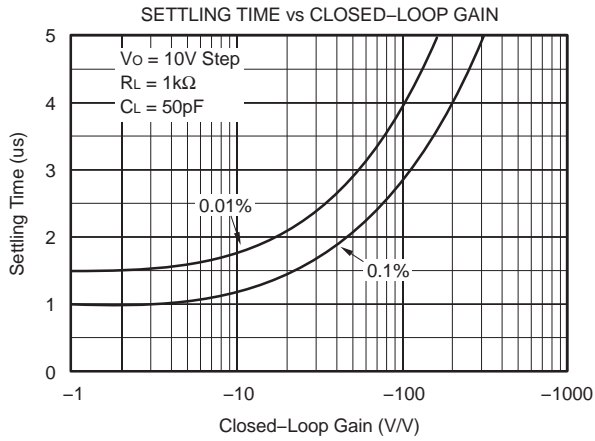


Figure 13

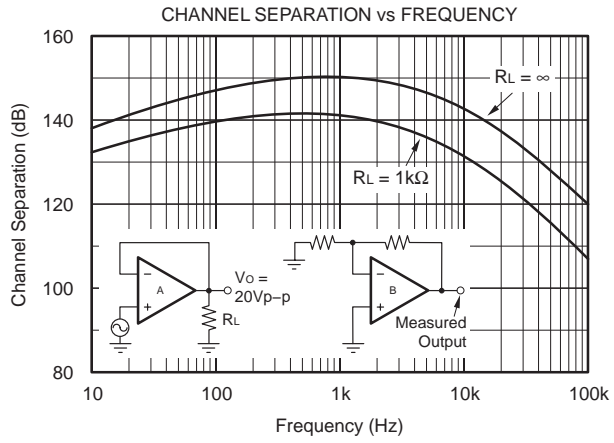


Figure 14

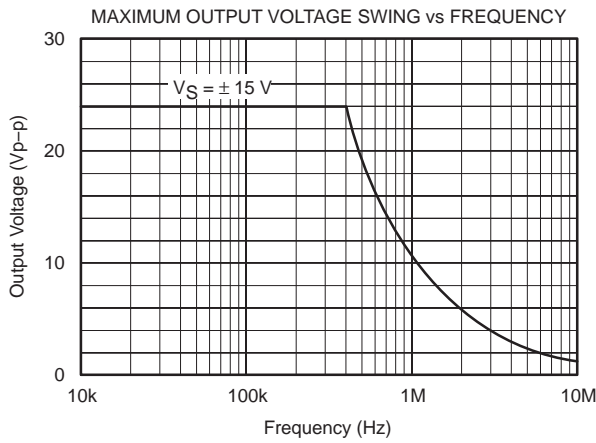


Figure 15

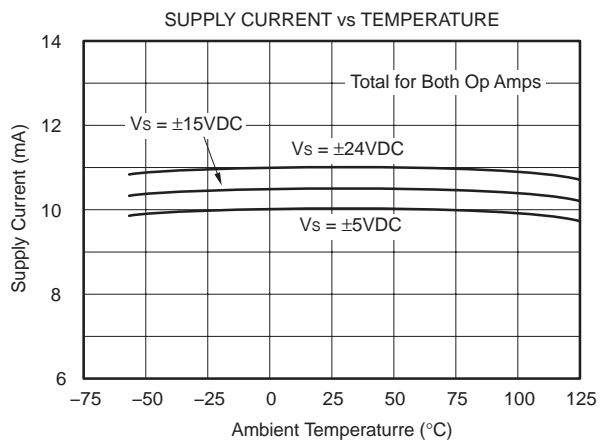


Figure 16

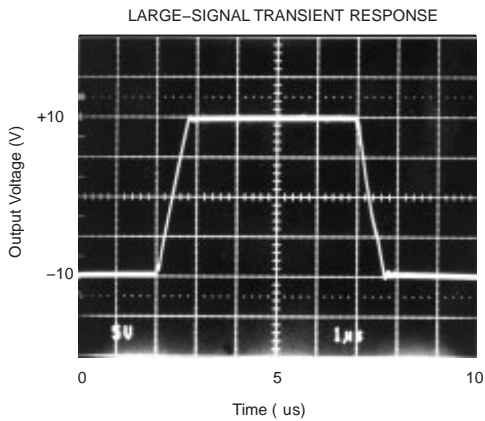


Figure 17

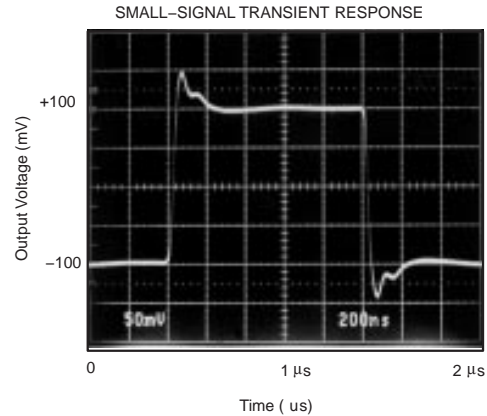


Figure 18

TYPICAL CHARACTERISTICS

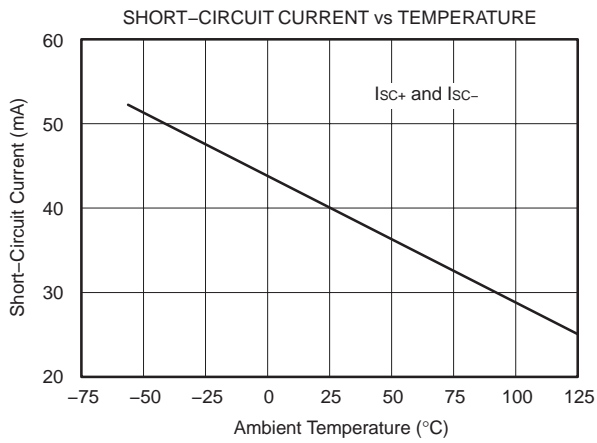


Figure 19

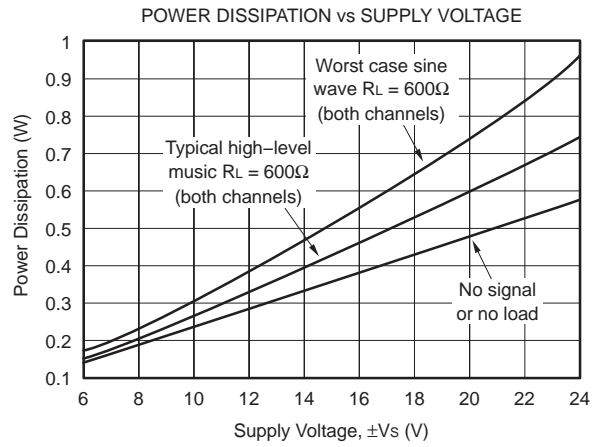


Figure 20

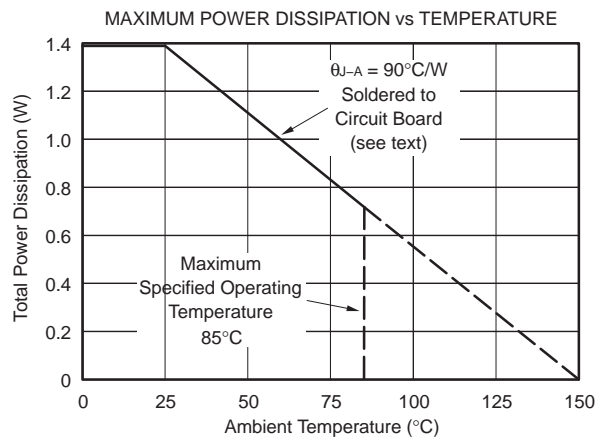


Figure 21

OPA2604-Q1 DUAL FET-INPUT, LOW DISTORTION OPERATIONAL AMPLIFIER

SGLS209 – NOVEMBER 2003

APPLICATION INFORMATION

The OPA2604 is unity-gain stable, making it easy to use in a wide range of circuitry. Applications with noisy or high impedance power supply lines may require decoupling capacitors close to the device pins. In most cases 1 μ F tantalum capacitors are adequate.

distortion measurements

The distortion produced by the OPA2604 is below the measurement limit of virtually all commercially available equipment. A special test circuit, however, can be used to extend the measurement capabilities.

Op amp distortion can be considered an internal error source which can be referred to the input. Figure 22 shows a circuit which causes the op amp distortion to be 101 times greater than normally produced by the op amp. The addition of R_3 to the otherwise standard non-inverting amplifier configuration alters the feedback factor or noise gain of the circuit. The closed-loop gain is unchanged, but the feedback available for error correction is reduced by a factor of 101. This extends the measurement limit, including the effects of the signal-source purity, by a factor of 101. Note that the input signal and load applied to the op amp are the same as with conventional feedback without R_3 .

Validity of this technique can be verified by duplicating measurements at high gain and/or high frequency where the distortion is within the measurement capability of the test equipment. Measurements for this data sheet were made with the Audio Precision System One which greatly simplifies such repetitive measurements. The measurement technique can, however, be performed with manual distortion measurement instruments.

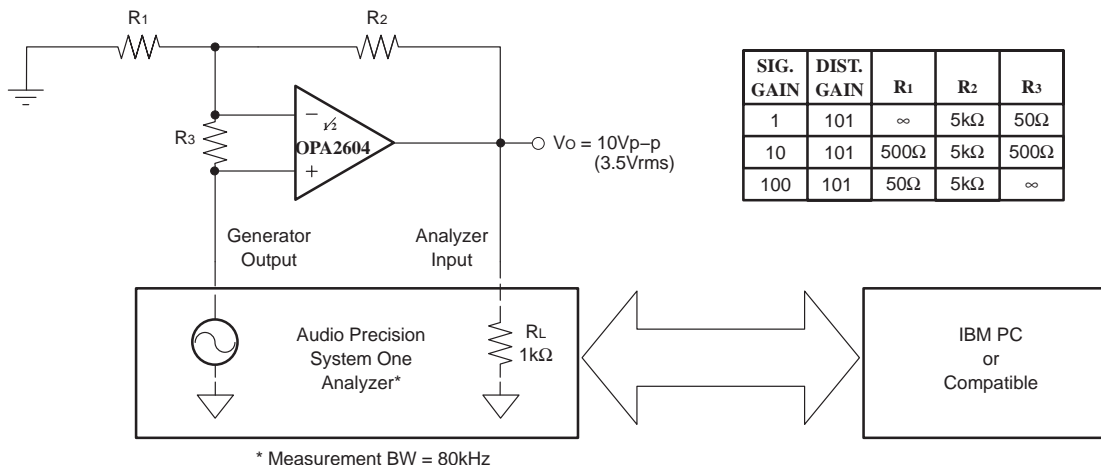


Figure 22. Distortion Test Circuit

capacitive loads

The dynamic characteristics of the OPA2604 have been optimized for commonly encountered gains, loads and operating conditions. The combination of low closed-loop gain and capacitive load will decrease the phase margin and may lead to gain peaking or oscillations. Load capacitance reacts with the op amp's open-loop output resistance to form an additional pole in the feedback loop. Figure 23 shows various circuits which preserve phase margin with capacitive load. Request Application Bulletin AB-028 for details of analysis techniques and applications circuits.

For the unity-gain buffer, Figure a, stability is preserved by adding a phase-lead network, R_C and C_C . Voltage drop across R_C will reduce output voltage swing with heavy loads. An alternate circuit, Figure b, does not limit the output with low load impedance. It provides a small amount of positive feed-back to reduce the net feedback factor. Input impedance of this circuit falls at high frequency as op amp gain rolloff reduces the bootstrap action on the compensation network.

Figures c and d show compensation techniques for noninverting amplifiers. Like the follower circuits, the circuit in Figure d eliminates voltage drop due to load current, but at the penalty of somewhat reduced input impedance at high frequency.

Figures e and f show input lead compensation networks for inverting and difference amplifier configurations.

OPA2604-Q1 DUAL FET-INPUT, LOW DISTORTION OPERATIONAL AMPLIFIER

SGLS209 – NOVEMBER 2003

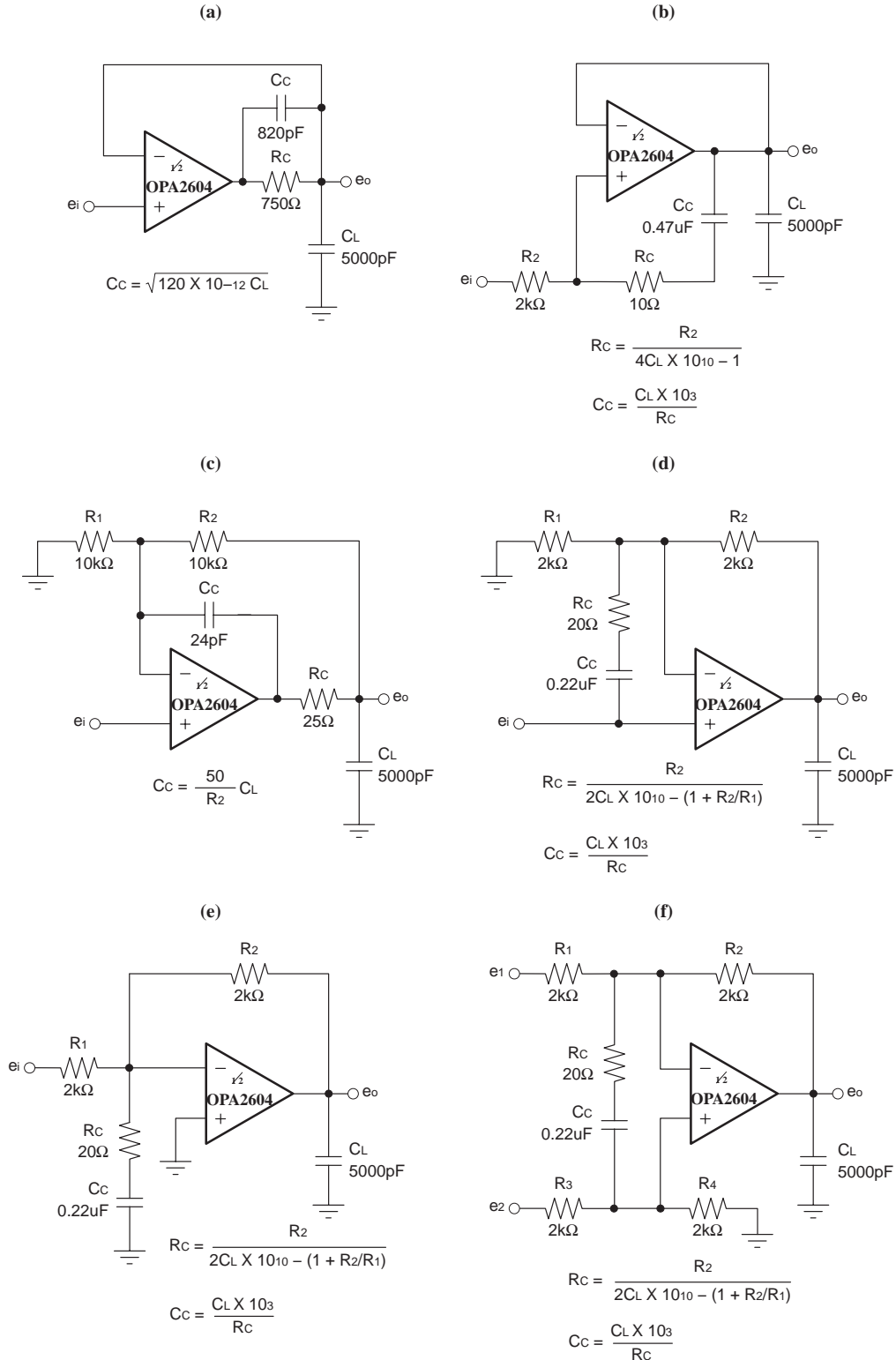


Figure 23. Driving Large Capacitive Loads

noise performance

Op amp noise is described by two parameters – noise voltage and noise current. The voltage noise determines the noise performance with low source impedance. Low noise bipolar-input op amps such as the OPA27 and OPA37 provide very low voltage noise. But if source impedance is greater than a few thousand ohms, the current noise of bipolar-input op amps react with the source impedance and will dominate. At a few thousand ohms source impedance and above, the OPA2604 will generally provide lower noise.

power dissipation

The OPA2604 is capable of driving 600 Ω loads with power supply voltages up to ± 24 V. Internal power dissipation is increased when operating at high power supply voltage. The typical performance curve, Power Dissipation vs Power Supply Voltage, shows quiescent dissipation (no signal or no load) as well as dissipation with a worst case continuous sine wave. Continuous high-level music signals typically produce dissipation significantly less than worst case sine waves.

Copper leadframe construction used in the OPA2604 improves heat dissipation compared to conventional plastic packages. To achieve best heat dissipation, solder the device directly to the circuit board and use wide circuit board traces.

output current limit

Output current is limited by internal circuitry to approximately ± 40 mA at 25°C. The limit current decreases with increasing temperature as shown in the typical curves.

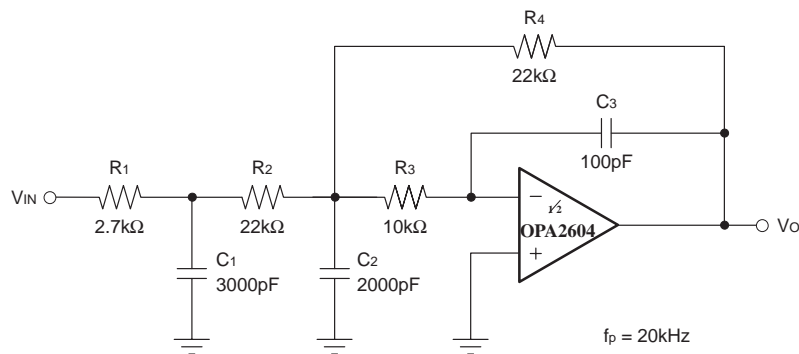


Figure 24. Three-Pole Low-Pass Filter

OPA2604-Q1
DUAL FET-INPUT, LOW DISTORTION
OPERATIONAL AMPLIFIER

SGLS209 – NOVEMBER 2003

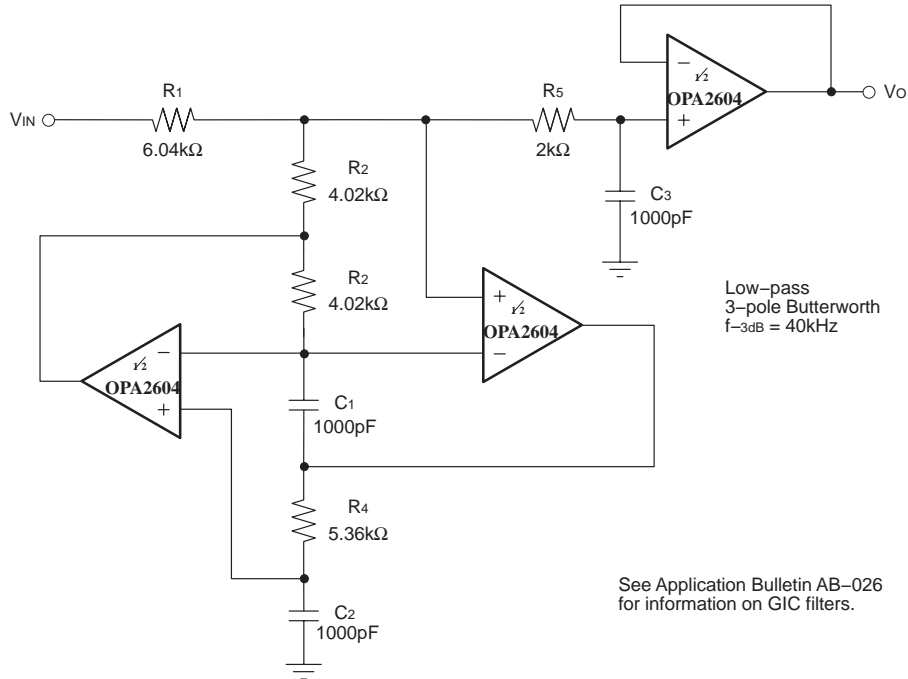


Figure 25. Three-Pole Generalized Immittance Converter (GIC) Low-Pass Filter

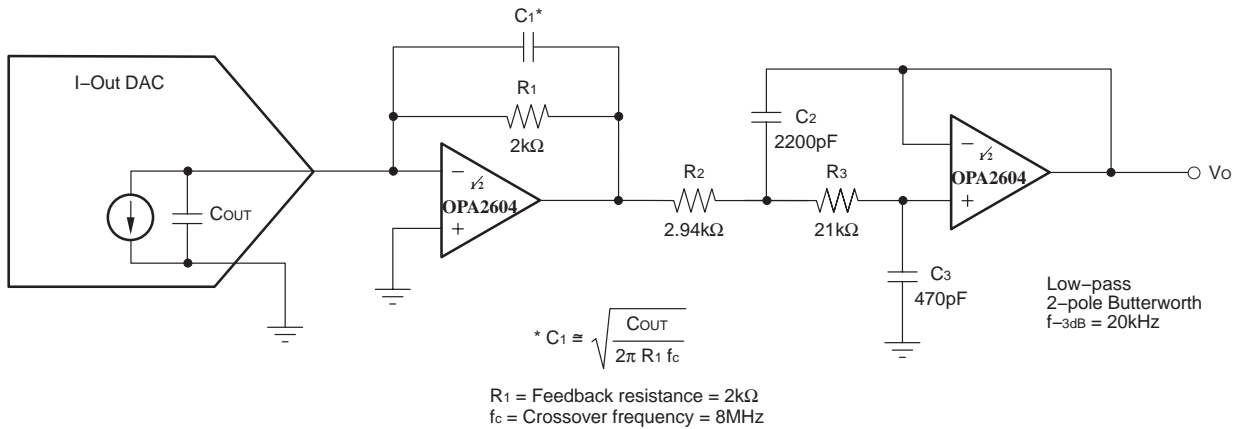


Figure 26. DAC I/V Amplifier and Low-Pass Filter

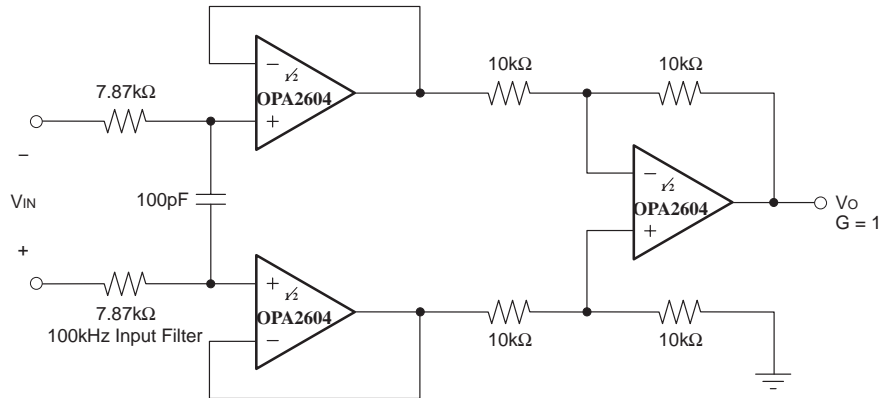


Figure 27. Differential Amplifier with Low-Pass Filter

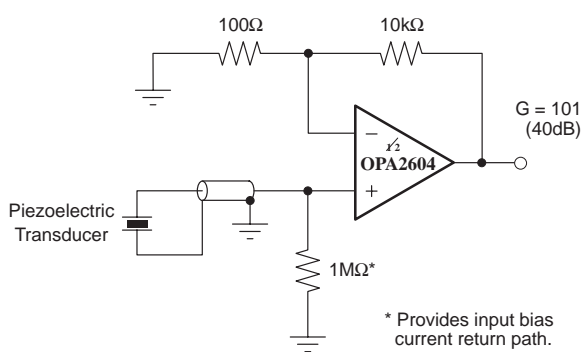


Figure 28. High Impedance Amplifier

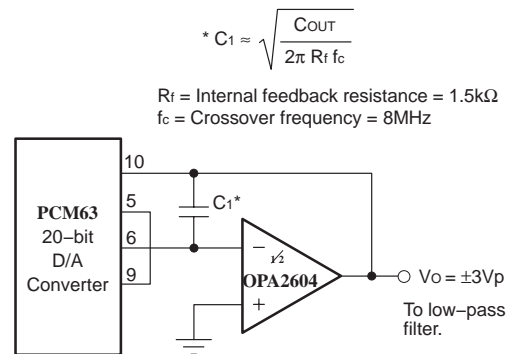


Figure 29. Digital Audio DAC I-V Amplifier

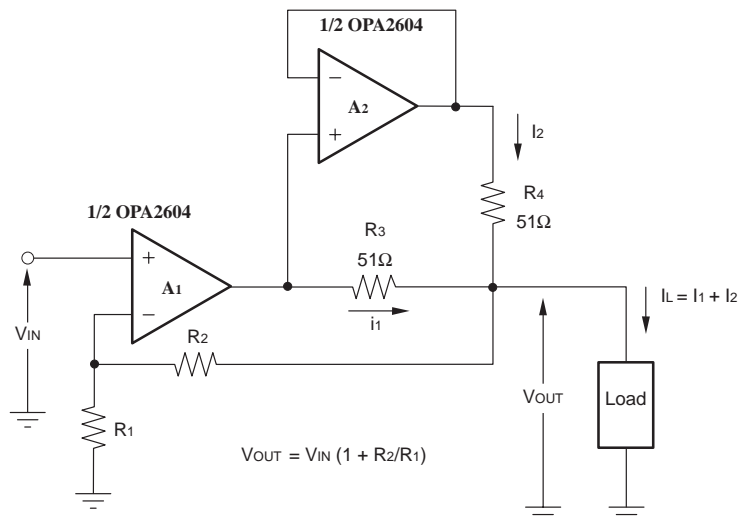


Figure 30. Using the Dual OPA2604 Op Amp to Double the Output Current to a Load

PACKAGING INFORMATION

Orderable Device	Status (1)	Package Type	Package Drawing	Pins	Package Qty	Eco Plan (2)	Lead/Ball Finish	MSL Peak Temp (3)	Op Temp (°C)	Top-Side Markings (4)	Samples
OPA2604IDRQ1	OBSOLETE	SOIC	D	8		TBD	Call TI	Call TI	-40 to 125		

(1) The marketing status values are defined as follows:

ACTIVE: Product device recommended for new designs.

LIFEBUY: TI has announced that the device will be discontinued, and a lifetime-buy period is in effect.

NRND: Not recommended for new designs. Device is in production to support existing customers, but TI does not recommend using this part in a new design.

PREVIEW: Device has been announced but is not in production. Samples may or may not be available.

OBSOLETE: TI has discontinued the production of the device.

(2) Eco Plan - The planned eco-friendly classification: Pb-Free (RoHS), Pb-Free (RoHS Exempt), or Green (RoHS & no Sb/Br) - please check <http://www.ti.com/productcontent> for the latest availability information and additional product content details.

TBD: The Pb-Free/Green conversion plan has not been defined.

Pb-Free (RoHS): TI's terms "Lead-Free" or "Pb-Free" mean semiconductor products that are compatible with the current RoHS requirements for all 6 substances, including the requirement that lead not exceed 0.1% by weight in homogeneous materials. Where designed to be soldered at high temperatures, TI Pb-Free products are suitable for use in specified lead-free processes.

Pb-Free (RoHS Exempt): This component has a RoHS exemption for either 1) lead-based flip-chip solder bumps used between the die and package, or 2) lead-based die adhesive used between the die and leadframe. The component is otherwise considered Pb-Free (RoHS compatible) as defined above.

Green (RoHS & no Sb/Br): TI defines "Green" to mean Pb-Free (RoHS compatible), and free of Bromine (Br) and Antimony (Sb) based flame retardants (Br or Sb do not exceed 0.1% by weight in homogeneous material)

(3) MSL, Peak Temp. -- The Moisture Sensitivity Level rating according to the JEDEC industry standard classifications, and peak solder temperature.

(4) Only one of markings shown within the brackets will appear on the physical device.

Important Information and Disclaimer: The information provided on this page represents TI's knowledge and belief as of the date that it is provided. TI bases its knowledge and belief on information provided by third parties, and makes no representation or warranty as to the accuracy of such information. Efforts are underway to better integrate information from third parties. TI has taken and continues to take reasonable steps to provide representative and accurate information but may not have conducted destructive testing or chemical analysis on incoming materials and chemicals. TI and TI suppliers consider certain information to be proprietary, and thus CAS numbers and other limited information may not be available for release.

In no event shall TI's liability arising out of such information exceed the total purchase price of the TI part(s) at issue in this document sold by TI to Customer on an annual basis.

OTHER QUALIFIED VERSIONS OF OPA2604-Q1 :

- Catalog: [OPA2604](#)

NOTE: Qualified Version Definitions:

- Catalog - TI's standard catalog product

D (R-PDSO-G8)

PLASTIC SMALL OUTLINE



- NOTES:
- A. All linear dimensions are in inches (millimeters).
 - B. This drawing is subject to change without notice.
 - $\triangle C$ Body length does not include mold flash, protrusions, or gate burrs. Mold flash, protrusions, or gate burrs shall not exceed 0.006 (0,15) each side.
 - $\triangle D$ Body width does not include interlead flash. Interlead flash shall not exceed 0.017 (0,43) each side.
 - E. Reference JEDEC MS-012 variation AA.

IMPORTANT NOTICE

Texas Instruments Incorporated and its subsidiaries (TI) reserve the right to make corrections, enhancements, improvements and other changes to its semiconductor products and services per JESD46, latest issue, and to discontinue any product or service per JESD48, latest issue. Buyers should obtain the latest relevant information before placing orders and should verify that such information is current and complete. All semiconductor products (also referred to herein as "components") are sold subject to TI's terms and conditions of sale supplied at the time of order acknowledgment.

TI warrants performance of its components to the specifications applicable at the time of sale, in accordance with the warranty in TI's terms and conditions of sale of semiconductor products. Testing and other quality control techniques are used to the extent TI deems necessary to support this warranty. Except where mandated by applicable law, testing of all parameters of each component is not necessarily performed.

TI assumes no liability for applications assistance or the design of Buyers' products. Buyers are responsible for their products and applications using TI components. To minimize the risks associated with Buyers' products and applications, Buyers should provide adequate design and operating safeguards.

TI does not warrant or represent that any license, either express or implied, is granted under any patent right, copyright, mask work right, or other intellectual property right relating to any combination, machine, or process in which TI components or services are used. Information published by TI regarding third-party products or services does not constitute a license to use such products or services or a warranty or endorsement thereof. Use of such information may require a license from a third party under the patents or other intellectual property of the third party, or a license from TI under the patents or other intellectual property of TI.

Reproduction of significant portions of TI information in TI data books or data sheets is permissible only if reproduction is without alteration and is accompanied by all associated warranties, conditions, limitations, and notices. TI is not responsible or liable for such altered documentation. Information of third parties may be subject to additional restrictions.

Resale of TI components or services with statements different from or beyond the parameters stated by TI for that component or service voids all express and any implied warranties for the associated TI component or service and is an unfair and deceptive business practice. TI is not responsible or liable for any such statements.

Buyer acknowledges and agrees that it is solely responsible for compliance with all legal, regulatory and safety-related requirements concerning its products, and any use of TI components in its applications, notwithstanding any applications-related information or support that may be provided by TI. Buyer represents and agrees that it has all the necessary expertise to create and implement safeguards which anticipate dangerous consequences of failures, monitor failures and their consequences, lessen the likelihood of failures that might cause harm and take appropriate remedial actions. Buyer will fully indemnify TI and its representatives against any damages arising out of the use of any TI components in safety-critical applications.

In some cases, TI components may be promoted specifically to facilitate safety-related applications. With such components, TI's goal is to help enable customers to design and create their own end-product solutions that meet applicable functional safety standards and requirements. Nonetheless, such components are subject to these terms.

No TI components are authorized for use in FDA Class III (or similar life-critical medical equipment) unless authorized officers of the parties have executed a special agreement specifically governing such use.

Only those TI components which TI has specifically designated as military grade or "enhanced plastic" are designed and intended for use in military/aerospace applications or environments. Buyer acknowledges and agrees that any military or aerospace use of TI components which have **not** been so designated is solely at the Buyer's risk, and that Buyer is solely responsible for compliance with all legal and regulatory requirements in connection with such use.

TI has specifically designated certain components as meeting ISO/TS16949 requirements, mainly for automotive use. In any case of use of non-designated products, TI will not be responsible for any failure to meet ISO/TS16949.

Products

Audio	www.ti.com/audio
Amplifiers	amplifier.ti.com
Data Converters	dataconverter.ti.com
DLP® Products	www.dlp.com
DSP	dsp.ti.com
Clocks and Timers	www.ti.com/clocks
Interface	interface.ti.com
Logic	logic.ti.com
Power Mgmt	power.ti.com
Microcontrollers	microcontroller.ti.com
RFID	www.ti-rfid.com
OMAP Applications Processors	www.ti.com/omap
Wireless Connectivity	www.ti.com/wirelessconnectivity

Applications

Automotive and Transportation	www.ti.com/automotive
Communications and Telecom	www.ti.com/communications
Computers and Peripherals	www.ti.com/computers
Consumer Electronics	www.ti.com/consumer-apps
Energy and Lighting	www.ti.com/energy
Industrial	www.ti.com/industrial
Medical	www.ti.com/medical
Security	www.ti.com/security
Space, Avionics and Defense	www.ti.com/space-avionics-defense
Video and Imaging	www.ti.com/video

TI E2E Community

e2e.ti.com