



# SPECIFICATIONS

## ELECTRICAL

At  $T_C = +25^\circ\text{C}$  and  $V_S = \pm 35\text{VDC}$ , unless otherwise noted.

PARAMETER	CONDITIONS	OPA2541AM			OPA2541BM, SM			UNITS
		MIN	TYP	MAX	MIN	TYP	MAX	
<b>INPUT OFFSET VOLTAGE</b>								
$V_{OS}$ vs Temperature vs Supply Voltage vs Power	Specified Temperature Range $V_S = \pm 10\text{V to } \pm V_{MAX}$		$\pm 2$ $\pm 20$ $\pm 2.5$ $\pm 20$	$\pm 10$ $\pm 40$ $\pm 10$ $\pm 60$		$\pm 0.25$ $\pm 15$ * *	$\pm 1$ $\pm 30$ * *	mV $\mu\text{V}/^\circ\text{C}$ $\mu\text{V}/\text{V}$ $\mu\text{V}/\text{W}$
<b>INPUT BIAS CURRENT</b>								
$I_B$	Specified Temperature Range		15 Note 1	50		*	*	pA
<b>INPUT OFFSET CURRENT</b>								
$I_{OS}$	Specified Temperature Range		$\pm 5$ Note 1	$\pm 30$		*	*	pA
<b>INPUT CHARACTERISTICS</b>								
Common-Mode Voltage Range Common-Mode Rejection Input Capacitance Input Impedance, DC	Specified Temperature Range $V_{CM} = (\pm V_S) - 6\text{V}$	$\pm( V_S  - 6)$ 95	$\pm( V_S  - 3)$ 106 5 1		*	*		V dB pF $10^{12}\Omega$
<b>GAIN CHARACTERISTICS</b>								
Open Loop Gain at 10Hz Gain-Bandwidth Product	$R_L = 6\Omega$	90	96 1.6		*	*		dB MHz
<b>OUTPUT</b>								
Voltage Swing  Current, Continuous	$I_O = 5\text{A}$ $I_O = 2\text{A}$ $I_O = 0.5\text{A}$ +25°C +85°C +125°C (SM grade only)	$\pm( V_S  - 5.5)$ $\pm( V_S  - 4.5)$ $\pm( V_S  - 4)$ 5 4	$\pm( V_S  - 4.5)$ $\pm( V_S  - 3.6)$ $\pm( V_S  - 3.2)$ 7.0 5.0		*	*		V V V A A A
<b>AC PERFORMANCE</b>								
Slew Rate Power Bandwidth Settling Time to 0.1%  Capacitive Load  Phase Margin Channel Separation	$R_L = 8\Omega$ , $V_O = 20\text{Vrms}$ 2V Step  Specified Temperature Range, $G = 1$ Specified Temperature Range, $G > 10$ Specified Temperature Range, $R_L = 8\Omega$ 1kHz, $R_L = 6\Omega$	6 45   40 80	8 55 2  40 80	3.3 SOA	*	*	*	V/ $\mu\text{s}$ kHz $\mu\text{s}$ nF Degrees dB
<b>POWER SUPPLY</b>								
Power Supply Voltage, $\pm V_S$ Current, Quiescent	Specified Temperature Range Total—Both Amplifiers	$\pm 10$	$\pm 30$ 40	$\pm 35$ 50	*	$\pm 35$ *	$\pm 40$ *	V mA
<b>THERMAL RESISTANCE</b>								
$\theta_{JC}$ , (Junction-to-Case) $\theta_{JC}$ $\theta_{JC}$ $\theta_{JC}$ $\theta_{JA}$ , (Junction-to-Ambient)	Both Amplifiers <sup>(2)</sup> , AC Output $f > 60\text{Hz}$ Both Amplifiers <sup>(2)</sup> , DC Output One Amplifier, AC Output $f > 60\text{Hz}$ One Amplifier, DC Output No Heat Sink		0.8 0.9 1.25 1.4 30	1.0 1.2 1.5 1.9		*	*	$^\circ\text{C}/\text{W}$ $^\circ\text{C}/\text{W}$ $^\circ\text{C}/\text{W}$ $^\circ\text{C}/\text{W}$ $^\circ\text{C}/\text{W}$
<b>TEMPERATURE RANGE</b>								
Case	AM, BM SM	-25		+85	*		*	$^\circ\text{C}$ $^\circ\text{C}$

\*Specification same as OPA2541AM.

NOTES: (1) Input bias and offset current approximately doubles for every  $10^\circ\text{C}$  increase in temperature. (2) Assumes equal dissipation in both amplifiers.

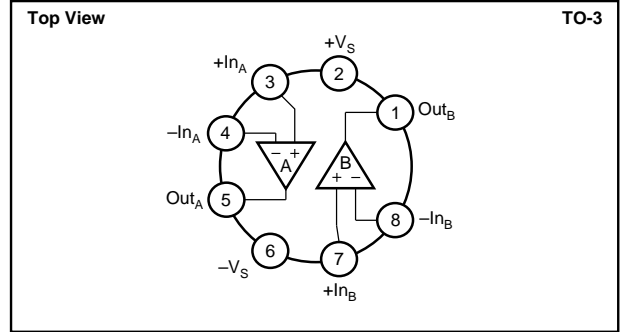
The information provided herein is believed to be reliable; however, BURR-BROWN assumes no responsibility for inaccuracies or omissions. BURR-BROWN assumes no responsibility for the use of this information, and all use of such information shall be entirely at the user's own risk. Prices and specifications are subject to change without notice. No patent rights or licenses to any of the circuits described herein are implied or granted to any third party. BURR-BROWN does not authorize or warrant any BURR-BROWN product for use in life support devices and/or systems.

## ABSOLUTE MAXIMUM RATINGS

Supply Voltage, $+V_S$ to $-V_S$ .....	80V
Output Current .....	see SOA
Power Dissipation, Internal <sup>(1)</sup> .....	125W
Input Voltage: Differential .....	$\pm V_S$
Common-mode .....	$\pm V_S$
Temperature: Pin Solder, 10s .....	+300°C
Junction <sup>(1)</sup> .....	+150°C
Temperature Range:	
Storage .....	-65°C to +150°C
Operating (Case) .....	-55°C to +125°C

NOTE: (1) Long term operation at the maximum junction temperature will result in reduced product life. Derate internal power dissipation to achieve high MTTF.

## CONNECTION DIAGRAM



## PACKAGE INFORMATION

MODEL	PACKAGE	PACKAGE DRAWING NUMBER <sup>(1)</sup>
OPA2541AM	TO-3	030
OPA2541BM	TO-3	030
OPA2541SM	TO-3	030

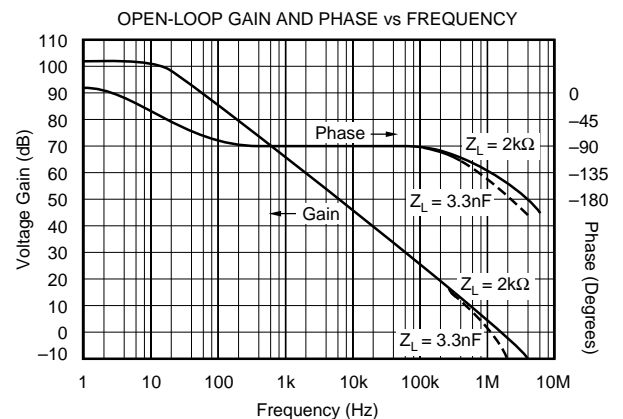
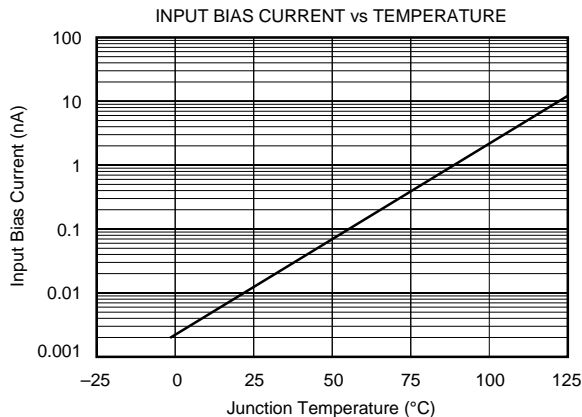
NOTE: (1) For detailed drawing and dimension table, please see end of data sheet, or Appendix D of Burr-Brown IC Data Book.

## ORDERING INFORMATION

MODEL	PACKAGE	TEMPERATURE RANGE
OPA2541AM	TO-3	-25°C to +85°C
OPA2541BM	TO-3	-25°C to +85°C
OPA2541SM	TO-3	-55°C to +125°C

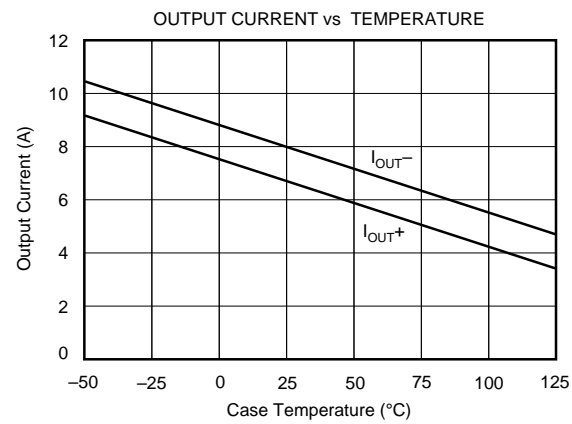
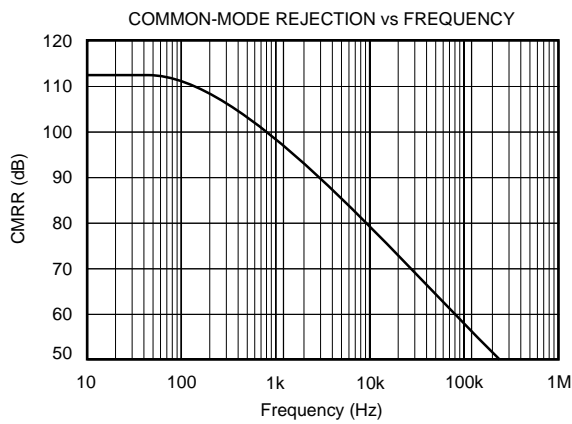
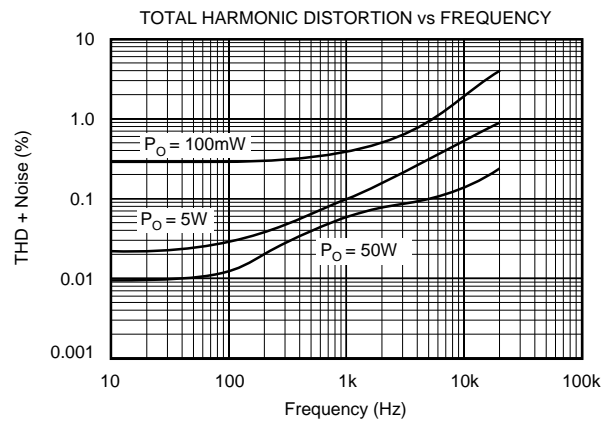
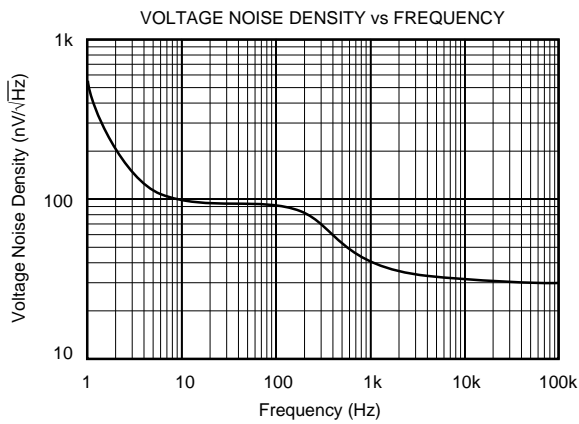
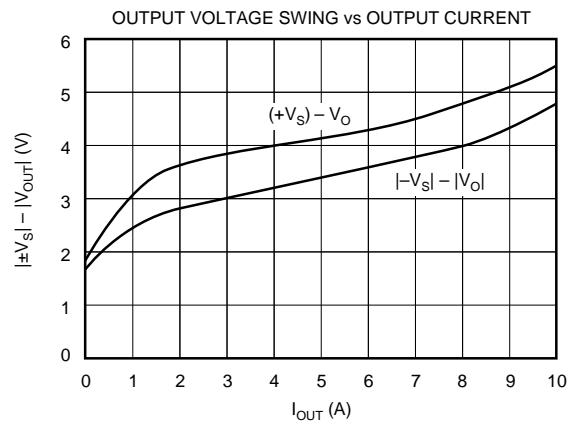
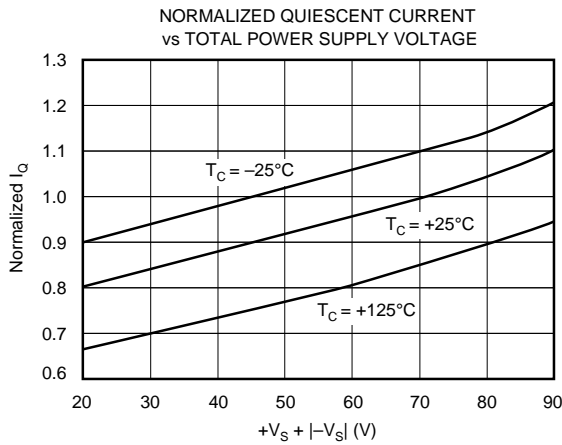
## TYPICAL PERFORMANCE CURVES

$T_A = +25^\circ\text{C}$  and  $V_S = \pm 35\text{VDC}$ , unless otherwise noted.



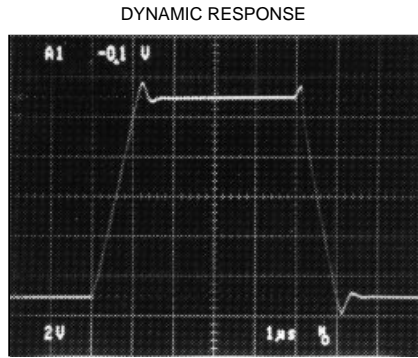
# TYPICAL PERFORMANCE CURVES (CONT)

$T_A = +25^\circ\text{C}$  and  $V_S = \pm 35\text{VDC}$ , unless otherwise noted.

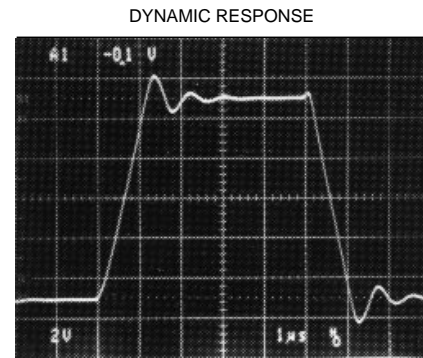


# TYPICAL PERFORMANCE CURVES (CONT)

$T_A = +25^\circ\text{C}$  and  $V_S = \pm 35\text{VDC}$ , unless otherwise noted.



$Z_{\text{LOAD}} = \infty$ ,  $V_S = \pm 35\text{V}$ ,  $A_V = +1$



$Z_{\text{LOAD}} = 4700\text{pF}$ ,  $V_S = \pm 35\text{V}$ ,  $A_V = +1$

## INSTALLATION INSTRUCTIONS

### POWER SUPPLIES

The OPA2541 is specified for operation from power supplies up to  $\pm 40\text{V}$ . It can also be operated from an unbalanced or a single power supply so long as the total power supply voltage does not exceed  $80\text{V}$  ( $70\text{V}$  for “AM” grade). The power supplies should be bypassed with low series impedance capacitors such as ceramic or tantalum. These should be located as near as practical to the amplifier’s power supply pins. Good power amplifier circuit layout is, in general, like good high-frequency layout. Consider the path of large power supply and output currents. Avoid routing these connections near low-level input circuitry to avoid waveform distortion and instability.

Signal dependent load current can modulate the power supply voltage with inadequate power supply bypassing. This can affect both amplifiers’ outputs. Since the second amplifier’s signal may not be related to the first, this will degrade the inherent channel separation of the OPA2541.

### HEAT SINKING

Most applications will require a heat sink to prevent junction temperatures from exceeding the  $150^\circ\text{C}$  maximum rating. The type of heat sink required will depend on the output signals, power dissipation of each amplifier, and ambient temperature. The thermal resistance from junction-to-case,  $\theta_{\text{JC}}$ , depends on how the power dissipation is distributed on the amplifier die.

DC output concentrates the power dissipation in one output transistor. AC output distributes the power dissipation equally between the two output transistors and therefore has lower thermal resistance. Similarly, the power dissipation may be all in one amplifier (worst case) or equally distributed between the two amplifiers (best case). Thermal resistances are provided for each of these possibilities. The case-to-junction temperature rise is the product of the power dissi-

pation (total of both amplifiers) times the appropriate thermal resistance—

$$\Delta T_{\text{JC}} = (P_{\text{D total}}) (\theta_{\text{JC}}).$$

Sufficient heat sinking must be provided to keep the case temperature within safe limits for the maximum ambient temperature and power dissipation. The thermal resistance of the heat sink required may be calculated by:

$$\theta_{\text{HS}} = (150^\circ\text{C} - \Delta T_{\text{JC}} - T_A) / P_{\text{D}}.$$

Commercially available heat sinks usually specify thermal resistance. These ratings are often suspect, however, since they depend greatly on the mounting environment and air flow conditions. Actual thermal performance should be verified by measurement of case temperature under the required load and environmental conditions.

No insulating hardware is required when using the OPA2541. Since mica and other similar insulators typically add  $0.7^\circ\text{C}/\text{W}$  thermal resistance, this is a significant advantage. See Burr-Brown Application Note AN-83 for further details on heat sinking.

### SAFE OPERATING AREA

The Safe Operating Area (SOA) curve provides comprehensive information on the power handling abilities of the OPA2541. It shows the allowable output current as a function of the voltage across the conducting output transistor (see Figure 1). This voltage is equal to the power supply voltage minus the output voltage. For example, as the amplifier output swings near the positive power supply voltage, the voltage across the output transistor decreases and the device can safely provide large output currents demanded by the load.

The internal current limit will not provide short-circuit protection in most applications. When the amplifier output is shorted to ground, the full power supply voltage is impressed across the conducting output transistor. For instance, with  $V_s = \pm 35V$ , a short circuit to ground would impress 35V across the conducting power transistor. The maximum safe output current at this voltage is 1.8A, so the internal current limit would not protect the amplifier. The unit-to-unit variation and temperature dependence of the internal current limit suggest that it be used to handle abnormal conditions and not activated in commonly encountered circuit operation.

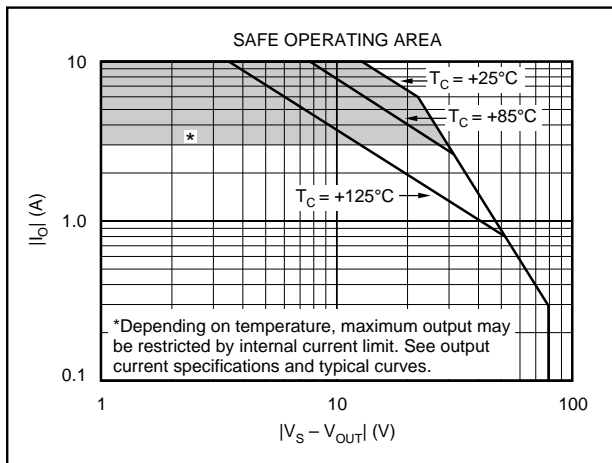


FIGURE 1. Safe Operating Area.

Reactive, or EMF generating loads such as DC motors can present demanding SOA requirements. With a purely reactive load, output voltage current occurs when the output voltage is zero and the voltage across the conducting transistor is equal to the full power supply voltage. See Burr-Brown Application Note AN-123 for further information on evaluating SOA.

Applications with inductive or EMF-generating loads which can produce "kick back" voltage surges to the amplifiers should include clamp diodes from the output terminals to the power supplies. These diodes should be chosen to limit the peak amplifier output voltage surges to less than 2V beyond the power supply rail voltage. Common 1A rated rectifier diodes will suffice in most applications.

## APPLICATIONS CIRCUITS

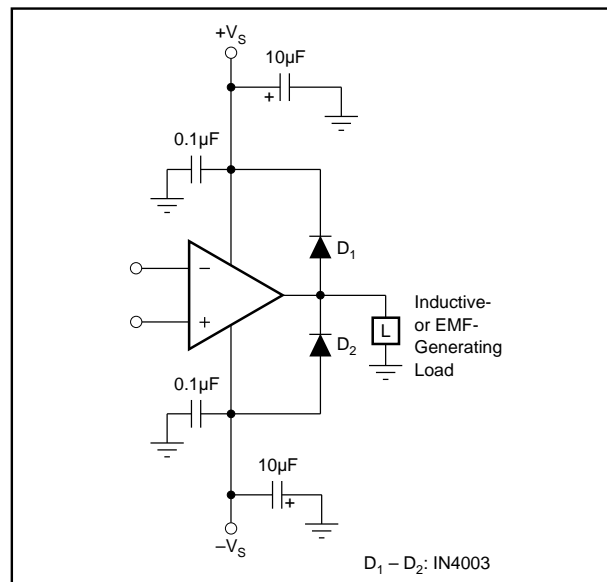


FIGURE 2. Clamping Output for EMF-Generating Loads.

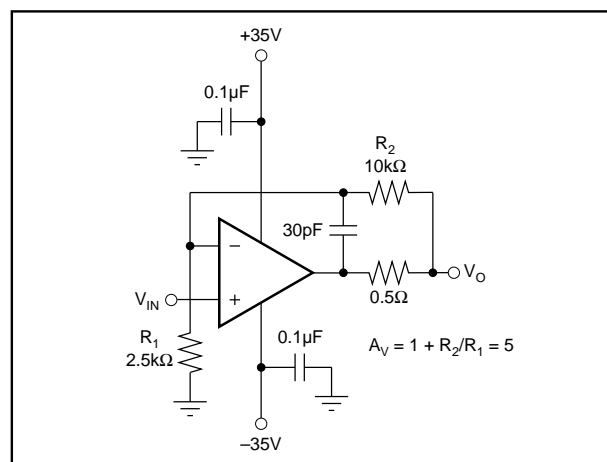


FIGURE 3. Isolating Capacitive Loads.

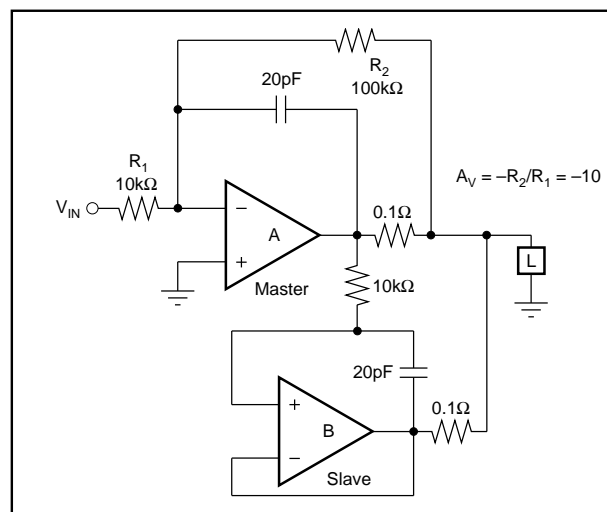


FIGURE 4. Paralleled Operation, Extended SOA.

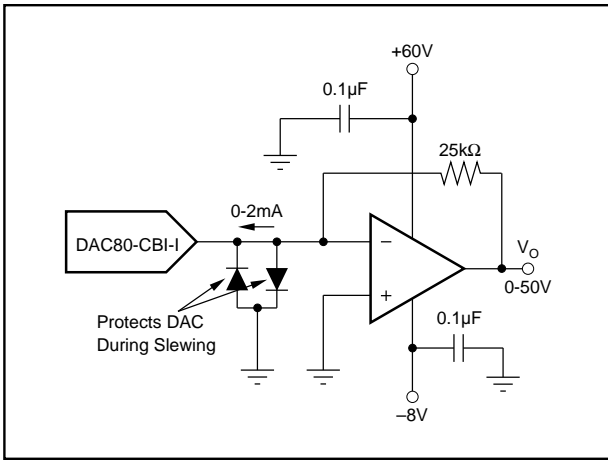


FIGURE 5. Programmable Voltage Source.

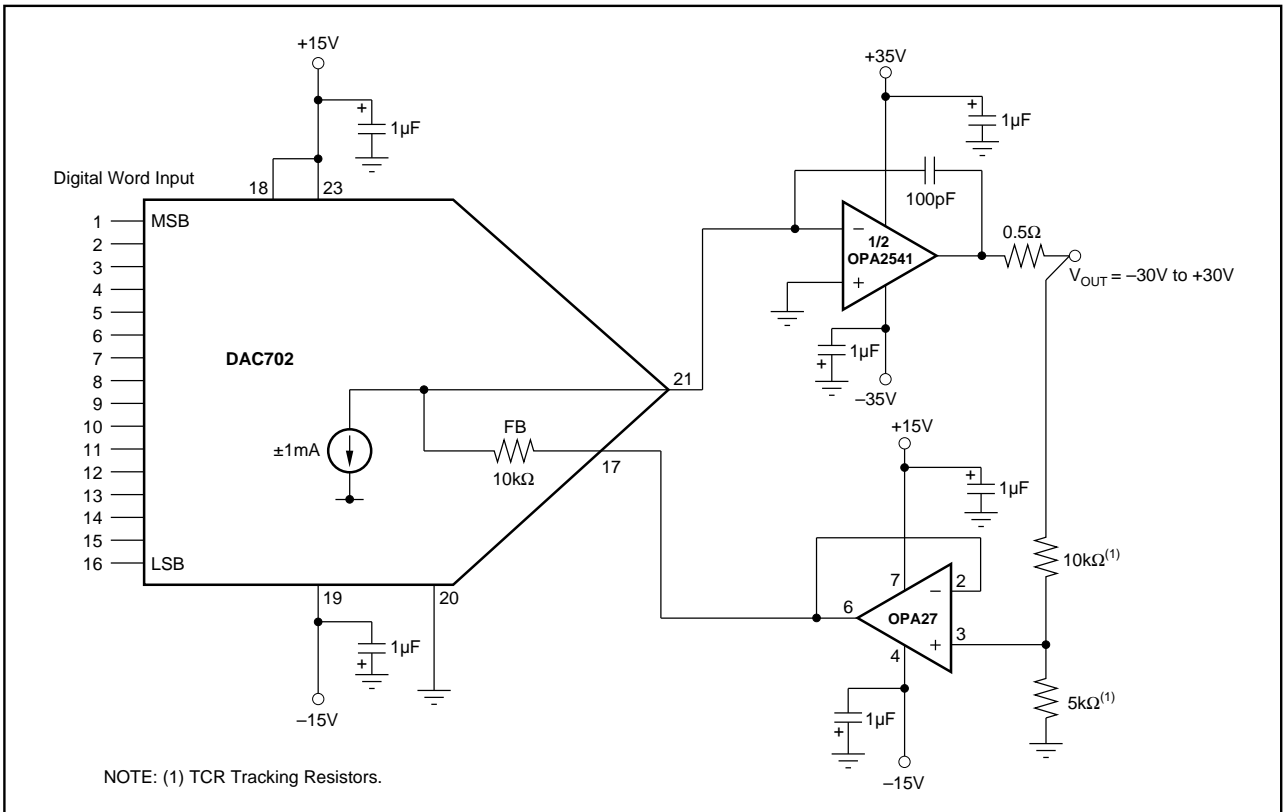


FIGURE 6. 16-Bit Programmable Voltage Source.

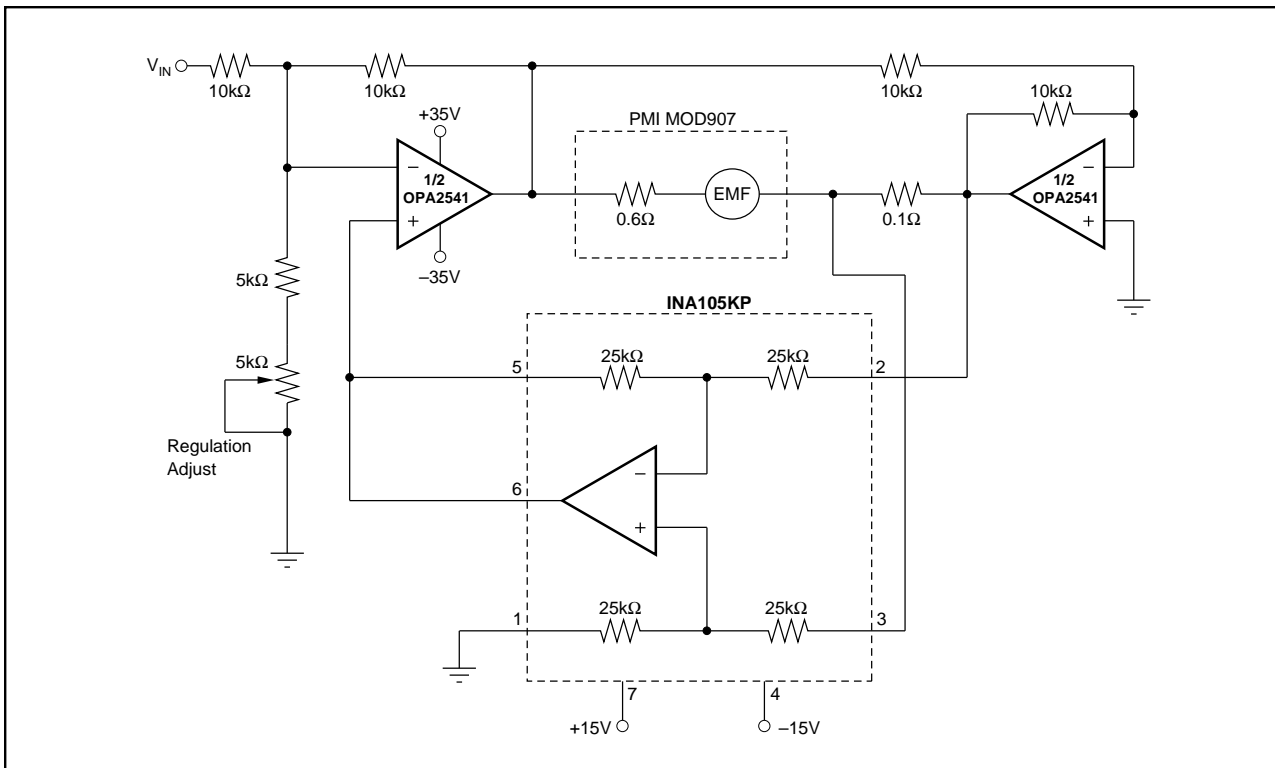


FIGURE 7. Bridge Amplifier Motor-Speed Controller.

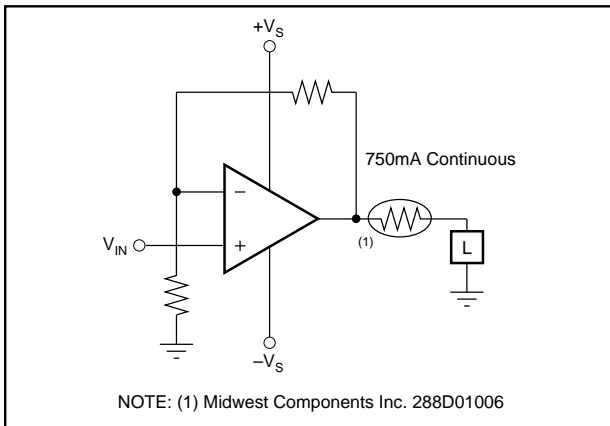


FIGURE 8. Limiting Output Current.



**PACKAGING INFORMATION**

Orderable Device	Status <sup>(1)</sup>	Package Type	Package Drawing	Pins	Package Qty	Eco Plan <sup>(2)</sup>	Lead/ Ball Finish	MSL Peak Temp <sup>(3)</sup>	Samples (Requires Login)
OPA2541AM	NRND	TO-3	LMF	8	18	Pb-Free (RoHS Exempt)	NI	N / A for Pkg Type	
OPA2541AM-BI	NRND	ZZ (BB)	ZZ030	8		TBD	Call TI	Call TI	
OPA2541BM	NRND	TO-3	LMF	8	18	Pb-Free (RoHS Exempt)	NI	N / A for Pkg Type	
OPA2541SM	NRND	TO-3	LMF	8	18	Pb-Free (RoHS Exempt)	NI	N / A for Pkg Type	
OPA2541SMQ	NRND	TO-3	LMF	8	1	Pb-Free (RoHS Exempt)	NI	N / A for Pkg Type	

<sup>(1)</sup> The marketing status values are defined as follows:

**ACTIVE:** Product device recommended for new designs.

**LIFEBUY:** TI has announced that the device will be discontinued, and a lifetime-buy period is in effect.

**NRND:** Not recommended for new designs. Device is in production to support existing customers, but TI does not recommend using this part in a new design.

**PREVIEW:** Device has been announced but is not in production. Samples may or may not be available.

**OBSELETE:** TI has discontinued the production of the device.

<sup>(2)</sup> Eco Plan - The planned eco-friendly classification: Pb-Free (RoHS), Pb-Free (RoHS Exempt), or Green (RoHS & no Sb/Br) - please check <http://www.ti.com/productcontent> for the latest availability information and additional product content details.

**TBD:** The Pb-Free/Green conversion plan has not been defined.

**Pb-Free (RoHS):** TI's terms "Lead-Free" or "Pb-Free" mean semiconductor products that are compatible with the current RoHS requirements for all 6 substances, including the requirement that lead not exceed 0.1% by weight in homogeneous materials. Where designed to be soldered at high temperatures, TI Pb-Free products are suitable for use in specified lead-free processes.

**Pb-Free (RoHS Exempt):** This component has a RoHS exemption for either 1) lead-based flip-chip solder bumps used between the die and package, or 2) lead-based die adhesive used between the die and leadframe. The component is otherwise considered Pb-Free (RoHS compatible) as defined above.

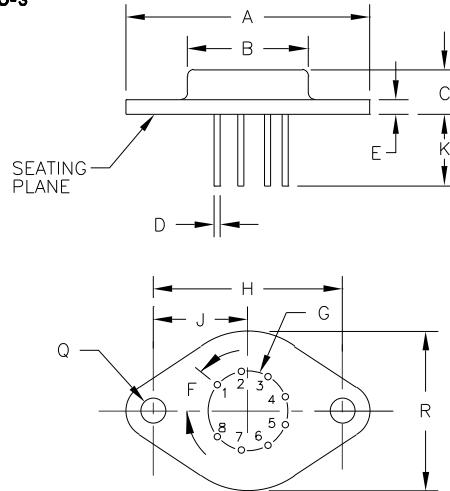
**Green (RoHS & no Sb/Br):** TI defines "Green" to mean Pb-Free (RoHS compatible), and free of Bromine (Br) and Antimony (Sb) based flame retardants (Br or Sb do not exceed 0.1% by weight in homogeneous material)

<sup>(3)</sup> MSL, Peak Temp. -- The Moisture Sensitivity Level rating according to the JEDEC industry standard classifications, and peak solder temperature.

**Important Information and Disclaimer:**The information provided on this page represents TI's knowledge and belief as of the date that it is provided. TI bases its knowledge and belief on information provided by third parties, and makes no representation or warranty as to the accuracy of such information. Efforts are underway to better integrate information from third parties. TI has taken and continues to take reasonable steps to provide representative and accurate information but may not have conducted destructive testing or chemical analysis on incoming materials and chemicals. TI and TI suppliers consider certain information to be proprietary, and thus CAS numbers and other limited information may not be available for release.

In no event shall TI's liability arising out of such information exceed the total purchase price of the TI part(s) at issue in this document sold by TI to Customer on an annual basis.

Package Number 030 - 8-Pin Metal TO-3



DIM	INCHES		MILLIMETERS		NOTE	DIM	INCHES		MILLIMETERS		NOTE
	MIN.	MAX.	MIN.	MAX.			MIN.	MAX.	MIN.	MAX.	
A	1.510	1.550	38.35	39.37							
B	.745	.770	18.92	19.56							
C	.260	.300	6.60	7.62							
D	.038	.042	0.97	1.07							
E	.080	.105	2.03	2.67							
F	40°	BASIC	40°	BASIC							
G	.500	BASIC	12.70	BASIC							
H	1.182	1.192	30.02	30.28							
J	.591	.596	15.01	15.14							
K	.400	.500	10.16	12.70							
Q	.151	.161	3.84	4.09							
R	.980	1.020	24.89	25.91							

NOTES:

- LEADS IN TRUE POSITION WITHIN .010" (.25mm) @ MMC AT SEATING PLANE.
- PIN NUMBERS SHOWN FOR REFERENCE ONLY. NUMBERS MAY NOT BE MARKED ON PACKAGE.

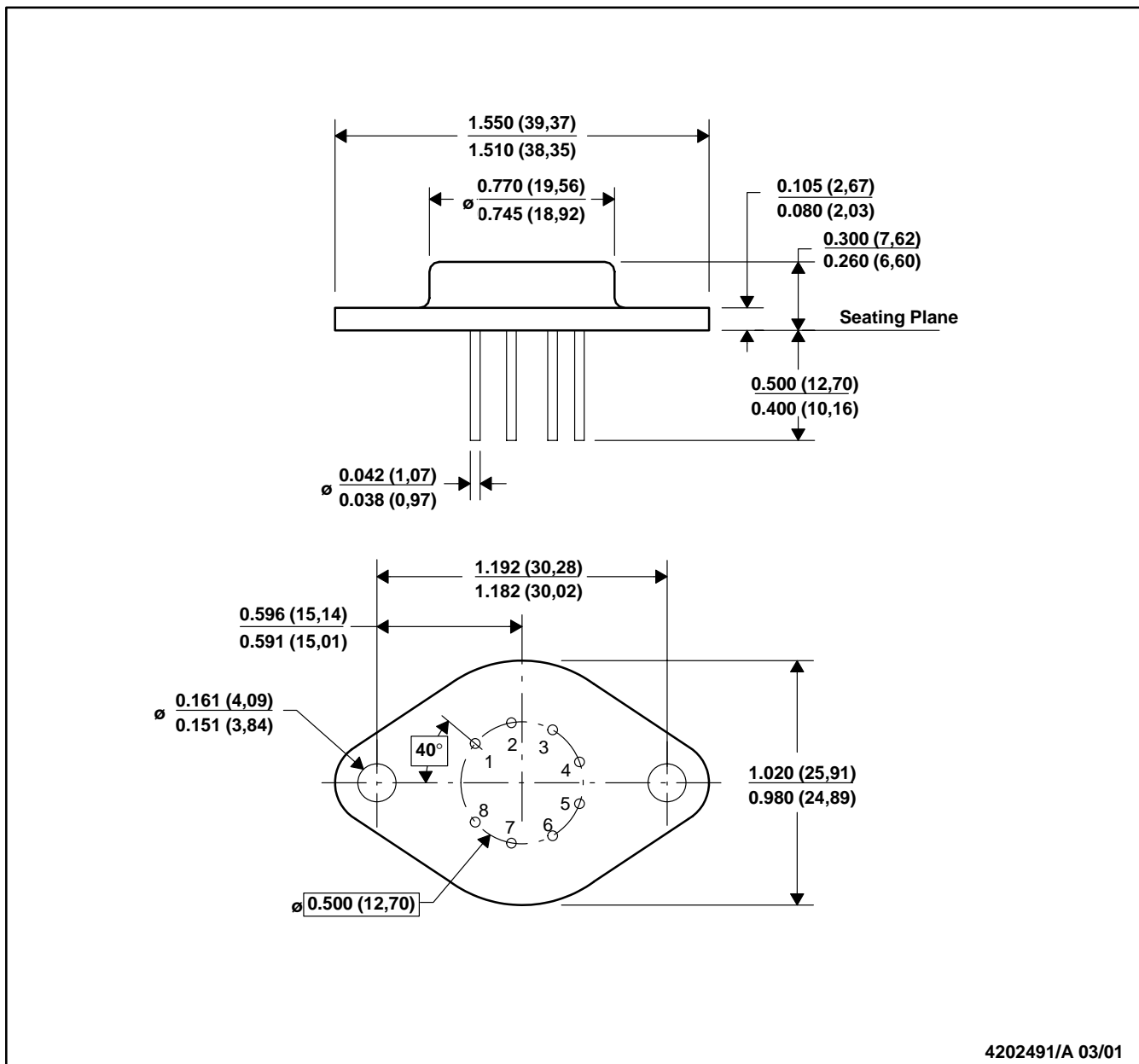
PACKAGE NUMBER: ZZ030      REV.: C  
 JEDEC NUMBER: UNKNOWN



PACKAGE DRAWING

LMF (O-MBCY-W8)

METAL CYLINDRICAL PACKAGE



4202491/A 03/01

- NOTES:
- A. All linear dimensions are in inches (millimeters).
  - B. This drawing is subject to change without notice.
  - C. Leads in true position within 0.010 (0,25) R @ MMC at seating plane.
  - D. Pin numbers shown for reference only. Numbers may not be marked on package.

## IMPORTANT NOTICE

Texas Instruments Incorporated and its subsidiaries (TI) reserve the right to make corrections, enhancements, improvements and other changes to its semiconductor products and services per JESD46, latest issue, and to discontinue any product or service per JESD48, latest issue. Buyers should obtain the latest relevant information before placing orders and should verify that such information is current and complete. All semiconductor products (also referred to herein as "components") are sold subject to TI's terms and conditions of sale supplied at the time of order acknowledgment.

TI warrants performance of its components to the specifications applicable at the time of sale, in accordance with the warranty in TI's terms and conditions of sale of semiconductor products. Testing and other quality control techniques are used to the extent TI deems necessary to support this warranty. Except where mandated by applicable law, testing of all parameters of each component is not necessarily performed.

TI assumes no liability for applications assistance or the design of Buyers' products. Buyers are responsible for their products and applications using TI components. To minimize the risks associated with Buyers' products and applications, Buyers should provide adequate design and operating safeguards.

TI does not warrant or represent that any license, either express or implied, is granted under any patent right, copyright, mask work right, or other intellectual property right relating to any combination, machine, or process in which TI components or services are used. Information published by TI regarding third-party products or services does not constitute a license to use such products or services or a warranty or endorsement thereof. Use of such information may require a license from a third party under the patents or other intellectual property of the third party, or a license from TI under the patents or other intellectual property of TI.

Reproduction of significant portions of TI information in TI data books or data sheets is permissible only if reproduction is without alteration and is accompanied by all associated warranties, conditions, limitations, and notices. TI is not responsible or liable for such altered documentation. Information of third parties may be subject to additional restrictions.

Resale of TI components or services with statements different from or beyond the parameters stated by TI for that component or service voids all express and any implied warranties for the associated TI component or service and is an unfair and deceptive business practice. TI is not responsible or liable for any such statements.

Buyer acknowledges and agrees that it is solely responsible for compliance with all legal, regulatory and safety-related requirements concerning its products, and any use of TI components in its applications, notwithstanding any applications-related information or support that may be provided by TI. Buyer represents and agrees that it has all the necessary expertise to create and implement safeguards which anticipate dangerous consequences of failures, monitor failures and their consequences, lessen the likelihood of failures that might cause harm and take appropriate remedial actions. Buyer will fully indemnify TI and its representatives against any damages arising out of the use of any TI components in safety-critical applications.

In some cases, TI components may be promoted specifically to facilitate safety-related applications. With such components, TI's goal is to help enable customers to design and create their own end-product solutions that meet applicable functional safety standards and requirements. Nonetheless, such components are subject to these terms.

No TI components are authorized for use in FDA Class III (or similar life-critical medical equipment) unless authorized officers of the parties have executed a special agreement specifically governing such use.

Only those TI components which TI has specifically designated as military grade or "enhanced plastic" are designed and intended for use in military/aerospace applications or environments. Buyer acknowledges and agrees that any military or aerospace use of TI components which have **not** been so designated is solely at the Buyer's risk, and that Buyer is solely responsible for compliance with all legal and regulatory requirements in connection with such use.

TI has specifically designated certain components which meet ISO/TS16949 requirements, mainly for automotive use. Components which have not been so designated are neither designed nor intended for automotive use; and TI will not be responsible for any failure of such components to meet such requirements.

### Products

Audio	<a href="http://www.ti.com/audio">www.ti.com/audio</a>
Amplifiers	<a href="http://amplifier.ti.com">amplifier.ti.com</a>
Data Converters	<a href="http://dataconverter.ti.com">dataconverter.ti.com</a>
DLP® Products	<a href="http://www.dlp.com">www.dlp.com</a>
DSP	<a href="http://dsp.ti.com">dsp.ti.com</a>
Clocks and Timers	<a href="http://www.ti.com/clocks">www.ti.com/clocks</a>
Interface	<a href="http://interface.ti.com">interface.ti.com</a>
Logic	<a href="http://logic.ti.com">logic.ti.com</a>
Power Mgmt	<a href="http://power.ti.com">power.ti.com</a>
Microcontrollers	<a href="http://microcontroller.ti.com">microcontroller.ti.com</a>
RFID	<a href="http://www.ti-rfid.com">www.ti-rfid.com</a>
OMAP Applications Processors	<a href="http://www.ti.com/omap">www.ti.com/omap</a>
Wireless Connectivity	<a href="http://www.ti.com/wirelessconnectivity">www.ti.com/wirelessconnectivity</a>

### Applications

Automotive and Transportation	<a href="http://www.ti.com/automotive">www.ti.com/automotive</a>
Communications and Telecom	<a href="http://www.ti.com/communications">www.ti.com/communications</a>
Computers and Peripherals	<a href="http://www.ti.com/computers">www.ti.com/computers</a>
Consumer Electronics	<a href="http://www.ti.com/consumer-apps">www.ti.com/consumer-apps</a>
Energy and Lighting	<a href="http://www.ti.com/energy">www.ti.com/energy</a>
Industrial	<a href="http://www.ti.com/industrial">www.ti.com/industrial</a>
Medical	<a href="http://www.ti.com/medical">www.ti.com/medical</a>
Security	<a href="http://www.ti.com/security">www.ti.com/security</a>
Space, Avionics and Defense	<a href="http://www.ti.com/space-avionics-defense">www.ti.com/space-avionics-defense</a>
Video and Imaging	<a href="http://www.ti.com/video">www.ti.com/video</a>

### TI E2E Community

[e2e.ti.com](http://e2e.ti.com)