



Precision Picoampere Input Current Quad Operational Amplifier

OP-497

FEATURES

- Low Offset Voltage: 50 μV max
- Low Offset Voltage Drift: 0.5 $\mu\text{V}/^\circ\text{C}$ max
- Very Low Bias Current
 - +25 $^\circ\text{C}$: 100 pA max
 - 55 $^\circ\text{C}$ to +125 $^\circ\text{C}$: 450 pA max
- Very High Open-Loop Gain: 2000 V/mV min
- Low Supply Current (per Amplifier): 625 μA max
- Operates from $\pm 2\text{ V}$ to $\pm 20\text{ V}$ Supplies
- High Common-Mode Rejection: 120 dB min

APPLICATIONS

- Strain Gage and Bridge Amplifiers
- High Stability Thermocouple Amplifiers
- Instrumentation Amplifiers
- Photo-Current Monitors
- High-Gain Linearity Amplifiers
- Long-Term Integrators/Filters
- Sample-and-Hold Amplifiers
- Peak Detectors
- Logarithmic Amplifiers
- Battery-Powered Systems

GENERAL DESCRIPTION

The OP-497 is a quad op amp with precision performance in the space saving, industry standard 16-pin SOIC package. Its combination of exceptional precision with low power and extremely low input bias current makes the quad OP-497 useful in a wide variety of applications.

Precision performance of the OP-497 includes very low offset, under 50 μV , and low drift, below 0.5 $\mu\text{V}/^\circ\text{C}$. Open-loop gain exceeds 2000 V/mV insuring high linearity in every application. Errors due to common-mode signals are eliminated by the OP-497's common-mode rejection of over 120 dB. The OP-497's power supply rejection of over 120 dB minimizes offset voltage changes experienced in battery powered systems. Supply current of the OP-497 is under 625 μA per amplifier, and it can operate with supply voltages as low as $\pm 2\text{ V}$.

The OP-497 utilizes a superbeta input stage with bias current cancellation to maintain picoamp bias currents at all temperatures. This is in contrast to FET input op amps whose bias currents start in the picoamp range at 25 $^\circ\text{C}$, but double for every 10 $^\circ\text{C}$ rise in temperature, to reach the nanoamp range above 85 $^\circ\text{C}$. Input bias current of the OP-497 is under 100 pA at 25 $^\circ\text{C}$ and is under 450 pA over the military temperature range.

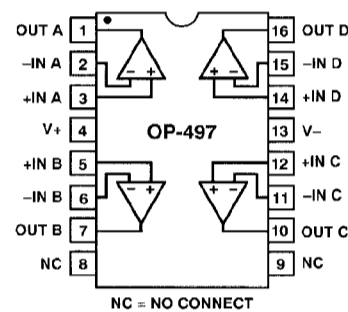
Combining precision, low power and low bias current, the OP-497 is ideal for a number of applications including instrumentation amplifiers, log amplifiers, photo-diode preamplifiers and long term integrators. For a single device see the OP-97, for a dual see the OP-297.

REV. C

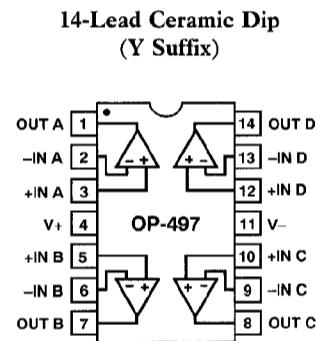
Information furnished by Analog Devices is believed to be accurate and reliable. However, no responsibility is assumed by Analog Devices for its use, nor for any infringements of patents or other rights of third parties which may result from its use. No license is granted by implication or otherwise under any patent or patent rights of Analog Devices.

PIN CONNECTIONS

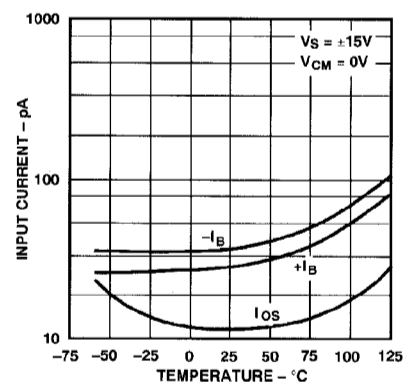
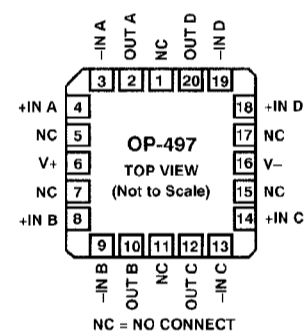
16-Lead Wide Body SOIC (S Suffix)



14-Lead Plastic Dip (P Suffix)



20-Position Chip Carrier (RC Suffix)



Input Bias, Offset Current vs. Temperature

OP-497 — SPECIFICATIONS

ELECTRICAL CHARACTERISTICS (@ $V_S = \pm 15\text{ V}$, $T_A = +25^\circ\text{C}$ unless otherwise specified)

Parameter	Symbol	Condition	A			B/F			C/G			Units
			Min	Typ	Max	Min	Typ	Max	Min	Typ	Max	
INPUT CHARACTERISTICS												
Offset Voltage	V_{OS}	$-40^\circ\text{C} \leq T_A \leq +85^\circ\text{C}$ $-55^\circ\text{C} \leq T_A \leq +125^\circ\text{C}$	20	50		40	75		80	150		μV
Average Input Offset Voltage Drift	TCV_{OS}	$T_{min} - T_{max}$	40	100		80	150		140	300		$\mu\text{V}/^\circ\text{C}$
Long Term Input Offset Voltage Stability			0.2	0.5		0.4	1.0		0.6	1.5		$\mu\text{V}/\text{Mo}$
Input Bias Current	I_B	$V_{CM} = 0\text{ V}$ $-40^\circ\text{C} \leq T_A \leq +85^\circ\text{C}$ $-55^\circ\text{C} \leq T_A \leq +125^\circ\text{C}$	30	100		40	150		60	200		pA
Average Input Bias Current Drift	TC_{IB}	$-40^\circ\text{C} \leq T_A \leq +85^\circ\text{C}$ $-55^\circ\text{C} \leq T_A \leq +125^\circ\text{C}$	80	450		110	600		130	600		$\text{pA}/^\circ\text{C}$
Input Offset Current	I_{OS}	$V_{CM} = 0\text{ V}$ $40^\circ\text{C} \leq T_A \leq +85^\circ\text{C}$ $-55^\circ\text{C} \leq T_A \leq +125^\circ\text{C}$	15	100		30	150		50	200		pA
Average Input Offset Current Drift	TC_{IOS}		35	400		60	600		90	600		$\text{pA}/^\circ\text{C}$
Input Voltage Range ¹	IVR		± 13	± 14		± 13	± 14		± 13	± 14		V
Common-Mode Rejection	CMR	$T_{min} - T_{max}$ $V_{CM} = \pm 13\text{ V}$ $T_{min} - T_{max}$	± 13	± 13.5		± 13	± 13.5		± 13	± 13.5		dB
Large Signal Voltage Gain	A_{VO}	$V_O = \pm 10\text{ V}$, $R_L = 2\text{ k}\Omega$ $-40^\circ\text{C} < T_A < +85^\circ\text{C}$ $-55^\circ\text{C} < T_A < +125^\circ\text{C}$	2000	6000		1500	4000		1200	4000		V/mV
Input Resistance Differential Mode	R_{IN}		1200	4000		800	2000		800	2000		$\text{M}\Omega$
Input Resistance Common Mode	R_{INCM}		30			30			30			$\text{G}\Omega$
Input Capacitance	C_{IN}		500			500			500			pF
			3			3			3			
OUTPUT CHARACTERISTICS												
Output Voltage Swing	V_O	$R_L = 2\text{ k}\Omega$ $R_L = 10\text{ k}\Omega$ $T_{min} - T_{max}$, $R_L = 10\text{ k}\Omega$	± 13	± 13.7		± 13	± 13.7		± 13	± 13.7		V
Short Circuit	I_{SC}		± 13	± 14		± 13	± 14		± 13	± 14		mA
			± 13	± 13.5		± 13	± 13.5		± 13	± 13.5		
				± 25			± 25			± 25		
POWER SUPPLY												
Power Supply Rejection Ratio	PSRR	$V_S = \pm 2\text{ V}$ to $\pm 20\text{ V}$ $V_S = \pm 2.5\text{ V}$ to $\pm 20\text{ V}$ $T_{min} - T_{max}$	120	140		114	135		114	135		dB
Supply Current (per Amplifier)	I_{SY}	No Load $T_{min} - T_{max}$	114	130		108	120		108	120		μA
Supply Voltage Range	V_S	Operating Range $T_{min} - T_{max}$	± 2	± 20		± 2	± 20		± 2	± 20		V
			± 2.5	± 20		± 2.5	± 20		± 2.5	± 20		
DYNAMIC PERFORMANCE												
Slew Rate	SR		0.05	0.15		0.05	0.15		0.05	0.15		$\text{V}/\mu\text{s}$
Gain Bandwidth Product	GBW			500			500			500		kHz
Channel Separation	CS	$V_O = 20\text{ V}$ p-p, $f_o = 10\text{ Hz}$		150			150			150		dB
NOISE PERFORMANCE												
Voltage Noise	e_n p-p	0.1 Hz to 10 Hz		0.3			0.3			0.3		$\mu\text{V p-p}$
Voltage Noise Density	$e_n = 10\text{ Hz}$			17			17			17		$\text{nV}/\sqrt{\text{Hz}}$
	$e_n = 1\text{ kHz}$			15			15			15		$\text{nV}/\sqrt{\text{Hz}}$
Current Noise Density	$i_n = 10\text{ Hz}$			20			20			20		$\text{fA}/\sqrt{\text{Hz}}$

NOTE

¹Guaranteed by CMR Test.

Specifications subject to change without notice.

WAFER TEST LIMITS (@ $V_S = \pm 15\text{ V}$, $T_A = +25^\circ\text{C}$, unless otherwise noted)

Parameter	Symbol	Condition	OP-497 GBC Limit	Units
Input Offset Voltage	V_{OS}		150	μV max
Input Offset Current	I_{OS}	$V_{CM} = 0\text{ V}$	150	pA max
Input Bias Current	I_B	$V_{CM} = 0\text{ V}$	150	pA max
Input Voltage Range ¹	IVR		± 13	V min
Large Signal Voltage Gain	A_{VO}	$V_O = \pm 10\text{ V}$, $R_L \leq 10\text{ k}\Omega$	1500	V/mV min
Common-Mode Rejection	CMR	$V_{CM} = \pm 13\text{ V}$	114	dB min
Power Supply Rejection	PSR	$V_S = \pm 2\text{ V}$ to $\pm 20\text{ V}$	114	dB min
Output Voltage Swing	V_O	$R_L \leq 10\text{ k}\Omega$	± 13	V min
		$R_L \leq 2\text{ k}\Omega$	± 13	V min
Supply Current per Amplifier	I_{SY}	No Load	625	μA max

NOTE

¹Guaranteed by CMR test. Electrical tests are performed at wafer probe to the limits shown. Due to variations in assembly methods and normal yield loss, yield after packaging is not guaranteed for standard product dice. Consult factory to negotiate specifications based on dice lot qualifications through sample lot assembly and testing.

ABSOLUTE MAXIMUM RATINGS¹

Supply Voltage	$\pm 20\text{ V}$
Input Voltage ²	$+20\text{ V}$
Differential Input Voltage ²	40 V
Output Short-Circuit Duration	Indefinite
Storage Temperature Range	
Y, RC Package	-65°C to $+175^\circ\text{C}$
P, S Package	-65°C to $+150^\circ\text{C}$
Operating Temperature Range	
OP-497A, B, C (Y)	-55°C to $+125^\circ\text{C}$
OP-497F, G (Y)	-40°C to $+85^\circ\text{C}$
OP-497F, G (P, S)	-40°C to $+85^\circ\text{C}$
Junction Temperature	
Y, RC Package	-65°C to $+175^\circ\text{C}$
P, S Package	-65°C to $+150^\circ\text{C}$
Lead Temperature Range (Soldering, 60 sec)	$+300^\circ\text{C}$

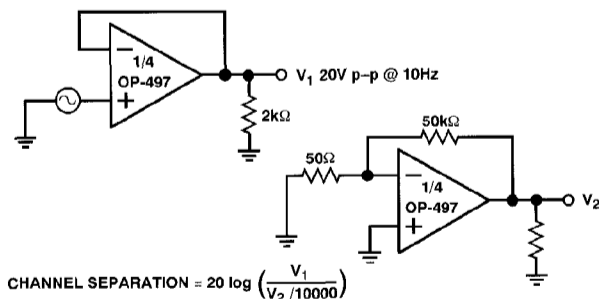
Package Type	θ_{JA} ³	θ_{JC}	Units
14-Pin Cerdip (Y)	94	10	$^\circ\text{C/W}$
14-Pin Plastic DIP (P)	76	33	$^\circ\text{C/W}$
20-Contact LCC (RC)	78	33	$^\circ\text{C/W}$
16-Pin SOIC (S)	92	23	$^\circ\text{C/W}$

NOTES

¹Absolute maximum ratings apply to both DICE and packaged parts, unless otherwise noted.

²For supply voltages less than $\pm 20\text{ V}$, the absolute maximum input voltage is equal to the supply voltage.

³ θ_{JA} is specified for worst case mounting conditions, i.e., θ_{JA} is specified for device in socket for cerdip, P-DIP, and LCC packages; θ_{JA} is specified for device soldered to printed circuit board for SOIC package.

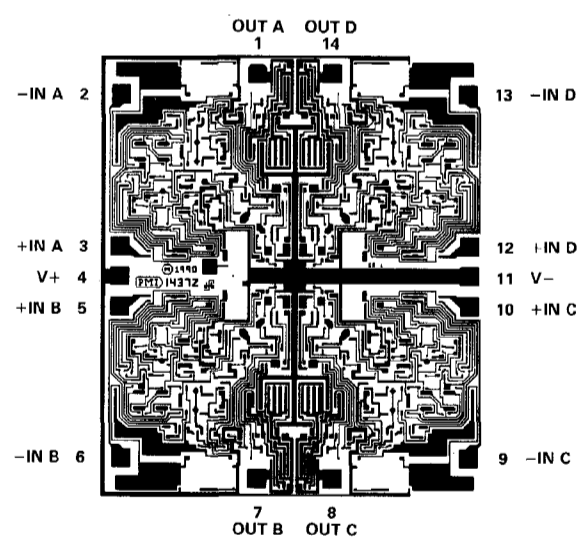


Channel Separation Test Circuit

ORDERING GUIDE

Model	Temperature Range	Package Description	Package Option
OP497AY	-55°C to $+125^\circ\text{C}$	14-Pin Cerdip	Q-14
OP497BY	-55°C to $+125^\circ\text{C}$	14-Pin Cerdip	Q-14
OP497CY	-55°C to $+125^\circ\text{C}$	14-Pin Cerdip	Q-14
OP497BRC/883	-55°C to $+125^\circ\text{C}$	20-Contact LCC	E-20A
OP497FY	-40°C to $+85^\circ\text{C}$	14-Pin Cerdip	Q-14
OP497FP	-40°C to $+85^\circ\text{C}$	14-Pin Plastic DIP	N-14
OP497FS	-40°C to $+85^\circ\text{C}$	16-Pin SOIC	R-16
OP497GY	-40°C to $+85^\circ\text{C}$	14-Pin Cerdip	Q-14
OP497GP	-40°C to $+85^\circ\text{C}$	14-Pin Plastic DIP	N-14
OP497GS	-40°C to $+85^\circ\text{C}$	16-Pin SOIC	R-16

DICE CHARACTERISTICS



Die Size 0.112×0.129 inch, 14,448 sq. mils

OP-497 — Typical Characteristics (@ +25°C, $V_S = \pm 15\text{ V}$, unless otherwise noted)

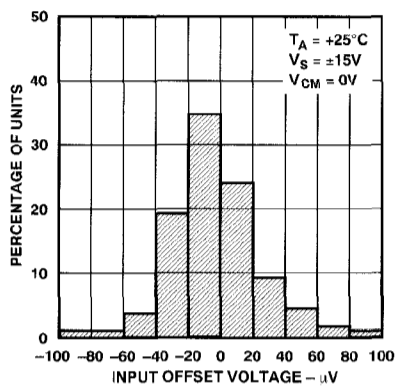


Figure 1. Typical Distribution of Input Offset Voltage

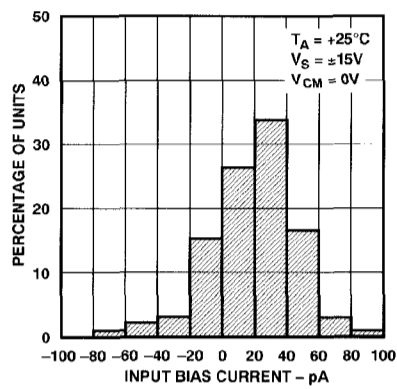


Figure 2. Typical Distribution of Input Bias Current

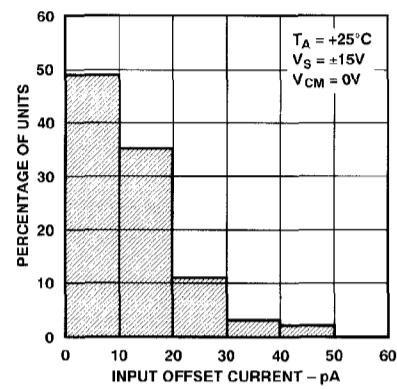


Figure 3. Typical Distribution of Input Offset Current

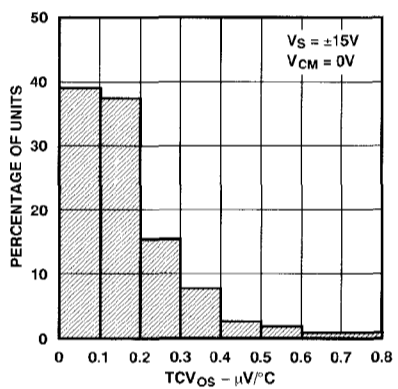


Figure 4. Typical Distribution of TCV_{OS}

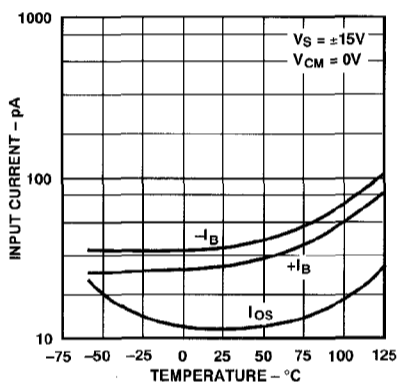


Figure 5. Input Bias, Offset Current vs. Temperature

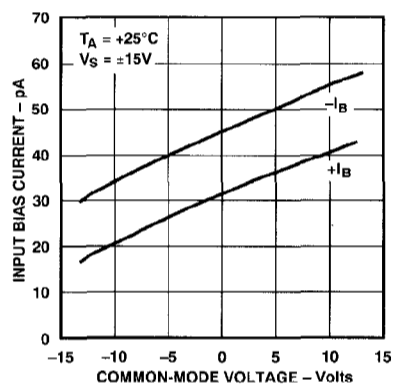


Figure 6. Input Bias Current vs. Common-Mode Voltage

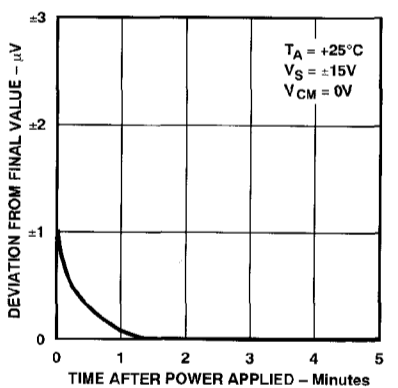


Figure 7. Input Offset Voltage Warm-Up Drift

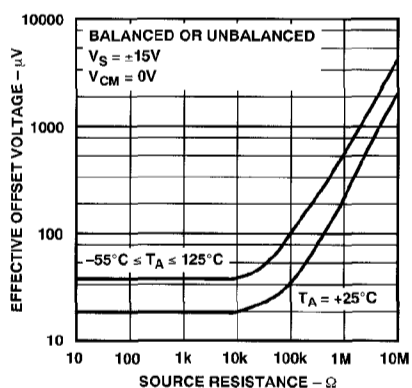


Figure 8. Effective Offset Voltage vs. Source Resistance

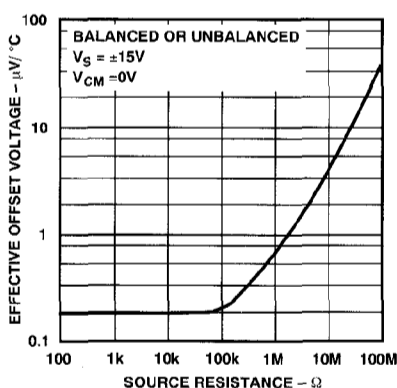


Figure 9. Effective TCV_{OS} vs. Source Resistance

Typical Characteristics (@ +25°C, $V_S = \pm 15$ V, unless otherwise noted) — **OP-497**

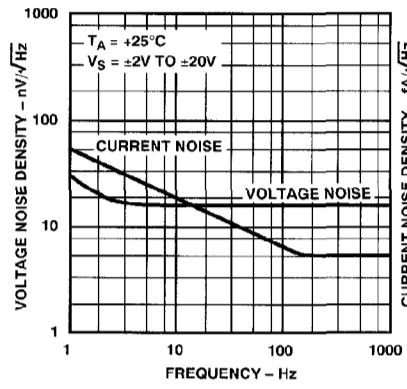


Figure 10. Voltage Noise Density vs. Frequency

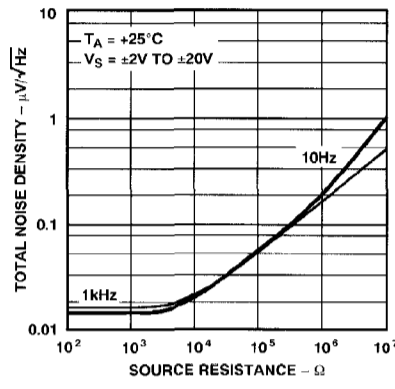


Figure 11. Total Noise Density vs. Source Resistance

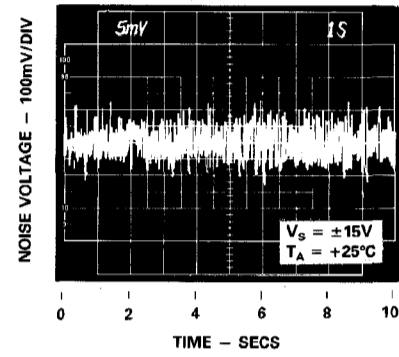


Figure 12. 0.1 Hz to 10 Hz Noise Voltage

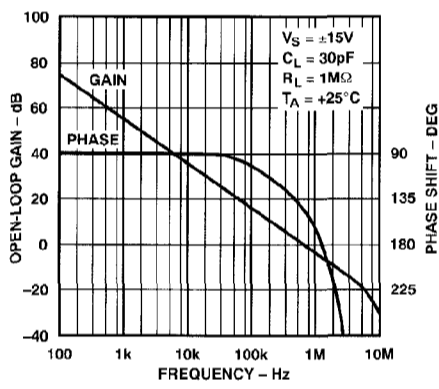


Figure 13. Open-Loop Gain, Phase vs. Frequency

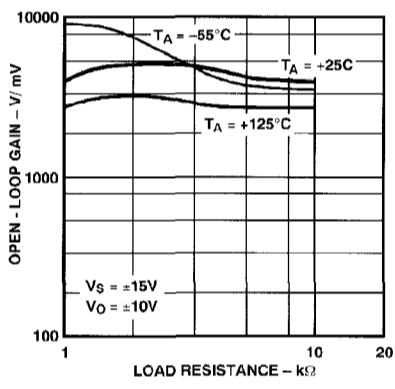


Figure 14. Open-Loop Gain vs. Load Resistance

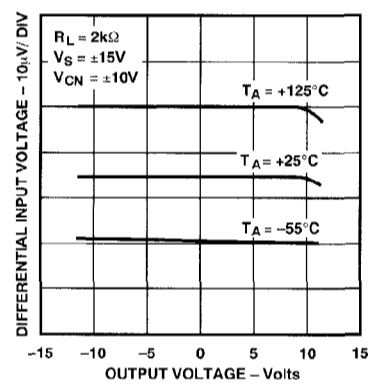


Figure 15. Open-Loop Gain Linearity

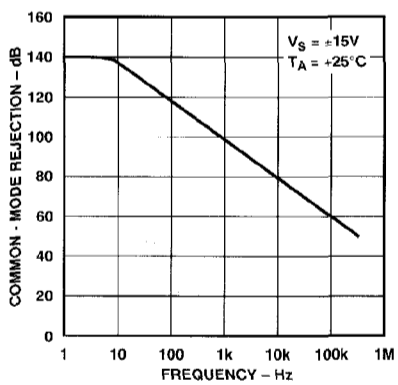


Figure 16. Common-Mode Rejection vs. Frequency

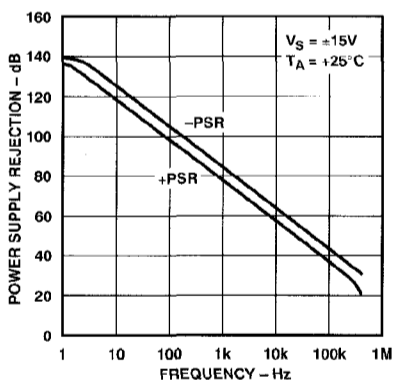


Figure 17. Power Supply Rejection vs. Frequency

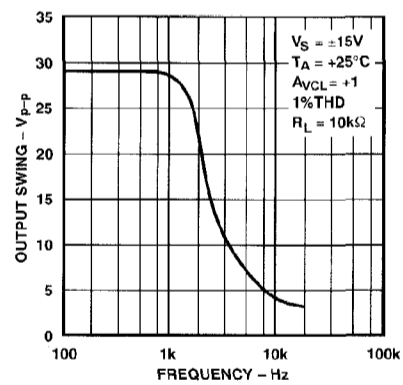


Figure 18. Maximum Output Swing vs. Frequency

OP-497—Typical Characteristics (@ +25°C, $V_S = \pm 15\text{ V}$, unless otherwise noted)

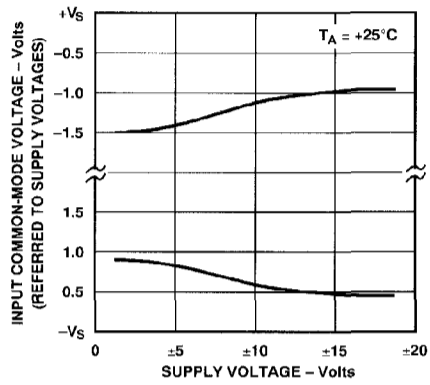


Figure 19. Input Common-Mode Voltage Range vs. Supply Voltage

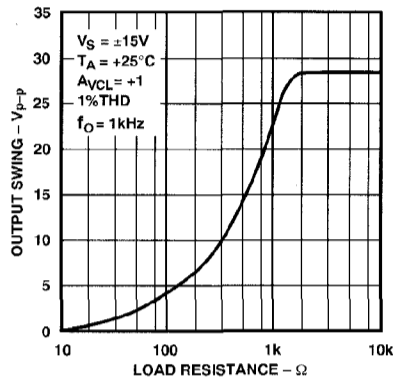


Figure 20. Maximum Output Swing vs. Load Resistance

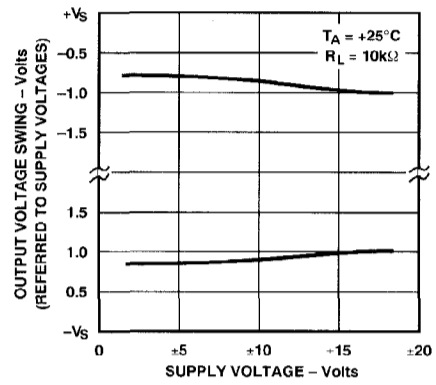


Figure 21. Output Voltage Swing vs. Supply Voltage

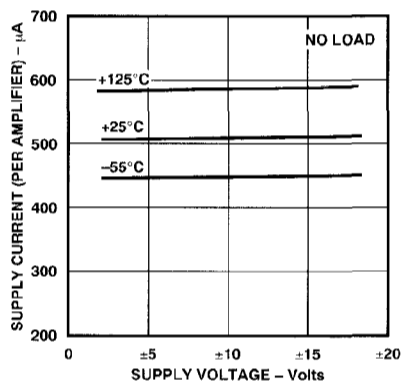


Figure 22. Supply Current (per Amplifier) vs. Supply Voltage

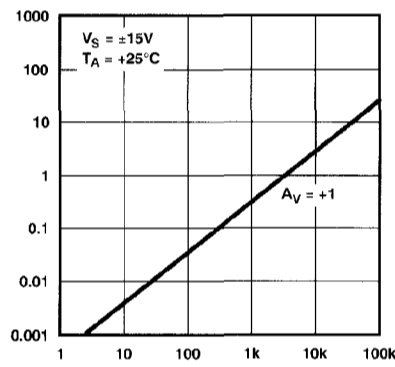


Figure 23. Closed-Loop Output Impedance vs. Frequency

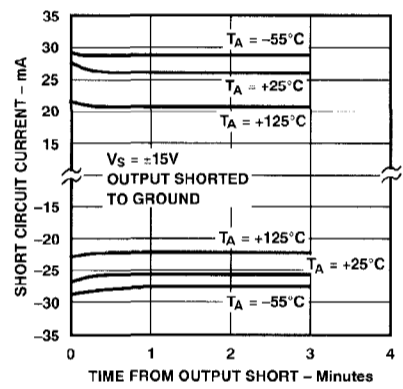


Figure 24. Short-Circuit Current vs. Time Temperature

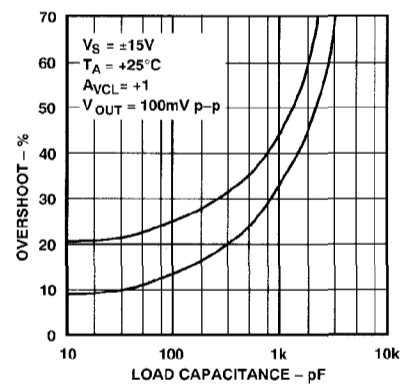


Figure 25. Small-Signal Overshoot vs. Capacitance Load

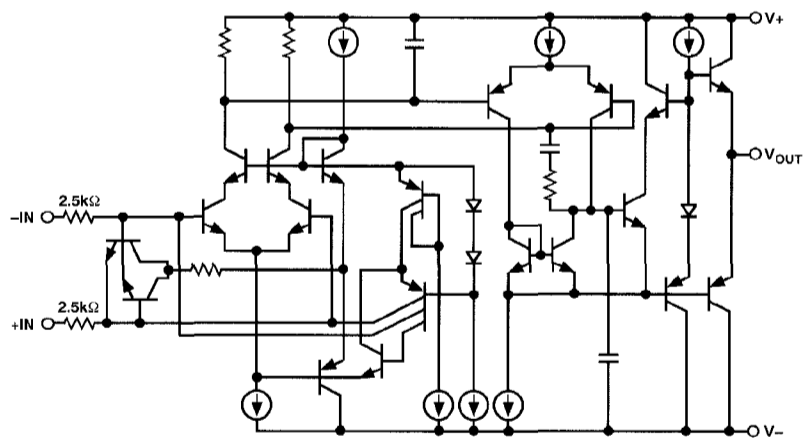


Figure 26. Simplified Schematic Showing One Amplifier

APPLICATIONS INFORMATION

Extremely low bias current over the full military temperature range makes the OP-497 attractive for use in sample-and-hold amplifiers, peak detectors, and log amplifiers that must operate over a wide temperature range. Balancing input resistances is not necessary with the OP-497. Offset voltage and TCV_{OS} are degraded only minimally by high source resistance, even when unbalanced.

The input pins of the OP-497 are protected against large differential voltage by back-to-back diodes and current-limiting resistors. Common-mode voltages at the inputs are not restricted, and may vary over the full range of the supply voltages used.

The OP-497 requires very little operating headroom about the supply rails, and is specified for operation with supplies as low as ± 2 V. Typically, the common-mode range extends to within one volt of either rail. The output typically swings to within one volt of the rails when using a 10 k Ω load.

AC PERFORMANCE

The OP-497's ac characteristics are highly stable over its full operating temperature range. Unity-gain small-signal response is shown in Figure 27. Extremely tolerant of capacitive loading on the output, the OP-497 displays excellent response even with 1000 pF loads (Figure 28).

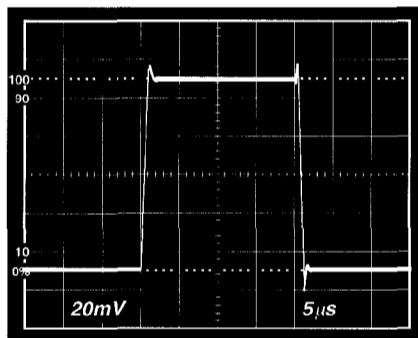


Figure 27. Small Signal Transient Response ($C_{LOAD} = 100$ pF, $A_{VCL} = +1$)

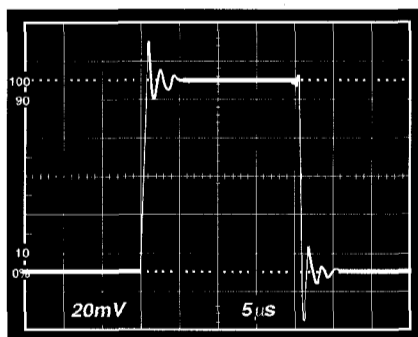


Figure 28. Small Signal Transient Response ($C_{LOAD} = 1000$ pF, $A_{VCL} = +1$)

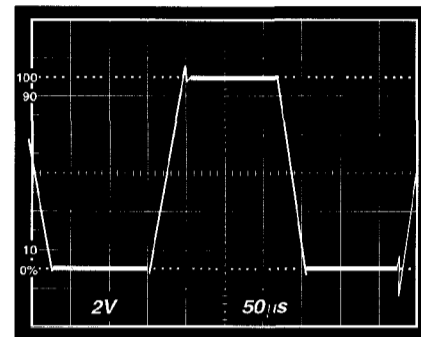


Figure 29. Large Signal Transient Response ($A_{VCL} = +1$)

GUARDING AND SHIELDING

To maintain the extremely high input impedances of the OP-497, care must be taken in circuit board layout and manufacturing. Board surfaces must be kept scrupulously clean and free of moisture. Conformal coating is recommended to provide a humidity barrier. Even a clean PC board can have 100 pA of leakage currents between adjacent traces, so guard rings should be used around the inputs. Guard traces are operated at a voltage close to that on the inputs, as shown in Figure 30, so that leakage currents become minimal. In noninverting applications, the guard ring should be connected to the common-mode voltage at the inverting input. In inverting applications, both inputs remain at ground, so the guard trace should be grounded. Guard traces should be on both sides of the circuit board.

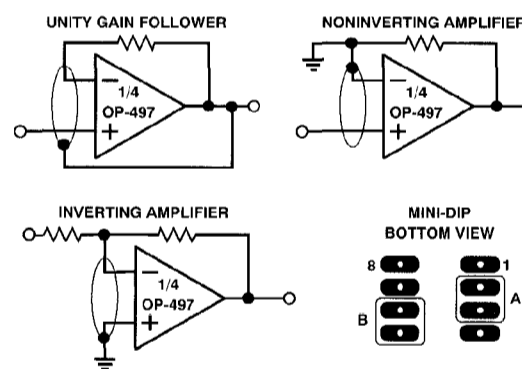


Figure 30. Guard Ring Layout and Connections

OP-497

OPEN-LOOP GAIN LINEARITY

The OP-497 has both an extremely high gain of 2000 V/mv minimum and constant gain linearity. This enhances the precision of the OP-497 and provides for very high accuracy in high closed-loop gain applications. Figure 31 illustrates the typical open-loop gain linearity of the OP-497 over the military temperature range.

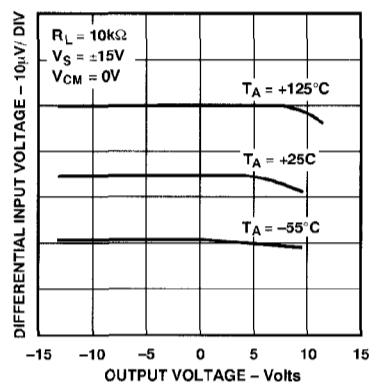


Figure 31. Open-Loop Linearity of the OP-497

APPLICATIONS

Precision Absolute Value Amplifier

The circuit of Figure 32 is a precision absolute value amplifier with an input impedance of 30 MΩ. The high gain and low TCV_{OS} of the OP-497 insure accurate operation with microvolt input signals. In this circuit, the input always appears as a common-mode signal to the op amps. The CMR of the OP-497 exceeds 120 dB, yielding an error of less than 2 ppm.

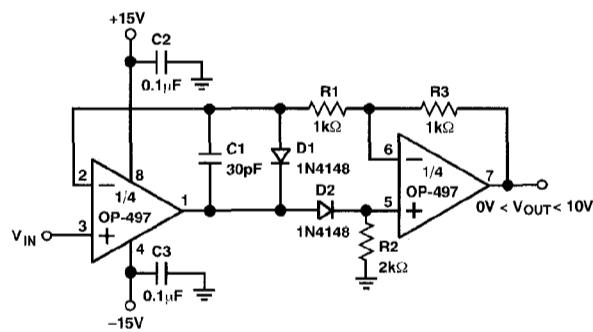


Figure 32. Precision Absolute Value Amplifier

PRECISION CURRENT PUMP

Maximum output current of the precision current pump shown in Figure 33 is ±10 mA. Voltage compliance is ±10 V with ±15 V supplies. Output impedance of the current transmitter exceeds 3 MΩ with linearity better than 16 bits.

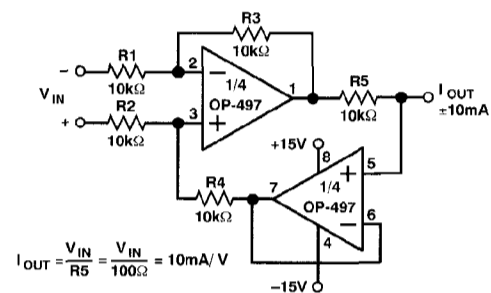


Figure 33. Precision Current Pump

PRECISION POSITIVE PEAK DETECTOR

In Figure 34, the C_H must be of polystyrene, Teflon*, or polyethylene to minimize dielectric absorption and leakage. The droop rate is determined by the size of C_H and the bias current of the OP-497.

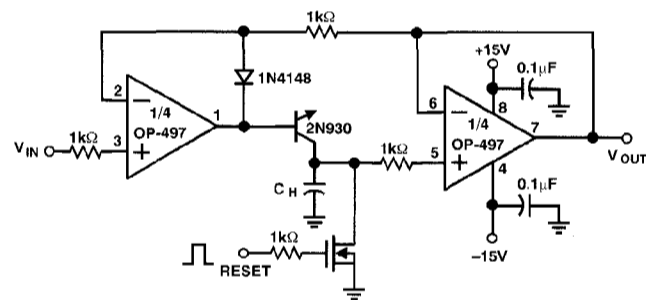


Figure 34. Precision Positive Peak Detector

SIMPLE BRIDGE CONDITIONING AMPLIFIER

Figure 35 shows a simple bridge conditioning amplifier using the OP-497. The transfer function is:

$$V_{OUT} = V_{REF} \left(\frac{\Delta R}{R + \Delta R} \right) \frac{R_F}{R}$$

The REF-43 provides an accurate and stable reference voltage for the bridge. To maintain the highest circuit accuracy, R_F should be 0.1% or better with a low temperature coefficient.

*Teflon is a registered trademark of the Dupont Company.

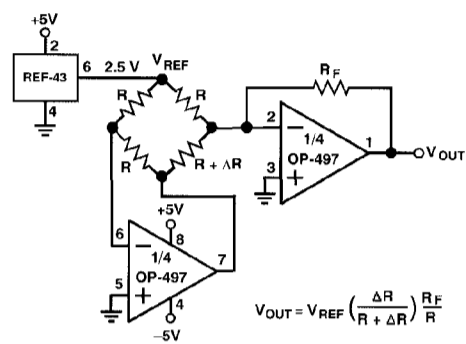


Figure 35. A Simple Bridge Conditioning Amplifier Using the OP-497

NONLINEAR CIRCUITS

Due to its low input bias currents, the OP-497 is an ideal log amplifier in nonlinear circuits such as the square and square-root circuits shown in Figures 36 and 37. Using the squaring circuit of Figure 36 as an example, the analysis begins by writing a voltage loop equation across transistors Q₁, Q₂, Q₃ and Q₄.

$$V_{T1} \ln \left(\frac{I_{IN}}{I_{S1}} \right) + V_{T2} \ln \left(\frac{I_{IN}}{I_{S2}} \right) = V_{T3} \ln \left(\frac{I_{IO}}{I_{S3}} \right) + V_{T4} \ln \left(\frac{I_{REF}}{I_{S4}} \right)$$

All the transistors of the MAT-04 are precisely matched and at the same temperature, so the I_S and V_T terms cancel, giving:

$$2 \ln I_{IN} = \ln I_{IO} + \ln I_{REF} = \ln (I_{IO} \times I_{REF})$$

Exponentiating both sides of the equation leads to:

$$I_{IO} = \frac{I_{IN}^2}{I_{REF}}$$

Op amp A₂ forms a current-to-voltage converter which gives V_{OUT} = R₂ × I_{IO}. Substituting (V_{IN}/R₁) for I_{IN} and the above equation for I_{IO} yields:

$$V_{OUT} = \left(\frac{R_2}{I_{REF}} \right) \left(\frac{V_{IN}}{R_1} \right)^2$$

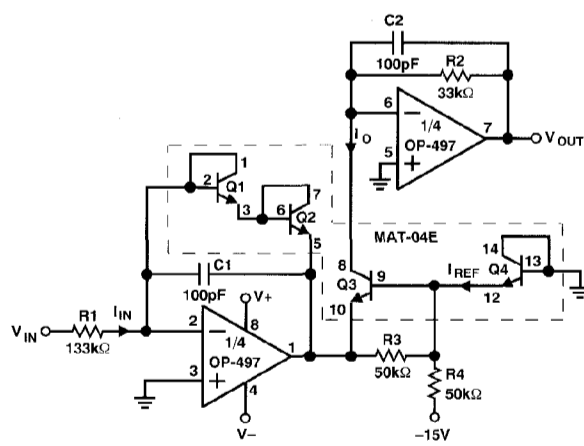


Figure 36. Squaring Amplifier

A similar analysis made for the square-root circuit of Figure 37 leads to its transfer function:

$$V_{OUT} = R_2 \sqrt{\frac{V_{IN}}{R_1} \frac{I_{REF}}{R_1}}$$

In these circuits, I_{REF} is a function of the negative power supply. To maintain accuracy, the negative supply should be well regulated. For applications where very high accuracy is required, a voltage reference may be used to set I_{REF}. An important consideration for the squaring circuit is that a sufficiently large input voltage can force the output beyond the operating range of the output op amp. Resistor R₄ can be changed to scale I_{REF}, or R₁ and R₂ can be varied to keep the output voltage within the usable range.

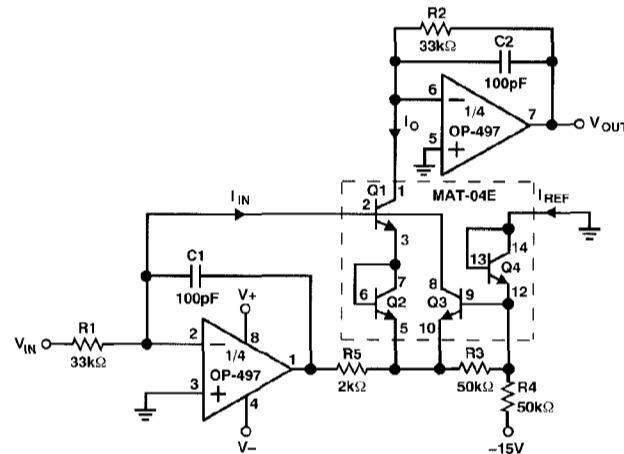


Figure 37. Square Root Amplifier

Unadjusted accuracy of the square-root circuit is better than 0.1% over an input voltage range of 100 mV to 10 V. For a similar input voltage range, the accuracy of the squaring circuit is better than 0.5%.

OP-497

OP-497 SPICE MACRO-MODEL

Figure 38 and Table I show the node and net list for a SPICE macro-model of the OP-497. The model is a simplified version of the actual device and simulates important dc parameters such as V_{OS} , I_{OS} , I_B , A_{VO} , CMR , V_O and I_{SY} . AC parameters such as slew rate, gain and phase response and CMR change with frequency are also simulated by the model.

The model uses typical parameters for the OP-497. The poles and zeros in the model were determined from the actual open and closed-loop gain and phase response of the OP-497. In this way, the model presents an accurate ac representation of the actual device. The model assumes an ambient temperature of 25°C.

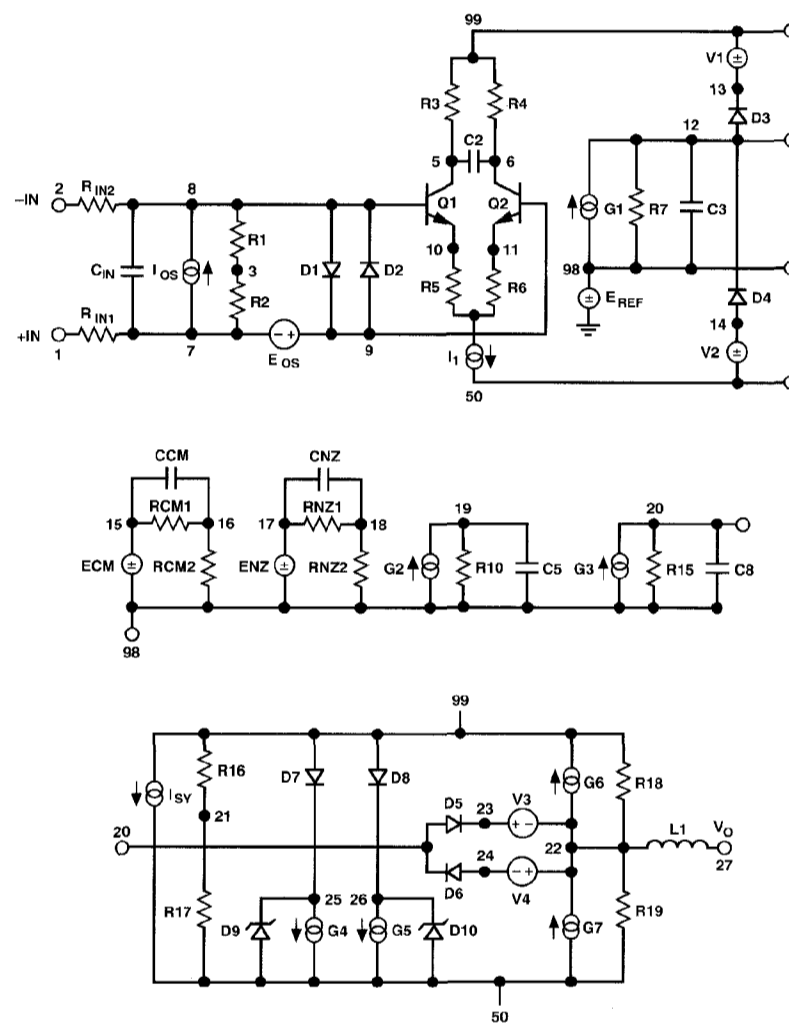


Figure 38. OP-497 Macro Model

Table I. OP-497 SPICE Net-List

```

*NODE ASSIGNMENTS
*
*          NONINVERTING INPUT
*          INVERTING INPUT
*          POSITIVE SUPPLY
*          NEGATIVE SUPPLY
*          OUTPUT
*
*SUBCKT OP-497      1 2 99 50 27
*
*INPUT STAGE & POLE AT 6 MHz
*
RIN1  1  7  2500
RIN2  2  8  2500
R1    8  3  6.782E8
R2    7  3  6.782E8
R3    5  99 542.57
R4    6  99 542.57
CIN   7  8  3E-12
C2    5  6  24.445E-12
I1    4  50 0.1E-3
IOS   7  8  15E-12
EOS   9  7  POLY(1)      16  21  40E-6  1
Q1    5  8  10      QX
Q2    6  9  11      QX
R5    10 4  25.374
R6    11 4  25.374
D1    8  9  DX
D2    9  8  DX
*
EREF  98 0  21      0  1
*
*GAIN STAGE & DOMINANT POLE AT 0.11 Hz
*
R7    12 98 2.1703E9
C3    12 98 666.67E-12
G1    98 12 5      6  1.8431E-3
V1    99 13 1.275
V2    14 50 1.275
D3    12 13 DX
D4    14 12 DX
*
*COMMON-MODE GAIN NETWORK WITH ZERO AT 50 Hz
*
RCM1  15 16 1E6
CCM   15 16 3.183E-9
RCM2  16 98 1
ECM   15 98 3      21  177.83E-3
*
*NEGATIVE ZERO AT 1.8 MHz
*
E1    17 98 12      21  1E6
R8    17 18 1E6
C4    17 18 -88.419E-15
R9    18 98 1
*
*POLE AT 6 MHz
*
G2    98 19 18      21  1E-6
R10   19 98 1E6
C5    19 98 26.526E-15
*
*POLE AT 1.8 MHz
*
G3    98 20 19      21  1E-6
R15   20 98 1E6
C8    20 98 88.419E-15
*
*OUTPUT STAGE
*
R16   99 21 160k
R17   21 50 160k
ISY   99 50 331E-6
V3    23 22 1.9
D5    20 23 DX
V4    22 24 1.9
D6    24 20 DX
D7    99 25 DX
G4    25 50 20      22  5E-3
D9    50 25 DY
D8    99 26 DX
G5    26 50 22      20  5E-3
D10   50 26 DY
G6    22 99 99      20  5E-3
R18   99 22 200
G7    50 22 20      50  5E-3
R19   22 50 200
L1    22 27 0.1E-6
*
*MODELS USED
*
.MODEL QX NPN (BF = 1.25E6)
.MODEL DX D (IS = 1E-15)
.MODEL DY D (IS = 1E-15 BV = 50)
.ENDS OP-497

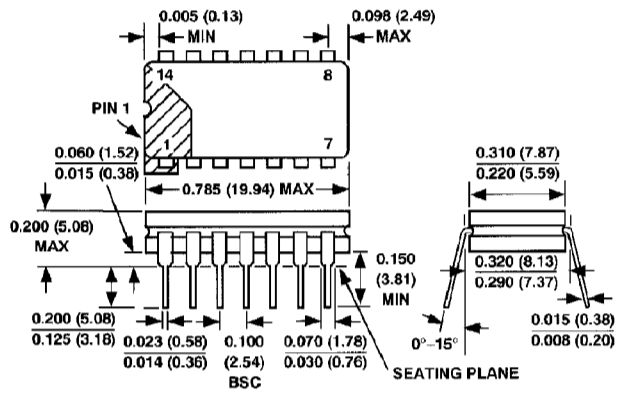
```

OP-497

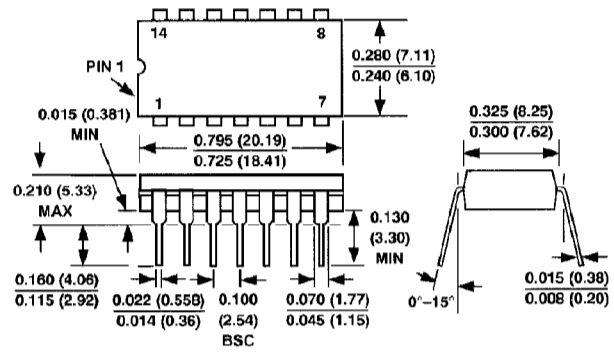
OUTLINE DIMENSIONS

(Dimensions shown in inches and (mm).)

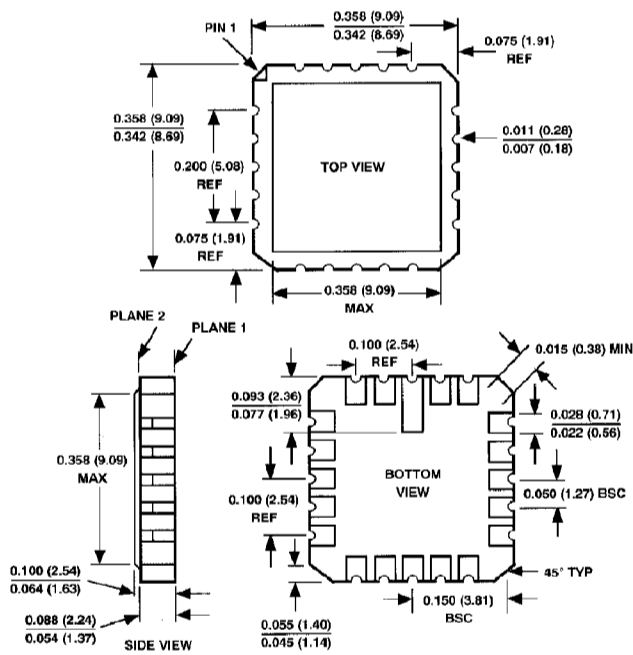
**14-Lead Ceramic DIP
(Y Suffix)**



**14-Lead Epoxy DIP
(P Suffix)**



**20-Position Chip Carrier
(RC Suffix)**



**16-Lead Wide-Body SOIC
(S Suffix)**

