

2.5-Gbps Transimpedance Amplifier With AGC and RSSI

FEATURES

- 1.8-GHz Bandwidth
- 2.6-k Ω Differential Transimpedance
- Automatic Gain Control (AGC)
- 6.6-pA/ $\sqrt{\text{Hz}}$ Typical Input Referred Noise
- 2-mA_{p-p} Maximum Input Current
- Received Signal Strength Indication (RSSI)
- CML Data Outputs With On-Chip 50- Ω Back-Termination
- On-Chip Supply Filter Capacitor
- Single 3.3-V Supply
- Die Size: 0,78 mm \times 1,18 mm

APPLICATIONS

- SONET/SDH Transmission Systems at OC24 and OC48
- 2.125-Gbps and 1.0625-Gbps Fibre-Channel Receivers
- Gigabit Ethernet Receivers
- PIN Preamplifier-Receivers

DESCRIPTION

The ONET2591TA is a high-speed transimpedance amplifier used in optical receivers with data rates up to 2.5 Gbps.

It features a low input referred noise, 1.8-GHz bandwidth, automatic gain control (AGC), 2.6-k Ω transimpedance, and received signal strength indication (RSSI).

The ONET2591TA is available in die form and is optimized for use in a TO can.

The ONET2591TA requires a single 3.3-V supply, and its power-efficient design typically dissipates less than 53 mW. The device is characterized for operation from -40°C to 85°C ambient temperature.

AVAILABLE OPTIONS

T _A	DIE
-40°C to 85°C	ONET2591TAY



Please be aware that an important notice concerning availability, standard warranty, and use in critical applications of Texas Instruments semiconductor products and disclaimers thereto appears at the end of this data sheet.

BLOCK DIAGRAM

The ONET2591TA is a high-performance, 2.5-Gbps transimpedance amplifier consisting of the signal path, supply filter, a control block for dc input current cancellation, automatic gain control (AGC), received signal strength indication (RSSI), and a band-gap voltage reference and bias current generation block.

The signal path comprises a transimpedance amplifier stage, a voltage amplifier, and a CML output buffer.

The on-chip filter circuit provides filtered V_{CC} for the photodiode and for the transimpedance amplifier. The dc input current cancellation and AGC use internal low-pass filters to cancel the dc current on the input and to adjust the transimpedance amplifier gain. Furthermore, circuitry to monitor the received signal strength is provided.

A simplified block diagram of the ONET2591TA is shown in [Figure 1](#).

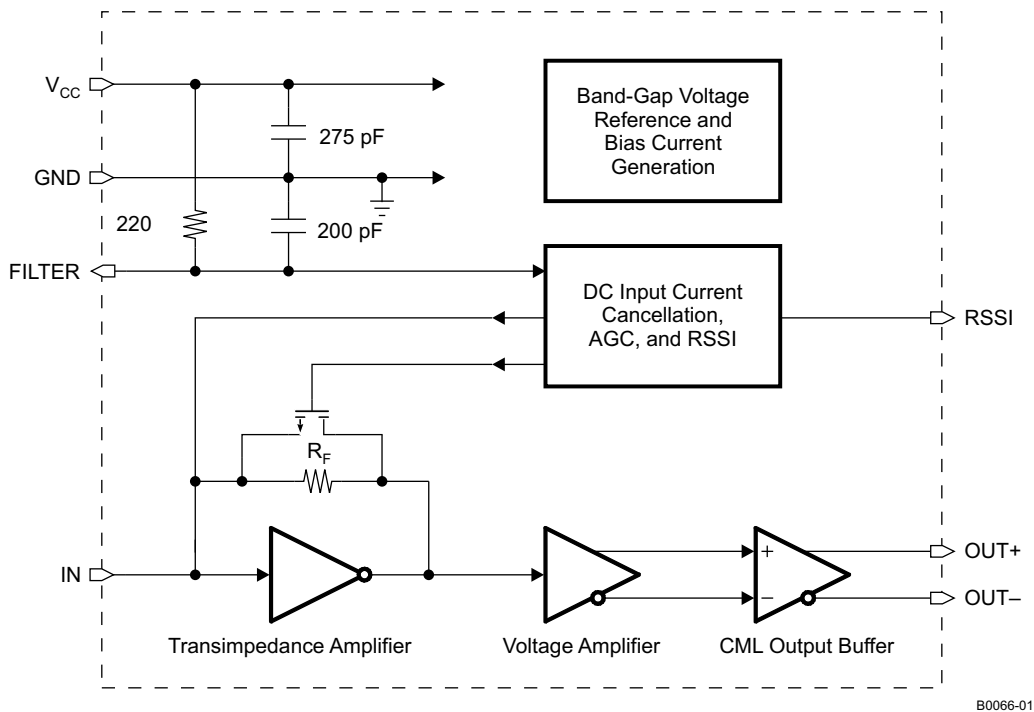


Figure 1. Simplified Block Diagram of the ONET2591TA

SIGNAL PATH

The first stage of the signal path is a transimpedance amplifier that takes the photodiode current and converts it into a voltage signal.

If the input signal current exceeds a certain value, the transimpedance gain is reduced by means of AGC circuitry.

The second stage is a voltage amplifier that provides additional gain and converts its single-ended input voltage into a differential data signal.

The third signal-path stage is the output buffer, which provides CML outputs with on-chip, 50-Ω back-termination to V_{CC} .

FILTER CIRCUITRY

The filter pin provides filtered V_{CC} for the photodiode bias. The on-chip, low-pass filter for the photodiode V_{CC} is implemented using a filter resistor of $220\ \Omega$ and an internal 200-pF capacitor. The corresponding corner frequency is below 4 MHz.

If a lower cutoff frequency is required for the intended application, an external capacitor can be connected to one of the FILTER pins.

The supply voltage for the whole amplifier is filtered by means of an on-chip, 275-pF capacitor as well, thus avoiding the necessity to use an external supply-filter capacitor.

DC INPUT CURRENT CANCELLATION, AGC, AND RSSI

The voltage drop across the internal photodiode supply-filter resistor is monitored by means of a dc input current cancellation, AGC, and RSSI control circuit block.

If the dc input current exceeds a certain level, it is partially cancelled by means of a controlled current source. This measure keeps the transimpedance amplifier stage within sufficient operating point limits for optimum performance. Furthermore, disabling the dc input cancellation at low input currents leads to superior noise performance.

The AGC circuitry lowers the effective transimpedance feedback resistor R_F by means of a MOSFET device acting as a controlled shunt. This prevents the transimpedance amplifier from being overdriven at high input currents, which leads to improved jitter behavior within the complete input-current dynamic range. Because the voltage drop across the supply-filter resistor is sensed and used by the AGC circuit, the photodiode must be connected to a FILTER pad for the AGC to function correctly.

Finally, this circuit block senses the current through the filter resistor and generates a mirrored current, which is proportional to the input signal strength. The mirrored current is available at the RSSI output and must be sunk to ground (GND) using an external resistor. The RSSI gain can be adjusted by choosing the external resistor; however, for proper operation, ensure that the voltage at the RSSI pad never exceeds $V_{CC} - 0.65\text{ V}$.

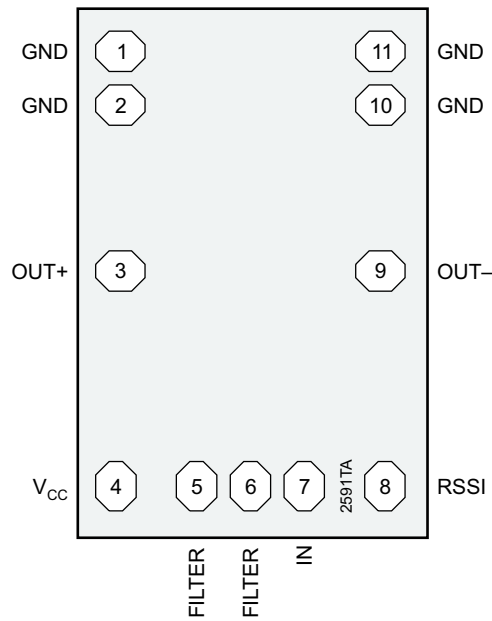
BAND-GAP VOLTAGE AND BIAS GENERATION

The ONET2591TA transimpedance amplifier is supplied by a single, 3.3-V supply voltage connected to the V_{CC} pad. This voltage is referred to GND.

On-chip band-gap voltage circuitry generates a supply-voltage-independent reference from which all other internally required voltages and bias currents are derived.

BOND PAD ASSIGNMENT

The ONET2591TA is available as a bare die. The locations of the bond pads are shown in the following figure.



M0033-01

BOND PAD DESCRIPTION

PAD		TYPE	DESCRIPTION
NAME	NO.		
FILTER	5, 6	Analog	Bias voltage for photodiode (cathode). These pads connect through an internal 220-Ω resistor to V _{CC} and a 200-pF filter capacitor to ground (GND). Both FILTER pads are connected on-chip. For additional photodiode supply filtering, connect an external capacitor from one of the FILTER pads to GND. The FILTER pad(s) must be connected to the photodiode for the AGC to function.
GND	1, 2, 10, 11	Supply	Circuit ground. All GND pads are connected on die. Bonding all pads is optional; however, for optimum performance a good ground connection is mandatory.
IN	7	Analog input	Data input to TIA (photodiode anode)
OUT+	3	Analog output	Non-inverted data output. On-chip 50-Ω back-terminated to V _{CC} .
OUT-	9	Analog output	Inverted data output. On-chip 50-Ω back-terminated to V _{CC} .
RSSI	8	Analog output	Analog output current proportional to the input data amplitude. Indicates the strength of the received signal (RSSI). Must be sunk through an external resistor to ground (GND). The RSSI gain can be adjusted by choosing the external resistor; however, for proper operation, ensure that the voltage at the RSSI pad never exceeds V _{CC} – 0.65 V. If the RSSI feature is not used, this pad must be bonded to ground (GND) to ensure proper operation.
V _{CC}	4	Supply	3.3-V, +10%/–12% supply voltage

ABSOLUTE MAXIMUM RATINGS

over operating free-air temperature range (unless otherwise noted) ⁽¹⁾

V_{CC}	Supply voltage ⁽²⁾	–0.3 V to 4 V
V_{FILTER} , V_{OUT+} , V_{OUT-} , V_{RSSI}	Voltage at FILTER, OUT+, OUT–, RSSI ⁽²⁾	–0.3 V to 4 V
I_{IN}	Current into IN	–0.7 mA to 2.5 mA
I_{FILTER}	Current into FILTER	– 8 mA to 8 mA
I_{OUT+} , I_{OUT-}	Continuous current at outputs	– 8 mA to 8 mA
ESD	ESD rating at all pins except IN ⁽³⁾	1.5 kV (HBM)
	ESD rating at IN ⁽³⁾	900 V (HBM)
$T_{J,max}$	Maximum junction temperature	125°C
T_{stg}	Storage temperature range	–65°C to 85°C
T_A	Operating free-air temperature range	–40°C to 85°C

- (1) Stresses beyond those listed under "absolute maximum ratings" may cause permanent damage to the device. These are stress ratings only, and functional operation of the device at these or any other conditions beyond those indicated under "recommended operating conditions" is not implied. Exposure to absolute-maximum-rated conditions for extended periods may affect device reliability.
- (2) All voltage values are with respect to network ground terminal.
- (3) For optimum high-frequency performance, the input pin has reduced ESD protection.

RECOMMENDED OPERATING CONDITIONS

over operating free-air temperature range (unless otherwise noted)

		MIN	NOM	MAX	UNIT
V_{CC}	Supply voltage	2.9	3.3	3.6	V
T_A	Operating free-air temperature	–40		85	°C
L_{FILTER} , L_{IN}	Wire-bond inductor at pins FILTER and IN			0.8	nH

DC ELECTRICAL CHARACTERISTICS

over recommended operating conditions (unless otherwise noted). Typical values are at $V_{CC} = 3.3$ V and $T_A = 25^\circ\text{C}$.

PARAMETER		TEST CONDITIONS	MIN	TYP	MAX	UNIT
V_{CC}	Supply voltage		2.9	3.3	3.6	V
I_{VCC}	Supply current	Average photodiode current $I_{PD} = 0$ mA	10	14	20	mA
		Average photodiode current $I_{PD} = 1$ mA	13	17	23	
V_{IN}	Input bias voltage			0.85	1.05	V
R_{OUT}	Output resistance	Single-ended to V_{CC}	40	50	60	Ω
R_{FILTER}	Photodiode filter resistance			220		Ω

AC ELECTRICAL CHARACTERISTICS

over recommended operating conditions (unless otherwise noted). Typical values are at $V_{CC} = 3.3\text{ V}$ and $T_A = 25^\circ\text{C}$.

PARAMETER		TEST CONDITIONS	MIN	TYP	MAX	UNIT
i_{IN-OVL}	AC input overload current		2			mA_{p-p}
A_{RSSI}	RSSI gain	Resistive load to GND ⁽¹⁾	0.95	1	1.05	A/A
	RSSI output offset current (no light)			10	40	μA
Z_{21}	Small-signal transimpedance	Differential output; input current $i_{IN} = 50\ \mu\text{A}_{p-p}$	2000	2600	3200	Ω
$f_{H,3dB}$	Small-signal bandwidth	$C_{PD} = 0.6\ \text{pF}$, $i_{IN} = 50\ \mu\text{A}_{p-p}$ ⁽²⁾		1.8		GHz
$f_{L,3dB}$	Low-frequency, -3-dB bandwidth	-3 dB, input current $i_{IN} < 50\ \mu\text{A}_{p-p}$		40	70	kHz
$f_{H,3dB,RSSI}$	RSSI bandwidth			3.5		MHz
i_{N-IN}	Input referred RMS noise	$C_{PD} = 0.6\ \text{pF}$, 50 kHz–2.5 GHz ⁽³⁾		280	345	nA
	Input referred noise current density	$C_{PD} = 0.6\ \text{pF}$		6.6		$\text{pA}/\sqrt{\text{Hz}}$
DJ	Deterministic jitter	$i_{IN} = 50\ \mu\text{A}_{p-p}$ (K28.5 pattern)		8	16	ps_{p-p}
		$i_{IN} = 100\ \mu\text{A}_{p-p}$ (K28.5 pattern)		8.5	20	
		$i_{IN} = 1\ \text{mA}_{p-p}$ (K28.5 pattern)		3	10	
		$i_{IN} = 2\ \text{mA}_{p-p}$ (K28.5 pattern)		4	14	
$V_{OUT,D,MAX}$	Maximum differential output voltage	Input current $i_{IN} = 1\ \text{mA}_{p-p}$	140	200	310	mV_{p-p}

- (1) The RSSI output is a current output, which requires a resistive load to ground (GND). The voltage gain can be adjusted for the intended application by choosing the external resistor. However, for proper operation of the ONET2591TA, ensure that the voltage at RSSI never exceeds $V_{CC} - 0.65\text{ V}$.
- (2) The minimum small-signal bandwidth is specified over process corners, temperature, and supply voltage variation. The assumed photodiode capacitance is 0.6 pF. The bond-wire inductance is 0.8 nH. The small-signal bandwidth strongly depends on environmental parasitics. Careful attention to layout parasitics and external components is necessary to achieve optimal performance.
- (3) Input referred RMS noise is (RMS output noise)/(gain @ 100 MHz). The maximum input referred noise is specified over process corners, temperature, and supply voltage variation.

TYPICAL CHARACTERISTICS

Typical operating condition is at $V_{CC} = 3.3\text{ V}$ and $T_A = 25^\circ\text{C}$.

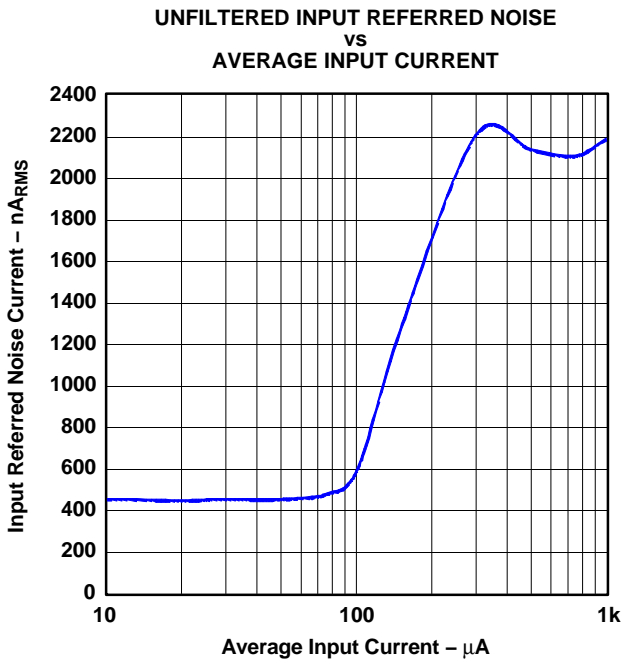


Figure 2.

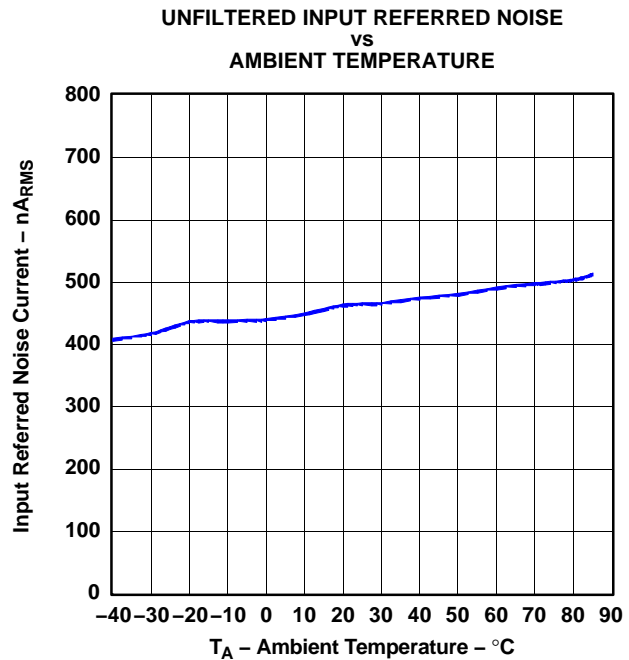


Figure 3.

TYPICAL CHARACTERISTICS (continued)

Typical operating condition is at $V_{CC} = 3.3\text{ V}$ and $T_A = 25^\circ\text{C}$.

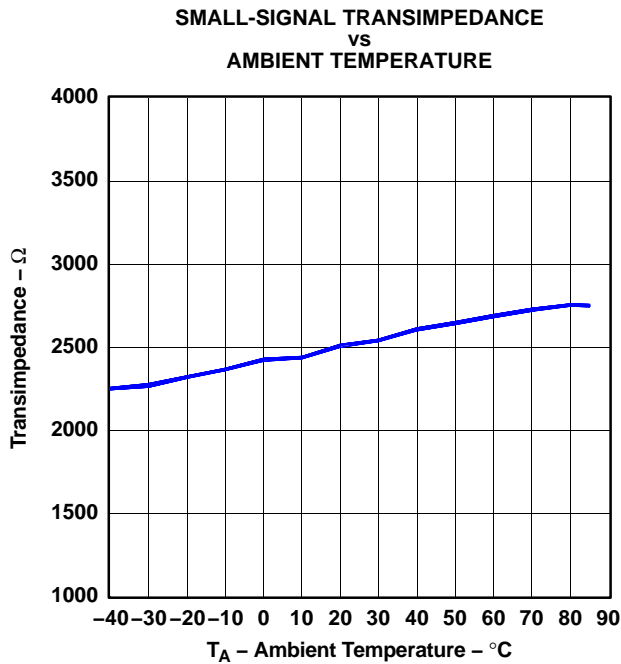


Figure 4.

G003

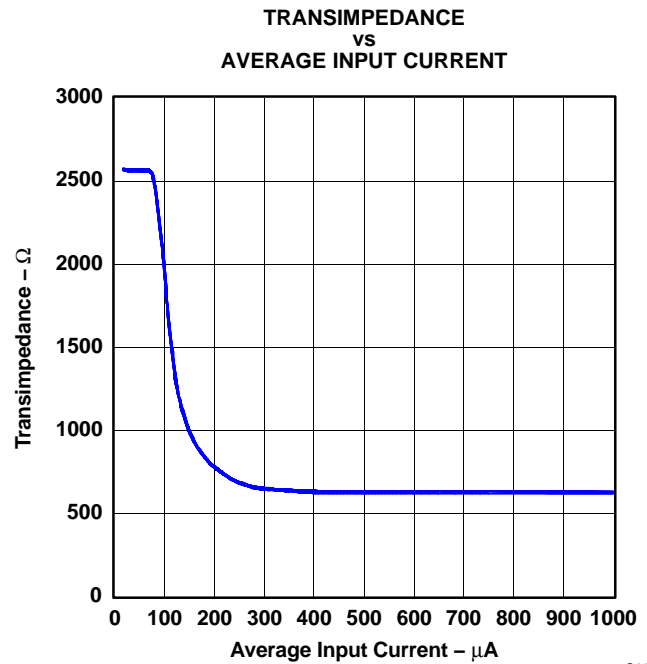


Figure 5.

G004

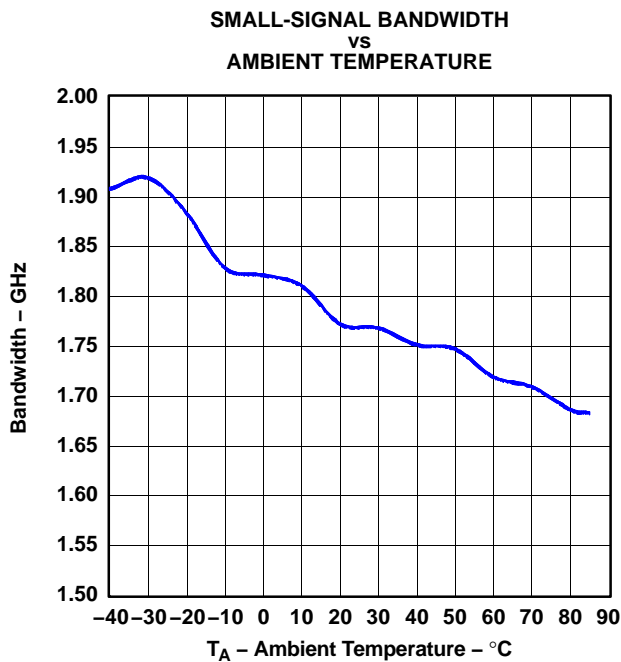


Figure 6.

G005

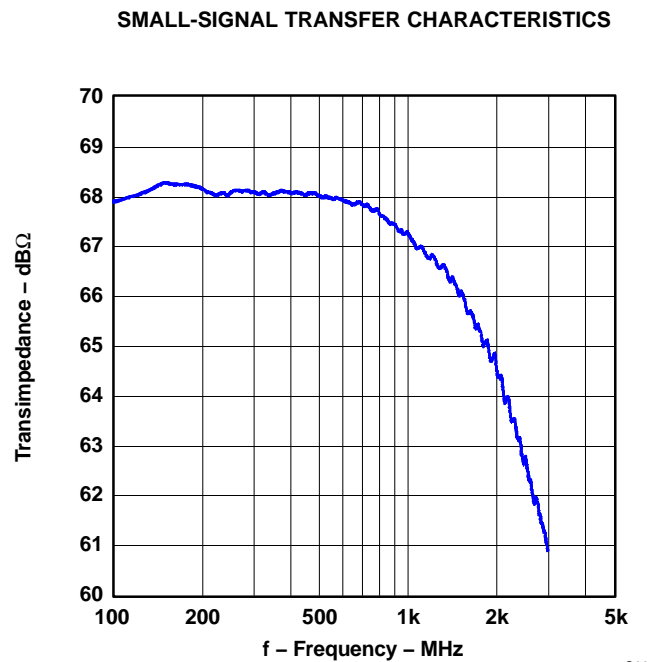


Figure 7.

G006

TYPICAL CHARACTERISTICS (continued)

Typical operating condition is at $V_{CC} = 3.3\text{ V}$ and $T_A = 25^\circ\text{C}$.

RSSI OUTPUT CURRENT
vs
AVERAGE INPUT CURRENT

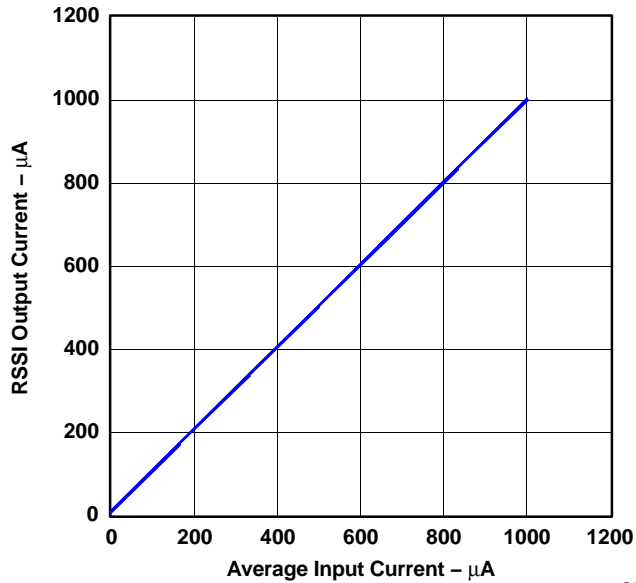


Figure 8.

G007

DETERMINISTIC JITTER
vs
INPUT CURRENT

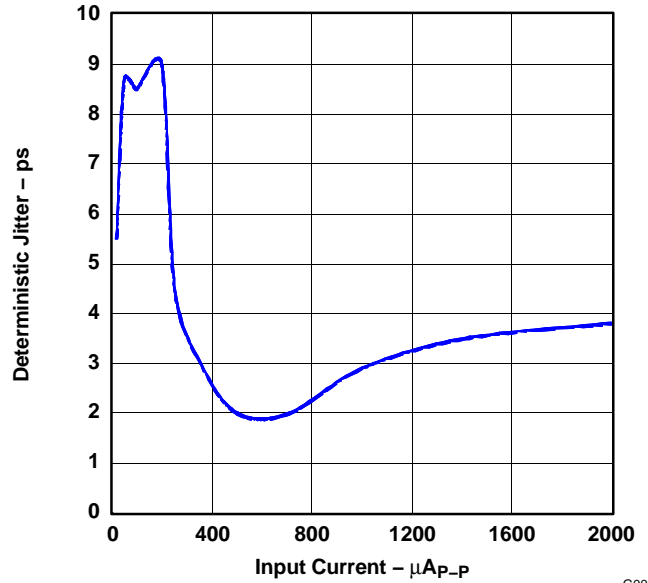
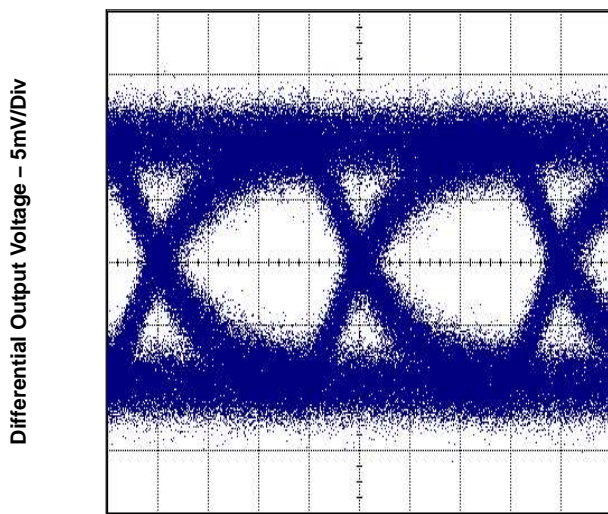


Figure 9.

G008

OUTPUT EYE DIAGRAM AT 2.5 GBPS AND 10- μA_{p-p} INPUT CURRENT

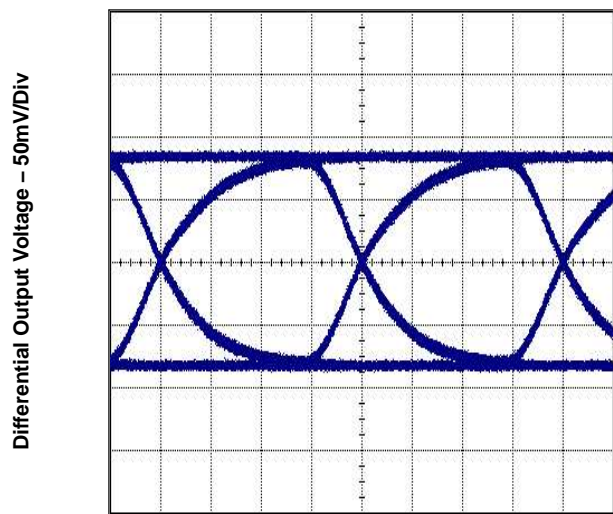


Time - 100ps/Div

G009

Figure 10.

OUTPUT EYE DIAGRAM AT 2.5 GBPS AND 100- μA_{p-p} INPUT CURRENT



Time - 100ps/Div

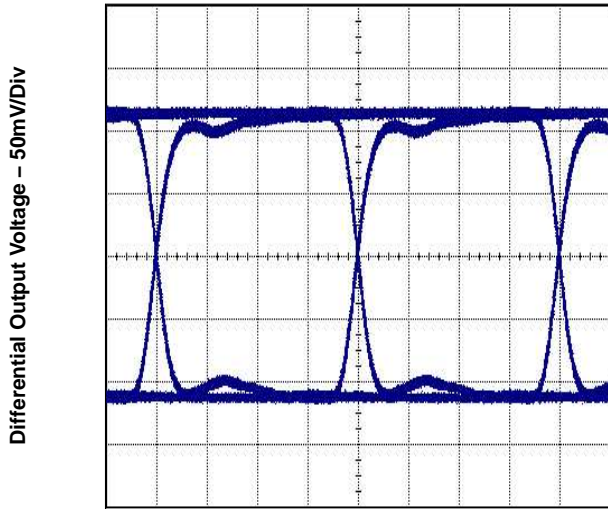
G010

Figure 11.

TYPICAL CHARACTERISTICS (continued)

Typical operating condition is at $V_{CC} = 3.3\text{ V}$ and $T_A = 25^\circ\text{C}$.

OUTPUT EYE DIAGRAM AT 2.5 GBPS AND 1-mA_{p-p} INPUT CURRENT

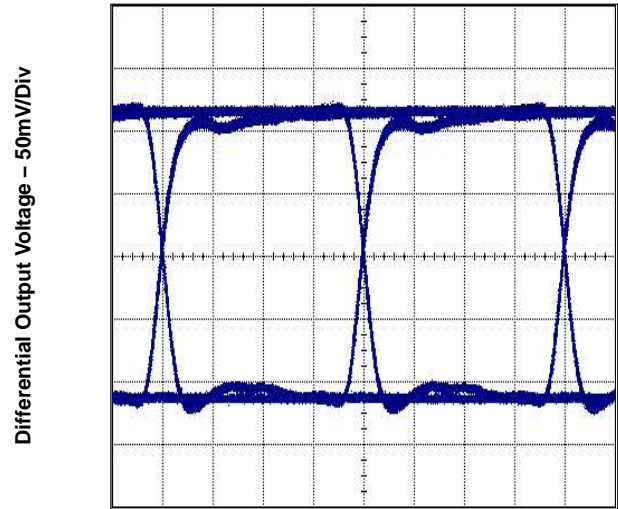


Time - 100ps/Div

G011

Figure 12.

OUTPUT EYE DIAGRAM AT 2.5 GBPS AND 2-mA_{p-p} INPUT CURRENT



Time - 100ps/Div

G012

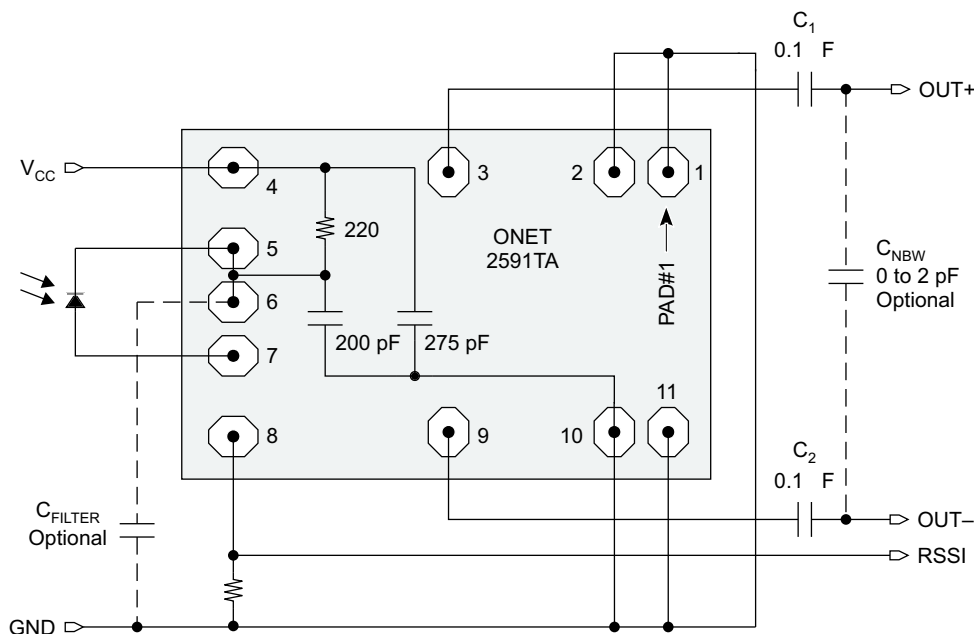
Figure 13.

APPLICATION INFORMATION

Figure 14 shows an application circuit for an ONET2591TA being used in a typical fiber-optic receiver. The ONET2591TA converts the electrical current generated by the PIN photodiode into a differential output voltage. The FILTER input provides a dc bias voltage for the PIN that is low-pass filtered by the combination of the internal 220- Ω resistor and 200-pF capacitor. For additional power-supply filtering, use an external capacitor, C_{FILTER} . Because the voltage drop across the 220- Ω resistor is sensed and used by the AGC circuit, the photodiode must be connected to a FILTER pad for the AGC to function correctly.

The RSSI output is used to mirror the photodiode average current and must be connected via a resistor to GND. The voltage gain can be adjusted for the intended application by choosing the external resistor. However, for proper operation of the ONET2591TA, ensure that the voltage at RSSI never exceeds $V_{\text{CC}} - 0.65$ V. If the RSSI output is not used, it must be grounded.

The OUT+ and OUT- pads are internally terminated by 50- Ω pullup resistors to V_{CC} . The outputs must be ac-coupled (e.g., using $C_1 = C_2 = 0.1$ μF) to the succeeding device. An additional capacitor, C_{NBW} , which is differentially connected between the two output pins OUT+ and OUT-, can be used to limit the noise bandwidth and thus optimize the noise performance.



S0097-01

Figure 14. Basic Application Circuit

ASSEMBLY RECOMMENDATIONS

When packaging the ONET2591TA, careful attention to parasitics and external components is necessary to achieve optimal performance. Recommendations that optimize performance include:

1. Minimize total capacitance on the IN pad by using a low-capacitance photodiode and paying attention to stray capacitances. Place the photodiode close to the ONET2591TA die to minimize the bond wire length and thus the parasitic inductance.
2. An external filter capacitance C_{FILTER} can be used to improve photodiode supply filtering.
3. Use identical termination and symmetrical transmission lines at the ac-coupled differential output pins OUT+ and OUT-. A differential capacitor C_{NBW} can be used to limit the noise bandwidth.
4. Use short bond-wire connections for the supply terminals V_{CC} and GND. Supply-voltage filtering is provided on-chip. Filtering can be improved by using an additional external capacitor.

CHIP DIMENSIONS AND PAD LOCATIONS

Overall chip dimensions and depiction of the bond-pad locations are given in [Figure 15](#). Layout of the chip componentry is shown in [Figure 16](#).

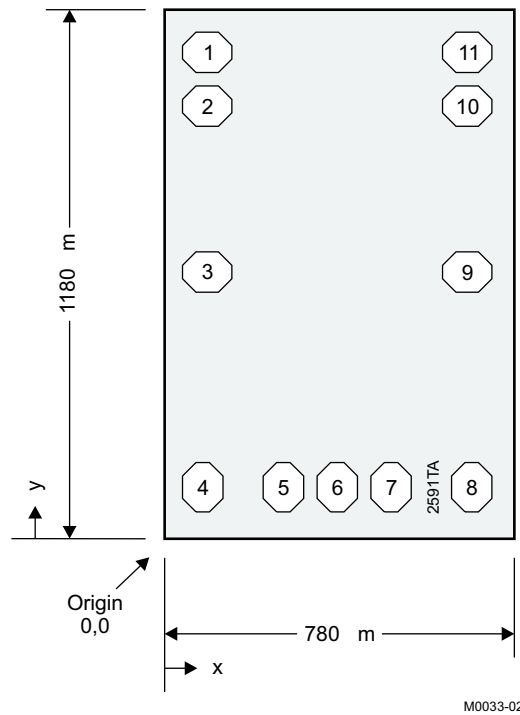


Figure 15. Chip Dimensions and Pad Locations

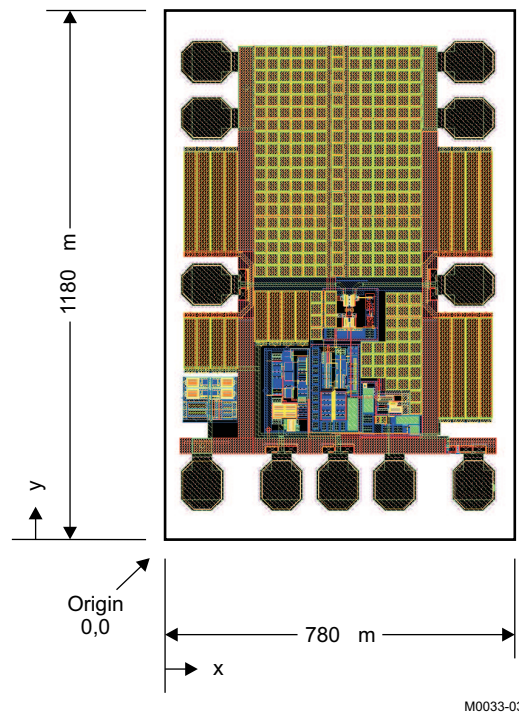


Figure 16. Chip Layout

Pad Locations and Descriptions for the ONET2591TA

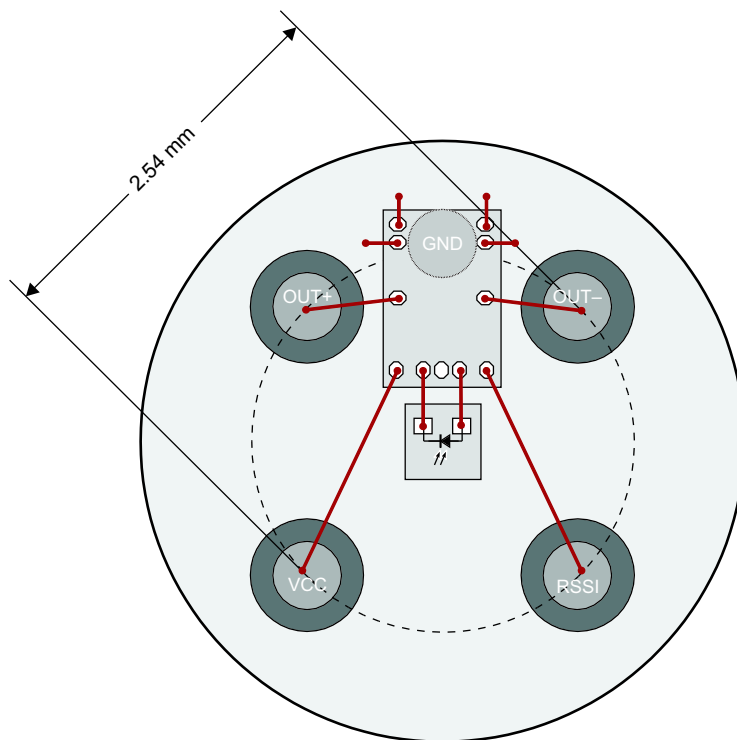
PAD	COORDINATES		SYMBOL	TYPE	DESCRIPTION
	x (μm)	y (μm)			
1	100	1063	GND	Supply	Circuit ground
2	100	938	GND	Supply	Circuit ground
3	100	570	OUT+	Analog output	Non-inverted data output
4	90	127	V _{CC}	Supply	3.3-V supply voltage
5	265	127	FILTER	Analog	Bias voltage for photodiode
6	390	127	FILTER	Analog	Bias voltage for photodiode
7	515	127	IN	Analog input	Data input to TIA
8	690	127	RSSI	Analog output	RSSI output signal
9	680	570	OUT-	Analog output	Inverted data output
10	680	938	GND	Supply	Circuit ground
11	680	1063	GND	Supply	Circuit ground

DIE INFORMATION

Die size: 1180 μm × 780 μm
 Die thickness: 8 mils (203 μm)
 Pad metallization: 99.5% Al, 0.5% Cu
 Pad size: octagonal pads, 120 μm × 100 μm
 Passivation composition: 6000 Å silicon nitride
 Backside contact: none
 Die ID: 2591TA

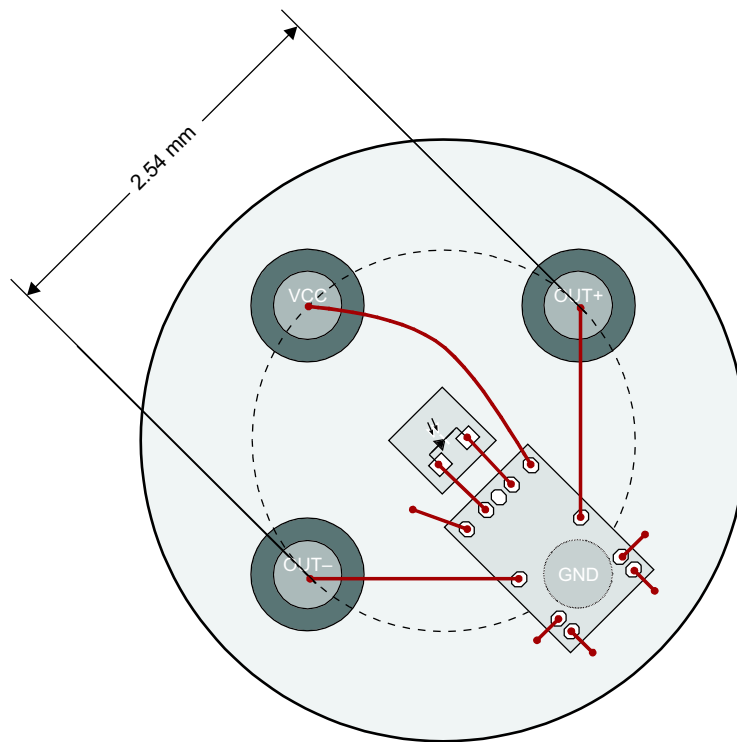
TO46 LAYOUT EXAMPLES

Examples for layouts (top view) in 5-pin and 4-pin TO46 headers are given in [Figure 17](#) and [Figure 18](#), respectively.



M0034-01

Figure 17. TO46 5-Pin Layout Example Using the ONET2591TA



M0034-02

Figure 18. TO46 4-Pin Layout Example Using the ONET2591TA

PACKAGING INFORMATION

Orderable Device	Status ⁽¹⁾	Package Type	Package Drawing	Pins	Package Qty	Eco Plan ⁽²⁾	Lead/ Ball Finish	MSL Peak Temp ⁽³⁾	Samples (Requires Login)
ONET2591TAY	ACTIVE	DIESALE	Y	0	1	Green (RoHS & no Sb/Br)	Call TI	N / A for Pkg Type	
ONET2591TAYS	ACTIVE	WAFERSALE	YS	0	1	Green (RoHS & no Sb/Br)	Call TI	N / A for Pkg Type	

⁽¹⁾ The marketing status values are defined as follows:

ACTIVE: Product device recommended for new designs.

LIFEBUY: TI has announced that the device will be discontinued, and a lifetime-buy period is in effect.

NRND: Not recommended for new designs. Device is in production to support existing customers, but TI does not recommend using this part in a new design.

PREVIEW: Device has been announced but is not in production. Samples may or may not be available.

OBsolete: TI has discontinued the production of the device.

⁽²⁾ Eco Plan - The planned eco-friendly classification: Pb-Free (RoHS), Pb-Free (RoHS Exempt), or Green (RoHS & no Sb/Br) - please check <http://www.ti.com/productcontent> for the latest availability information and additional product content details.

TBD: The Pb-Free/Green conversion plan has not been defined.

Pb-Free (RoHS): TI's terms "Lead-Free" or "Pb-Free" mean semiconductor products that are compatible with the current RoHS requirements for all 6 substances, including the requirement that lead not exceed 0.1% by weight in homogeneous materials. Where designed to be soldered at high temperatures, TI Pb-Free products are suitable for use in specified lead-free processes.

Pb-Free (RoHS Exempt): This component has a RoHS exemption for either 1) lead-based flip-chip solder bumps used between the die and package, or 2) lead-based die adhesive used between the die and leadframe. The component is otherwise considered Pb-Free (RoHS compatible) as defined above.

Green (RoHS & no Sb/Br): TI defines "Green" to mean Pb-Free (RoHS compatible), and free of Bromine (Br) and Antimony (Sb) based flame retardants (Br or Sb do not exceed 0.1% by weight in homogeneous material)

⁽³⁾ MSL, Peak Temp. -- The Moisture Sensitivity Level rating according to the JEDEC industry standard classifications, and peak solder temperature.

Important Information and Disclaimer: The information provided on this page represents TI's knowledge and belief as of the date that it is provided. TI bases its knowledge and belief on information provided by third parties, and makes no representation or warranty as to the accuracy of such information. Efforts are underway to better integrate information from third parties. TI has taken and continues to take reasonable steps to provide representative and accurate information but may not have conducted destructive testing or chemical analysis on incoming materials and chemicals. TI and TI suppliers consider certain information to be proprietary, and thus CAS numbers and other limited information may not be available for release.

In no event shall TI's liability arising out of such information exceed the total purchase price of the TI part(s) at issue in this document sold by TI to Customer on an annual basis.

IMPORTANT NOTICE

Texas Instruments Incorporated and its subsidiaries (TI) reserve the right to make corrections, modifications, enhancements, improvements, and other changes to its products and services at any time and to discontinue any product or service without notice. Customers should obtain the latest relevant information before placing orders and should verify that such information is current and complete. All products are sold subject to TI's terms and conditions of sale supplied at the time of order acknowledgment.

TI warrants performance of its hardware products to the specifications applicable at the time of sale in accordance with TI's standard warranty. Testing and other quality control techniques are used to the extent TI deems necessary to support this warranty. Except where mandated by government requirements, testing of all parameters of each product is not necessarily performed.

TI assumes no liability for applications assistance or customer product design. Customers are responsible for their products and applications using TI components. To minimize the risks associated with customer products and applications, customers should provide adequate design and operating safeguards.

TI does not warrant or represent that any license, either express or implied, is granted under any TI patent right, copyright, mask work right, or other TI intellectual property right relating to any combination, machine, or process in which TI products or services are used. Information published by TI regarding third-party products or services does not constitute a license from TI to use such products or services or a warranty or endorsement thereof. Use of such information may require a license from a third party under the patents or other intellectual property of the third party, or a license from TI under the patents or other intellectual property of TI.

Reproduction of TI information in TI data books or data sheets is permissible only if reproduction is without alteration and is accompanied by all associated warranties, conditions, limitations, and notices. Reproduction of this information with alteration is an unfair and deceptive business practice. TI is not responsible or liable for such altered documentation. Information of third parties may be subject to additional restrictions.

Resale of TI products or services with statements different from or beyond the parameters stated by TI for that product or service voids all express and any implied warranties for the associated TI product or service and is an unfair and deceptive business practice. TI is not responsible or liable for any such statements.

TI products are not authorized for use in safety-critical applications (such as life support) where a failure of the TI product would reasonably be expected to cause severe personal injury or death, unless officers of the parties have executed an agreement specifically governing such use. Buyers represent that they have all necessary expertise in the safety and regulatory ramifications of their applications, and acknowledge and agree that they are solely responsible for all legal, regulatory and safety-related requirements concerning their products and any use of TI products in such safety-critical applications, notwithstanding any applications-related information or support that may be provided by TI. Further, Buyers must fully indemnify TI and its representatives against any damages arising out of the use of TI products in such safety-critical applications.

TI products are neither designed nor intended for use in military/aerospace applications or environments unless the TI products are specifically designated by TI as military-grade or "enhanced plastic." Only products designated by TI as military-grade meet military specifications. Buyers acknowledge and agree that any such use of TI products which TI has not designated as military-grade is solely at the Buyer's risk, and that they are solely responsible for compliance with all legal and regulatory requirements in connection with such use.

TI products are neither designed nor intended for use in automotive applications or environments unless the specific TI products are designated by TI as compliant with ISO/TS 16949 requirements. Buyers acknowledge and agree that, if they use any non-designated products in automotive applications, TI will not be responsible for any failure to meet such requirements.

Following are URLs where you can obtain information on other Texas Instruments products and application solutions:

Products

Audio	www.ti.com/audio
Amplifiers	amplifier.ti.com
Data Converters	dataconverter.ti.com
DLP® Products	www.dlp.com
DSP	dsp.ti.com
Clocks and Timers	www.ti.com/clocks
Interface	interface.ti.com
Logic	logic.ti.com
Power Mgmt	power.ti.com
Microcontrollers	microcontroller.ti.com
RFID	www.ti-rfid.com
OMAP Mobile Processors	www.ti.com/omap
Wireless Connectivity	www.ti.com/wirelessconnectivity

Applications

Automotive and Transportation	www.ti.com/automotive
Communications and Telecom	www.ti.com/communications
Computers and Peripherals	www.ti.com/computers
Consumer Electronics	www.ti.com/consumer-apps
Energy and Lighting	www.ti.com/energy
Industrial	www.ti.com/industrial
Medical	www.ti.com/medical
Security	www.ti.com/security
Space, Avionics and Defense	www.ti.com/space-avionics-defense
Video and Imaging	www.ti.com/video

TI E2E Community Home Page

e2e.ti.com

Mailing Address: Texas Instruments, Post Office Box 655303, Dallas, Texas 75265
Copyright © 2012, Texas Instruments Incorporated