

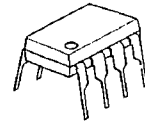
3-INPUT VIDEO SWITCH WITH 6dB AMPLIFIER

■ GENERAL DESCRIPTION

The NJM2245 is a three input integrated video switch which selects one video or audio signal from three input signals.

It contains 6dB amplifier and its operating supply voltage range is 8.5 to 13V and bandwidth is 5MHz. Crosstalk is 65dB (at 4.43MHz).

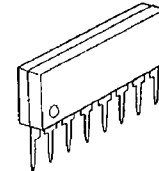
■ PACKAGE OUTLINE



NJM2245D



NJM2245M



NJM2245L

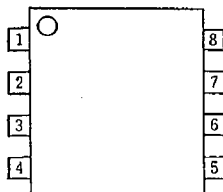
■ FEATURES

- Operating Voltage 8.5~13V
- 3 Input-1 Output
- Internal 6dB Amplifier
- Muting Function available
- Cross-talk 65dB(at 4.43MHz)
- Wide Frequency Range 5MHz(1V_{P-P} Input)
- Package Outline DIP8, DMP8, SIP8
- Bipolar Technology

■ APPLICATION

- VCR AV-TV Video Disc Player

■ PIN CONFIGURATION



NJM2245D
NJM2245M

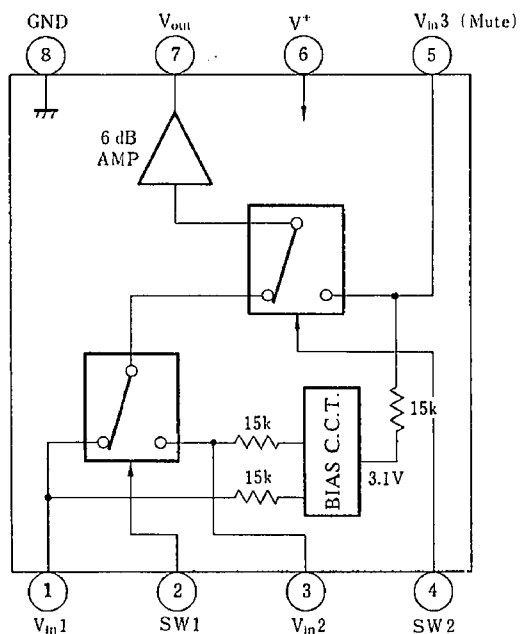


NJM2245L

PIN FUNCTION

1. V_{in1}
2. SW1
3. V_{in2}
4. SW2
5. V_{in3}
6. V⁺
7. V_{out}
8. GND

■ BLOCK DIAGRAM



■ INPUT CONTROL SIGNAL-OUTPUT SIGNAL

SW 1	SW 2	OUTPUT SIGNAL
L	L	V _{IN1}
H	L	V _{IN2}
L/H	H	V _{IN3}

■ ABSOLUTE MAXIMUM RATINGS

(Ta=25°C)

PARAMETER	SYMBOL	RATINGS	UNIT
Supply Voltage	V ⁺	15	V
Power Dissipation	P _D	(DIP8) 500	mW
		(DMP8) 300	mW
		(SIP8) 800	mW
Operating Temperature Range	T _{opr}	-40~+85	°C
Storage Temperature Range	T _{stg}	-40~+125	°C

■ ELECTRICAL CHARACTERISTICS

(V⁺=9V, Ta=25°C)

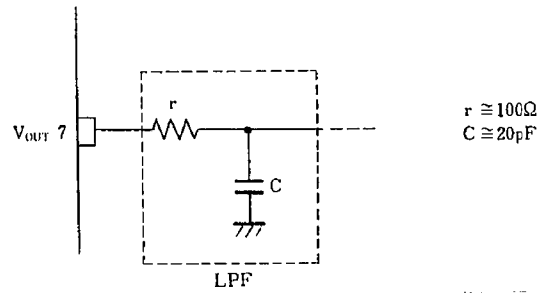
PARAMETER	SYMBOL	TEST CONDITION	MIN.	TYP.	MAX.	UNIT
Recommended Supply Voltage	V ⁺		8.5	—	13.0	V
Operating Current	I _{CC}	S1=S2=S3=S4=S5=2	10.0	16.5	23.0	mA
Voltage Gain	G _v	V _{in} =1.0V _{p-p} , 100kHz, V _o /V _i , R _L =1kΩ	5.7	6.2	6.7	dB
Frequency Characteristic	G _f	V _{in} =1.0V _{p-p} , V _o (10MHz)/V _o (100kHz) R _L =1kΩ	-1.0	—	+1.0	dB
Differential Gain	DG	V _{in} =1.0V _{p-p} , staircase, R _L =1kΩ	—	0.3	—	%
Differential Phase	DP	V _{in} =1.0V _{p-p} , staircase, R _L =1kΩ	—	0.3	—	deg.
Output Offset Voltage	V _{off}	S1=S2=S3=2, S5=1→2 V _O :voltage change	—	—	±60	mV
Crosstalk	CT	V _{in} =1V _{p-p} , 4.43MHz, V _o /V _i	—	-65	—	dB
Switch Change Voltage	V _{CH}	All inside SW:ON	2.4	—	—	V
	V _{CL}	All inside SW:OFF	—	—	0.8	V
Input Impedance	R _I		—	15	—	kΩ

(note) Unless specified, tested with three mode below.

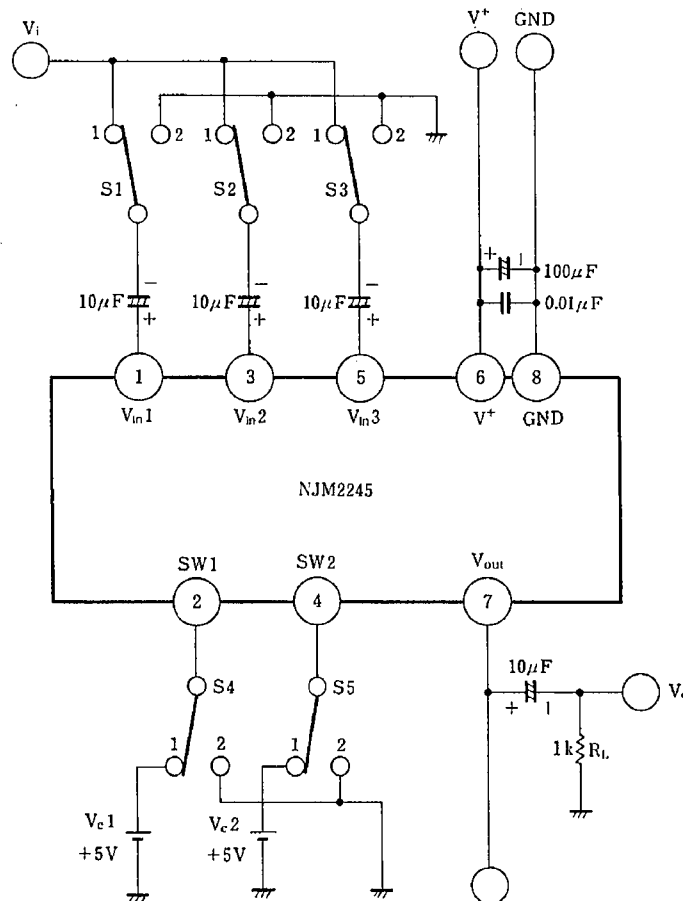
a) S1=1, S2=S3=S4=S5=2 b) S2=S4=1, S1=S3=S5=2 c) S1=S2=2, S3=S5=1, S4=1 or 2

■ APPLICATION

Oscillation Prevention on light loading conditions Recommended under circuit.



■ TEST CIRCUIT



DC Voltage Each Terminal
Typ. on Test Circuit $T_a \approx 25^\circ\text{C}$

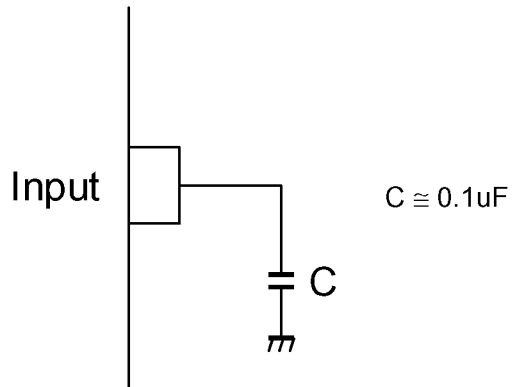
Terminal Name	V _{IN1}	SW1	V _{IN2}	SW2	V _{IN3}	V ⁺	V _{OUT}	GND
DC Voltage	$\frac{2}{5} V^+$	—	$\frac{2}{5} V^+$	—	$\frac{2}{5} V^+$	—	$\frac{2}{5} V^+ - 2.1$	—

■ EQUIVALENT CIRCUIT

PIN NO. PIN	FUNCTION	INSIDE EQUIVALENT CIRCUIT	PIN NO. PIN	FUNCTION	INSIDE EQUIVALENT CIRCUIT
1	V _{IN 1}		5	V _{IN 3} (Mute)	
2	SW 1		6	V ⁺	
3	V _{IN 2}		7	V _{OUT}	
4	SW 2		8	GND	

■APPLICATION

This IC requires 0.1uF capacitor between INPUT and GND for bias type input at mute mode.



[CAUTION]

The specifications on this databook are only given for information, without any guarantee as regards either mistakes or omissions. The application circuits in this databook are described only to show representative usages of the product and not intended for the guarantee or permission of any right including the industrial rights.