

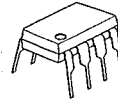
LOW VOLTAGE AUDIO POWER AMPLIFIER

■ GENERAL DESCRIPTION

The NJM2113 is a audio power amplifier designed for telephone applications, such as in speakerphones.

Coupling capacitors to the speaker are not required, as it has differential speaker outputs. The closed loop gain is set with two external resistors. A CD pin permit powering down with muting the input signal.

■ PACKAGE OUTLINE



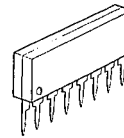
NJM2113D



NJM2113M



NJM2113V



NJM2113L



NJM2113R

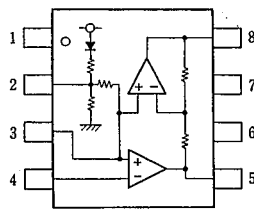
■ FEATURES

- Wide Operating Voltage (2~16V)
- Low Operating Current (2.7mA Typ.)
- CD Input to Power Down the IC with Mute
- Low Power-Down Operating Current (72 μ A Typ.)
- Output Power Exceeds 250mW ($V^+=6V, R_L=32\Omega$)
- Gain Adjustable ($G_{VD}=0\sim 43dB, \text{Voice Band}$)
- Package Outline DMP8, DMP8, SIP8, SSOP8, VSP8
- Bipolar Technology

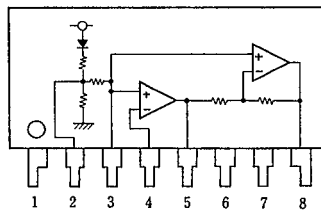
■ RECOMMENDED OPERATING CONDITIONS

- Load Impedance R_L 8~200 Ω
- Differential Gain G_{VD} 0~43dB (5kHz bandwidth)
- Input Voltage at CD V_{CD} 0~ $V^+ V_{dc}$

■ PIN CONFIGURATION



NJM2113D
NJM2113M
NJM2113V
NJM2113R



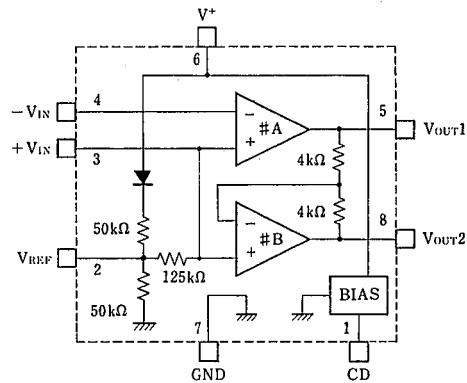
NJM2113L

Pin Function

1. CD
2. V_{REF}
3. $+V_{IN}$
4. $-V_{IN}$
5. V_{OUT1}
6. V^+
7. GND
8. V_{OUT2}

5

■ BLOCK DIAGRAM



NJM2113

■ ABSOLUTE MAXIMUM RATINGS

(Ta=25°C)

PARAMETER	SYMBOL	RATINGS	UNIT
Supply Voltage	V*	+18	V
Output Peak Current	I _{OP}	±250	mA
Input Voltage Range	V _{IN}	(1~4pin) -0.3 to V ⁺ +0.3	V
		(5,8pin) -0.3 to V ⁺ +0.3(when Power-Down)	V
Power Dissipation	P _D	(DIP8) 500	mW
		(SIP8) 800	
		(DMP8) 500 (note 1)	
		(SSOP8) 360 (note 1)	
		(VSP8) 320	
Operating Temperature Range	T _{opr}	-20~+75	°C
Storage Temperature Range	T _{stg}	-40~+125	°C

(note 1) Mounted on PC Board

■ ELECTRICAL CHARACTERISTICS

(V⁺=6V, Ta=25°C, unless otherwise specified)

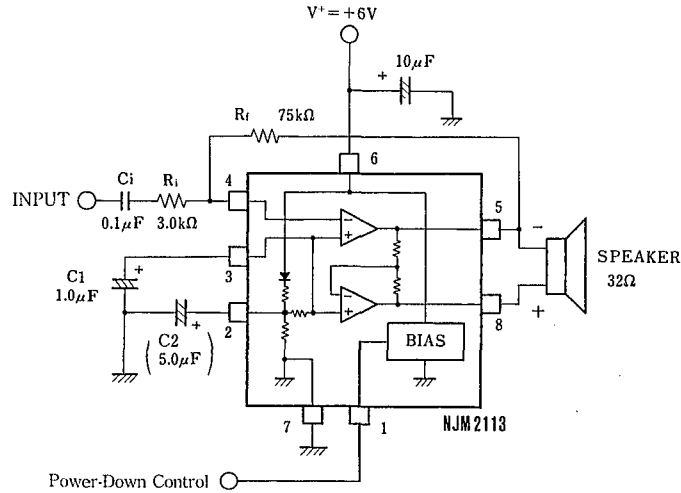
PARAMETER	SYMBOL	TEST CONDITION	MIN.	TYP.	MAX.	UNIT
Operating Current (no signal)	I _{CC1}	V ⁺ =3V, R _L =∞, I _{pin} =0.8V	—	2.7	4.0	mA
	I _{CC2}	V ⁺ =16V, R _L =∞, I _{pin} =0.8V	—	3.4	5.0	mA
	I _{CCD}	V ⁺ =3V, R _L =∞, I _{pin} =2V	—	72	100	μA
Open Loop Gain	A _{V1}	Amplifier#A, f<100Hz	77	83	—	dB
Closed Loop Gain	A _{V2}	Amplifier#B, f=1kHz, R _L =32Ω	-0.35	0	+0.35	dB
Output Power (note2)	P _{O1}	V ⁺ =3V, R _L =16Ω, THD≤10%	55	—	—	mW
	P _{O2}	V ⁺ =6V, R _L =32Ω, THD≤10%	250	—	—	mW
	P _{O3}	V ⁺ =12V, R _L =100Ω, THD≤10%(note3)	400	—	—	mW
Total Harmonic Distortion (f=1kHz)	THD1	V ⁺ =6V, R _L =32Ω, P _O =125mW, G _{VD} =34dB	—	0.5	1.0	%
	THD2	V ⁺ ≥3V, R _L =8Ω, P _O =20mW, G _{VD} =12dB	—	0.5	—	%
	THD3	V ⁺ ≥12V, R _L =32Ω, P _O =200mW, G _{VD} =34dB	—	0.6	—	%
Power Supply Rejection Ratio (V ⁺ =6V, ΔV ⁺ =3V)	PSRR1	C1=∞, C2=0.01μF, DC	50	—	—	dB
	PSRR2	C1=0.1μF, C2=0, f=1kHz	—	12	—	dB
	PSRR3	C1=1μF, C2=5μF, f=1kHz	—	52	—	dB
Mute Attenuation	MAT	f=1kHz~20kHz, I _{pin} =2V	—	70	—	dB
Output Voltage (R _r =75kΩ, DC)	V _{O1}	V ⁺ =3V, R _L =16Ω	1.00	1.18	1.25	V
	V _{O2}	V ⁺ =6V	—	2.68	—	V
	V _{O3}	V ⁺ =12V	—	5.71	—	V
Output High Level	V _{OH}	I _{OUT} =-75mA, V ⁺ =2~16V	—	V ⁺ -1.1	—	V
Output Low Level	V _{OL}	I _{OUT} =75mA, V ⁺ =2~16V	—	0.21	—	V
Output DC Offset	ΔV _O	R _r =75kΩ, R _L =32Ω, 5pin-8pin	-30	0	+30	mV
Input Bias Current	I _B	4pin	—	-30	-200	nA
Equivalent Resistance	R _{+IN}	3pin	100	150	220	kΩ
	R _{REF}	2pin	18	25	40	kΩ
CD Input Voltage H	V _{CDH}	1pin	2.0	—	V ⁺	V
CD Input Voltage L	V _{C DL}	1pin	0.0	—	0.8	V
CD Input Resistance	R _{CD}	V _{CD} =16V, I _{pin}	50	75	175	kΩ

(note2) NJM2113M, NJM2113V:At on PC Board

(note3) Not specified for NJM2113V, NJM2113R

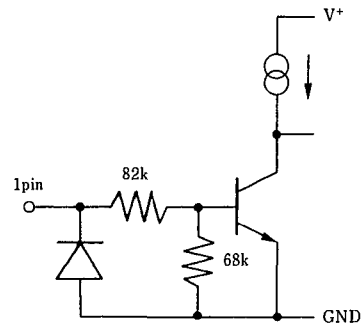
5

■ APPLICATION CIRCUIT



(note)

1. The NJM2113 is active mode during the CD terminal is Low level ($<0.8V$) and it is stand-by mode during the CD terminal is High level ($>2.0V$)
2. C1 and C2 improve power supply rejection ratio.
In case of C1 is enough large, C2 is unnecessary.
3. Please note that the C1 and C2 make slow power rise up to the NJM2113 regardless the external power supply condition.
4. Input current flow on the internal resistor shown in the equivalent circuit of CD terminal.
5. No snubber resistor and capacitor are required normally.
But the snubber resistor and capacitor are required if the NJM2113 oscillates by condition of PCB layout, stray capacitor and speaker wire length.



5

NJM2113

MEMO

[CAUTION]

The specifications on this databook are only given for information, without any guarantee as regards either mistakes or omissions. The application circuits in this databook are described only to show representative usages of the product and not intended for the guarantee or permission of any right including the industrial rights.