

# The RF Line

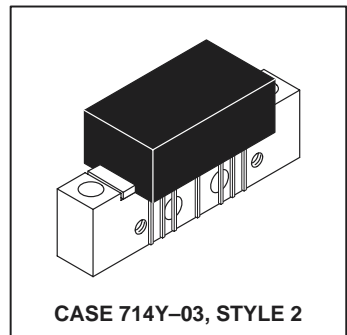
## High Output Mirror Power Doubler

### 860 MHz CATV Amplifier

**MHW8205R**

**20.2 dB GAIN**  
**860 MHz**  
**128-CHANNEL**  
**CATV AMPLIFIER**

- Specified for 77, 110 and 128-Channel Performance
- Broadband Power Gain — @ f = 40-860 MHz  
G<sub>p</sub> = 20.2 dB (Typ)
- Broadband Noise Figure  
NF = 7 dB (Typ) @ 860 MHz
- All Gold Metallization
- 7 GHz f<sub>T</sub> Ion-Implanted Transistors
- Composite Triple Beat — @ 128-Channel Loading  
CTB = -66 dB (Typ)



#### MAXIMUM RATINGS

Rating	Symbol	Value	Unit
RF Voltage Input (Single Tone)	V <sub>in</sub>	+70	dBmV
DC Supply Voltage	V <sub>CC</sub>	+28	Vdc
Operating Case Temperature Range	T <sub>C</sub>	-20 to +100	°C
Storage Temperature Range	T <sub>stg</sub>	-40 to +100	°C

#### ELECTRICAL CHARACTERISTICS (V<sub>CC</sub> = 24 Vdc, T<sub>C</sub> = +30°C, 75 Ω system unless otherwise noted)

Characteristic	Symbol	Min	Typ	Max	Unit
Frequency Range	BW	40	—	860	MHz
Power Gain 860 MHz	G <sub>p</sub>	19.3 20	19.8 20.2	20.3 21.5	dB
Slope 40-860 MHz	S	0	.4	1.5	dB
Gain Flatness (40-860 MHz, Peak to Valley)	—	—	0.3	1.0	dB
Return Loss — Input/Output (Z <sub>0</sub> = 75 Ohms) @ f > 40 MHz (Derate)	IRL/ORL	19 —	— —	— 0.006	dB dB/MHz
Composite Second Order (V <sub>out</sub> = +40 dBmV/ch., Worst Case) (V <sub>out</sub> = +44 dBmV/ch., Worst Case)	CSO <sub>128</sub> CSO <sub>110</sub> CSO <sub>77</sub>	— — —	-69 -70 -80	-60 -63 -68	dBc
Cross Modulation Distortion @ Ch 2 (V <sub>out</sub> = +40 dBmV/ch., FM = 55 MHz) (V <sub>out</sub> = +44 dBmV/ch., FM = 55 MHz)	XMD <sub>128</sub> XMD <sub>110</sub> XMD <sub>77</sub>	— — —	-72 -67 -71	-64 -62 -68	dBc
Composite Triple Beat (V <sub>out</sub> = +40 dBmV/ch., Worst Case) (V <sub>out</sub> = +44 dBmV/ch., Worst Case)	CTB <sub>128</sub> CTB <sub>110</sub> CTB <sub>77</sub>	— — —	-66 -63 -71	-63 -61 -69	dBc
Noise Figure 50 MHz 550 MHz 750 MHz 860 MHz	NF	— — — —	5.0 5.8 6.2 7.0	6.0 — — 8.0	dB
DC Current (V <sub>DC</sub> = 24 V, T <sub>C</sub> = 30°C)	I <sub>DC</sub>	365	400	435	mA

ARCHIVE INFORMATION

ARCHIVE INFORMATION

