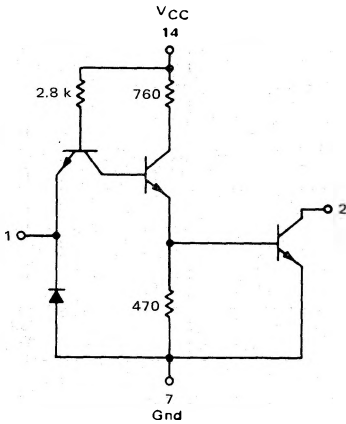


HEX INVERTER

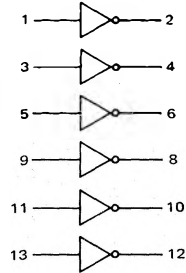
MC3100/MC3000 series

**MC3109F • MC3009F**  
**MC3109L • MC3009L,P**  
 (54H05J) (74H05J,N)

CIRCUIT SCHEMATIC  
 1/6 OF CIRCUIT SHOWN



This device consists of six independent inverting gates with no output pullup circuits. It can be used where the Wired-OR function is required, or for driving discrete components.



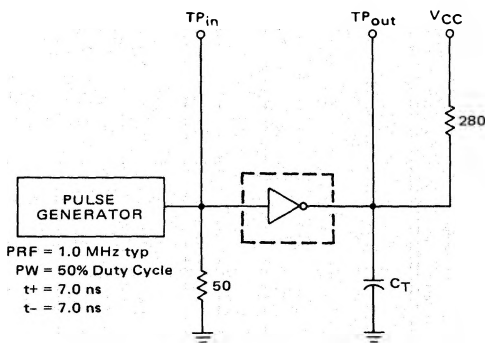
Positive Logic: 2 =  $\bar{1}$

Input Loading Factor = 1  
 Output Loading Factor = 10  
 Total Power Dissipation = 90 mW typ/pkg  
 Propagation Delay Time = 8 ns typ

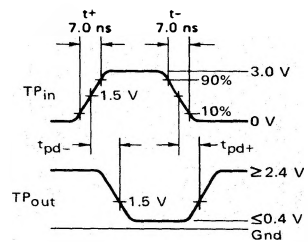
Pin numbers for the 54H05F/74H05F device are shown in the chart. These devices are available on special request.

DEVICE	PIN NUMBERS													
MC3109FL/3009FL,P	1	2	3	4	5	6	7	8	9	10	11	12	13	14
54H05F/74H05F	1	14	3	2	5	6	11	8	7	10	9	12	13	4

SWITCHING TIME TEST CIRCUIT AND WAVEFORMS



PULSE GENERATOR  
 PRF = 1.0 MHz typ  
 PW = 50% Duty Cycle  
 $t^+ = 7.0$  ns  
 $t^- = 7.0$  ns



$C_T = 25$  pF = total parasitic capacitance, which includes probe, wiring, and load capacitances.

