



3-Pin Microprocessor Reset Circuit

General Description

The MAX809/MAX810 are microprocessor (μP) supervisory circuits used to monitor the power supplies in μP and digital systems. They provide excellent circuit reliability and low cost by eliminating external components and adjustments when used with 5V-powered or 3V-powered circuits.

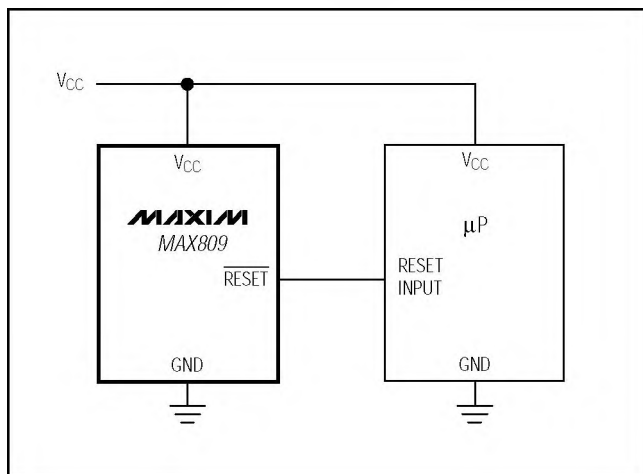
These circuits perform a single function: They assert a reset signal whenever the V_{CC} supply voltage declines below a preset threshold, keeping it asserted for at least 140ms after V_{CC} has risen above the reset threshold. The only difference between the two devices is that the MAX809 has an active-low $\overline{\text{RESET}}$ output (which is guaranteed to be in the correct state for V_{CC} down to 1V), while the MAX810 has an active-high RESET output. The reset comparator is designed to ignore fast transients on V_{CC} . Reset thresholds suitable for operation with a variety of supply voltages are available.

Low supply current makes the MAX809/MAX810 ideal for use in portable equipment. The MAX809/MAX810 come in a 3-pin SOT23 package.

Applications

- Computers
- Controllers
- Intelligent Instruments
- Critical μP and μC Power Monitoring
- Portable/Battery-Powered Equipment
- Automotive

Typical Operating Circuit



Features

- ◆ Precision Monitoring of 3V, 3.3V, and 5V Power-Supply Voltages
- ◆ Fully Specified Over Temperature
- ◆ 140ms Min Power-On Reset Pulse Width:
 - RESET Output (MAX809)
 - RESET Output (MAX810)
- ◆ 17 μA Supply Current
- ◆ Guaranteed $\overline{\text{RESET}}$ Valid to $V_{\text{CC}} = 1\text{V}$ (MAX809)
- ◆ Power Supply Transient Immunity
- ◆ No External Components
- ◆ 3-Pin SOT23 Package

Ordering Information

PART†	TEMP. RANGE	PIN-PACKAGE
MAX809_EUR-T	-40°C to +105°C	3 SOT23-3
MAX810_EUR-T	-40°C to +105°C	3 SOT23-3

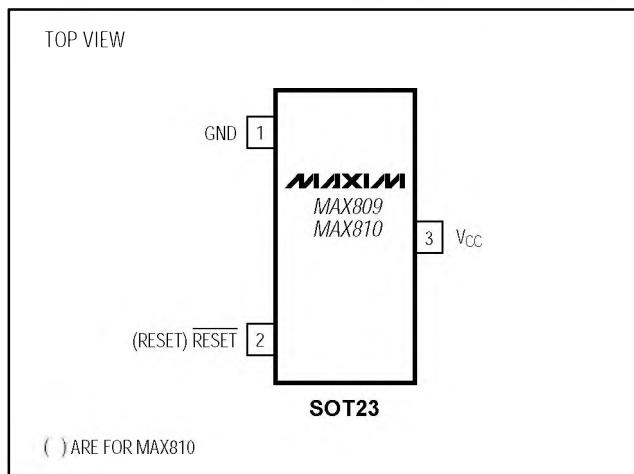
Ordering Information continued at end of data sheet.

† Insert the desired suffix letter (from the table below) into the blank to complete the part number:

SUFFIX	RESET THRESHOLD (V)
L	4.63
M	4.38
J*	4.00
T	3.08
S	2.93
R	2.63

* J version is available for MAX809 only.

Pin Configuration



3-Pin Microprocessor Reset Circuit

ABSOLUTE MAXIMUM RATINGS

Terminal Voltage (with respect to GND)

V _{CC}	-0.3V to 6.0V
RESET, $\overline{\text{RESET}}$	-0.3V to (V _{CC} + 0.3V)
Input Current, V _{CC}	20mA
Output Current, RESET, $\overline{\text{RESET}}$	20mA
Rate of Rise, V _{CC}	100V/ μ s

Continuous Power Dissipation (T_A = +70°C)

SOT23 (derate above +70°C by 4mW/°C)	320mW
Operating Temperature Range	-40°C to +105°C
Storage Temperature Range	-65°C to +160°C
Lead Temperature (soldering, 10sec)	+300°C

Stresses beyond those listed under "Absolute Maximum Ratings" may cause permanent damage to the device. These are stress ratings only, and functional operation of the device at these or any other conditions beyond those indicated in the operational sections of the specifications is not implied. Exposure to absolute maximum rating conditions for extended periods may affect device reliability.

ELECTRICAL CHARACTERISTICS

(V_{CC} = full range, T_A = -40°C to +105°C, unless otherwise noted. Typical values are at T_A = +25°C, V_{CC} = 5V for L/M/J versions, V_{CC} = 3.3V for T/S versions, and V_{CC} = 3V for R version.) (Note 1)

PARAMETER	SYMBOL	CONDITIONS	MIN	TYP	MAX	UNITS			
V _{CC} Range		T _A = 0°C to +70°C	1.0		5.5	V			
		T _A = -40°C to +105°C	1.2		5.5				
Supply Current	I _{CC}	T _A = -40°C to +85°C	V _{CC} < 5.5V, MAX8__L/M	24	60	μ A			
			V _{CC} < 3.6V, MAX8__R/S/T	17	50				
		T _A = +85°C to +105°C	V _{CC} < 5.5V, MAX8__L/M		100				
			V _{CC} < 3.6V, MAX8__R/S/T		100				
Reset Threshold (Note 2)	V _{TH}	MAX8__L	T _A = +25°C	4.56	4.63	4.70	V		
			T _A = -40°C to +85°C	4.50		4.75			
			T _A = +85°C to +105°C	4.40		4.86			
		MAX8__M	T _A = +25°C	4.31	4.38	4.45			
			T _A = -40°C to +85°C	4.25		4.50			
			T _A = +85°C to +105°C	4.16		4.56			
		MAX809J	T _A = +25°C	3.93	4.00	4.06			
			T _A = -40°C to +85°C	3.89		4.10			
			T _A = +85°C to +105°C	3.80		4.20			
		MAX8__T	T _A = +25°C	3.00	3.08	3.15			
			T _A = -40°C to +85°C	3.04		3.11			
			T _A = +85°C to +105°C	2.92		3.23			
		MAX8__S	T _A = +25°C	2.89	2.93	2.96			
			T _A = -40°C to +85°C	2.85		3.00			
			T _A = +85°C to +105°C	2.78		3.08			
		MAX8__R	T _A = +25°C	2.59	2.63	2.66			
			T _A = -40°C to +85°C	2.55		2.70			
			T _A = +85°C to +105°C	2.50		2.76			
		Reset Threshold Tempco			30			ppm/°C	
		V _{CC} to Reset Delay (Note 2)		V _{CC} = V _{TH} to (V _{TH} - 100mV)		20			μ s
		Reset Active Timeout Period		T _A = -40°C to +85°C	140	240		560	ms
				T _A = +85°C to +105°C	100			840	
		$\overline{\text{RESET}}$ Output Voltage Low (MAX809)	V _{OL}	V _{CC} = V _{TH} min, I _{SINK} = 1.2mA, MAX809R/S/T				0.3	V
				V _{CC} = V _{TH} min, I _{SINK} = 3.2mA, MAX809L/M				0.4	
V _{CC} > 1.0V, I _{SINK} = 50 μ A					0.3				

3-Pin Microprocessor Reset Circuit

MAX809J/L/M/R/S/T, MAX810L/M/R/S/T

ELECTRICAL CHARACTERISTICS (continued)

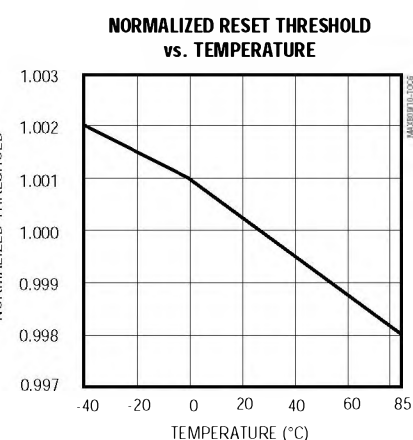
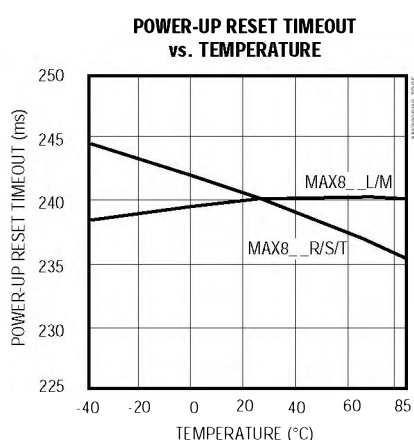
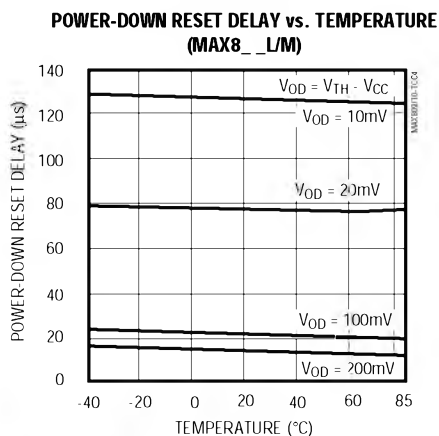
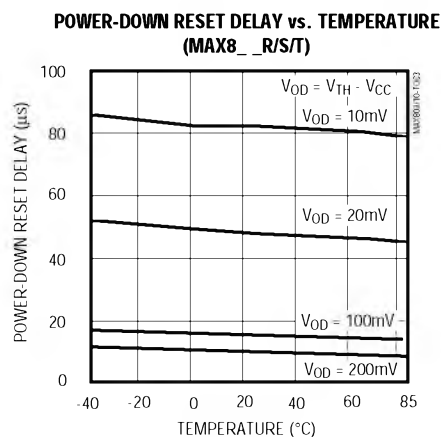
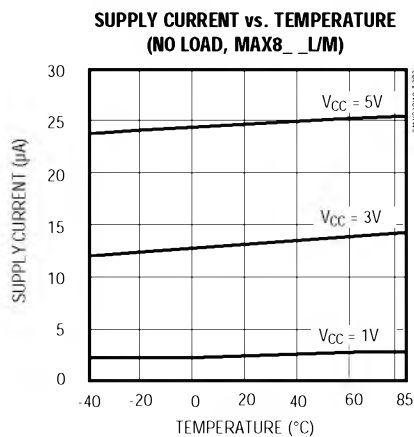
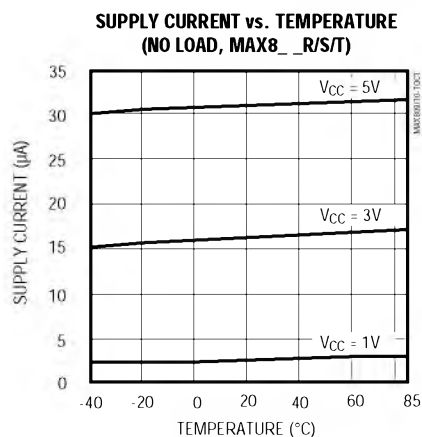
(V_{CC} = full range, T_A = -40°C to $+105^{\circ}\text{C}$, unless otherwise noted. Typical values are at T_A = $+25^{\circ}\text{C}$, V_{CC} = 5V for L/M/J versions, V_{CC} = 3.3V for T/S versions, and V_{CC} = 3V for R version.) (Note 1)

PARAMETER	SYMBOL	CONDITIONS	MIN	TYP	MAX	UNITS
RESET Output Voltage High (MAX809)	V_{OH}	$V_{CC} > V_{TH}$ max, $I_{SOURCE} = 500\mu\text{A}$, MAX809R/S/T	0.8 V_{CC}			V
		$V_{CC} > V_{TH}$ max, $I_{SOURCE} = 800\mu\text{A}$, MAX809L/M	$V_{CC} - 1.5$			
RESET Output Voltage Low (MAX810)	V_{OL}	$V_{CC} = V_{TH}$ max, $I_{SINK} = 1.2\text{mA}$, MAX810R/S/T	0.3			V
		$V_{CC} = V_{TH}$ max, $I_{SINK} = 3.2\text{mA}$, MAX810L/M	0.4			
RESET Output Voltage High (MAX810)	V_{OH}	$1.8\text{V} < V_{CC} < V_{TH}$ min, $I_{SOURCE} = 150\mu\text{A}$	0.8 V_{CC}			V

Note 1: Production testing done at T_A = $+25^{\circ}\text{C}$, over temperature limits guaranteed by design only.

Note 2: RESET Output for MAX809, RESET Output for MAX810.

Typical Operating Characteristics



3-Pin Microprocessor Reset Circuit

Pin Description

PIN	NAME	FUNCTION
1	GND	Ground
2	$\overline{\text{RESET}}$ (MAX809)	$\overline{\text{RESET}}$ Output remains low while V_{CC} is below the reset threshold, and for 240ms after V_{CC} rises above the reset threshold.
	RESET (MAX810)	RESET Output remains high while V_{CC} is below the reset threshold, and for 240ms after V_{CC} rises above the reset threshold.
3	V_{CC}	Supply Voltage (+5V, +3.3V, or +3.0V)

Applications Information

Negative-Going V_{CC} Transients

In addition to issuing a reset to the microprocessor (μP) during power-up, power-down, and brownout conditions, the MAX809/MAX810 are relatively immune to short duration negative-going V_{CC} transients (glitches).

Figure 1 shows typical transient duration vs. reset comparator overdrive, for which the MAX809/MAX810 do **not** generate a reset pulse. The graph was generated using a negative-going pulse applied to V_{CC} , starting 0.5V above the actual reset threshold and ending below it by the magnitude indicated (reset comparator overdrive). The graph indicates the maximum pulse width a negative-going V_{CC} transient can have without causing a reset pulse. As the magnitude of the transient increases (goes farther below the reset threshold), the maximum allowable pulse width decreases. Typically, for the MAX809L and MAX810M, a V_{CC} transient that goes 100mV below the reset threshold and lasts 20 μs or less will not cause a reset pulse. A 0.1 μF bypass capacitor mounted as close as possible to the V_{CC} pin provides additional transient immunity.

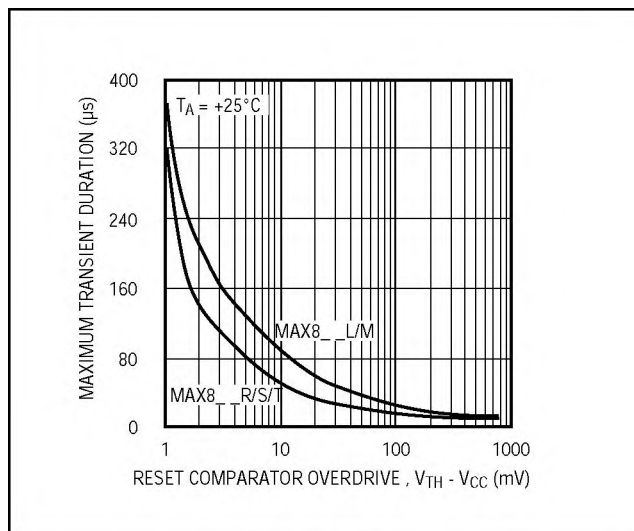


Figure 1. Maximum Transient Duration without Causing a Reset Pulse vs. Reset Comparator Overdrive

Ensuring a Valid Reset Output Down to $V_{CC} = 0\text{V}$

When V_{CC} falls below 1V, the MAX809 $\overline{\text{RESET}}$ output no longer sinks current—it becomes an open circuit. Therefore, high-impedance CMOS logic inputs connected to $\overline{\text{RESET}}$ can drift to undetermined voltages. This presents no problem in most applications, since most μP and other circuitry is inoperative with V_{CC} below 1V. However, in applications where $\overline{\text{RESET}}$ must be valid down to 0V, adding a pull-down resistor to $\overline{\text{RESET}}$ causes any stray leakage currents to flow to ground, holding $\overline{\text{RESET}}$ low (Figure 2). R1's value is not critical; 100k Ω is large enough not to load $\overline{\text{RESET}}$ and small enough to pull $\overline{\text{RESET}}$ to ground.

A 100k Ω pull-up resistor to V_{CC} is also recommended for the MAX810, if $\overline{\text{RESET}}$ is required to remain valid for $V_{CC} < 1\text{V}$.

3-Pin Microprocessor Reset Circuit

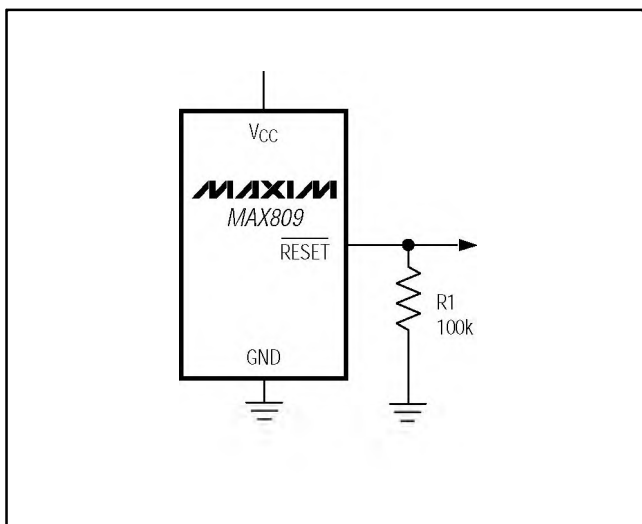


Figure 2. $\overline{\text{RESET}}$ Valid to $V_{CC} = \text{Ground}$ Circuit

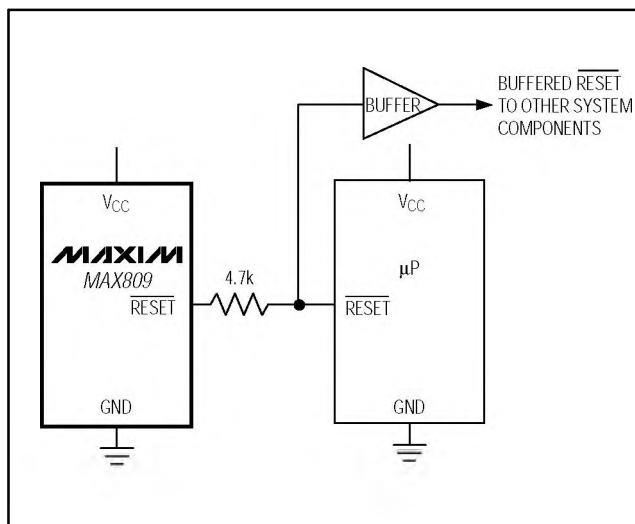


Figure 3. Interfacing to μPs with Bidirectional Reset I/O

Interfacing to μPs with Bidirectional Reset Pins

μPs with bidirectional reset pins (such as the Motorola 68HC11 series) can connect to the MAX809 reset output. If, for example, the MAX809 $\overline{\text{RESET}}$ output is asserted high and the μP wants to pull it low, indeterminate logic levels may result. To correct this, connect a 4.7k Ω resistor between the MAX809 $\overline{\text{RESET}}$ output and the μP reset I/O (Figure 3). Buffer the MAX809 $\overline{\text{RESET}}$ output to other system components.

Benefits of Highly Accurate Reset Threshold

Most μP supervisor ICs have reset threshold voltages between 5% and 10% below the value of nominal supply voltages. This ensures a reset will **not** occur within 5% of the nominal supply, but **will** occur when the supply is 10% below nominal.

When using ICs rated at only the nominal supply $\pm 5\%$, this leaves a zone of uncertainty where the supply is between 5% and 10% low, and where the reset may or may not be asserted.

The MAX809L/T and MAX810L/T use highly accurate circuitry to ensure that reset is asserted close to the 5% limit, and long before the supply has declined to 10% below nominal.

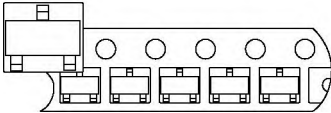
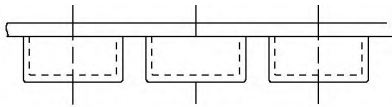
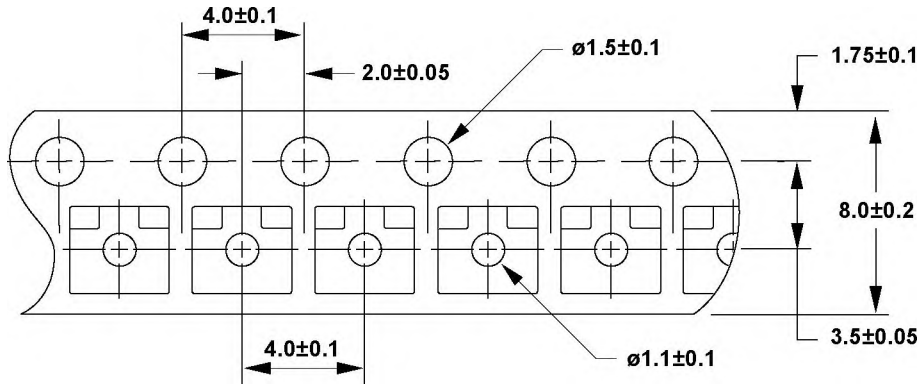
Chip Information

TRANSISTOR COUNT: 275

MAX809J/L/M/R/S/T, MAX810L/M/R/S/T

3-Pin Microprocessor Reset Circuit

Ordering Information (continued)



NOTE: DIMENSIONS ARE IN MM.
AND FOLLOW EIA481-1 STANDARD.

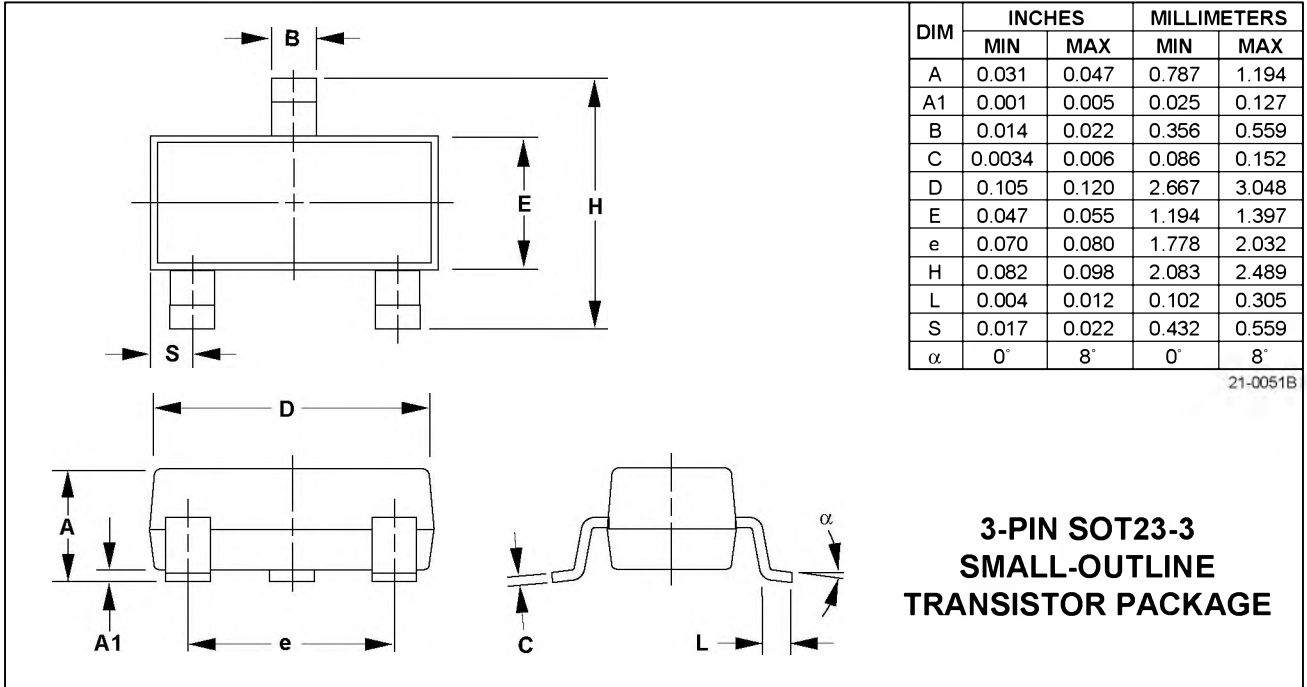
† ICs MAY ALSO BE MARKED WITH FULL PART NAME: 809L, 809M....

MARKING INFORMATION †	
XX	LOT SPECIFIC CODE
AA	MAX809L
AB	MAX809M
CW	MAX809J
AC	MAX809T
AD	MAX809S
AF	MAX809R
AG	MAX810L
AH	MAX810M
AJ	MAX810T
AK	MAX810S
AL	MAX810R

3-Pin Microprocessor Reset Circuit

Package Information

MAX809J/L/M/R/S/T, MAX810L/M/R/S/T



3-Pin Microprocessor Reset Circuit

MAX809J/L/M/R/S/Π, MAX810L/M/R/S/Π

Maxim cannot assume responsibility for use of any circuitry other than circuitry entirely embodied in a Maxim product. No circuit patent licenses are implied. Maxim reserves the right to change the circuitry and specifications without notice at any time.

8 _____ **Maxim Integrated Products, 120 San Gabriel Drive, Sunnyvale, CA 94086 (408) 737-7600**

© 1996 Maxim Integrated Products

Printed USA

MAXIM is a registered trademark of Maxim Integrated Products.