

ADVANCE INFORMATION

All information in this data sheet is preliminary and subject to change.

6/95

MAXIM

800MHz to 1000MHz Low-Voltage Power Amplifier/Predriver

MAX2430

General Description

The MAX2430 RF power amplifier operates from a 3V to 5V supply and delivers more than 100mW (20dBm) in the 800MHz to 1000MHz band. The MAX2430 consists of a large power transistor driven by a capacitively coupled driver stage. The input impedance is internally matched to 50Ω (VSWR < 1.5:1) and the overall power gain is guaranteed to be greater than 30dB.

To save power during the "idle slots" in time-division multiple-access (TDMA) transmissions, a TTL/CMOS-compatible command (EN pin low) can throttle the supply current to under 10μA in only 1μs. A power ramping feature allows the final stage on/off time to be controlled by a single external capacitor. Variable power-gain control of the final stage is also possible for use in a power control loop. The MAX2430 comes in a 16-pin narrow SO package

Applications

Cordless Phones
Wireless LANs
Cellular Phones
915MHz ISM Band Applications

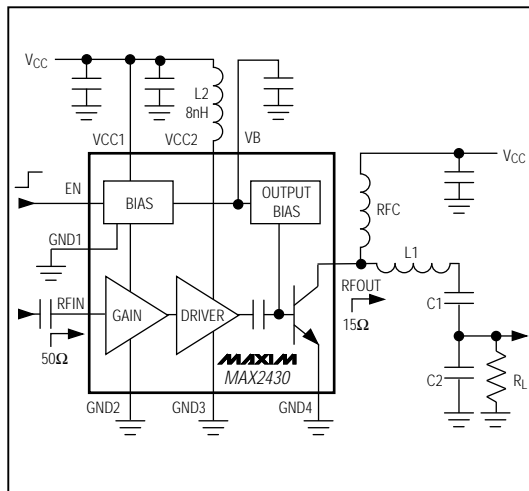
Features

- ♦ 3-Cell Battery Operation
- ♦ >100mW Output Power (at 3V)
- ♦ 30dB Power Gain
- ♦ Power Up/Down Ramp Time Controlled by External Capacitor
- ♦ Input Matched to 50Ω
- ♦ 10μA Power-Down Current
- ♦ Comes in 16-Pin Narrow SO

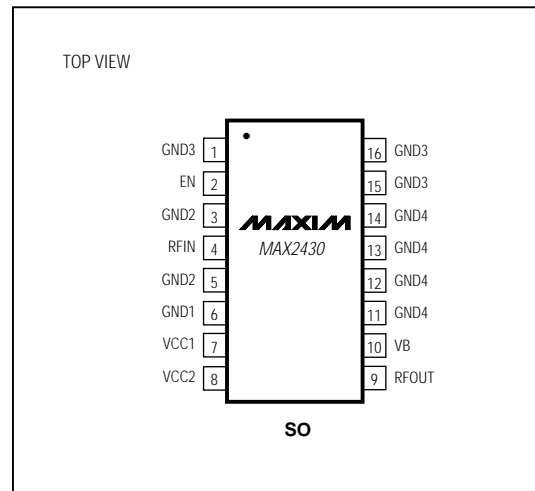
Ordering Information

PART	TEMP. RANGE	PIN-PACKAGE
MAX2430CSE	0°C to +70°C	16 Narrow SO

Typical Operating Circuit



Pin Configuration



MAXIM

Maxim Integrated Products 1

Call toll free 1-800-998-8800 for free samples or literature.