



# Triple-Output TFT LCD DC-DC Converter

MAX1748

## General Description

The MAX1748 triple-output DC-DC converter in a low-profile TSSOP package provides the regulated voltages required by active matrix, thin-film transistor (TFT) liquid crystal displays (LCDs). One high-power DC-DC converter and two low-power charge pumps convert the +3.3V to +5V input supply voltage into three independent output voltages.

The primary high-power DC-DC converter generates a boosted output voltage ( $V_{MAIN}$ ) up to 13V that is regulated within  $\pm 1\%$ . The low-power BiCMOS control circuitry and the low on-resistance ( $0.35\Omega$ ) of the integrated power MOSFET allows efficiency up to 93%. The 1MHz current-mode PWM architecture provides fast transient response and allows the use of ultra-small inductors and ceramic capacitors.

The dual charge pumps independently regulate one positive output ( $V_{POS}$ ) and one negative output ( $V_{NEG}$ ). These low-power outputs use external diode and capacitor stages (as many stages as required) to regulate output voltages up to +40V and down to -40V. A proprietary regulation algorithm minimizes output ripple, as well as capacitor sizes for both charge pumps.

The MAX1748 is available in the ultra-thin TSSOP package (1.1mm max height).

## Applications

TFT Active Matrix LCD Displays  
 Passive Matrix LCD Displays  
 PDAs  
 Digital Still Cameras  
 Camcorders

*Typical Operating Circuit appears at end of data sheet.*

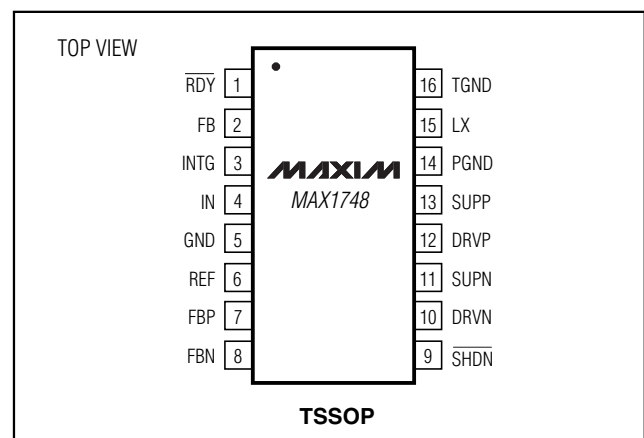
## Features

- ◆ Three Integrated DC-DC Converters
- ◆ 1MHz Current-Mode PWM Boost Regulator
  - Up to +13V Main High-Power Output
  - $\pm 1\%$  Accuracy
  - High Efficiency (93%)
- ◆ Dual Charge-Pump Outputs
  - Up to +40V Positive Charge-Pump Output
  - Down to -40V Negative Charge-Pump Output
- ◆ Internal Supply Sequencing
- ◆ Internal Power MOSFETs
- ◆ +2.7V to +5.5V Input Supply
- ◆ 0.1 $\mu$ A Shutdown Current
- ◆ 0.6mA Quiescent Current
- ◆ Internal Soft-Start
- ◆ Power-Ready Output
- ◆ Ultra-Small External Components
- ◆ Thin TSSOP Package (1.1mm max)

## Ordering Information

PART	TEMP. RANGE	PIN-PACKAGE
MAX1748EUE	-40°C to +85°C	16 TSSOP

## Pin Configuration



# Triple-Output TFT LCD DC-DC Converter

## ABSOLUTE MAXIMUM RATINGS

IN, $\overline{\text{SHDN}}$ , TGND to GND	-0.3V to +6V	Continuous Power Dissipation ( $T_A = +70^\circ\text{C}$ )	
DRVN to GND	-0.3V to ( $V_{\text{SUPN}} + 0.3\text{V}$ )	16-Pin TSSOP (derate 9.4mW/ $^\circ\text{C}$ above $+70^\circ\text{C}$ )	755mW
DRVP to GND	-0.3V to ( $V_{\text{SUPP}} + 0.3\text{V}$ )	Operating Temperature Range	
PGND to GND	$\pm 0.3\text{V}$	MAX1748EUE	-40 $^\circ\text{C}$ to +85 $^\circ\text{C}$
RDY to GND	-0.3V to +14V	Junction Temperature	+150 $^\circ\text{C}$
LX, SUPP, SUPN to PGND	-0.3V to +14V	Storage Temperature Range	-65 $^\circ\text{C}$ to +150 $^\circ\text{C}$
INTG, REF, FB, FBN, FBP to GND	-0.3V to ( $V_{\text{IN}} + 0.3\text{V}$ )	Lead Temperature (soldering, 10s)	+300 $^\circ\text{C}$

Stresses beyond those listed under "Absolute Maximum Ratings" may cause permanent damage to the device. These are stress ratings only, and functional operation of the device at these or any other conditions beyond those indicated in the operational sections of the specifications is not implied. Exposure to absolute maximum rating conditions for extended periods may affect device reliability.

## ELECTRICAL CHARACTERISTICS

( $V_{\text{IN}} = +3.0\text{V}$ ,  $\overline{\text{SHDN}} = \text{IN}$ ,  $V_{\text{SUPP}} = V_{\text{SUPN}} = 10\text{V}$ ,  $\text{TGND} = \text{PGND} = \text{GND}$ ,  $C_{\text{REF}} = 0.22\mu\text{F}$ ,  $C_{\text{INTG}} = 470\text{pF}$ ,  $T_A = 0^\circ\text{C}$  to  $+85^\circ\text{C}$ , unless otherwise noted. Typical values are at  $T_A = +25^\circ\text{C}$ .)

PARAMETER	SYMBOL	CONDITIONS	MIN	TYP	MAX	UNITS
Input Supply Range	$V_{\text{IN}}$		2.7		5.5	V
Input Undervoltage Threshold	$V_{\text{UVLO}}$	$V_{\text{IN}}$ rising, 40mV hysteresis (typ)	2.2	2.4	2.6	V
IN Quiescent Supply Current	$I_{\text{IN}}$	$V_{\text{FB}} = V_{\text{FBP}} = 1.5\text{V}$ , $V_{\text{FBN}} = -0.2\text{V}$		0.6	1	mA
SUPP Quiescent Current	$I_{\text{SUPP}}$	$V_{\text{FBP}} = 1.5\text{V}$		0.4	0.8	mA
SUPN Quiescent Current	$I_{\text{SUPN}}$	$V_{\text{FBN}} = -0.1\text{V}$		0.4	0.8	mA
IN Shutdown Current		$V_{\overline{\text{SHDN}}} = 0$ , $V_{\text{IN}} = 5\text{V}$		0.1	10	$\mu\text{A}$
SUPP Shutdown Current		$V_{\overline{\text{SHDN}}} = 0$ , $V_{\text{SUPP}} = 13\text{V}$		0.1	10	$\mu\text{A}$
SUPN Shutdown Current		$V_{\overline{\text{SHDN}}} = 0$ , $V_{\text{SUPN}} = 13\text{V}$		0.1	10	$\mu\text{A}$
<b>MAIN BOOST CONVERTER</b>						
Output Voltage Range	$V_{\text{MAIN}}$		$V_{\text{IN}}$		13	V
FB Regulation Voltage	$V_{\text{FB}}$	$T_A = 0^\circ\text{C}$ to $+85^\circ\text{C}$	1.235	1.248	1.261	V
FB Input Bias Current	$I_{\text{FB}}$	$V_{\text{FB}} = 1.25\text{V}$ , $\text{INTG} = \text{GND}$	-50		50	nA
Operating Frequency	$f_{\text{OSC}}$		0.85	1	1.15	MHz
Oscillator Maximum Duty Cycle			78	85	90	%
Load Regulation		$I_{\text{MAIN}} = 0$ to 200mA, $V_{\text{MAIN}} = 10\text{V}$		0.2		%
Line Regulation				0.1		%/V
Integrator Gm				320		$\mu\text{mho}$
LX Switch On-Resistance	$R_{\text{LX(ON)}}$	$I_{\text{LX}} = 100\text{mA}$		0.35	0.7	$\Omega$
LX Leakage Current	$I_{\text{LX}}$	$V_{\text{LX}} = 13\text{V}$		0.01	20	$\mu\text{A}$
LX Current Limit	$I_{\text{LX(MAX)}}$	Phase I = soft-start (1.0ms)	0.275	0.380	0.500	A
		Phase II = soft-start (1.0ms)		0.75		
		Phase III = soft-start (1.0ms)		1.12		
		Phase IV = fully on (after 3.0ms)	1.1	1.5	2.0	
Maximum RMS LX Current				1		A
Soft-Start Period	$t_{\text{SS}}$	Power-up to the end of Phase III		3072 / $f_{\text{OSC}}$		s
FB Fault Trip Level			1.07	1.1	1.14	V
<b>POSITIVE CHARGE PUMP</b>						
$V_{\text{SUPP}}$ Input Supply Range	$V_{\text{SUPP}}$		2.7		13	V

# Triple-Output TFT LCD DC-DC Converter

MAX1748

## ELECTRICAL CHARACTERISTICS (continued)

( $V_{IN} = +3.0V$ ,  $\overline{SHDN} = IN$ ,  $V_{SUPP} = V_{SUPN} = 10V$ ,  $TGND = PGND = GND$ ,  $C_{REF} = 0.22\mu F$ ,  $C_{INTG} = 470pF$ ,  $T_A = 0^\circ C$  to  $+85^\circ C$ , unless otherwise noted. Typical values are at  $T_A = +25^\circ C$ .)

PARAMETER	SYMBOL	CONDITIONS	MIN	TYP	MAX	UNITS
Operating Frequency				$0.5 \times f_{OSC}$		Hz
FBP Regulation Voltage	$V_{FBP}$		1.20	1.25	1.30	V
FBP Input Bias Current	$I_{FBP}$	$V_{FBP} = 1.5V$	-50		50	nA
DRVP PCH On-Resistance				3	10	$\Omega$
DRVP NCH On-Resistance		$V_{FBP} = 1.213V$		1.5	4	$\Omega$
		$V_{FBP} = 1.275V$	20			k $\Omega$
FBP Power-Ready Trip Level		Rising edge	1.091	1.125	1.159	V
FBP Fault Trip Level		Falling edge		1.11		V
Maximum RMS DRVP Current				0.1		A
<b>NEGATIVE CHARGE PUMP</b>						
$V_{SUPN}$ Input Supply Range	$V_{SUPN}$		2.7		13	V
Operating Frequency				$0.5 \times f_{OSC}$		Hz
FBN Regulation Voltage	$V_{FBN}$		-50	0	50	mV
FBN Input Bias Current	$I_{FBN}$	$V_{FBN} = -0.05V$	-50		50	nA
DRVN PCH On-Resistance				3	10	$\Omega$
DRVN NCH On-Resistance		$V_{FBN} = 0.035V$		1.5	4	$\Omega$
		$V_{FBN} = -0.025V$	20			k $\Omega$
FBN Power-Ready Trip Level		Rising edge	80	110	165	mV
FBN Fault Trip Level		Falling edge		130		mV
Maximum RMS DRVN Current				0.1		A
<b>REFERENCE</b>						
Reference Voltage	$V_{REF}$	$-2\mu A < I_{REF} < 50\mu A$	1.231	1.25	1.269	V
Reference Undervoltage Threshold		$V_{REF}$ rising	0.9	1.05	1.2	V
<b>LOGIC SIGNALS</b>						
$\overline{SHDN}$ Input Low Voltage		0.4V hysteresis (typ)			0.9	V
$\overline{SHDN}$ Input High Voltage			2.1			V
$\overline{SHDN}$ Input Current	$I_{\overline{SHDN}}$			0.01	1	$\mu A$
$\overline{RDY}$ Output Low Voltage		$I_{SINK} = 2mA$		0.25	0.5	V
$\overline{RDY}$ Output High Voltage		$V_{\overline{RDY}} = 13V$		0.01	1	$\mu A$

# Triple-Output TFT LCD DC-DC Converter

## ELECTRICAL CHARACTERISTICS (continued)

( $V_{IN} = +3.0V$ ,  $\overline{SHDN} = IN$ ,  $V_{SUPP} = V_{SUPN} = 10V$ ,  $TGND = PGND = GND$ ,  $C_{REF} = 0.22\mu F$ ,  $C_{INTG} = 470pF$ ,  $T_A = -40^\circ C$  to  $+85^\circ C$ , unless otherwise noted.) (Note 1)

PARAMETER	SYMBOL	CONDITIONS	MIN	MAX	UNITS
Input Supply Range	$V_{IN}$		2.7	5.5	V
Input Undervoltage Threshold	$V_{UVLO}$	$V_{IN}$ rising, 40mV hysteresis (typ)	2.2	2.6	V
IN Quiescent Supply Current	$I_{IN}$	$V_{FB} = V_{FBP} = 1.5V$ , $V_{FBN} = -0.2V$		1	mA
SUPP Quiescent Current	$I_{SUPP}$	$V_{FBP} = 1.5V$		0.8	mA
SUPN Quiescent Current	$I_{SUPN}$	$V_{FBN} = -0.1V$		0.8	mA
IN Shutdown Current		$V_{\overline{SHDN}} = 0$ , $V_{IN} = 5V$		10	$\mu A$
SUPP Shutdown Current		$V_{\overline{SHDN}} = 0$ , $V_{SUPP} = 13V$		10	$\mu A$
SUPN Shutdown Current		$V_{\overline{SHDN}} = 0$ , $V_{SUPN} = 13V$		10	$\mu A$
<b>MAIN BOOST CONVERTER</b>					
Output Voltage Range	$V_{MAIN}$		$V_{IN}$	13	V
FB Regulation Voltage	$V_{FB}$		1.225	1.271	V
FB Input Bias Current	$I_{FB}$	$V_{FB} = 1.25V$ , $INTG = GND$	-50	50	nA
Operating Frequency	$F_{OSC}$		0.75	1.25	MHz
Oscillator Maximum Duty Cycle			78	90	%
LX Switch On-Resistance	$R_{LX(ON)}$	$I_{LX} = 100mA$		0.7	$\Omega$
LX Leakage Current	$I_{LX}$	$V_{LX} = 13V$		20	$\mu A$
LX Current Limit	$I_{LX(MAX)}$	Phase I = soft-start (1.0ms)	0.275	0.500	A
		Phase IV = fully on (after 3.0ms)	1.1	2.0	
FB Fault Trip Level			1.07	1.14	V
<b>POSITIVE CHARGE PUMP</b>					
SUPP Input Supply Range	$V_{SUPP}$		2.7	13	V
FBP Regulation Voltage	$V_{FBP}$		1.20	1.30	V
FBP Input Bias Current	$I_{FBP}$	$V_{FBP} = 1.5V$	-50	50	nA
DRVP PCH On-Resistance				10	$\Omega$
DRVP NCH On-Resistance		$V_{FBP} = 1.213V$		4	$\Omega$
		$V_{FBP} = 1.275V$	20		$k\Omega$
FBP Power-Ready Trip Level		Rising edge	1.091	1.159	V
<b>NEGATIVE CHARGE PUMP</b>					
SUPN Input Supply Range	$V_{SUPN}$		2.7	13	V
FBN Regulation Voltage	$V_{FBN}$		-50	50	mV
FBN Input Bias Current	$I_{FBN}$	$V_{FBN} = -0.05V$	-50	50	nA
DRVN PCH On-Resistance				10	$\Omega$
DRVN NCH On-Resistance		$V_{FBN} = 0.035V$		4	$\Omega$
		$V_{FBN} = -0.025V$	20		$k\Omega$
FBN Power-Ready Trip Level		Rising edge	80	165	mV
<b>REFERENCE</b>					
Reference Voltage	$V_{REF}$	$-2\mu A < I_{REF} < 50\mu A$	1.223	1.269	V
Reference Undervoltage		$V_{REF}$ rising	0.9	1.2	V

# Triple-Output TFT LCD DC-DC Converter

MAX1748

## ELECTRICAL CHARACTERISTICS (continued)

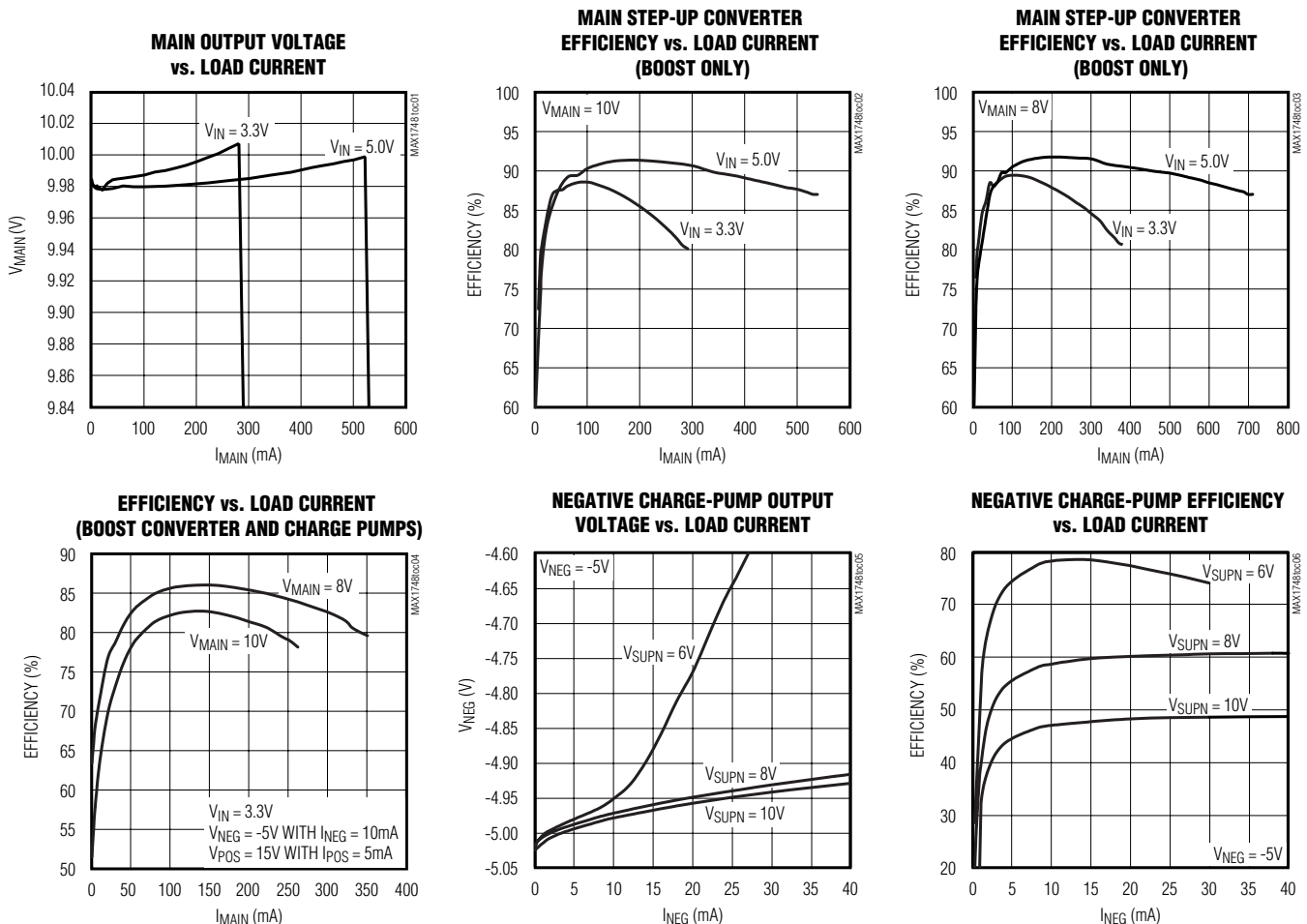
( $V_{IN} = +3.0V$ ,  $\overline{SHDN} = IN$ ,  $V_{SUPP} = V_{SUPN} = 10V$ ,  $TGND = PGND = GND$ ,  $C_{REF} = 0.22\mu F$ ,  $C_{INTG} = 470pF$ ,  $T_A = -40^\circ C$  to  $+85^\circ C$ , unless otherwise noted.) (Note 1)

PARAMETER	SYMBOL	CONDITIONS	MIN	MAX	UNITS
<b>LOGIC SIGNALS</b>					
$\overline{SHDN}$ Input Low Voltage		0.45V hysteresis (typ)		0.9	V
$\overline{SHDN}$ Input High Voltage			2.1		V
$\overline{SHDN}$ Input Current	$I_{SHDN}$			1	$\mu A$
$\overline{RDY}$ Output Low Voltage		$I_{SINK} = 2mA$		0.5	V
$\overline{RDY}$ Output High Leakage		$V_{RDY} = 13V$		1	$\mu A$

**Note 1:** Specifications from  $0^\circ C$  to  $-40^\circ C$  are guaranteed by design, not production tested.

## Typical Operating Characteristics

(Circuit of Figure 5,  $V_{IN} = 3.3V$ ,  $T_A = +25^\circ C$ , unless otherwise noted.)

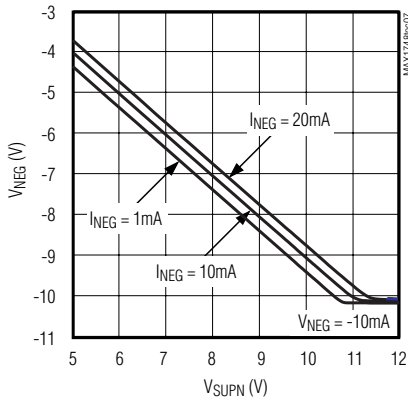


# Triple-Output TFT LCD DC-DC Converter

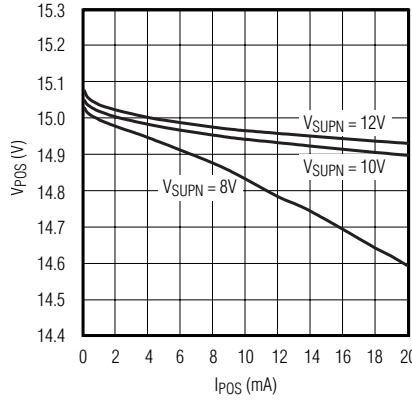
## Typical Operating Characteristics (continued)

(Circuit of Figure 5,  $V_{IN} = 3.3V$ ,  $T_A = +25^\circ C$ , unless otherwise noted.)

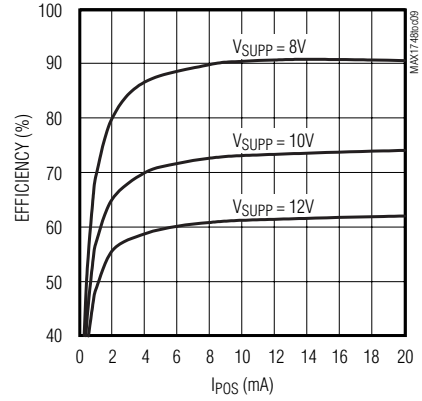
**MAXIMUM NEGATIVE CHARGE-PUMP OUTPUT VOLTAGE vs. SUPPLY VOLTAGE**



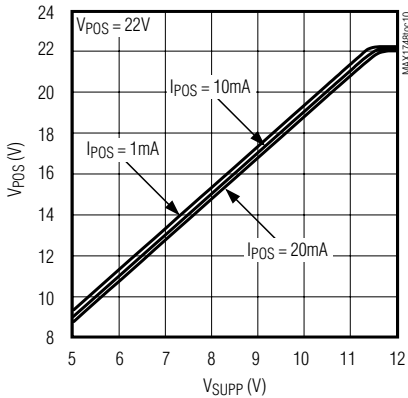
**POSITIVE CHARGE-PUMP OUTPUT VOLTAGE vs. LOAD CURRENT**



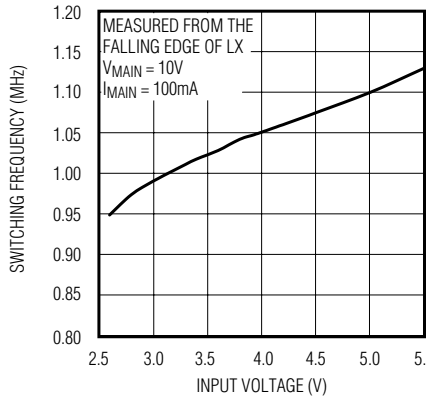
**POSITIVE CHARGE-PUMP EFFICIENCY vs. LOAD CURRENT**



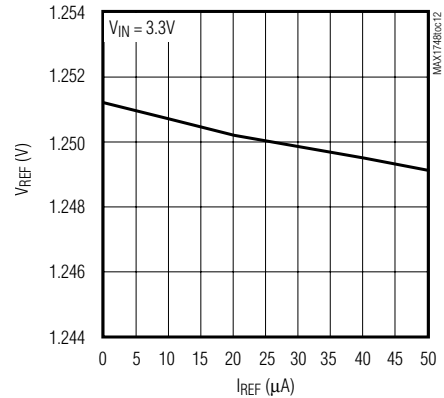
**MAXIMUM POSITIVE CHARGE-PUMP OUTPUT VOLTAGE vs. SUPPLY VOLTAGE**



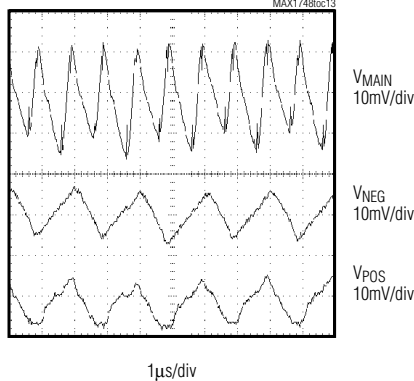
**SWITCHING FREQUENCY vs. INPUT VOLTAGE**



**REFERENCE VOLTAGE vs. REFERENCE LOAD CURRENT**

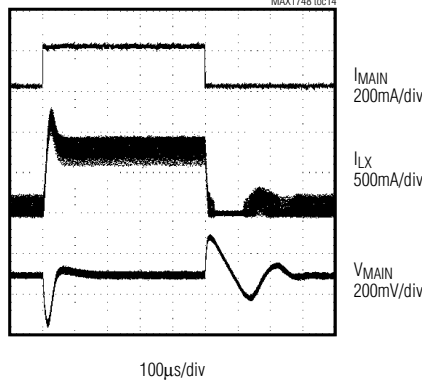


**RIPPLE WAVEFORMS**



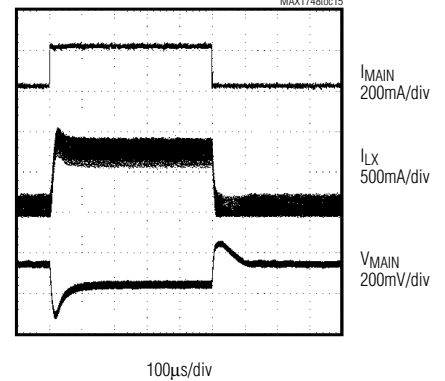
$V_{MAIN} = 10V$ ,  $I_{MAIN} = 200mA$ ,  
 $V_{NEG} = -5V$ ,  $I_{NEG} = 10mA$ ,  
 $V_{POS} = 15V$ ,  $I_{POS} = 10mA$

**LOAD-TRANSIENT RESPONSE**



$V_{IN} = 3.3V$ ,  $V_{MAIN} = 10V$ ,  
 $R_{MAIN} = 500\Omega$  TO  $50\Omega$  (20mA TO 200mA)

**LOAD-TRANSIENT RESPONSE WITHOUT INTEGRATOR**



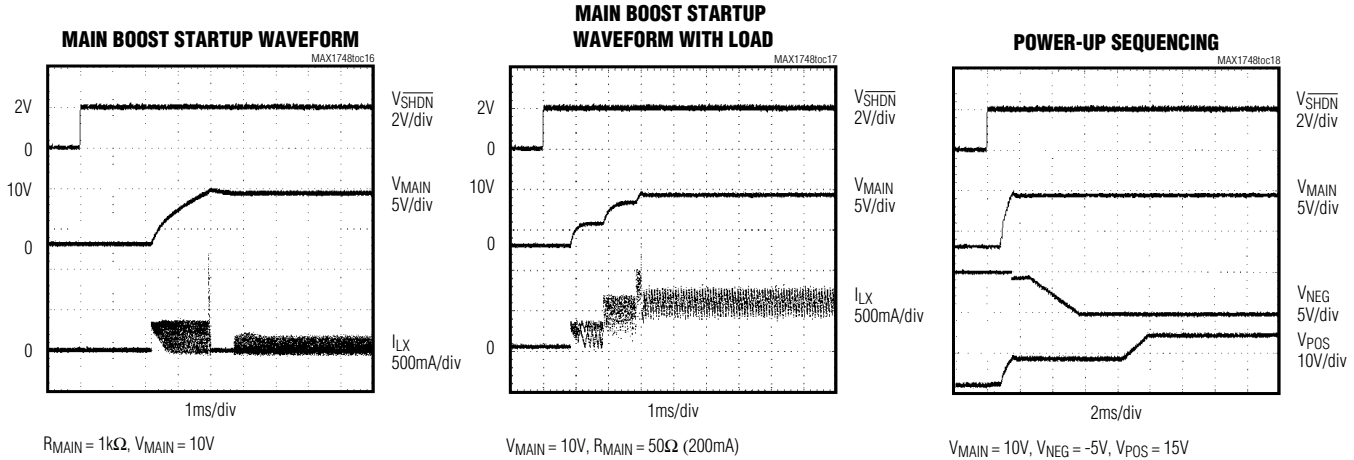
$V_{IN} = 3.3V$ ,  $V_{MAIN} = 10V$ ,  $INTG = REF$ ,  
 $R_{MAIN} = 500\Omega$  TO  $50\Omega$  (20mA TO 200mA)

# Triple-Output TFT LCD DC-DC Converter

MAX1748

## Typical Operating Characteristics (continued)

(Circuit of Figure 5,  $V_{IN} = 3.3V$ ,  $T_A = +25^\circ C$ , unless otherwise noted.)



## Pin Description

PIN	NAME	FUNCTION
1	$\overline{RDY}$	Active-Low Open-Drain Output. Indicates all outputs are ready. The on-resistance is $125\Omega$ (typ).
2	FB	Main Boost Regulator Feedback Input. Regulates to 1.248V nominal. Connect feedback resistive divider to analog ground (GND).
3	INTG	Main Boost Integrator Output. If used, connect 470pF to analog ground (GND). To disable integrator, connect to REF.
4	IN	Supply Input. +2.7V to +5.5V input range. Bypass with a 0.1 $\mu$ F capacitor between IN and GND, as close to the pins as possible.
5	GND	Analog Ground. Connect to power ground (PGND) underneath the IC.
6	REF	Internal Reference Bypass Terminal. Connect a 0.22 $\mu$ F capacitor from this terminal to analog ground (GND). External load capability to 50 $\mu$ A.
7	FBP	Positive Charge-Pump Regulator Feedback Input. Regulates to 1.25V nominal. Connect feedback resistive divider to analog ground (GND).
8	FBN	Negative Charge-Pump Regulator Feedback Input. Regulates to 0V nominal.
9	$\overline{SHDN}$	Active-Low Logic-Level Shutdown Input. Connect $\overline{SHDN}$ to IN for normal operation.
10	DRVN	Negative Charge-Pump Driver Output. Output high level is $V_{SUPN}$ , and low level is PGND.
11	SUPN	Negative Charge-Pump Driver Supply Voltage. Bypass to PGND with a 0.1 $\mu$ F capacitor.
12	DRVP	Positive Charge-Pump Driver Output. Output high level is $V_{SUPP}$ , and low level is PGND.

# Triple-Output TFT LCD DC-DC Converter

## Pin Description (continued)

PIN	NAME	FUNCTION
13	SUPP	Positive Charge-Pump Driver Supply Voltage. Bypass to PGND with a 0.1 $\mu$ F capacitor.
14	PGND	Power Ground. Connect to GND underneath the IC.
15	LX	Main Boost Regulator Power MOSFET N-Channel Drain. Connect output diode and output capacitor as close to PGND as possible.
16	TGND	Must be connected to ground.

### Detailed Description

The MAX1748 is a highly efficient triple-output power supply for TFT LCD applications. The device contains one high-power step-up converter and two low-power charge pumps. The primary boost converter uses an internal N-channel MOSFET to provide maximum efficiency and to minimize the number of external components. The output voltage of the main boost converter ( $V_{MAIN}$ ) can be set from  $V_{IN}$  to 13V with external resistors.

The dual charge pumps independently regulate a positive output ( $V_{POS}$ ) and a negative output ( $V_{NEG}$ ). These low-power outputs use external diode and capacitor stages (as many stages as required) to regulate output voltages up to +40V and down to -40V. A proprietary regulation algorithm minimizes output ripple as well as capacitor sizes for both charge pumps.

Also included in the MAX1748 are a precision 1.25V reference that sources up to 50 $\mu$ A, logic shutdown, soft-start, power-up sequencing, fault detection, and an active-low open-drain ready output.

#### Main Boost Converter

The MAX1748 main step-up converter switches at a constant 1MHz internal oscillator frequency to allow the use of small inductors and output capacitors. The MOSFET switch pulse width is modulated to control the power transferred on each switching cycle and to regulate the output voltage.

During PWM operation, the internal clock's rising edge sets a flip-flop, which turns on the N-channel MOSFET (Figure 1). The switch turns off when the sum of the voltage-error, slope-compensation, and current-feedback signals trips the multi-input comparator and resets the flip-flop. The switch remains off for the rest of the clock cycle. Changes in the output voltage error signal shift the switch current trip level, consequently modulating the MOSFET duty cycle.

#### Dual Charge-Pump Regulator

The MAX1748 contains two individual low-power charge pumps. One charge pump inverts the supply voltage ( $SUPN$ ) and provides a regulated negative output voltage. The second charge pump doubles the supply voltage ( $SUPP$ ) and provides a regulated positive output voltage. The MAX1748 contains internal P-channel and N-channel MOSFETs to control the power transfer. The internal MOSFETs switch at a constant 500kHz ( $0.5 \times f_{OSC}$ ).

#### Negative Charge Pump

During the first half-cycle, the P-channel MOSFET turns on and the flying capacitor  $C5$  charges to  $V_{SUPN}$  minus a diode drop (Figure 2). During the second half-cycle, the P-channel MOSFET turns off, and the N-channel MOSFET turns on, level shifting  $C5$ . This connects  $C5$  in parallel with the reservoir capacitor  $C6$ . If the voltage across  $C6$  minus a diode drop is lower than the voltage across  $C5$ , charge flows from  $C5$  to  $C6$  until the diode ( $D5$ ) turns off. The amount of charge transferred to the output is controlled by the variable N-channel on-resistance.

#### Positive Charge Pump

During the first half-cycle, the N-channel MOSFET turns on and charges the flying capacitor  $C3$  (Figure 3). This initial charge is controlled by the variable N-channel on-resistance. During the second half-cycle, the N-channel MOSFET turns off and the P-channel MOSFET turns on, level shifting  $C3$  by  $V_{SUPP}$  volts. This connects  $C3$  in parallel with the reservoir capacitor  $C4$ . If the voltage across  $C4$  plus a diode drop ( $V_{POS} + V_{DIODE}$ ) is smaller than the level-shifted flying capacitor voltage ( $V_{C3} + V_{SUPP}$ ), charge flows from  $C3$  to  $C4$  until the diode ( $D3$ ) turns off.

#### Soft-Start

For the main boost regulator, soft-start allows a gradual increase of the internal current-limit level during startup to reduce input surge currents. The MAX1748 divides



# Triple-Output TFT LCD DC-DC Converter

MAX1748

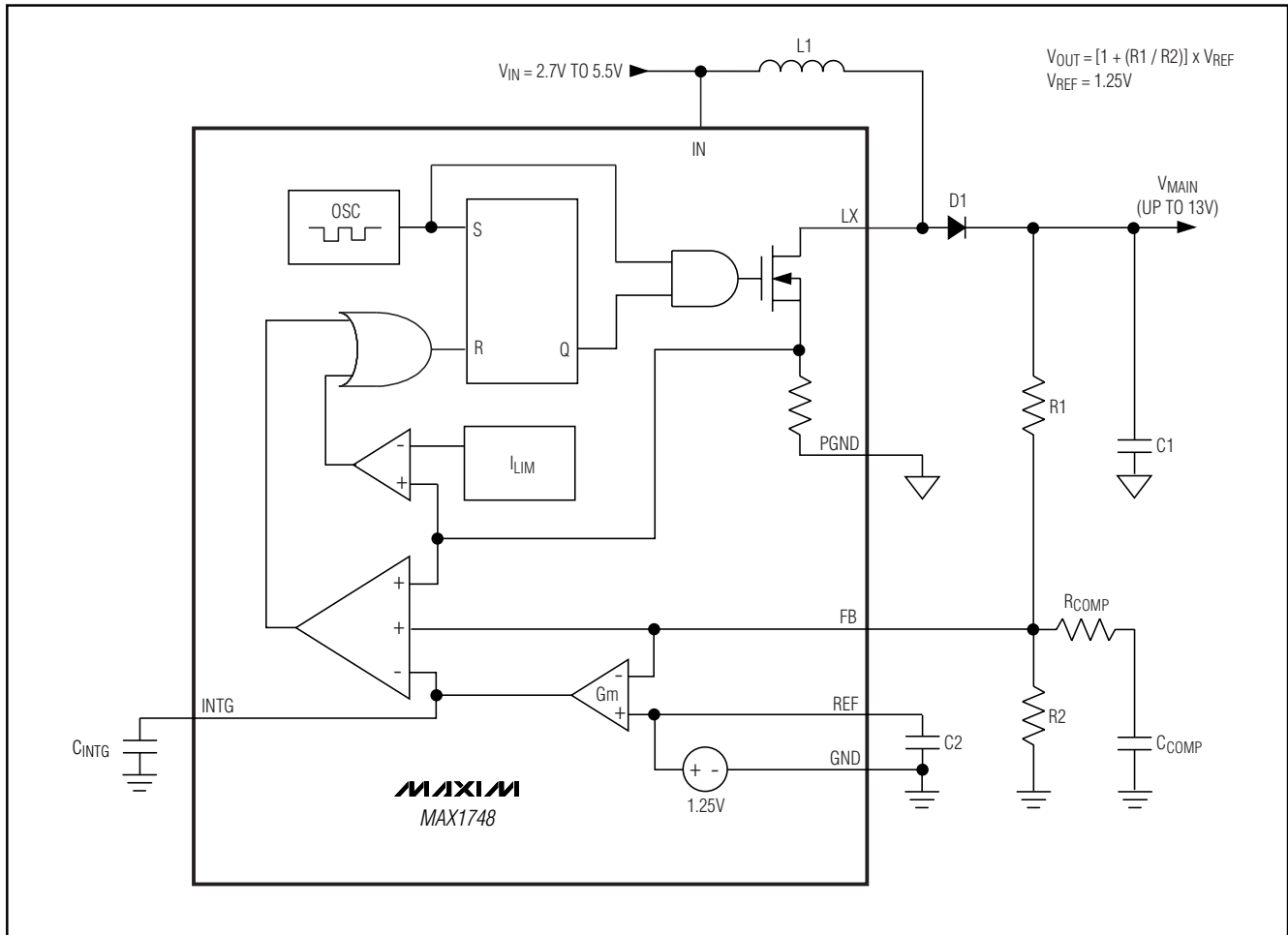


Figure 1. PWM Boost Converter Block Diagram

the soft-start period into four phases. During phase 1, the MAX1748 limits the current limit to only 0.38A (see *Electrical Characteristics*), approximately a quarter of the maximum current limit ( $I_{LX(MAX)}$ ). If the output does not reach regulation within 1ms, soft-start enters phase II and the current limit is increased by another 25%. This process is repeated for phase III. The maximum 1.5A (typ) current limit is reached within 3.0ms or when the output reaches regulation, whichever occurs first (see the Startup Waveforms in the *Typical Operating Characteristics*).

For the charge pumps, soft-start is achieved by controlling the rise rate of the output voltage. The output voltage regulates within 4ms, regardless of output capacitance and load, limited only by the regulator's output impedance.

## Shutdown

A logic-low level on  $\overline{SHDN}$  disables all three MAX1748 converters and the reference. When shut down, supply current drops to 0.1 $\mu$ A to maximize battery life and the reference is pulled to ground. The output capacitance and load current determine the rate at which each output voltage will decay. A logic-level high on  $\overline{SHDN}$  power activates the MAX1748 (see *Power-Up Sequencing*). Do not leave  $\overline{SHDN}$  floating. If unused, connect  $\overline{SHDN}$  to IN.

## Power-Up Sequencing

Upon power-up or exiting shutdown, the MAX1748 starts a power-up sequence. First, the reference powers up. Then the main DC-DC step-up converter powers up with soft-start enabled. Once the main boost

# Triple-Output TFT LCD DC-DC Converter

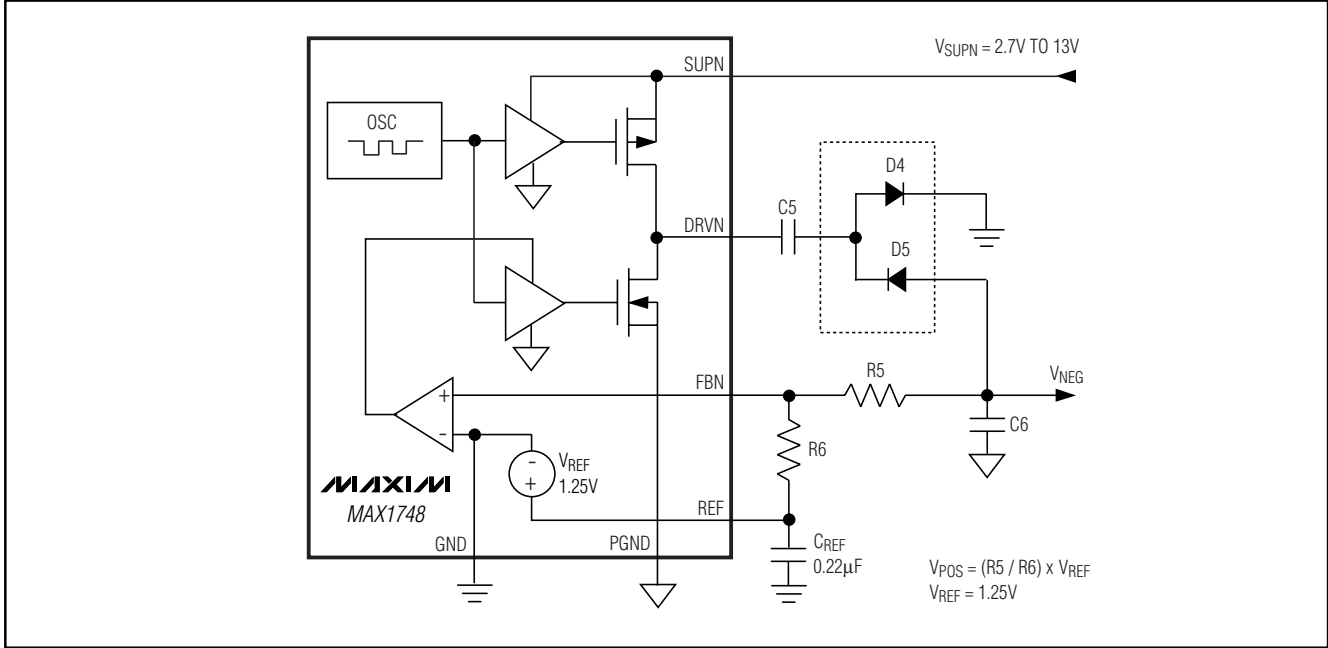


Figure 2. Negative Charge-Pump Block Diagram

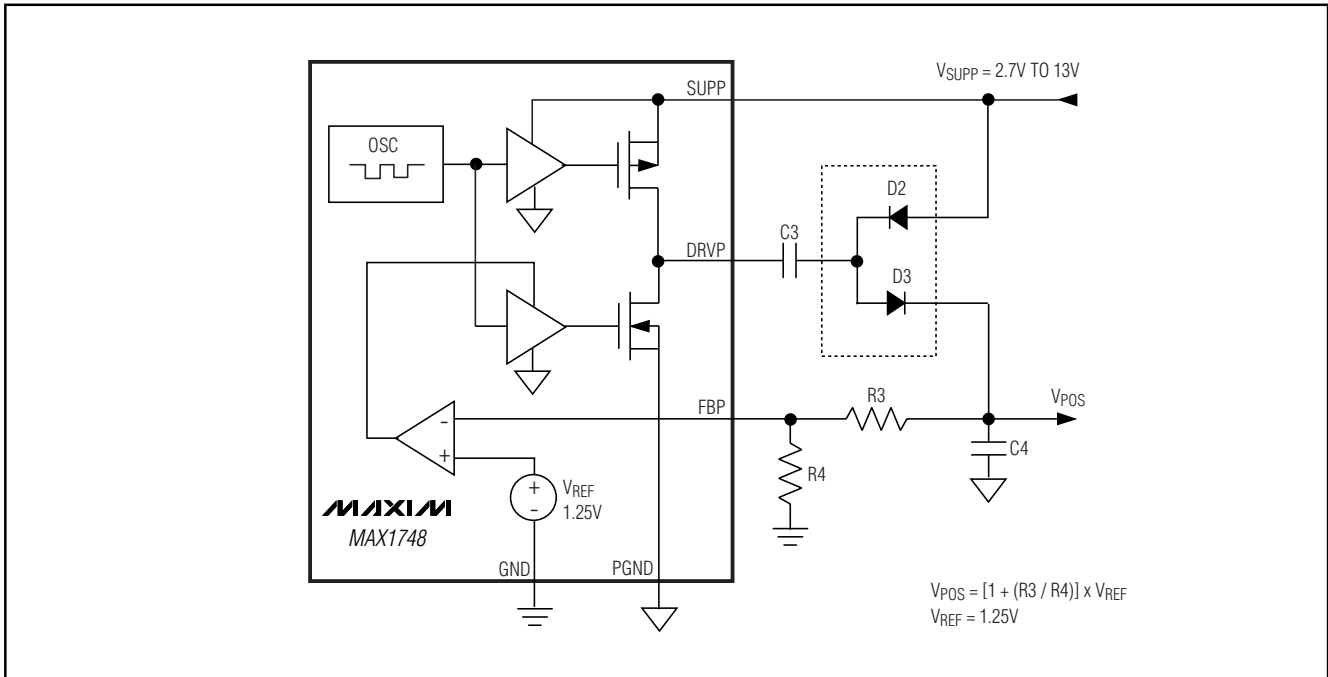


Figure 3. Positive Charge-Pump Block Diagram

# Triple-Output TFT LCD DC-DC Converter

converter reaches regulation, the negative charge pump turns on. When the negative output voltage reaches approximately 88% of its nominal value ( $V_{FBN} < 110\text{mV}$ ), the positive charge pump starts up. Finally, when the positive output voltage reaches 90% of its nominal value ( $V_{FBP} > 1.125\text{V}$ ), the active-low ready signal ( $\overline{\text{RDY}}$ ) goes low (see *Power Ready* section).

## Power Ready

Power ready is an open-drain output. When the power-up sequence is properly completed, the MOSFET turns on and pulls  $\overline{\text{RDY}}$  low with a typical  $125\Omega$  on-resistance. If a fault is detected, the internal open-drain MOSFET appears as a high impedance. Connect a  $100\text{k}\Omega$  pull-up resistor between  $\overline{\text{RDY}}$  and IN for a logic-level output.

## Fault Detection

Once  $\overline{\text{RDY}}$  is low and if any output falls below its fault-detection threshold,  $\overline{\text{RDY}}$  goes high impedance.

For the reference, the fault threshold is  $1.05\text{V}$ . For the main boost converter, the fault threshold is 88% of its nominal value ( $V_{FB} < 1.1\text{V}$ ). For the negative charge pump, the fault threshold is approximately 90% of its nominal value ( $V_{FBN} < 130\text{mV}$ ). For the positive charge pump, the fault threshold is 88% of its nominal value ( $V_{FBP} < 1.11\text{V}$ ).

Once an output faults, all outputs later in the power sequence shut down until the faulted output rises above its power-up threshold. For example, if the negative charge-pump output voltage falls below the fault detection threshold, the main boost converter remains active while the positive charge pump stops switching and its output voltage decays, depending on output capacitance and load. The positive charge-pump output will not power up until the negative charge-pump output voltage rises above its power-up threshold (see the *Power-Up Sequencing* section).

## Voltage Reference

The voltage at REF is nominally  $1.25\text{V}$ . The reference can source up to  $50\mu\text{A}$  with good load regulation (see *Typical Operating Characteristics*). Connect a  $0.22\mu\text{F}$  bypass capacitor between REF and GND.

## Design Procedure

### Main Boost Converter

#### Output Voltage Selection

Adjust the output voltage by connecting a voltage divider from the output ( $V_{\text{MAIN}}$ ) to FB to GND (see *Typical Operating Circuit*). Select R2 in the  $10\text{k}\Omega$  to  $20\text{k}\Omega$  range. Higher resistor values improve efficiency at low output current but increase output voltage error

due to the feedback input bias current. Calculate R1 with the following equations:

$$R1 = R2 [(V_{\text{MAIN}} / V_{\text{REF}}) - 1]$$

where  $V_{\text{REF}} = 1.25\text{V}$ .  $V_{\text{MAIN}}$  may range from  $V_{\text{IN}}$  to  $13\text{V}$ .

## Feedback Compensation

For stability, add a pole-zero pair from FB to GND in the form of a series resistor ( $R_{\text{COMP}}$ ) and capacitor ( $C_{\text{COMP}}$ ). The resistor should be half the value of the R2 feedback resistor.

## Inductor Selection

Inductor selection depends on input voltage, output voltage, maximum current, switching frequency, size, and availability of inductor values. Other factors can include efficiency and ripple voltage. Inductors are specified by their inductance (L), peak current ( $I_{\text{PEAK}}$ ), and resistance ( $R_L$ ). The following boost-circuit equations are useful in choosing inductor values based on the application. They allow the trading of peak current and inductor value while allowing for consideration of component availability and cost.

The following equation includes a constant LIR, which is the ratio of the inductor peak-to-peak AC current to maximum average DC inductor current. A good compromise between the size of the inductor, loss, and output ripple is to choose an LIR of 0.3 to 0.5. The peak inductor current is then given by:

$$I_{\text{PEAK}} = \frac{I_{\text{MAIN(MAX)}} \times V_{\text{MAIN}}}{\text{Efficiency} \times V_{\text{IN(MIN)}}} \times \left[1 + (\text{LIR}/2)\right]$$

The inductance value is then given by:

$$L = \frac{V_{\text{IN(MIN)}}^2 \times \text{Efficiency} \times (V_{\text{MAIN}} - V_{\text{IN(MIN)}})}{V_{\text{MAIN}}^2 \times \text{LIR} \times I_{\text{MAIN(MAX)}} \times f_{\text{OSC}}}$$

Considering the typical application circuit, the maximum DC load current ( $I_{\text{MAIN(MAX)}}$ ) is  $200\text{mA}$  with a  $10\text{V}$  output. A  $6.8\mu\text{H}$  inductance value is then chosen, based on the above equations and using 85% efficiency and a  $1\text{MHz}$  operating frequency. Smaller inductance values typically offer a smaller physical size for a given series resistance and current rating, allowing the smallest overall circuit dimensions. However, due to higher peak inductor currents, the output voltage ripple ( $I_{\text{PEAK}} \times$  output filter capacitor ESR) will be higher.

Use inductors with a ferrite core or equivalent; powder iron cores are not recommended for use with the MAX1748's high switching frequencies. The inductor's maximum current rating should exceed  $I_{\text{PEAK}}$ . Under fault conditions, inductor current may reach up to  $2.0\text{A}$ .

# Triple-Output TFT LCD DC-DC Converter

The MAX1748's fast current-limit circuitry allows the use of soft-saturation inductors while still protecting the IC.

The inductor's DC resistance significantly affects efficiency. For best performance, select inductors with resistance less than the internal N-channel FET resistance. To minimize radiated noise in sensitive applications, use a shielded inductor.

The inductor should have as low a series resistance as possible. For continuous inductor current, the power loss in the inductor resistance,  $P_{LR}$ , is approximated by:

$$P_{LR} \cong (I_{MAIN} \times V_{MAIN} / V_{IN})^2 \times R_L$$

where  $R_L$  is the inductor series resistance.

### Output Capacitor

A 10 $\mu$ F capacitor works well in most applications. The equivalent series resistance (ESR) of the output filter capacitor affects efficiency and output ripple. Output voltage ripple is largely the product of the peak inductor current and the output capacitor ESR. Use low-ESR ceramic capacitors for best performance. Low-ESR, surface-mount tantalum capacitors with higher capacity may be used for load transients with high peak currents. Voltage ratings and temperature characteristics should be considered.

### Input Capacitor

The input capacitor ( $C_{IN}$ ) in boost designs reduces the current peaks drawn from the input supply and reduces noise injection. The value of  $C_{IN}$  is largely determined by the source impedance of the input supply. High source impedance requires high input capacitance, particularly as the input voltage falls. Since step-up DC-DC converters act as "constant-power" loads to their input supply, input current rises as input voltage falls. A good starting point is to use the same capacitance value for  $C_{IN}$  as for  $C_{OUT}$ . Table 1 lists suggested component suppliers.

### Integrator Capacitor

The MAX1748 contains an internal current integrator that improves the DC load regulation but increases the peak-to-peak transient voltage (see the load-transient waveforms in the *Typical Operating Characteristics*). For highly accurate DC load regulation, enable the current integrator by connecting a 470pF capacitor to INTG. To minimize the peak-to-peak transient voltage at the expense of DC regulation, disable the integrator by connecting INTG to REF and adding a 100k $\Omega$  resistor to GND.

### Rectifier Diode

Use a Schottky diode with an average current rating equal to or greater than the peak inductor current, and a voltage rating at least 1.5 times the main output voltage ( $V_{MAIN}$ ).

### Charge Pump

#### Efficiency Considerations

The efficiency characteristics of the MAX1748 regulated charge pumps are similar to a linear regulator. They are dominated by quiescent current at low output currents and by the input voltage at higher output currents (see *Typical Operating Characteristics*). So the maximum efficiency may be approximated by:

$$\text{Efficiency} \cong V_{NEG} / [V_{IN} \times N];$$

for the negative charge pump

$$\text{Efficiency} \cong V_{POS} / [V_{IN} \times (N + 1)];$$

for the positive charge pump

where N is the number of charge-pump stages.

### Output Voltage Selection

Adjust the positive output voltage by connecting a voltage-divider from the output ( $V_{POS}$ ) to FBP to GND (see *Typical Operating Circuit*). Adjust the negative output

**Table 1. Component Suppliers**

SUPPLIER	PHONE	FAX
<b>INDUCTORS</b>		
Coilcraft	847-639-6400	847-639-1469
Coiltronics	561-241-7876	561-241-9339
Sumida USA	847-956-0666	847-956-0702
Toko	847-297-0070	847-699-1194
<b>CAPACITORS</b>		
AVX	803-946-0690	803-626-3123
Kemet	408-986-0424	408-986-1442
Sanyo	619-661-6835	619-661-1055
Taiyo Yuden	408-573-4150	408-573-4159
<b>DIODES</b>		
Central Semiconductor	516-435-1110	516-435-1824
International Rectifier	310-322-3331	310-322-3332
Motorola	602-303-5454	602-994-6430
Nihon	847-843-7500	847-843-2798
Zetex	516-543-7100	516-864-7630

# Triple-Output TFT LCD DC-DC Converter

voltage by connecting a voltage-divider from the output ( $V_{NEG}$ ) to FBN to REF. Select R4 and R6 in the 50k $\Omega$  to 100k $\Omega$  range. Higher resistor values improve efficiency at low output current but increase output voltage error due to the feedback input bias current. Calculate the remaining resistors with the following equations:

$$R3 = R4 [(V_{POS} / V_{REF}) - 1]$$

$$R5 = R6 (V_{NEG} / V_{REF})$$

where  $V_{REF} = 1.25V$ .  $V_{POS}$  may range from  $V_{SUPP}$  to 40V, and  $V_{NEG}$  may range from 0 to -40V.

### Flying Capacitor

Increasing the flying capacitor's value reduces the output current capability. Above a certain point, increasing the capacitance has a negligible effect because the output current capability becomes dominated by the internal switch resistance and the diode impedance. Start with 0.1 $\mu F$  ceramic capacitors. Smaller values may be used for low-current applications.

### Charge-Pump Output Capacitor

Increasing the output capacitance or decreasing the ESR reduces the output ripple voltage and the peak-to-peak transient voltage. Use the following equation to approximate the required capacitor value:

$$C_{OUT} \geq [I_{OUT} / (500kHz \times V_{RIPPLE})]$$

### Charge-Pump Input Capacitor

Use a bypass capacitor with a value equal to or greater than the flying capacitor. Place the capacitor as close to the IC as possible. Connect directly to PGND.

### Rectifier Diode

Use Schottky diodes with a current rating equal to or greater than 4 times the average output current, and a voltage rating at least 1.5 times  $V_{SUPP}$  for the positive charge pump and  $V_{SUPN}$  for the negative charge pump.

### PC Board Layout and Grounding

Careful printed circuit layout is extremely important to minimize ground bounce and noise. First, place the main boost converter output diode and output capacitor less than 0.2in (5mm) from the LX and PGND pins with wide traces and no vias. Then place 0.1 $\mu F$  ceramic bypass capacitors near the charge-pump input pins (SUPP and SUPN) to the PGND pin. Keep the charge-pump circuitry as close to the IC as possible, using wide traces and avoiding vias when possible. Locate all feedback resistive dividers as close to their respective feedback pins as possible. The PC board should feature separate GND and PGND areas connected at only one point under the IC. To maximize output power and efficiency and to minimize output power ripple voltage, use extra wide power ground traces and solder the IC's power ground pin directly to it. Avoid having sensitive traces near the switching nodes and high-current lines.

Refer to the MAX1748 evaluation kit for an example of proper board layout.

## Applications Information

### Boost Converter Using a Cascoded MOSFET

For applications that require output voltages greater than 13V, cascode an external N-channel MOSFET (Figure 4). Place the MOSFET as close to the LX pin as possible. Connect the gate to the input voltage ( $V_{IN}$ ) and the source to LX.

### MOSFET Selection

Choose a MOSFET with an on-resistance ( $R_{DS(ON)}$ ) lower than the internal N-channel MOSFET. Lower  $R_{DS(ON)}$  will improve efficiency. The external N-channel MOSFET must have a drain-voltage rating higher than the main output voltage ( $V_{MAIN}$ ).

## Chip Information

TRANSISTOR COUNT: 2846

# Triple-Output TFT LCD DC-DC Converter

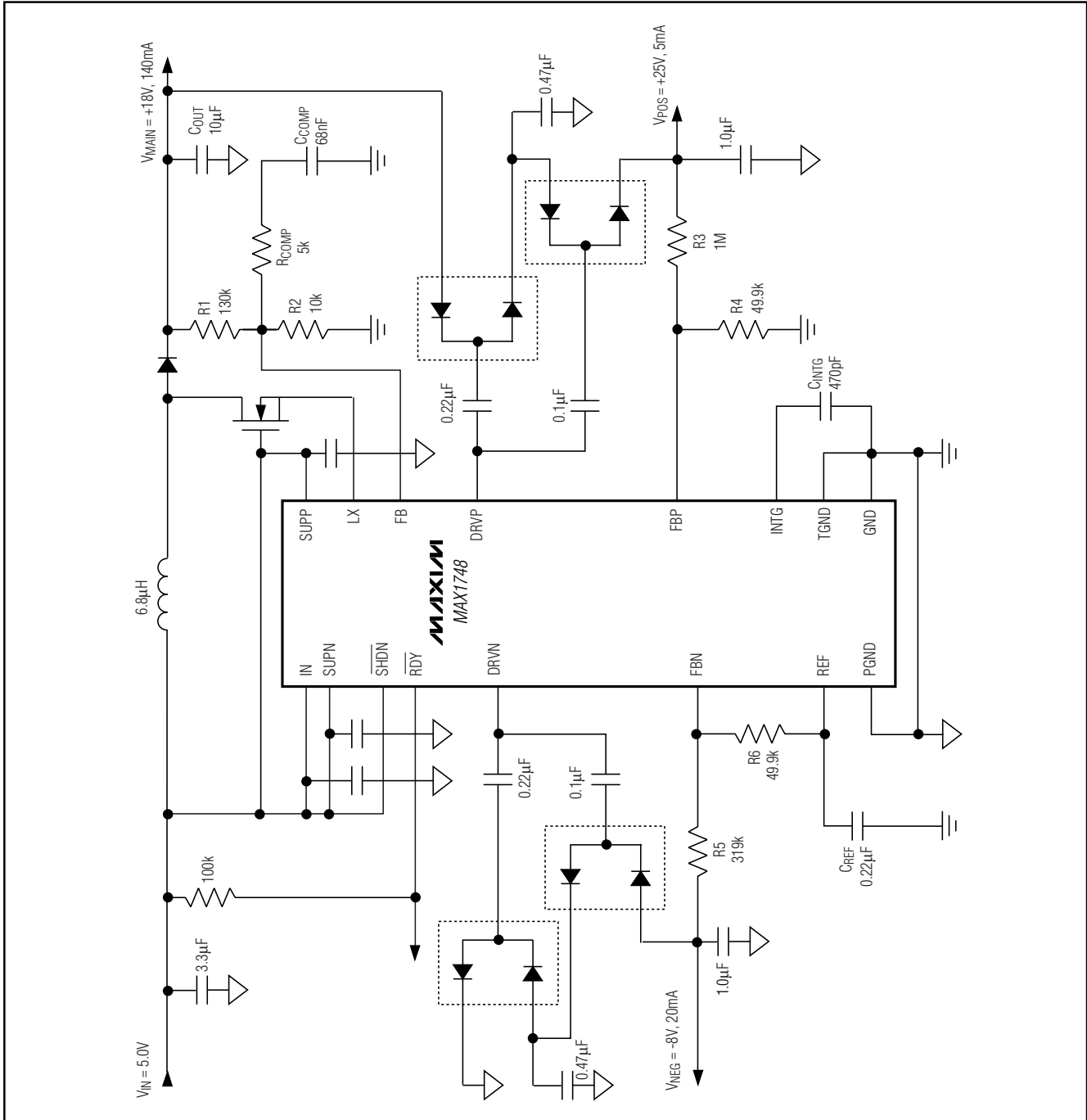
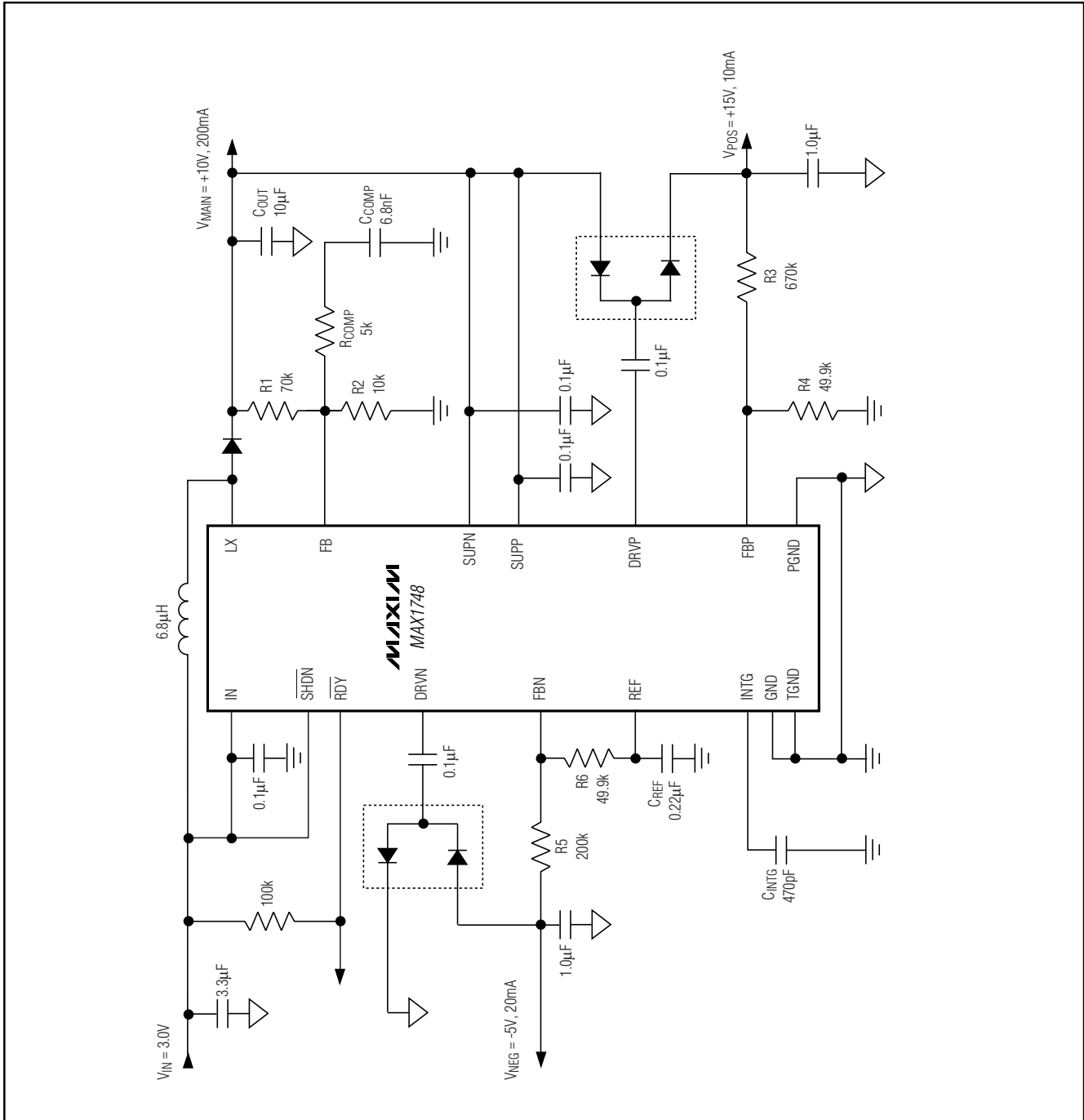


Figure 4. Power Supply Using Cascoded MOSFET

# Triple-Output TFT LCD DC-DC Converter

## Typical Operating Circuit

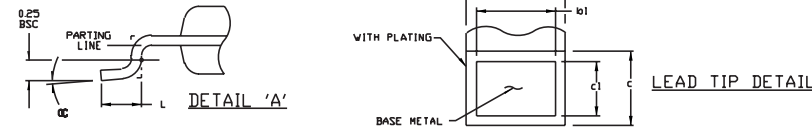
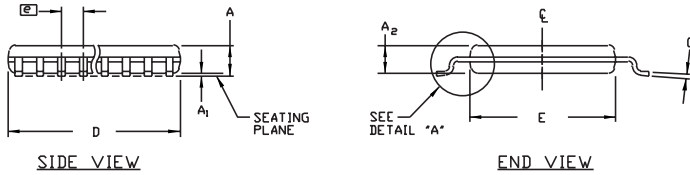
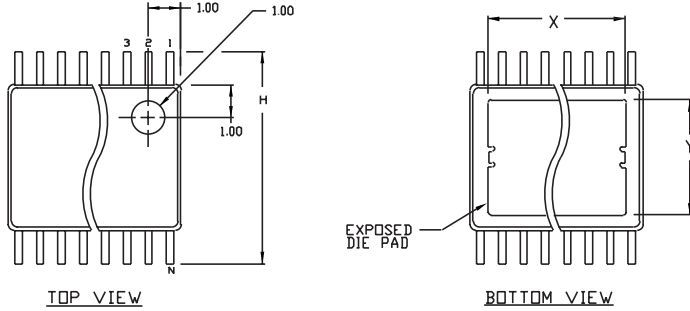
**MAX1748**



# Triple-Output TFT LCD DC-DC Converter

## Package Information

TSSOP-EP8



SYMBOL	COMMON DIMENSIONS			
	MILLIMETERS		INCHES	
A	MIN.	MAX.	MIN.	MAX.
A	1.10		.043	
A <sub>1</sub>	0.05	0.15	.002	.006
A <sub>2</sub>	0.85	0.95	.033	.037
b	0.19	0.30	.007	.012
b <sub>1</sub>	0.19	0.25	.007	.010
c	0.090	0.20	.0035	.008
c <sub>1</sub>	0.090	0.135	.0035	.0053
D	SEE VARIATIONS		SEE VARIATIONS	
E	4.30	4.50	.169	.177
e	0.65 BSC		.026 BSC	
H	6.25	6.50	.246	.256
L	0.50	0.70	.020	.028
N	SEE VARIATIONS		SEE VARIATIONS	
Y	2.85	3.15	.112	.124
α	0°	8°	0°	8°

JEDEC	MO-153	N	VARIATIONS			
			MILLIMETERS		INCHES	
			MIN.	MAX.	MIN.	MAX.
AB	14	D	4.90	5.10	.193	.201
AC	16	D	4.90	5.10	.193	.201
AC-EP	16	D	4.90	5.10	.193	.201
		X	2.85	3.15	.112	.124
AD	20	D	6.40	6.60	.252	.260
AD-EP	20	D	6.40	6.60	.252	.260
		X	4.00	4.34	.157	.171
AE	24	D	7.70	7.90	.303	.311
AF	28	D	9.60	9.80	.378	.386
AF-EP		D	9.60	9.80	.378	.386
		X	5.35	5.65	.211	.222

- NOTES:
1. DIMENSIONS D AND E DO NOT INCLUDE FLASH.
  2. MOLD FLASH OR PROTRUSIONS NOT TO EXCEED .15 mm PER SIDE.
  3. CONTROLLING DIMENSION: MILLIMETER.
  4. MEETS JEDEC OUTLINE MO-153 VARIATIONS AB, AC, AD, AE, AF.
  5. DIMENSIONS X AND Y APPLY TO EXPOSED PAD (EP) VERSIONS ONLY.
  6. EXPOSED PAD FLUSH WITH BOTTOM OF PACKAGE WITHIN .002".

**MAXIM**

PROPRIETARY INFORMATION

TITLE: PACKAGE OUTLINE, TSSOP, 4.40mm BODY, 0.65mm PITCH

APPROVAL	DOCUMENT CONTROL NO.	REV
	21-0066	C 1/1

Maxim cannot assume responsibility for use of any circuitry other than circuitry entirely embodied in a Maxim product. No circuit patent licenses are implied. Maxim reserves the right to change the circuitry and specifications without notice at any time.

16 **Maxim Integrated Products, 120 San Gabriel Drive, Sunnyvale, CA 94086 408-737-7600**