

IR3Y30M/M1

CCD Signal Processors for
B/W CCD Cameras

DESCRIPTION

The IR3Y30M/M1 are bipolar single-chip signal processing ICs with built-in low-pass filter and delay line for B/W video cameras. They realize both downsizing and cost reduction of the finished set.

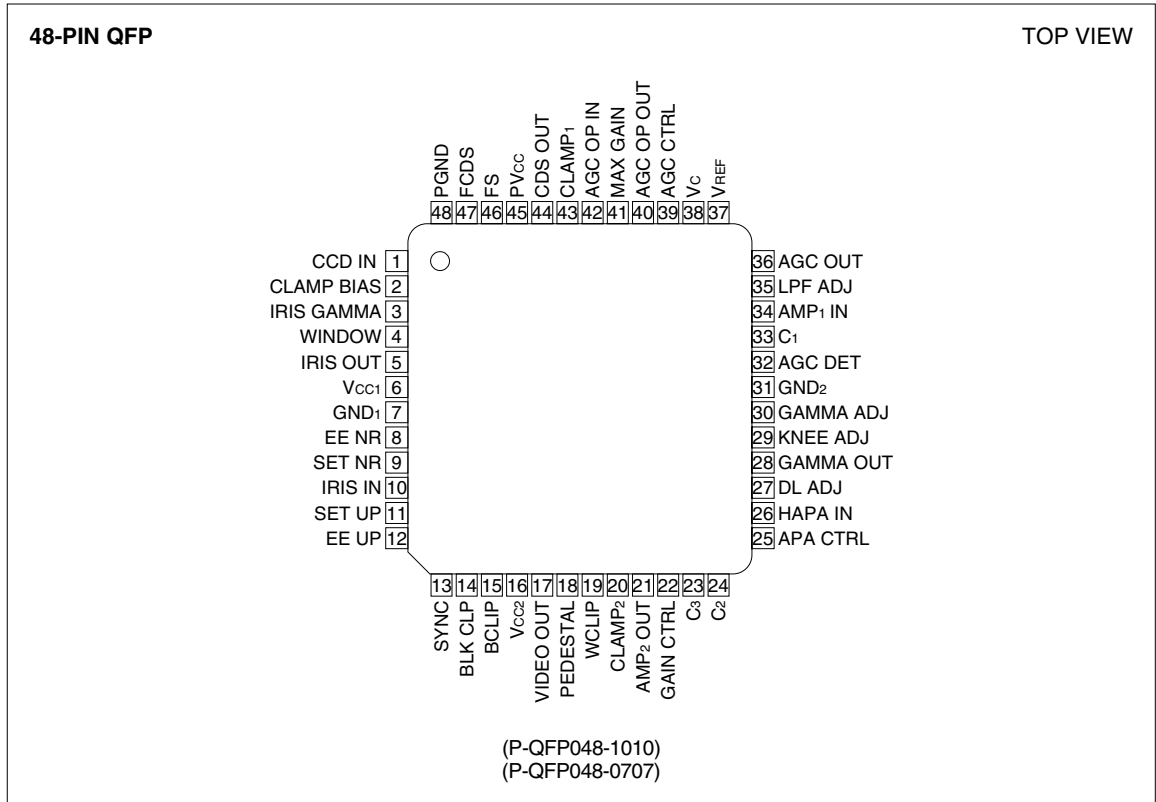
FEATURES

- Low power consumption : 265 mW (TYP.)
 - Wide AGC range : -3 to +29 dB
 - High speed sample-and-hold circuits :
pulse width 15 ns (MIN.)
 - Signal processing from CCD output to 75 Ω video output is possible
 - Built-in low-pass filter
 - Built-in comparator for electronic exposure control
 - Built-in aperture circuit and delay line
 - Single +5 V power supply
 - Packages
 - IR3Y30M : 48-pin QFP (P-QFP048-1010)
 - IR3Y30M1 : 48-pin QFP (P-QFP048-0707)
- 0.5 mm pin-pitch

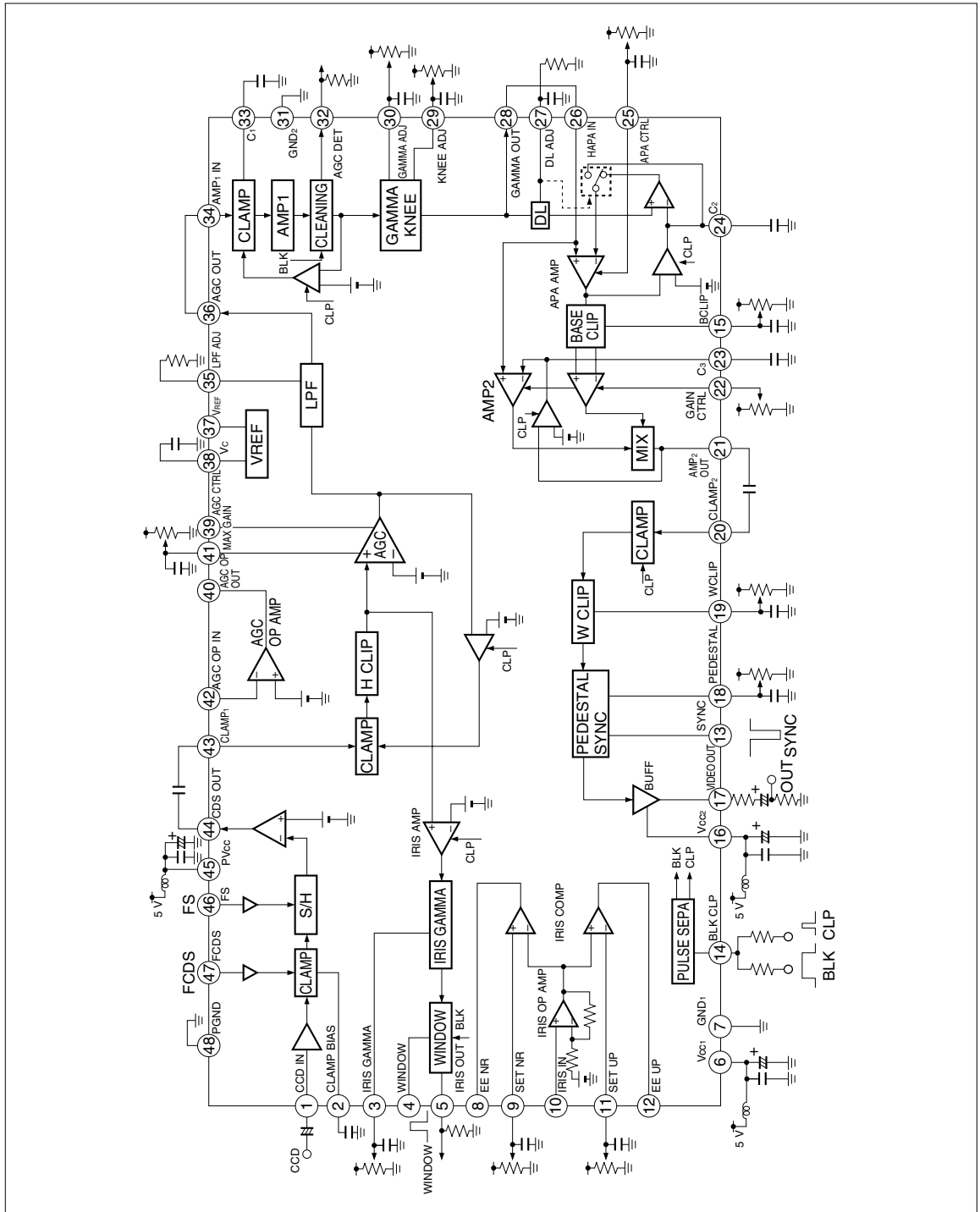
COMPARISON TABLE

	IR3Y30M	IR3Y30M1
Package	48-pin QFP (P-QFP048-1010)	48-pin QFP (P-QFP048-0707)
Power consumption	725 mW	560 mW
P_D derating ratio	5.8 mW/ $^{\circ}$ C	4.5 mW/ $^{\circ}$ C
Operating temperature	-30 to +75 $^{\circ}$ C	-30 to +70 $^{\circ}$ C

PIN CONNECTIONS



BLOCK DIAGRAM



PIN DESCRIPTION

PIN NO.	SYMBOL	VOLTAGE	EQUIVALENT CIRCUIT	DESCRIPTION
1	CCDIN	2.5 V		Input for the signal from CCD area sensor. 2.5 V bias applied internally.
2	CLAMP BIAS	2.9 V		Feed through level of the input signal is clamped to this pin voltage. 2.9 V bias applied internally. Connect capacitor between this pin and GND.
3	IRIS GAMMA	3.1 V		Gamma adjustment of the exposure circuit. This pin is preset to 3.1 V, and gamma becomes 0.45 at open.
4	WINDOW			Window pulse input for the exposure circuit. Outputs the signal while "H".
5	IRIS OUT	2.3 V		Output for the exposure signal. Connect a resistor between this pin and GND.

PIN NO.	SYMBOL	VOLTAGE	EQUIVALENT CIRCUIT	DESCRIPTION
6	VCC1			Power supply for analog circuits.
7	GND1			Ground for analog circuits.
8	EE NR			Comparator output for electronic exposure control.
9	SET NR			High reference voltage input of the comparator for electronic exposure control.
10	IRIS IN			Input of the amplifier for electronic exposure control. This amplifier has 5 times gain.
11	SET UP			Low reference voltage input of the comparator for electronic exposure control.
12	EE UP			Output of the comparator for electronic exposure control.
13	SYNC			Synchronous signal input.

PIN NO.	SYMBOL	VOLTAGE	EQUIVALENT CIRCUIT	DESCRIPTION
14	BLK CLP			Composite pulse input. (pulse for optical black clamp and pulse for blanking)
15	BCLIP			Adjustment for the base clip level in the aperture circuit. Eliminates the low-level noise of aperture signal. Base clip is canceled at open.
16	Vcc2			Power supply for output amplifier circuits.
17	VIDEO OUT	1.5 V		Video signal output. At 75 Ω terminated : 1 Vp-p (Synchronous level 0.3 Vp-p)
18	PEDESTAL	2.5 V		Blanking level adjustment. 100 mV at open.

PIN NO.	SYMBOL	VOLTAGE	EQUIVALENT CIRCUIT	DESCRIPTION
19	WCLIP	3.3 V		White clip adjustment. 120% at open.
20	CLAMP ₂	2.3 V		Input for encoder circuit. Black level of input signal is clamped to 2.3 V.
21	AMP ₂ OUT	1.0 V		Output for the gain control amplifier.
22	GAIN CTRL	2.5 V		Controls the output amplitude at pin No. 21. Gain is controlled in the range from 6 to 12 dB. It is approximately 10 dB at open.
23	C ₃	1.8 V		Feedback clamp detector. Connect capacitor between this pin and GND.

PIN NO.	SYMBOL	VOLTAGE	EQUIVALENT CIRCUIT	DESCRIPTION
24	C2	1.8 V		Feedback clamp detector. Connect capacitor between this pin and GND. When the external DL circuit is used, this will be input pin to make the aperture signal.
25	APA CTRL	1.8 V		Adjustment for the horizontal aperture amount. It is approximately 12 dB at open.
26	HAPA IN			Input for signal from pin 28. This signal is used as a main signal when aperture signals are mixed.
27	DL ADJ	1.2 V		Adjustment for built-in delay line. When 200 kΩ resistor is connected between this pin and GND, delay line can be turned off.
28	GAMMA OUT	2.3 V		Gamma and knee processed signal output.

PIN NO.	SYMBOL	VOLTAGE	EQUIVALENT CIRCUIT	DESCRIPTION
29	KNEE ADJ	2.8 V		Knee adjustment. 120% at open.
30	GAMMA ADJ	2.0 V		Gamma correction adjustment. 0.7 at open.
31	GND ₂			Ground for analog circuits.
32	AGC DET	2.0 V		Signal output for AGC control. Connect resistor between this pin and GND.
33	C ₁	2.0 V		Feedback clamp detector. Connect capacitor between this pin and GND.
34	AMP ₁ IN			Input for gamma and knee signal process.

PIN NO.	SYMBOL	VOLTAGE	EQUIVALENT CIRCUIT	DESCRIPTION
35	LPF ADJ			Adjustment for built-in LPF characteristic. When connected resistor is 220 kΩ or more between this pin and GND, LPF can be turned off.
36	AGC OUT	2.3 V		AGC signal output.
37	VREF	2.0 V		Reference voltage.
38	Vc	2.0 V		Bias for reference voltage. Connect capacitor between this pin and GND.
39	AGC CTRL			Gain control for AGC amplifier. Be sure to input the voltage within the range from 2 to 4 V.

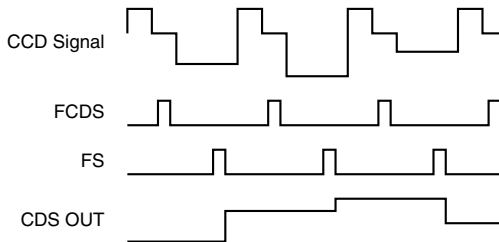
PIN NO.	SYMBOL	VOLTAGE	EQUIVALENT CIRCUIT	DESCRIPTION
40	AGC OP OUT			Output of the operation at amplifier for AGC control.
41	MAX GAIN	3.3 V		Adjustment for AGC amplifier maximum gain. Maximum gain is 18 dB when opened. When applied voltage is 0.62 V or less, AGC circuit turns off and the amplifier is fixed to 0 dB.
42	AGC OP IN			The operational amplifier for AGC control.
43	CLAMP ₁	2.0 V		Input of AGC amplifier. Black level is clamped at 2.0 V.
44	CDS OUT	2.4 V		CDS signal output.

PIN NO.	SYMBOL	VOLTAGE	EQUIVALENT CIRCUIT	DESCRIPTION
45	PVcc			Power supply for pulse circuits.
46	FS			Pulse input for sample-hold.
47	FCDS			Pulse input for feed-through level clamp.
48	PGND			Ground for pulse circuits.

FUNCTIONAL OPERATION

CDS Circuit

The feed-through level of the input signal is clamped by the clamp circuit. Then the signal period is sampled and other periods are held by the sample and hold circuit, so that signals can be obtained.



Highlight Clip Circuit

Before the AGC circuit, excessive signals of more than approximately 0.5 V_{p-p} are clipped.

AGC Amplifier Circuit

The amplitude of output signals from the AGC amplifier is externally detected and the gain is controlled with control signals from the AGC operational amplifier. Decreasing voltage at pin 41 to 0.62 V or less causes the amplifier to be fixed to 0 dB.

LPF Circuit

The characteristics can be controlled with an external resistor at pin 35. Increasing the resistor to 220 k Ω or more allows signals passing over the LPF to be output.

Gamma and Knee Corrections Circuits

In order to comply with the characteristics of CRT, the high-bright part is suppressed. Pin 29 and 30 can be used to control this suppression. If voltage at pin 30 is increased to 4 V or more gamma will be 1.

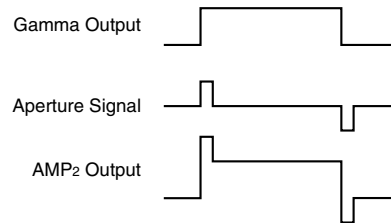
Exposure Circuit

Signals which have not been processed by AGC are amplified, suppressed by gamma correction, and then output. Control signals can be generated by inputting the above signals to pin 10 after detecting them.

Aperture Circuit

The video articulation can be increased by enhancing the signal contour. If the built-in delay line is not used, it can be turned off by using an external resistor of minimum 200 k Ω at pin 27.

To control the aperture amount, use a base clip.



Output Circuit

A load of 75 Ω can be driven directly. In addition, the pedestal level can be controlled vertically.

CAUTIONS

- To control the aperture amount, apply base clip by controlling pin 15.
- Avoid connecting or disconnecting an external resistor at pin 27 to prevent the malfunction of the built-in delay line.
- Use the shortest possible distance to connect the bypass capacitors between the power supply and GND pins. The addition or removal of any external component should be determined by how the existing components are mounted.
- This device is electronically sensitive. Handle only at electrostatically safe work stations.

ABSOLUTE MAXIMUM RATINGS(Unless otherwise specified, $T_A = +25^{\circ}\text{C}$)

PARAMETER	SYMBOL	CONDITIONS	RATING		UNIT
			IR3Y30M	IR3Y30M1	
Supply voltage	VCC1, VCC2		7		V
	PVCC		7		V
Input voltage	VIA	Except for pins 46 (FS) and 47 (FCDS)	Vcc		V
	VIP	Pins 46 (FS) and 47 (FCDS)	-0.2 to PVcc + 0.2		V
Comparator output voltage	VSD		Vcc		V
Power consumption	Pd	$T_A \leq +25^{\circ}\text{C}$	725	560	mW
Pd derating ratio		$T_A > +25^{\circ}\text{C}$	5.8	4.5	mW/ $^{\circ}\text{C}$
Operating temperature	TOPR		-30 to +75	-30 to +70	$^{\circ}\text{C}$
Storage temperature	TSTG		-55 to +150		$^{\circ}\text{C}$

RECOMMENDED OPERATING CONDITIONS

PARAMETER	SYMBOL	APPLICABLE PINS	RATING	UNIT
Supply voltage	VCC	Pins 6 (VCC1), 16 (VCC2) and 45 (PVCC)	4.75 to 5.25	V
H-aperture signal	VH-AP	Pin 26 (HAPA IN)	600 (MAX.)	mVp-p
Standard CCD input signal	VCCD	Pin 1 (CCD IN)	200 (TYP.)	mVp-p
Clamp pulse width	tFS	Pin 46 (FS)	15 (MIN.)	ns
Sample-hold pulse width	tFCDS	Pin 47 (FCDS)	15 (MIN.)	ns

ELECTRICAL CHARACTERISTICS

(Unless otherwise specified, $T_A = +25^\circ\text{C}$, $V_{CC} = 5.0\text{ V}$, SW conditions \rightarrow (a), $V_{26} = 2.3\text{ V}$, $V_{34} = 2.0\text{ V}$, $V_{39} = 3\text{ V}$, $R_{27} = 30\text{ k}\Omega$, $R_{35} = 22\text{ k}\Omega$)

PARAMETER	SYMBOL	CONDITIONS	MIN.	TYP.	MAX.	UNIT	
Supply current	ICC1	Measure pin 6 (V_{CC1}).		43.0	54.5	mA	
	ICC2	Measure pin 16 (V_{CC2}).		5.7	7.8	mA	
	ICC3	Measure pin 45 (PV_{CC}).		4.3	5.4	mA	
CDS Circuit							
Low frequency attenuation	GLF	With signal 1 applied to SG1, measure the signal attenuation on TP44. FS = 5 V, FCDS = Signal 2 (FCDS), $V_A = \text{TP44 amplitude (f = 100 kHz)}$, $V_B = \text{TP44 amplitude (f = 10 MHz)}$ $GLF = 20 * \text{LOG}(V_A/V_B)$		-30	-25	dB	
Gain	GCDS	Signal 2 applied to SG1, FS and FCDS, measure the amplitude on TP44. SG1 = 200 mVp-p, f = 10 MHz	-2	0	2	dB	
Clamp bias	VCP/BIAS		2.7	2.9	3.1	V	
AGC Operational Amplifier Circuit							
Low level	AOPL	Measure the voltage on TP40B. SW40, SW42 \rightarrow (b)		$V_{42} = 3\text{ V}$, $I_{40} = +200\text{ }\mu\text{A}$	1.0	1.2	V
High level	AOPH			$V_{42} = 1\text{ V}$, $I_{40} = -200\text{ }\mu\text{A}$	3.9	4.1	
Exposure Operational Amplifier & Comparator Circuits							
Operational amplifier gain	GOP	With $V_{10} = 2.3\text{ V}$, measure the voltage of V_{9a} (TP8 : L \rightarrow H) and V_{11a} (TP12 : H \rightarrow L). With $V_{10} = 2.4\text{ V}$, measure the voltage of V_{9b} (TP8 : L \rightarrow H) and V_{11b} (TP12 : H \rightarrow L). $GOP = (V_{9b} - V_{9a})$ or $(V_{11b} - V_{11a})$ SW9, SW10, SW11 \rightarrow (b)	0.40	0.46	0.51	V	
Comparator low level	IOPL	Change the voltage of V_9 and V_{11} , and measure the voltage on TP8 and TP12. $V_{10} = 2.3\text{ V}$ SW9, SW10, SW11 \rightarrow (b)		0	0.2	V	
High level	IOPH			4.70	4.95		
AGC Circuit							
Highlight clip level	HCL	Change the amplitude of signal 3 which is applied to SG43, and measure the amplitude on TP36 when TP36's output signal is clipped. SW43, SW41 \rightarrow (b), Pulse \rightarrow CLP, $V_{41} = 0\text{ V}$, $R_{35} = 220\text{ k}\Omega$	0.4	0.5	0.6	Vp-p	

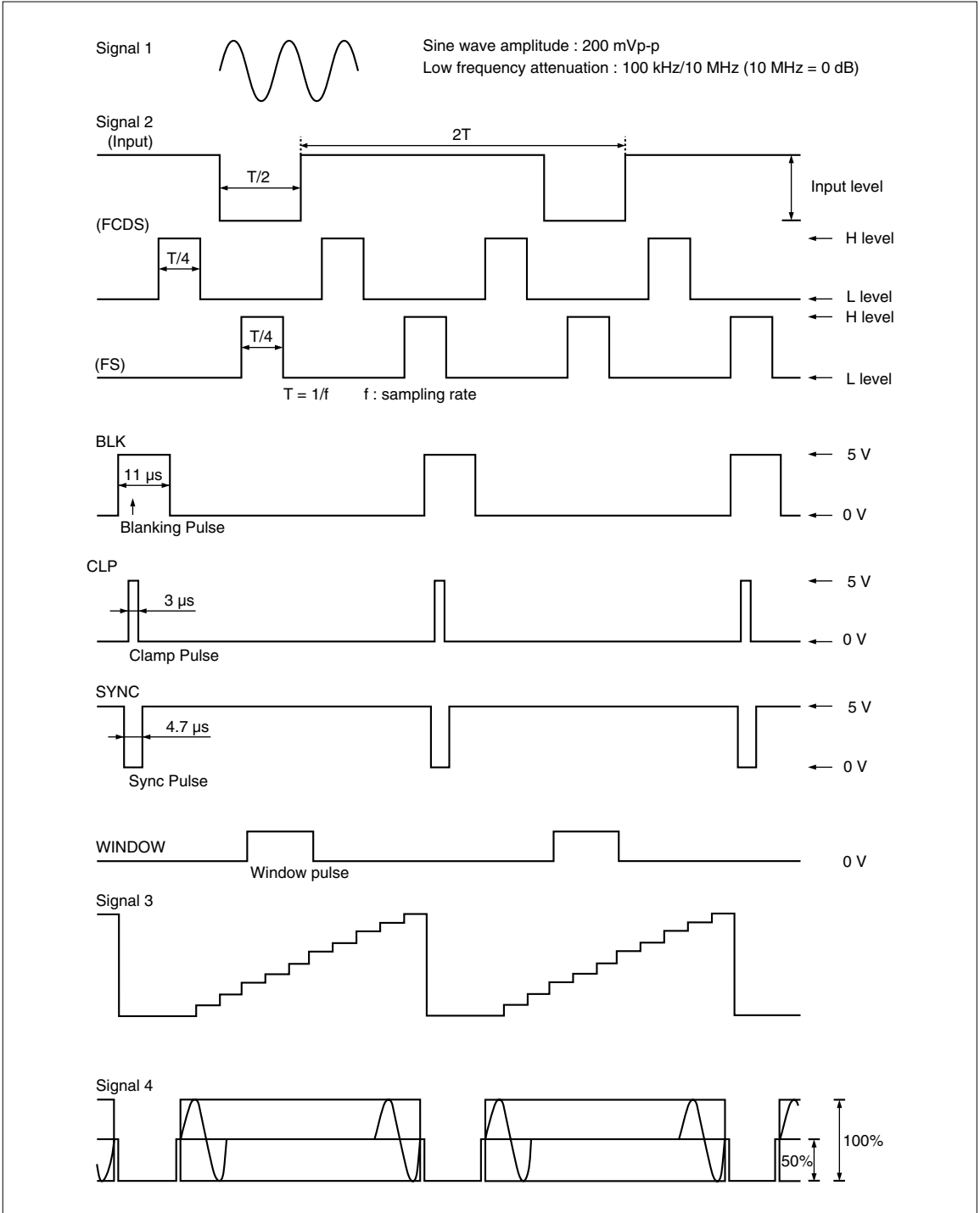
PARAMETER	SYMBOL	CONDITIONS		MIN.	TYP.	MAX.	UNIT
AGC circuit (contd.)							
AGC maximum gain (1)	GAMAX1	Apply signal 3 to SG43 and measure the amplitude on TP36. GA1 to GA4 = 20*LOG (TP36 amplitude/SG43 amplitude) SW41, SW43→(b), Pulse→CLP, R35 = 220 kΩ	SG43 = 20 mVp-p V ₃₉ = 4 V, V ₄₁ = 5 V	27	29	31	dB
AGC maximum gain (2)	GAMAX2		SG43 = 20 mVp-p V ₃₉ = 4 V, SW41→(a)	15.5	18.0	20.5	
AGC minimum gain	GAMIN		SG43 = 400 mVp-p V ₃₉ = 2 V, V ₄₁ = 5 V	-6.5	-3.5	-0.5	
AGCOFF gain	GAOFF		SG43 = 200 mVp-p V ₃₉ = 4 V, V ₄₁ = 0 V	-2	0	2	
Output dynamic range	DA	Apply signal 3 to SG43 and measure the amplitude on TP36. SG43 = 50 mVp-p, SW41, SW43→(b), Pulse→CLP, V ₃₉ = 4 V, V ₄₁ = 5 V, R35 = 220 kΩ	0.55	0.75			Vp-p
Frequency characteristic (1)	f _{A1}	Apply signal 4 to SG43. Increase the frequency of signal 4 until the frequency components of the signal on TP36 are 3 dB lower than that at f = 100 kHz, and measure the frequency of signal 4. SW41→(b), Pulse→CLP, V ₄₁ = 5 V When measuring case (2), adjust the V ₃₉ such that the amplitude of the output on TP36 is 200 mVp-p.	SG43 = 10 mVp-p R35 = 22 kΩ V ₃₉ = 4 V	3.5	4.5		MHz
Frequency characteristic (2)	f _{A2}		SG43 = 200 mVp-p R35 = 220 kΩ	7.0	10.0		
Frequency characteristic (3)	f _{A3}		SG43 = 10 mVp-p R35 = 22 kΩ V ₃₉ = 4 V f = 9.5 MHz		-35	-25	
AGC ON/OFF switching voltage	V _{AGC}	Apply signal 3 to SG43, change V ₄₁ , and measure the voltage of V ₄₁ when the gain on TP36 changes from -3.5 to 0 dB. The gain on TP36 : 20*LOG (TP36 amplitude/SG43 amplitude) SG43 = 400 mVp-p, SW43, SW41→(b), Pulse→CLP, V ₃₉ = 2 V, R35 = 220 kΩ	0.4	0.6	0.8		V
Reference voltage 1	V _{REF}	Measure the voltage on TP37A.	1.84	1.94	2.04		V
Reference voltage 2	ΔV _{REF2}	With I ₃₇ = +500 μA, measure the change in voltage on TP37B. SW37→(b)	0	0.15	0.30		V
Reference voltage 3	ΔV _{REF3}	With I ₃₇ = -500 μA, measure the change in voltage on TP37B. SW37→(b)	-0.30	-0.15	0		V

PARAMETER	SYMBOL	CONDITIONS	MIN.	TYP.	MAX.	UNIT
Exposure Circuit						
Exposure AMP gain	G _I	Apply signal 3 to SG43 and measure the amplitude on TP5.	10.5	11.5	12.5	dB
Gamma output level	γ _{PRE}	TP5.	0.25	0.32	0.40	
Output dynamic range	D _I	SW3, SW4, SW43→(b), Pulse→CLP, BLK	1.5	1.9		Vp-p
Black level	B _I	Measure the voltage on TP5. SW4→(b), Pulse→CLP, BLK, V ₄ = 0 V	2.15	2.30	2.45	V
Black level offset 1	B _{IOFF1}	Measure the voltage on TP5. V ₄ = 5 V	-50	0	50	mV
Black level offset 2	B _{IOFF2}	SW4→(b), Pulse→CLP, BLK, V ₄ = 0 V	-50	0	50	
Frequency characteristic	f _i	Apply signal 4 to SG43. Increase the frequency of signal 4 until the frequency components of the signal on TP5 are 3 dB lower than that at f = 100 kHz, and measure the frequency of signal 4. SG43 = 200 mVp-p, V ₄ = 5 V, SW4, SW43→(b), Pulse→CLP, BLK	0.7	1.1		MHz
Window OFF output level	O _{WOFF}	Apply signal 3 to SG43 and measure the amplitude on TP5. SG43 = 200 mVp-p, SW4, SW43→(b), Pulse→CLP, BLK, V ₄ = 0 V		40	70	mVp-p
Window ON switching voltage	V _W	Same as in the window OFF output level measurement. Increase V ₄ , and measure V ₄ when the amplitude of output signal on TP5 is not changed.	1.2	1.4	1.6	V
Window input current	I _W	With V ₄ = 5 V, measure input current on pin 4. SW4→(b)	0.5	1.2	3.0	μA
AMP1 Circuits						
AMP1 gain	G _{AMP1}	Apply signal 3 to SG34 and measure the amplitude on TP32. SW34→(b), Pulse→CLP, BLK, SG34 = 100 mVp-p, Black level = 2 V	13	14	15	dB
Output dynamic range	D _{AMP1}	Same as in the AMP1 gain measurement. Measure output dynamic range on TP32.	1.20	1.40		Vp-p
Black level	B _{AMP1}	Measure the voltage on TP32. Pulse→CLP, BLK	1.9	2.0	2.1	V
Gamma & Knee Circuits						
Gamma gain (1)	G _{γ1}	Apply signal 3 to SG34 and measure the amplitude on TP28. SW34→(b), Pulse→CLP, BLK, Input black level = 2 V	310	410	510	mVp-p
Gamma gain (2)	G _{γ2}	TP28. SW34→(b), Pulse→CLP, BLK, Input black level = 2 V		-6.4		
Gamma gain (3)	G _{γ3}	TP28. SW34→(b), Pulse→CLP, BLK, Input black level = 2 V		1.3		

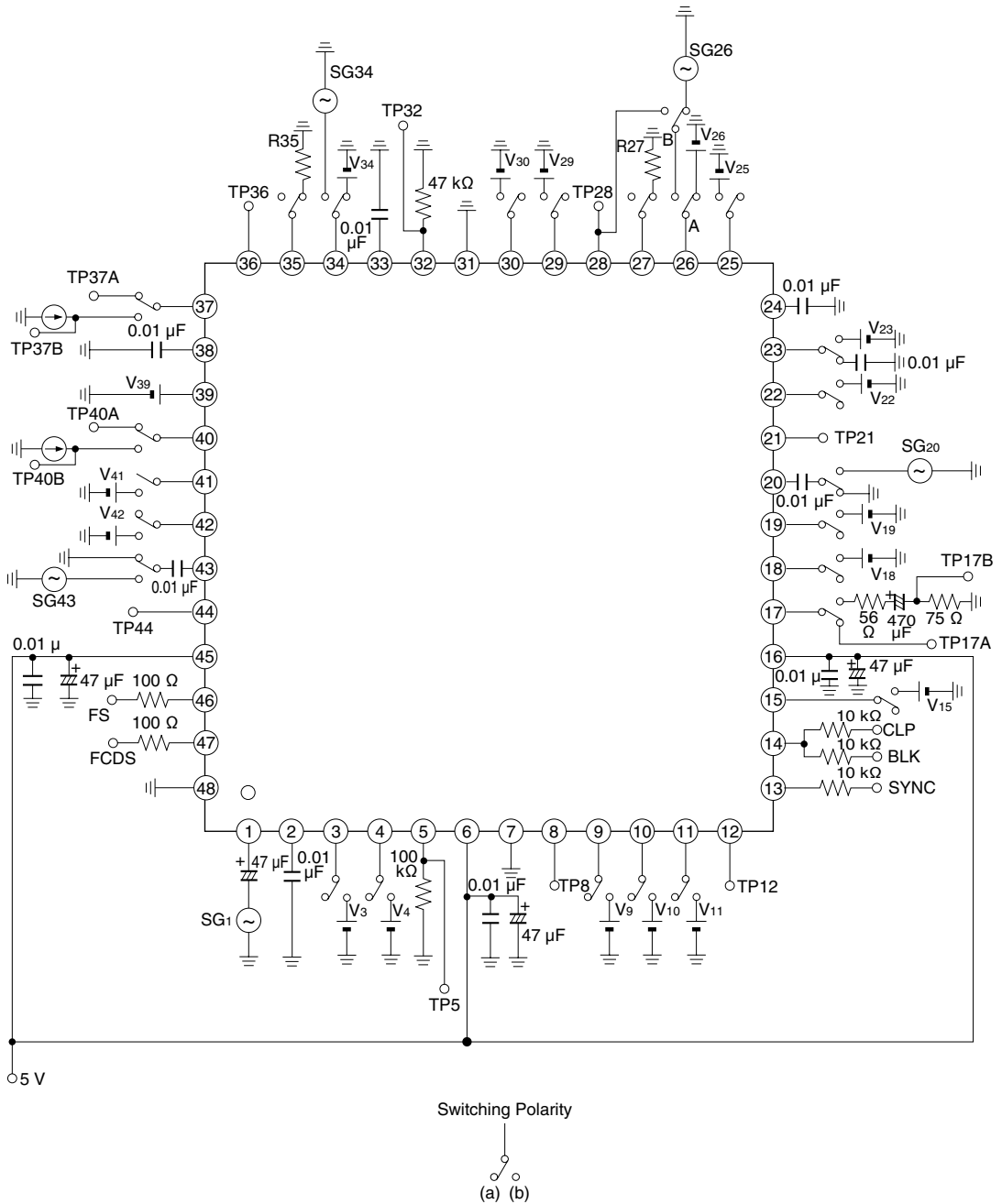
PARAMETER	SYMBOL	CONDITIONS	MIN.	TYP.	MAX.	UNIT	
Gamma & Knee Circuits (contd.)							
Gamma OFF gain	$G_{\gamma OFF}$	Apply signal 3 to SG34 and measure the amplitude on TP28. SW29, SW30, SW34→(b), Pulse→CLP, BLK, SG34 = 100 mVp-p, Black level = 2 V, $V_{29} = 5 V$, $V_{30} = 5 V$	450	510	580	mVp-p	
Cleaning offset	(1) CL1	Measure the amplitude of TP28 between BLK level and	SW30→(a)	-50	0	50	mV
	(2) CL2	black level. Pulse→CLP, BLK	SW30→(b), $V_{30} = 5 V$	-50	0	50	
Frequency characteristic	f_{γ}	Apply signal 4 to SG34. Increase the frequency of signal 4 until the frequency components of the signal on TP28 are 3 dB lower than that at $f = 100$ kHz, and measure the frequency of signal 4. SW34→(b), Pulse→CLP, BLK, SG34 = 100 mVp-p, Black level = 2 V	6.0			MHz	
Aperture & AMP2 Circuits							
Aperture maximum gain	GAPMAX	Apply signal 3 to SG26 and measure the amplitude on TP21. SW26A→(b), Pulse→CLP, BLK, SG26 = 100 mVp-p, Black level = 2.3 V	SW25→(b), $V_{25} = 5 V$	840	1 130	mVp-p	
Aperture preset gain	GAPPRE		740	840	940		
Aperture minimum gain	GAPMIN	SW25→(b), $V_{25} = 0 V$	320	420	520		
Base clip output	BCL	SW15→(b), $V_{15} = 0 V$ SW25→(b), $V_{25} = 5 V$	250	350	450		
Delay line output	DLOUT	Apply signal 3 to SG34 and measure the amplitude on TP21. SW15, SW23, SW25, SW29, SW30, SW34→(b), Pulse→CLP, BLK, SG34 = 50 mVp-p, Black level = 2 V, $V_{15} = V_{25} = V_{29} = V_{30} = 5 V$, $V_{23} = 1.2 V$, $V_{26} = 2.3 V$	1 100	1 700		mVp-p	
AMP2 maximum gain	GAMP2MAX	Apply signal 3 to SG26 and measure the amplitude on TP21. Pulse→CLP, BLK, SW15, SW22, SW25, SW26A→(b), Input black level = 2.3 V, $V_{15} = V_{25} = 0 V$	SG26 = 100 mVp-p, $V_{22} = 5 V$	370	440	510	mVp-p
AMP2 minimum gain	GAMP2MIN		SG26 = 100 mVp-p, $V_{22} = 0 V$	180	230	280	
Output dynamic range	DAMP2		SG26 = 800 mVp-p, $V_{22} = 5 V$	2 000	2 550		
Frequency characteristic	f_{AMP2}	Apply signal 4 to SG26. Increase the frequency of signal 4 until the frequency components of the signal on TP21 are 3 dB lower than that at $f = 100$ kHz, and measure the frequency of signal 4. SW15, SW25, SW26A→(b), $V_{15} = 0 V$, $V_{25} = 0 V$, Pulse→CLP, BLK, SG26 = 100 mVp-p, Black level = 2.3 V	8.0			MHz	

PARAMETER	SYMBOL	CONDITIONS	MIN.	TYP.	MAX.	UNIT	
Encoder Circuit							
White clip (1)	WC1	Apply signal 3 to SG20 and measure the amplitude on TP17A.	SW19→(b), V ₁₉ = 5 V	1.9	2.0	V	
White clip (2)	WC2		SW19→(b), V ₁₉ = 0 V		0.85		0.95
White clip preset	WCPRE		SW20→(b), Pulse→CLP, BLK	SW19→(a)	1.75		1.85
Setup (1)	SUP1	Measure the amplitude of TP17A between BLK level and black level.	SW18→(b), V ₁₈ = 5 V	230	280	mV	
Setup (2)	SUP2		SW18→(b), V ₁₈ = 0 V		-310		-260
Setup preset	SUPPRE		Pulse→CLP, BLK	SW18→(a)	-150		-100
SYNC level	V _{SYNC}	Measure the amplitude of TP17A between SYNC level and black level. Pulse→CLP, BLK, SYNC		530	580	630	mV
Gain	G _{OUT}	Apply signal 3 to SG20 and measure the amplitude on TP17A. SW20→(b), Pulse→CLP, BLK, SG20 = 1 V _{p-p}		-1	0	1	dB
Output dynamic range	D _{OUT}	Apply signal 3 to SG20 and measure the amplitude of TP17A between SYNC level and white level. SW19, SW20→(b), V ₁₉ = 5 V, Pulse→CLP, BLK, SYNC		2.2	2.5		V _{p-p}
Frequency characteristic	f _{OUT}	Apply signal 4 to SG20. Increase the frequency of signal 4 until the frequency components of the signal on TP17B are 3 dB lower than that at f = 100 kHz, and measure the frequency of signal 4. SG20 = 1 V _{p-p} , SW17, SW20→(b), Pulse→CLP, BLK, SYNC		10			MHz
Output voltage	V _{OUT}	Apply signal 3 to SG20 and measure the amplitude of TP17B between SYNC level and white level. SG20 = 1.3 V _{p-p} , SW17, SW20→(b), Pulse→CLP, BLK, SYNC		0.9	1.0		V _{p-p}
Pulse Circuit							
Clamp threshold voltage	V _{FCDS}	Apply voltages to FCDS, FS, SYNC, BLK and CLP and measure the threshold voltage of each circuit.			1.3		V
Sample-hold threshold voltage	V _{FS}				1.5		
Synchronous signal threshold voltage	V _{SYNC}				2.5		
Blanking threshold voltage	V _{BLK}				1.5		
Clamp threshold voltage	V _{CP}				3.5		

Measurement Waveforms



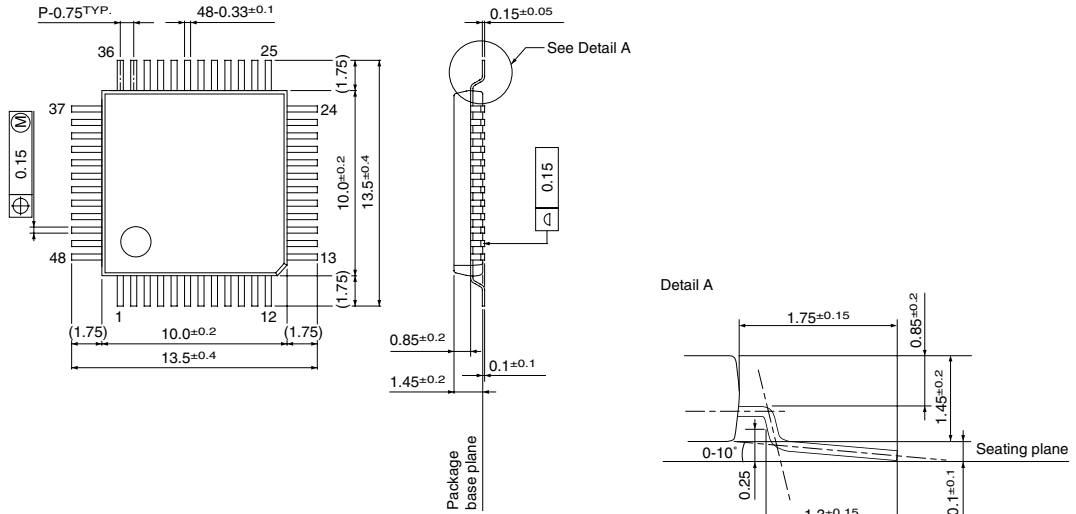
Test Circuit



PACKAGE OUTLINES

48 QFP (P-QFP048-1010)

(Unit : mm)



48 QFP (P-QFP048-0707)

(Unit : mm)

