

325-5955.

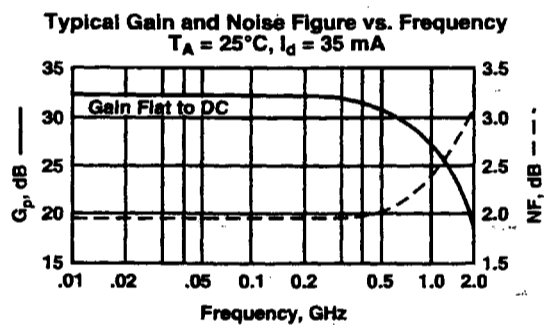
Features

- Cascadable 50 Ω Gain Block
- Low Noise Figure: 2.0 dB Typical at 0.5 GHz
- High Gain: 31 dB Typical at 0.5 GHz
26 dB Typical at 1.5 GHz
- 3 dB Bandwidth: DC to 0.8 GHz
- Unconditionally Stable ($k > 1$)
- Low Cost Plastic Package

Description

The INA-02184 and INA-02186 is a low-noise silicon bipolar Monolithic Microwave Integrated Circuit (MMIC) feedback amplifier housed in low cost plastic packages. They are designed for narrow or wide bandwidth commercial applications that require high gain and low noise IF or RF amplification.

The INA series of MMICs is fabricated using HP's 10 GHz f_T , 25 GHz f_{MAX} , ISOSAT™-I silicon bipolar process which uses nitride self-alignment submicrometer lithography, trench isolation, ion implantation, gold metallization and polyimide intermetal dielectric and scratch protection to achieve excellent performance, uniformity and reliability.

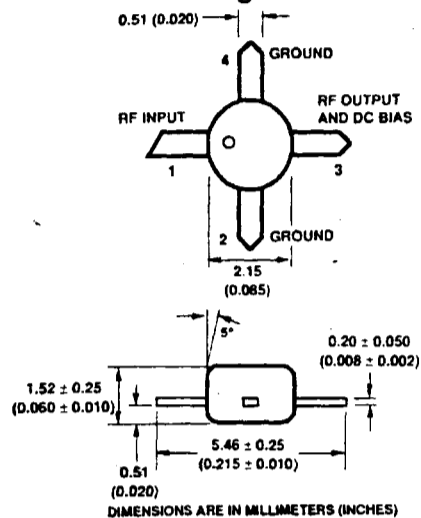


Electrical Specifications¹, $T_A = 25^\circ\text{C}$

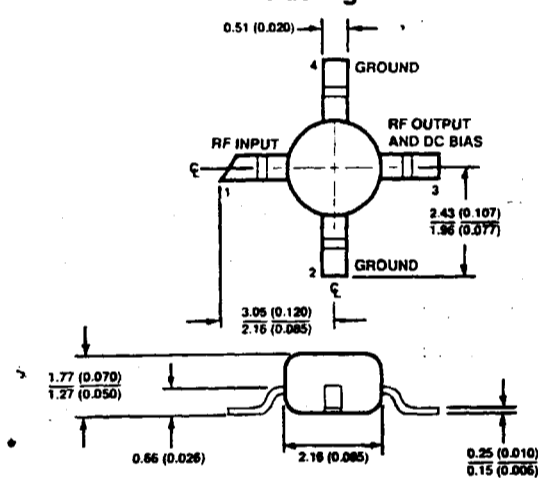
Symbol	Parameters and Test Conditions: $I_d = 35\text{ mA}$, $Z_0 = 50\ \Omega$	Units	INA-02184			INA-02186		
			Min.	Typ.	Max.	Min.	Typ.	Max.
G_p	Power Gain ($ S_{21} ^2$)							
				$f = 0.5\text{ GHz}$				
ΔG_p	Gain Flatness	dB						
				$f = 0.01\text{ to }1.0\text{ GHz}$				
$f_{3\text{ dB}}$	3 dB Bandwidth ²	GHz			0.8			0.8
ISO	Reverse Isolation ($ S_{12} ^2$)	dB			39			39
VSWR	Input VSWR (Max over Freq. Range)				1.5			2.0
	Output VSWR (Max over Freq. Range)				1.7			1.7
NF	50 Ω Noise Figure	dB			2.0			2.0
$P_{1\text{ dB}}$	Output Power at 1 dB Gain Compression	dBm			11			11
IP_3	Third Order Intercept Point	dBm			23			23
t_D	Group Delay	psec			330			350
V_d	Device Voltage	V	4.0	5.5	7.0	4.0	5.5	7.0
dV/dT	Device Voltage Temperature Coefficient	mV/°C		+10			+10	

NOTES: 1. The recommended operating current range for this device is 30 to 40 mA. Typical performance as a function of current is on the following page.
2. Referenced from 10 MHz Gain (G_p).

Package 84



Package 86



**INA-02184, INA-02186 Low Noise Cascadable
Silicon Bipolar MMIC Amplifier**

Absolute Maximum Ratings

Parameter	Absolute Maximum ¹
Device Current	50 mA
Power Dissipation ^{2,3,4}	400 mW
RF Input Power	+13 dBm
Junction Temperature	+150°C
Storage Temperature	-65 to +150°C

Thermal Resistance²: $\theta_{jc} = 90^\circ\text{C/W}$ — INA-02184
 $\theta_{jc} = 100^\circ\text{C/W}$ — INA-02186

Notes:

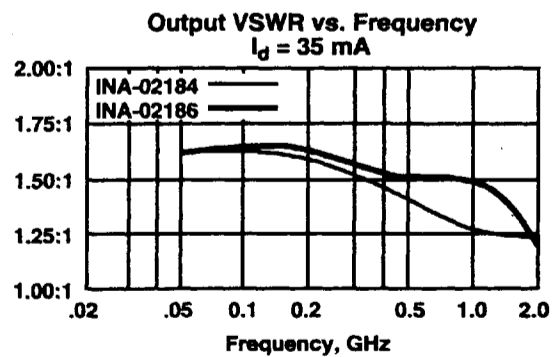
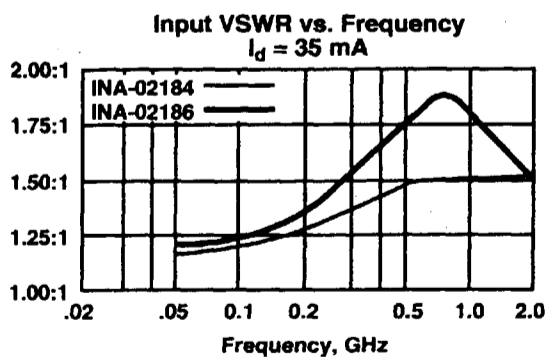
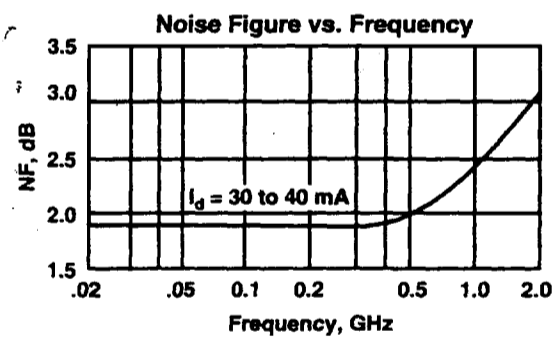
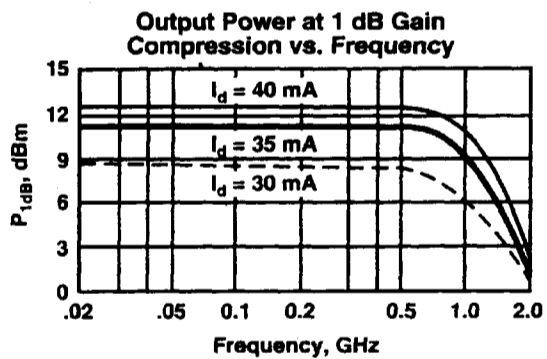
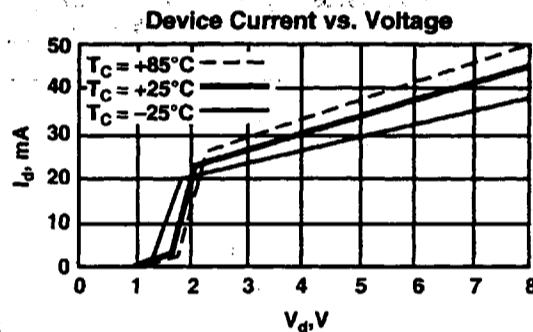
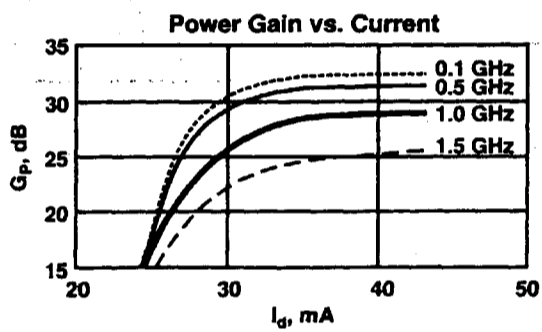
1. Permanent damage may occur if any of these limits are exceeded.
2. $T_{CASE} = 25^\circ\text{C}$.
3. Derate at 11.1 mW/°C for $T_C > 114^\circ\text{C}$ for INA-02184
4. Derate at 10 mW/°C for $T_C > 110^\circ\text{C}$ for INA-02186

Part Number Ordering Information

Part Number	Devices Per Reel	Reel Size
INA-02184-TR1	1000	7"
INA-02184-TR2	4000	13"
INA-02186-TR1	1000	7"
INA-02186-TR2	4000	13"

For more information, see "Tape and Reel Packaging for Semiconductor Devices", page 14-14.

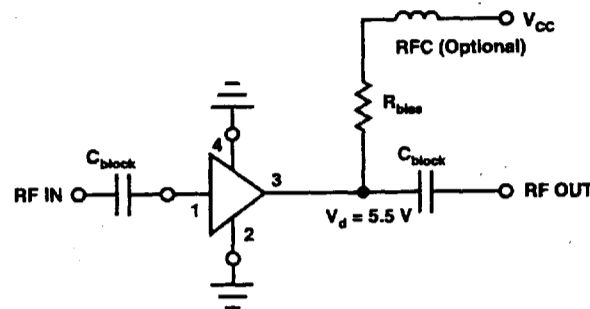
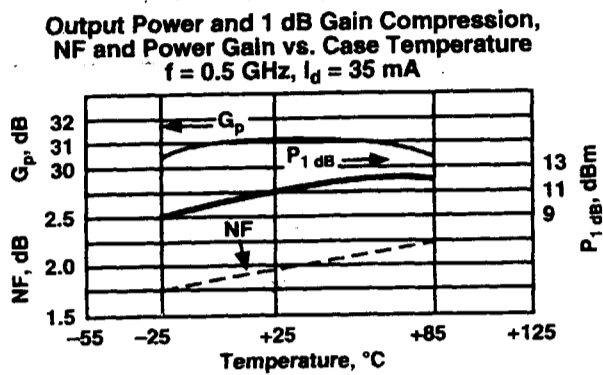
Typical Performance, INA-02184 and INA-02186, $T_A = 25^\circ\text{C}$
(Unless otherwise noted)



INA-02184, INA-02186 Low Noise Cascadable Silicon Bipolar MMIC Amplifier

Typical Performance, INA-02184 and INA-02186,
 $T_A = 25^\circ\text{C}$ (Unless otherwise noted)

Typical Biasing Configuration



Typical INA-02184 Scattering Parameters: $Z_0 = 50\ \Omega$ $T_A = 25^\circ\text{C}, I_d = 35\text{ mA}$

Freq. MHz	S_{11}		S_{21}			S_{12}		S_{22}		k	
	Mag	Ang	dB	Mag	Ang	dB	Mag	Ang			
0.01	.09	-176	31.9	39.33	-1	-40.0	.010	1	.25	-1	1.40
0.05	.09	-171	31.9	39.24	-6	-41.9	.008	-12	.25	-4	1.66
0.10	.10	-163	31.8	39.07	-13	-40.9	.009	1	.25	-8	1.52
0.20	.13	-159	31.7	38.30	-26	-40.0	.010	15	.23	-13	1.44
0.30	.15	-161	31.4	37.30	-39	-38.4	.012	16	.22	-17	1.29
0.40	.18	-168	31.2	36.42	-51	-39.2	.011	32	.21	-15	1.39
0.50	.19	-175	31.0	35.40	-63	-40.0	.010	34	.21	-16	1.52
0.60	.20	-179	30.7	34.20	-75	-37.1	.014	35	.21	-17	1.24
0.80	.19	-166	29.9	31.21	-101	-38.4	.012	38	.24	-26	1.44
1.00	.17	-159	28.4	26.36	-126	-36.5	.015	53	.24	-41	1.40
1.20	.15	-159	26.8	21.89	-149	-34.0	.020	56	.22	-60	1.31
1.40	.15	-163	24.8	17.36	-169	-33.2	.022	62	.18	-78	1.50
1.60	.16	-168	22.6	13.59	-175	-31.4	.027	67	.14	-93	1.50
1.80	.18	-168	20.7	10.86	-161	-31.1	.028	61	.11	-108	1.74
2.00	.19	-165	18.8	8.71	-149	-30.2	.031	64	.08	-125	1.92
2.50	.23	-159	14.9	5.56	-127	-29.1	.035	56	.05	-167	2.54
3.00	.27	-150	11.5	3.76	-106	-27.1	.044	65	.04	-155	2.89
3.50	.30	-143	8.8	2.74	-89	-26.0	.050	57	.04	-137	3.39
4.00	.33	-133	6.6	2.14	-73	-25.0	.056	62	.05	-137	3.78

Typical INA-02186 Scattering Parameters: $Z_0 = 50\ \Omega$ $T_A = 25^\circ\text{C}, I_d = 35\text{ mA}$

Freq. MHz	S_{11}		S_{21}			S_{12}		S_{22}		k	
	Mag	Ang	dB	Mag	Ang	dB	Mag	Ang			
0.01	.09	-178	31.5	37.38	-1	-40.0	.010	1	.24	-1	1.46
0.05	.09	-172	31.5	37.55	-6	-37.7	.013	11	.24	-5	1.22
0.10	.11	-160	31.5	37.46	-13	-39.2	.011	8	.23	-9	1.37
0.20	.14	-153	31.4	37.04	-25	-40.9	.009	15	.22	-17	1.60
0.30	.18	-156	31.3	36.62	-37	-38.4	.012	1	.21	-25	1.30
0.40	.22	-161	31.2	36.20	-49	-37.7	.013	28	.19	-30	1.25
0.50	.25	-169	31.1	35.70	-61	-39.2	.011	42	.18	-35	1.40
0.60	.28	-177	30.9	34.94	-74	-38.4	.012	44	.16	-39	1.33
0.80	.31	-165	30.2	32.34	-101	-36.5	.015	52	.15	-47	1.20
1.00	.30	-148	28.8	27.64	-129	-34.4	.019	57	.12	-59	1.15
1.20	.27	-135	27.0	22.26	-153	-32.4	.024	62	.09	-70	1.15
1.40	.24	-129	24.7	17.22	-173	-31.1	.028	61	.07	-80	1.23
1.60	.21	-128	22.5	13.27	-170	-31.4	.027	62	.04	-82	1.52
1.80	.20	-129	20.4	10.42	-156	-29.1	.035	61	.02	-83	1.50
2.00	.20	-131	18.4	8.34	-144	-29.1	.035	63	.01	-20	1.79
2.50	.23	-133	14.5	5.29	-123	-27.1	.044	59	.02	30	2.15
3.00	.27	-130	11.2	3.61	-103	-25.7	.052	63	.02	27	2.56
3.50	.31	-124	8.3	2.60	-86	-24.4	.060	64	.02	34	2.97
4.00	.34	-118	6.1	2.02	-70	-23.4	.068	58	.01	30	3.28