



# CY74FCT16240T CY74FCT162240T

## 16-Bit Buffers/Line Drivers

### Features

- Low power, pin compatible replacement for ABT functions
- FCT-C speed at 4.3 ns
- Power-off disable outputs permits live insertion
- Edge rate control circuitry for significantly improved noise characteristics
- Typical output skew < 250 ps
- ESD > 2000 V
- TSSOP (19.6-mil pitch) and SSOP (25-mil pitch) packages
- Extended commercial range of -40°C to +85°C
- $V_{CC} = 5V \pm 10\%$

### CY74FCT16240T Features:

- 64 mA sink current (Com'1), 32 mA source current (Com'1)
- Typical  $V_{OLP}$  (ground bounce) < 1.0V at  $V_{CC} = 5V, T_A = 25^\circ C$

### CY74FCT162240T Features:

- Balanced output drivers: 24 mA
- Reduced system switching noise
- Typical  $V_{OLP}$  (ground bounce) < 0.6V at  $V_{CC} = 5V, T_A = 25^\circ C$

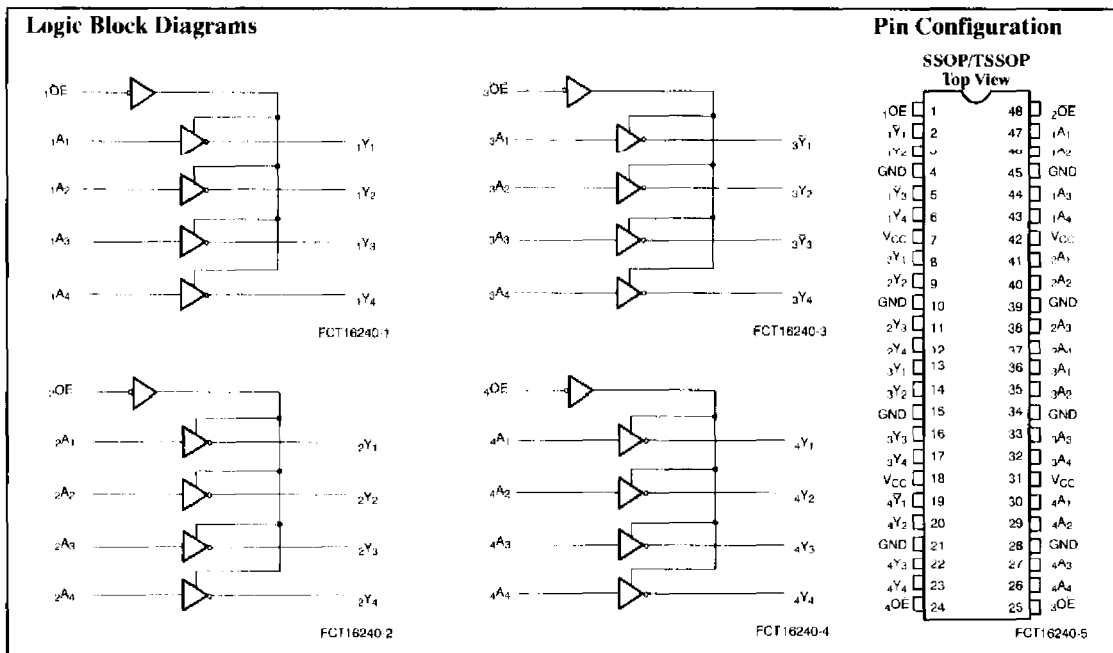
### Functional Description

These 16-bit buffer/line drivers are used in memory driver, clock driver, or other bus interface applications, where high speed and low power are required. With flow-through

pinout and small shrink packaging, board layout is simplified. The three-state controls are designed to allow 4-, 8-, or 16-bit operation. The outputs are designed with a power-off disable feature to allow for live insertion of boards.

The CY74FCT16240T is ideally suited for driving high capacitance loads and low-impedance backplanes.

The CY74FCT162240T has 24-mA balanced output drivers with current limiting resistors in the outputs. This reduces the need for external terminating resistors and provides for minimal undershoot and reduced ground bounce. The CY74FCT162240T is ideal for driving transmission lines.



### Pin Summary

Name	Description
OE	Three-State Output Enable Inputs (Active LOW)
A	Data Inputs
Y	Three-State Outputs

### Note:

1. H = HIGH Voltage Level, L = LOW Voltage Level, X = Don't Care, Z = High Impedance.

### Function Table<sup>1)</sup>

Inputs		Outputs
OE	A	Y
L	L	H
L	H	L
H	X	Z



**Maximum Ratings**<sup>2, 3)</sup>

(Above which the useful life may be impaired. For user guidelines, not tested.)

Storage Temperature ..... Com1 -55°C to +125°C  
 Ambient Temperature with  
 Power Applied ..... Com1 -55°C to +125°C  
 DC Input Voltage ..... -0.5V to +7.0V  
 DC Output voltage ..... -0.5V to +7.0V  
 DC Output Current  
 (Maximum Sink Current/Pin) ..... -60 to +120 mA

Power Dissipation ..... 1.0W  
 Static Discharge Voltage ..... >2001V  
 (per MIL-STD-883, Method 3015)

**Operating Range**

Range	Ambient Temperature	V <sub>CC</sub>
Commercial	-40°C to +85°C	5V ± 10%

**Electrical Characteristics Over the Operating Range**

Parameter	Description	Test Conditions	Min.	Typ. <sup>[4]</sup>	Max.	Unit
V <sub>IH</sub>	Input HIGH Voltage		2.0			V
V <sub>IL</sub>	Input LOW Voltage				0.8	V
V <sub>IH</sub>	Input Hysteresis <sup>[5]</sup>			100		mV
V <sub>IK</sub>	Input Clamp Diode Voltage	V <sub>CC</sub> =Min., I <sub>IN</sub> =-18 mA		-0.7	-1.2	V
I <sub>IH</sub>	Input HIGH Current	V <sub>CC</sub> =Max., V <sub>I</sub> =V <sub>CC</sub>			±1	µA
I <sub>IL</sub>	Input LOW Current	V <sub>CC</sub> =Max., V <sub>I</sub> =GND			±1	µA
I <sub>OZH</sub>	High Impedance Output Current (Three-State Output pins)	V <sub>CC</sub> =Max., V <sub>OUT</sub> =2.7V			±1	µA
I <sub>OZL</sub>	High Impedance Output Current (Three-State Output pins)	V <sub>CC</sub> =Max., V <sub>OUT</sub> =0.5V			±1	µA
I <sub>OS</sub>	Short Circuit Current <sup>[6]</sup>	V <sub>CC</sub> =Max., V <sub>OUT</sub> =GND	-80	-140	-200	mA
I <sub>O</sub>	Output Drive Current <sup>[6]</sup>	V <sub>CC</sub> =Max., V <sub>OUT</sub> =2.5V	-50		-180	mA
I <sub>OFF</sub>	Power-Off Disable	V <sub>CC</sub> =0V, V <sub>OUT</sub> ≤4.5V			±1	µA

**Output Drive Characteristics for CY74FCT16240T**

Parameter	Description	Test Conditions	Min.	Typ. <sup>[4]</sup>	Max.	Unit
V <sub>OIH</sub>	Output HIGH Voltage	V <sub>CC</sub> =Min., I <sub>OIH</sub> =-3 mA	2.5	3.5		V
		V <sub>CC</sub> =Min., I <sub>OIH</sub> =-15 mA	2.4	3.5		V
		V <sub>CC</sub> =Min., I <sub>OIH</sub> =-32 mA	2.0	3.0		V
V <sub>OIL</sub>	Output LOW Voltage	V <sub>CC</sub> =Min., I <sub>OIL</sub> =64 mA		0.2	0.55	V

**Output Drive Characteristics for CY74FCT162240T**

Parameter	Description	Test Conditions	Min.	Typ. <sup>[4]</sup>	Max.	Unit
I <sub>ODL</sub>	Output LOW Current <sup>[6]</sup>	V <sub>CC</sub> =5V, V <sub>IN</sub> =V <sub>IH</sub> or V <sub>IL</sub> , V <sub>OUT</sub> =1.5V	60	115	150	mA
I <sub>ODH</sub>	Output HIGH Current <sup>[6]</sup>	V <sub>CC</sub> =5V, V <sub>IN</sub> =V <sub>IH</sub> or V <sub>IL</sub> , V <sub>OUT</sub> =1.5V	-60	-115	-150	mA
V <sub>OIH</sub>	Output HIGH Voltage	V <sub>CC</sub> =Min., I <sub>OIH</sub> =-24 mA	2.4	3.3		V
V <sub>OIL</sub>	Output LOW Voltage	V <sub>CC</sub> =Min., I <sub>OIL</sub> =24 mA		0.3	0.55	V

**Notes:**

- Operation beyond the limits set forth may impair the useful life of the device. Unless otherwise noted, these limits are over the operating free-air temperature range.
- Unused inputs must always be connected to an appropriate logic voltage level, preferably either V<sub>CC</sub> or ground.
- Typical values are at V<sub>CC</sub>=5.0V, T<sub>A</sub>=+25°C ambient.
- This parameter is guaranteed but not tested.
- Not more than one output should be shorted at a time. Duration of short should not exceed one second. The use of high-speed test apparatus and/or sample and hold techniques are preferable in order to minimize internal chip heating and more accurately reflect operational values. Otherwise prolonged shorting of a high output may raise the chip temperature well above normal and thereby cause invalid readings in other parametric tests. In any sequence of parameter tests, I<sub>OS</sub> tests should be performed last.



**Capacitance**<sup>[5]</sup> ( $T_A = +25^\circ\text{C}$ ,  $f = 1.0\text{ MHz}$ )

Parameter	Description	Test Conditions	Typ. <sup>[4]</sup>	Max.	Unit
$C_{IN}$	Input Capacitance	$V_{IN} = 0V$	4.5	6.0	pF
$C_{OUT}$	Output Capacitance	$V_{OUT} = 0V$	5.5	8.0	pF

**Power Supply Characteristics**

Parameter	Description	Test Conditions	Typ. <sup>[4]</sup>	Max.	Unit	
$I_{CC}$	Quiescent Power Supply Current	$V_{CC} = \text{Max.}$ $V_{IN} \leq 0.2V$ , $V_{IN} \geq V_{CC} - 0.2V$	5	500	$\mu\text{A}$	
$\Delta I_{CC}$	Quiescent Power Supply Current (TTL inputs HIGH)	$V_{CC} = \text{Max.}$ $V_{IN} = 3.4V$ <sup>[7]</sup>	0.5	1.5	mA	
$I_{CCD}$	Dynamic Power Supply Current <sup>[8]</sup>	$V_{CC} = \text{Max.}$ , One Input Toggling, 50% Duty Cycle, Outputs Open, $\overline{OE} = \text{GND}$	$V_{IN} = V_{CC}$ or $V_{IN} = \text{GND}$	60	100	$\mu\text{A}/\text{MHz}$
$I_C$	Total Power Supply Current <sup>[9]</sup>	$V_{CC} = \text{Max.}$ , $f_1 = 10\text{ MHz}$ , 50% Duty Cycle, Outputs Open, One Bit Toggling, $\overline{OE} = \text{GND}$	$V_{IN} = V_{CC}$ or $V_{IN} = \text{GND}$	0.6	1.5	mA
		$V_{IN} = 3.4V$ or $V_{IN} = \text{GND}$	0.9	2.3	mA	
		$V_{CC} = \text{Max.}$ , $f_1 = 2.5\text{ MHz}$ , 50% Duty Cycle, Outputs Open, Sixteen Bits Toggling, $\overline{OE} = \text{GND}$	$V_{IN} = V_{CC}$ or $V_{IN} = \text{GND}$	2.4	4.5 <sup>[10]</sup>	mA
		$V_{IN} = 3.4V$ or $V_{IN} = \text{GND}$	6.4	16.5 <sup>[10]</sup>	mA	

**Switching Characteristics** Over the Operating Range

Parameter	Description	CY74FCT16240T CY74FCT162240T		CY74FCT16240AT CY74FCT162240AT		CY74FCT16240CT CY74FCT162240CT		Unit	Fig. No. <sup>[12]</sup>
		Min. <sup>[11]</sup>	Max.	Min. <sup>[11]</sup>	Max.	Min. <sup>[11]</sup>	Max.		
$t_{PHL}$ $t_{PHL}$	Propagation Delay Data to Output	1.5	8.0	1.5	4.8	1.5	4.3	ns	1, 2
$t_{PZH}$ $t_{PZH}$	Output Enable Time	1.5	10.0	1.5	6.2	1.5	5.8	ns	1, 7, 8
$t_{PLZ}$ $t_{PLZ}$	Output Disable Time	1.5	9.5	1.5	5.6	1.5	5.2	ns	1, 7, 8
$t_{SK(O)}$	Output Skew <sup>[13]</sup>		0.5		0.5		0.5	ns	—

**Notes:**

- $I_{CC}$  TTL driven input ( $V_{IN} = 3.4V$ ), all other inputs at  $V_{CC}$  or  $\text{GND}$ .
- This parameter is not directly testable, but is derived for use in Total Power Supply calculations.
- $I_C = I_{QUIESCENT} + I_{INPUTS} + I_{DYNAMIC}$   
 $I_C = I_{CC} + \Delta I_{CC} D_{IH} N_I + I_{CCD} (f_1/2 + f_1 N_I)$   
 $I_{CC}$  = Quiescent Current with CMOS input levels  
 $\Delta I_{CC}$  = Power Supply Current for a TTL HIGH input ( $V_{IN} = 3.4V$ )  
 $D_{IH}$  = Duty Cycle for TTL inputs HIGH  
 $N_I$  = Number of TTL inputs at  $D_{IH}$   
 $I_{CCD}$  = Dynamic Current caused by an input transition pair (TTL or LTL)

- $f_0$  = Clock frequency for registered devices, otherwise zero
  - $f_1$  = Input signal frequency
  - $N_I$  = Number of inputs changing at  $f_1$
- All currents are in milliamps and all frequencies are in megahertz.
- Values for these conditions are examples of the  $I_{CC}$  formula. These limits are guaranteed but not tested.
  - Minimum limits are guaranteed but not tested on Propagation Delays.
  - See "Parameter Measurement Information" in the General Information Section.
  - Skew between any two outputs of the same package switching in the same direction. This parameter is guaranteed by design.