

Timing Generator for Progressive Scan CCD Image Sensor

Description

The CXD2457R is an IC developed to generate the timing pulses required by Progressive Scan CCD image sensors as well as signal processing circuits.

Features

- Electronic shutter function
- Supports non-interlaced operation
- Base oscillation frequency 30.0MHz
- Horizontal drive frequency switchable between 15/10/5MHz
- Switchable between FINE (Progressive Scan) mode or DRAFT (high-frame rate readout) mode
- Vertical driver

Applications

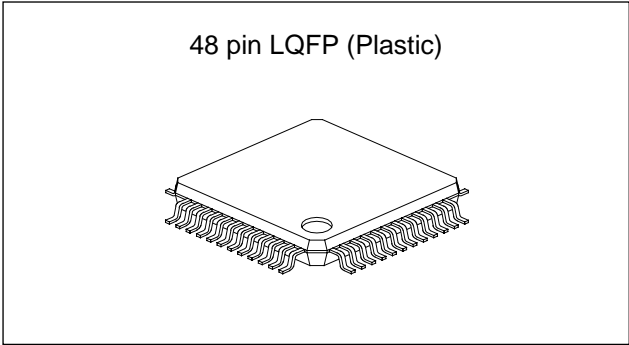
Progressive Scan CCD cameras

Structure

Silicon gate CMOS IC

Applicable CCD Image Sensor

ICX204AK



Absolute Maximum Ratings

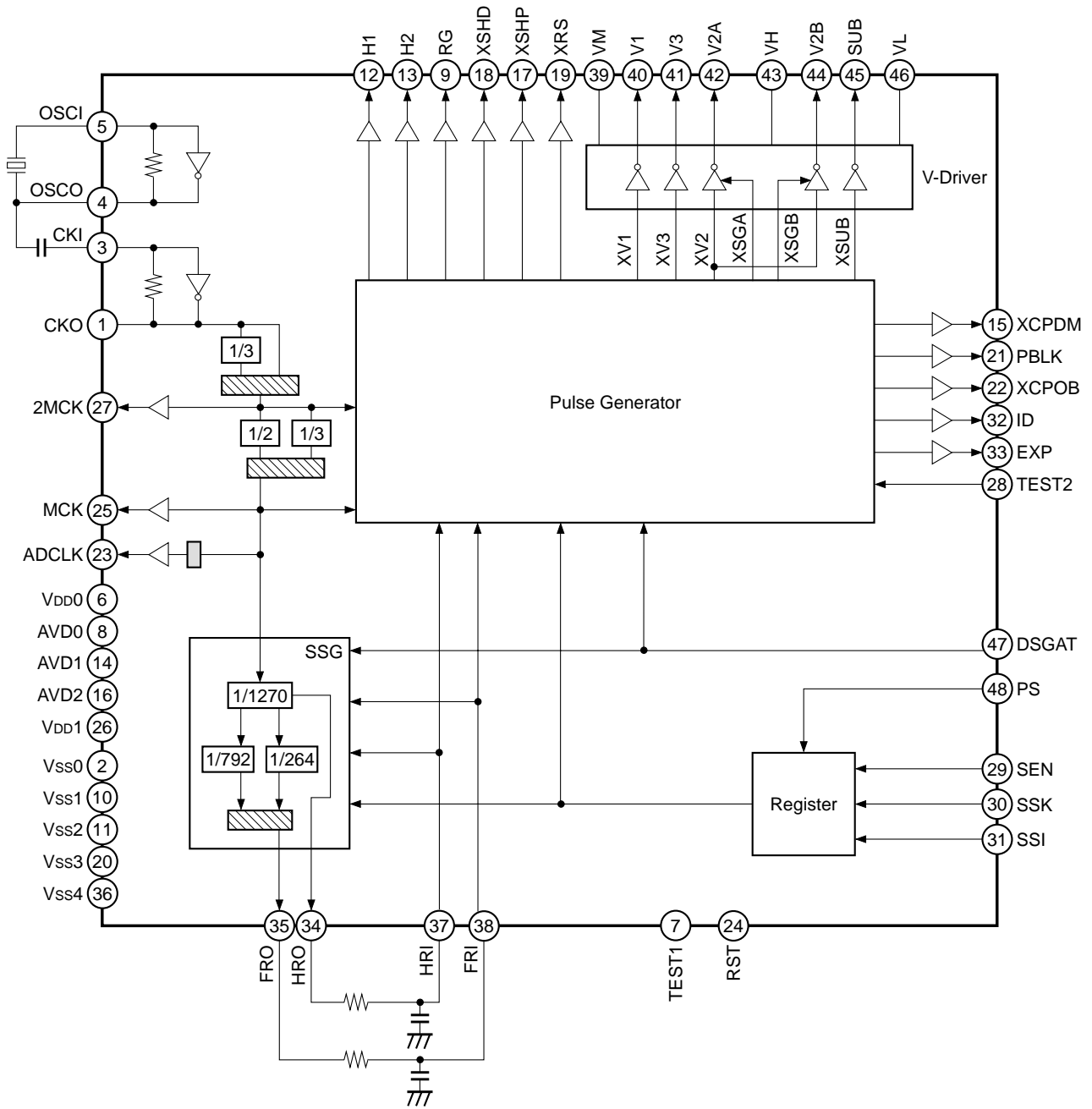
- Supply voltage $V_{DDA}, V_{DDb}, V_{DDc}, V_{DDd}$
 $V_{SS} - 0.5$ to $V_{SS} + 7.0$ V
- Supply voltage V_{SS} $V_L - 0.5$ to $V_L + 10.0$ V
- Supply voltage V_H $V_L - 0.5$ to $V_L + 26.0$ V
- Supply voltage V_M $V_L - 0.5$ to $V_L + 26.0$ V
- Input voltage V_I $V_{SS} - 0.5$ to $V_{DD} + 0.5$ V
- Output voltage V_O $V_{SS} - 0.5$ to $V_{DD} + 0.5$ V
- Operating temperature
 T_{opr} -20 to $+75$ °C
- Storage temperature
 T_{stg} -55 to $+150$ °C

Recommended Operating Conditions

- Supply voltage 1 $V_{DDA}, V_{DDb}, V_{DDc}$
3.0 to 3.6 V
- Supply voltage 2 V_{DDd} 3.0 to 3.6 V
- Supply voltage 3 V_H 14.25 to 15.75 V
- Supply voltage 4 V_L -9.0 to -5.0 V
- Supply voltage 5 V_M 0 V
- Operating temperature
 T_{opr} -20 to $+75$ °C

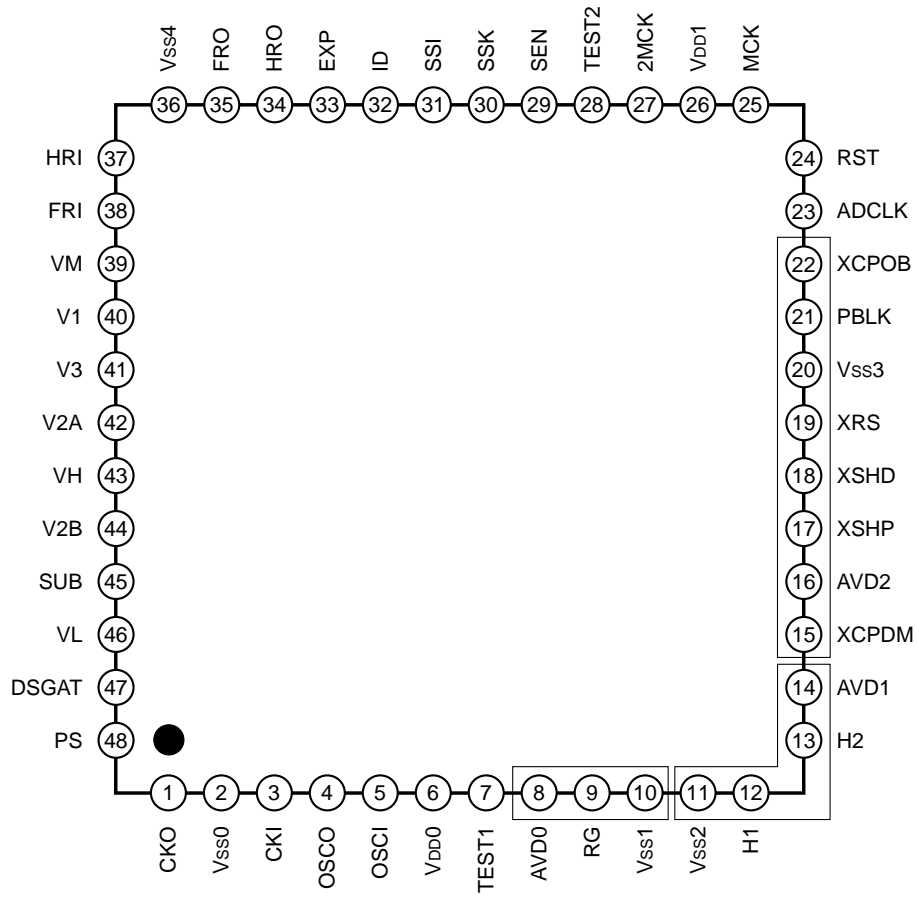
Sony reserves the right to change products and specifications without prior notice. This information does not convey any license by any implication or otherwise under any patents or other right. Application circuits shown, if any, are typical examples illustrating the operation of the devices. Sony cannot assume responsibility for any problems arising out of the use of these circuits.

Block Diagram



XSGA and XSGB are readout pulses that use V2A and V2B, respectively, as the VH value.

Pin Configuration (Top View)



The enclosed pins use separate power supplies.

Pin Description

Pin No.	Symbol	I/O	Description
1	CKO	O	Oscillator output. (30.0MHz)
2	Vss0	—	GND
3	CKI	I	Oscillator input. (30.0MHz)
4	OSCO	O	Inverter output for oscillation. (30.0MHz)
5	OSCI	I	Inverter input for oscillation. (30.0MHz)
6	VDD0	—	Power supply.
7	TEST1	I	Test. With pull-down resistor. Fix to low.
8	AVD0	—	Power supply.
9	RG	O	Reset gate pulse output.
10	Vss1	—	GND
11	Vss2	—	GND
12	H1	O	Clock output for horizontal CCD drive.
13	H2	O	Clock output for horizontal CCD drive.
14	AVD1	—	Power supply.
15	XCPDM	O	Clamp pulse.
16	AVD2	—	Power supply.
17	XSHP	O	Sample-and-hold pulse.
18	XSHD	O	Sample-and-hold pulse.
19	XRS	O	Sample-and-hold pulse.
20	Vss3	—	GND
21	PBLK	O	Blanking cleaning pulse.
22	XCPOB	O	Clamp pulse.
23	ADCLK	O	Clock output for AD conversion.
24	RST	I	Reset (Low: Reset, High: Normal operation). Always input one reset pulse during power-on.
25	MCK	O	Clock output for digital circuit.
26	VDD1	—	Power supply.
27	2MCK	O	Clock output for digital circuit.
28	TEST2	I	Test. Fix to high.
29	SEN	I	PS = High: Drive frequency setting input. PS = Low: Serial setting strobe input.
30	SSK	I	PS = High: Readout method setting input. PS = Low: Serial setting clock input.
31	SSI	I	PS = High: Shutter speed setting input. PS = Low: Serial setting data input.
32	ID	O	Line identification signal output write enable pulse output or XSUB output.
33	EXP	O	Pulse output indicating exposure is underway or checksum result output.

Pin No.	Symbol	I/O	Description
34	HRO	O	Horizontal sync signal (HR) output or XSGB output.
35	FRO	O	Vertical sync signal (FR) output or XSGA output.
36	Vss4	—	GND
37	HRI	I	Horizontal sync signal (HR) input.
38	FRI	I	Vertical sync signal (FR) input.
39	VM	—	GND (vertical clock driver GND).
40	V1	O	Clock output for vertical CCD drive.
41	V3	O	Clock output for vertical CCD drive.
42	V2A	O	Clock output for vertical CCD drive.
43	VH	—	15V power supply (vertical clock driver power supply).
44	V2B	O	Clock output for vertical CCD drive.
45	SUB	O	CCD electric charge sweep pulse output.
46	VL	—	-7.5V power supply (vertical clock driver power supply).
47	DSGAT	I	Output stop (Same operation control as SLP when low).
48	PS	I	Parallel/serial switching for mode setting input method. (High: Parallel, Low: Serial) With pull-down resistor.

Electrical Characteristics

DC Characteristics

(Within the recommended operating conditions)

Item	Pins	Symbol	Conditions	Min.	Typ.	Max.	Unit
Supply voltage 1	VDD0, VDD1,	VDDa		3.0	3.3	3.6	V
Supply voltage 2	AVD0	VDDb		3.0	3.3	3.6	V
Supply voltage 3	AVD1	VDDc		3.0	3.3	3.6	V
Supply voltage 4	AVD2	VDDd		3.0	3.3	3.6	V
Supply voltage 5	VH	VH		14.5	15.5	15.5	V
Supply voltage 6	VM	VM		—	0.0	—	V
Supply voltage 7	VL	VL		−9.0		−5.0	V
Input voltage 1	CKI	V _{IH1}		0.7V _{DDa}			V
		V _{IL1}				0.3V _{DDa}	V
Input voltage 2	TEST1, PS	V _{IH2}		0.7V _{DDb}			V
		V _{IL2}				0.3V _{DDa}	V
Input voltage 3	RST, TEST2, SEN, SSK, SSI, HRI, FRI, DSGAT	V _{t+1}		0.8V _{DDa}			V
		V _{t−1}				0.2V _{DDa}	V
Output voltage 1	CKO, MCK, 2MCK	V _{OH1}	Feed current where I _{OH} = −10.0mA	V _{DDa} − 0.8			V
		V _{OL1}	Pull-in current where I _{OL} = 7.2mA			0.4	V
Output voltage 2	RG	V _{OH2}	Feed current where I _{OH} = −3.3mA	V _{DDb} − 0.8			V
		V _{OL2}	Pull-in current where I _{OL} = 2.4mA			0.4	V
Output voltage 3	H1, H2	V _{OH3}	Feed current where I _{OH} = −22.0mA	V _{DDc} − 0.8			V
		V _{OL3}	Pull-in current where I _{OL} = 14.4mA			0.4	V
Output voltage 4	XCPDM, XSHP, XSHD, XRS, PBLK, XCPOB	V _{OH4}	Feed current where I _{OH} = −3.3mA	V _{DDd} − 0.8			V
		V _{OL4}	Pull-in current where I _{OL} = 2.4mA			0.4	V
Output voltage 5	ID, EXP, HRO, FRO	V _{OH5}	Feed current where I _{OH} = −2.4mA	V _{DDa} − 0.8			V
		V _{OL5}	Pull-in current where I _{OL} = 4.8mA			0.4	V
Output voltage 6	SUB	V _{OH6}	Feed current where I _{OH} = −4.0mA	VH − 0.25			V
		V _{OL6}	Pull-in current where I _{OL} = 5.4mA			VL + 0.25	V
Output voltage 7	V1, V3	V _{OM7}	Feed current where I _{OH} = −5.0mA	VM − 0.25			V
		V _{OL7}	Pull-in current where I _{OL} = 10.0mA			VL + 0.25	V
Output voltage 8	V2A, V2B	V _{OM101}	Feed current where I _{OH} = −7.2mA	VH − 0.25			V
		V _{OM102}	Pull-in current where I _{OL} = 5.0mA			VM + 0.25	V
		V _{OL8}	Feed current where I _{OH} = −5.0mA	VM − 0.25			V
		V _{OL8}	Pull-in current where I _{OL} = 10.0mA			VL + 0.25	V

Inverter I/O Characteristics for Oscillation

(Within the recommended operating conditions)

Item	Pins	Symbol	Conditions	Min.	Typ.	Max.	Unit
Logical Vth	OSCI	LVth			$V_{DDa}/2$		V
Input voltage	OSCI	V_{IH}		$0.7V_{DDd}$			V
		V_{IL}				$0.3V_{DDa}$	V
Output voltage	OSCO	V_{OH}	Feed current where $I_{OH} = -6.0\text{mA}$	$V_{DDa}/2$			V
		V_{OL}	Pull-in current where $I_{OL} = 6.0\text{mA}$			$V_{DDa}/2$	V
Feedback resistor	OSCI, OSCO	RFB	$V_{IN} = V_{DDd}$ or V_{SS}	500k	2M	5M	Ω
Oscillator frequency	OSCI, OSCO	f		20		50	MHz

Base Oscillation Clock Input Characteristics

(Within the recommended operating conditions)

Item	Pins	Symbol	Conditions	Min.	Typ.	Max.	Unit
Logical Vth	CKI	LVth			$V_{DDa}/2$		V
Input voltage		V_{IH}		$0.7V_{DDa}$			V
		V_{IL}				$0.3V_{DDa}$	V
Input amplification		V_{IN}	fmax 50MHz sine wave	0.3			Vp-p

*1 Input voltage is the input voltage characteristics for direct input from an external source. Input amplification is the input amplification characteristics for input through capacitor.

Switching Characteristics

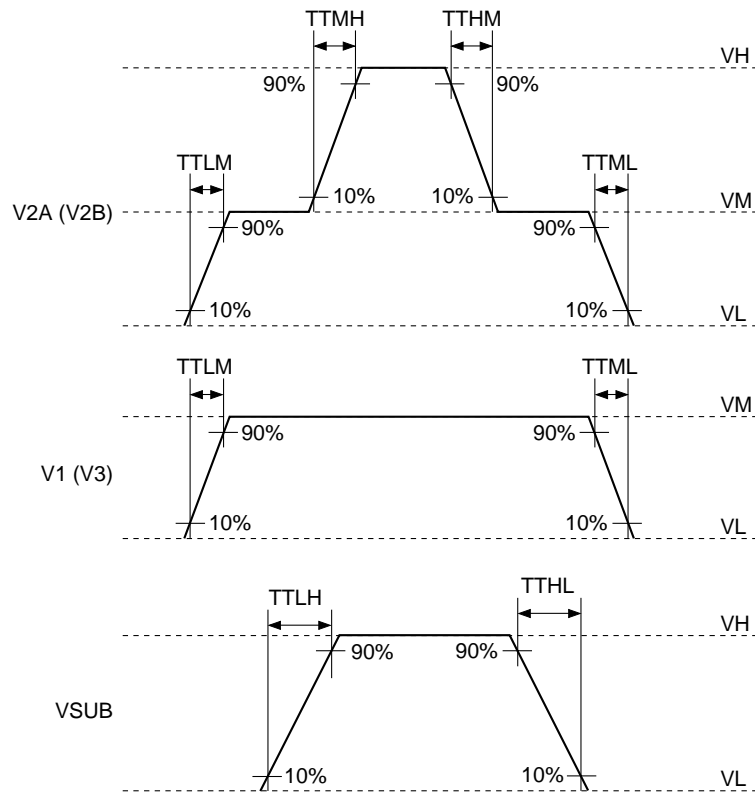
(VH = 15.0V, VM = GND, VL = -8.5V)

Item	Symbol	Conditions	Min.	Typ.	Max.	Unit
Rise time	TTLM	VL to VM		350	550	ns
	TTMH	VM to VH		450	700	ns
	TTLH	VL to VH		50	80	ns
Fall time	TTML	VM to VL		250	400	ns
	TTHM	VH to VM		300	450	ns
	TTHL	VH to VL		50	80	ns
Output noise voltage	VCLH				1.0	V
	VCLL				1.0	V
	VCMH				1.0	V
	VCML				1.0	V

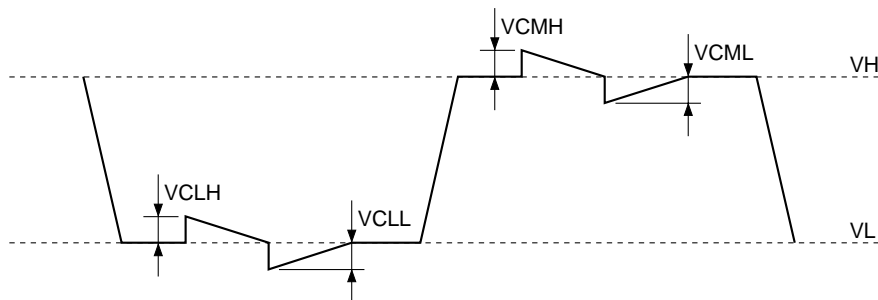
*1 The MOS structure of this IC has a low tolerance for static electricity, so full care should be given for measures to prevent electrostatic discharge.

*2 For noise and latch-up countermeasures, be sure to connect a bypass capacitor (0.1 μ F or more) between each power supply pin (VH, VL) and GND.

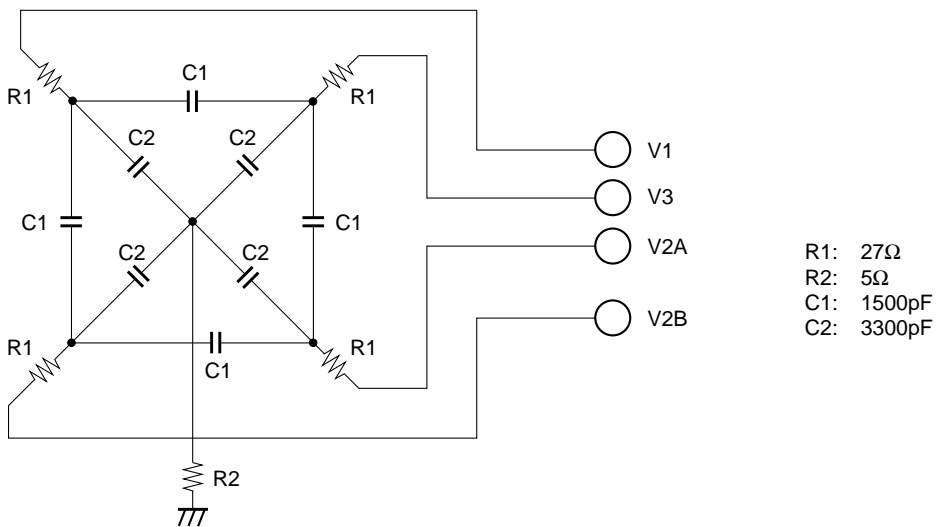
Switching Waveforms



Waveform Noise

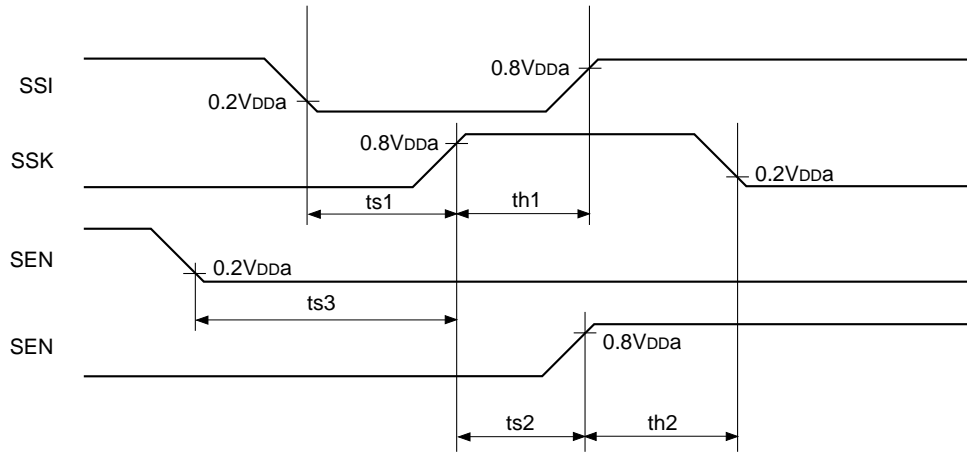


Measurement Circuit



AC Characteristics

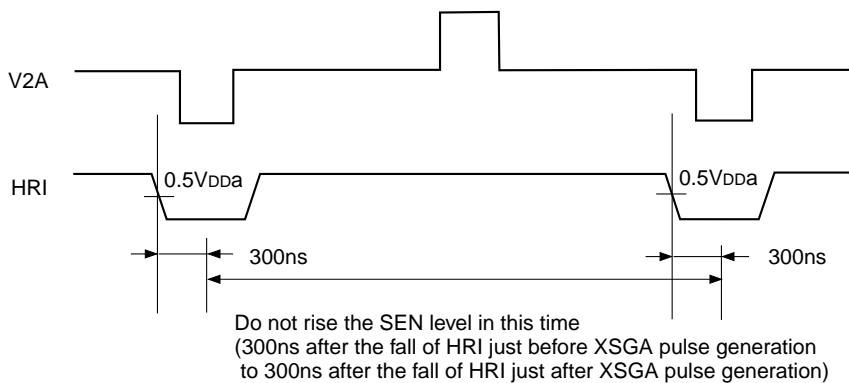
1) AC characteristics between the serial interface clocks



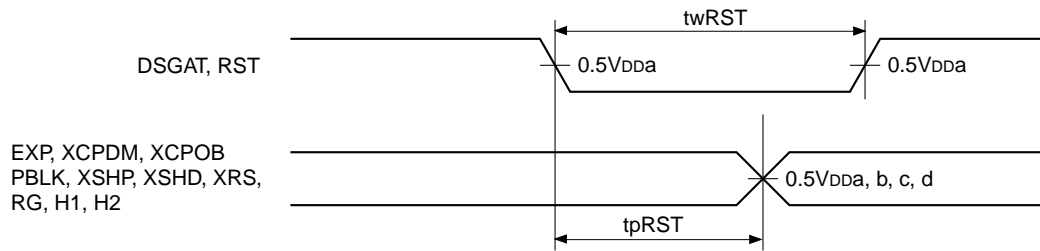
(Within the recommended operating conditions)

Symbol	Definition	Min.	Typ.	Max.	Unit
ts1	SSI setup time, activated by the rising edge of SSK	20			ns
th1	SSI hold time, activated by the rising edge of SSK	20			ns
ts2	SSK setup time, activated by the rising edge of SEN	20			ns
th2	SSK hold time, activated by the rising edge of SEN	20			ns
ts3	SEN setup time, activated by the rising edge of SSK	20			ns
fk	SSK frequency			7.5	MHz

2) Serial interface clock internal loading characteristics



3) Output timing characteristics using DSGAT and RST



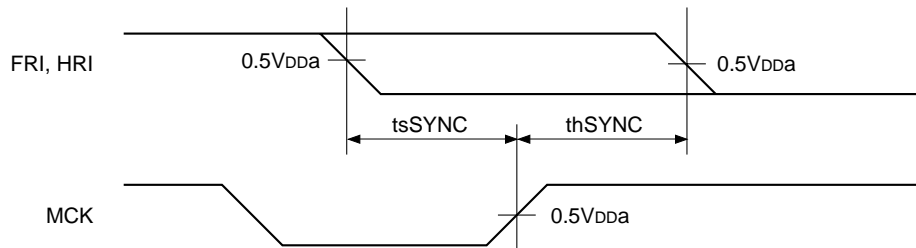
H1 and H2 load capacitance = 180pF

EXP, XCPDM, PBLK, XSHP, XSHD, XRS and RG load capacitance = 10pF

(Within the recommended operating conditions)

Symbol	Definition	Min.	Typ.	Max.	Unit
tpRST	Time until the above outputs reach the specified value after the fall of DSGAT and RST			75	ns
twRST	RST and DSGAT pulse width	10			ns

4) FRI and HRI loading characteristics

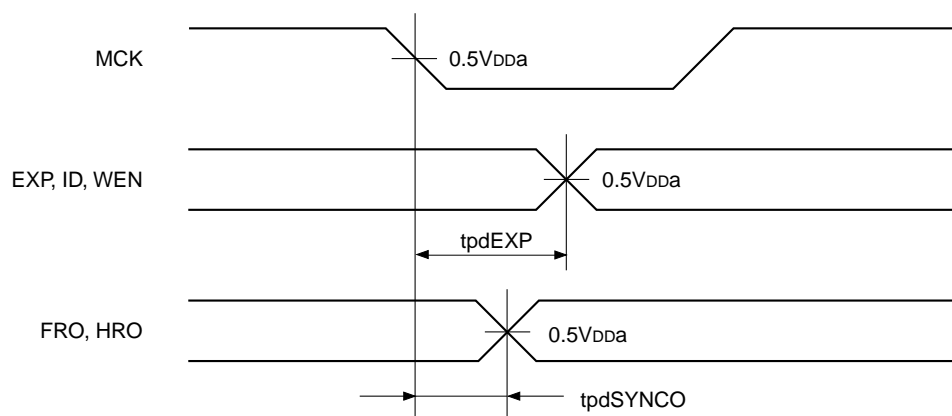


MCK load capacitance = 10pF

(Within the recommended operating conditions)

Symbol	Definition	Min.	Typ.	Max.	Unit
tsSYNC	FRI and HRI setup time, activated by the rising edge of MCK	5			ns
thSYNC	FRI and HRI hold time, activated by the rising edge of MCK	5			ns

5) Output variation characteristics of ID, WEN, EXP, FRO and HRO



EXP, ID and WEN load capacitance = 10pF

(Within the recommended operating conditions)

Symbol	Definition	Min.	Typ.	Max.	Unit
tpdEXP	Time until the WEN, ID and EXP outputs change after the fall of MCK	0.5		8.5	ns
tpdSYNCO	Time until the FRO and HRO outputs change after the fall of MCK	1.0		11.5	ns

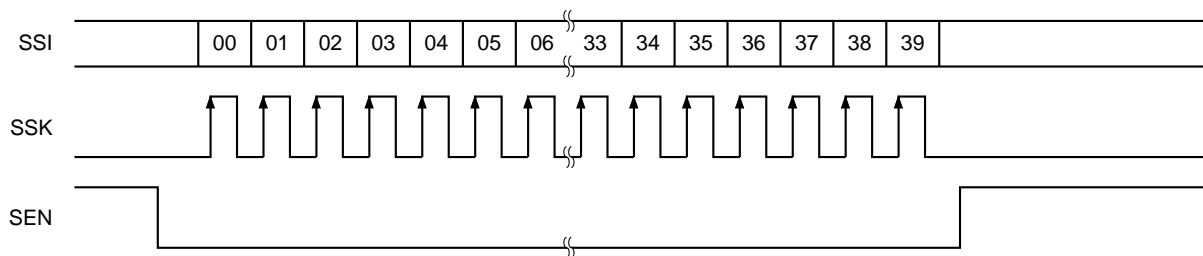
Description of Operation

1. Progressive Scan CCD drive pulse generation

- Combining this IC with a crystal oscillator generates a fundamental frequency of 30.0MHz.
- CCD drive pulse generation is synchronized with HRI and FRI.
- The CCD drive method can be changed to various modes by inputting serial data or parallel data to the CXD2457R.
- The various drive methods possessed by the CXD2457R are shown in the Timing Charts A-1 to 4 (V rate) and B-1 to 6 (H rate).

2. Serial data input method

- All CXD2457R operations can be controlled via the serial interface. The serial data format is as follows.



Serial data format

Serial data

Data	Symbol	Function		When reset
D00 to D07	CHIP	Chip switching	See D00 to D07 CHIP.	All 0
D08 to D10	CTGRY	Category switching	See D08 to D10 CTGRY.	All 0
D11 to D31	DATA	Control data for each category The meaning of this CTGRY control data differs according to the category set by D08 to D10.	See D11 to D31 DATA.	All 0
D32 to D39	Checksum bits	Checksum bits	See D32 to D39 CHKSUM.	All 0

3. Serial data and description of functions

		Detailed description							
D00 to D07 CHIP	The serial interface data is loaded to the CXD2457R when D00 and D07 are 1. However, this assumes that D32 to D39 CHKSUM is satisfied.								
	D07	D06	D05	D04	D03	D02	D01	D00	Function
1 0 0 0 0 0 0 0 1									Loading to the CXD2457R
D08 to D10 CTGRY	This CTGRY data indicates the functions that the serial interface data controls.								
	D10	D09	D08	Function					
	0 0 0			Mode control data					
	0 1 0			Electronic shutter control data					
	0 1 1			High-speed phase adjustment data (Set all of D11 to D31 to 0.)					
1 0 0			System setting data						
Input of values other than those listed above is prohibited.									

CTGRY: Mode control data

		Detailed description	
D11 FHIGH	0: Power saving drive mode 1: High-speed drive mode		
	When FHIGH = 0, the clock input to CKI is immediately frequency divided by 1/3 and loaded internally.		
<p>Mode switching timing (5 clocks after the fall of HRI just before XSG is generated)</p>			
The high-speed phases of H1, H2, RG, XSHP, XSHD, XRS, ADCLK and other pulses are always logically the same phase with respect to MCK.			
D12 FINE	0: DRAFT mode 1: FINE mode		
	In FINE mode, image data is taken by the normal Progressive Scan method. In DRAFT mode, image data is taken by pulse elimination readout. This enables a frame rate three times that during FINE mode. The mode is switched at the fall of HRI just before XSGA. Note that the FRO output is also switched accordingly. (DRAFT mode: 264H, FINE mode: 792H)		
D13 NSG	0: Normal operation 1: Readout prohibited mode		
	In readout prohibited mode, a readout pulse is not added to V2A and V2B (V2A or V2B takes a VH value). (V1, V2 and V3 are not modulated.) The mode is normally switched at the fall of HRI just before the position where the readout pulse is added.		

Detailed description	
<p>0: Normal operation 1: FS mode</p> <p>In order to increase the frame rate, a certain portion of the captured image of CCD can be cut out by performing high-speed sweep.</p> <p>In FS mode, high-speed sweep is performed for the V registers of the entire image (period Z) after FRI input. Next, high-speed sweep is performed again for only the desired period (period X) after generating the XSGA pulse. Then, after performing normal V transfer and outputting the effective signal (period Y), high-speed sweep is performed for the entire image again by inputting FRI at the desired timing. This makes it possible to take only the desired portion in the V direction, thus effectively increasing the frame rate.</p> <p>Operation is fixed during period Z, with 22 lines swept every 1H and repeating over a 36H period. During period X, first XSGA is generated, then sweep operation starts. This period is set in serial data FVFS (system setting data: D21 to D26) in HRI units. Be sure to set FINE = 0 in this mode.</p>	<div style="border: 1px solid black; padding: 5px; width: fit-content; margin-bottom: 10px;">D14</div> <p>FS</p> <ul style="list-style-type: none"> • When the frame rate is increased as the vertical effective signal Y line (example) <div style="margin-left: 20px;"> <div style="display: inline-block; width: 20px; height: 10px; background-color: #cccccc; border: 1px solid black; margin-right: 5px;"></div> Sweep variable period (period X) </div> <div style="margin-left: 20px;"> <div style="display: inline-block; width: 20px; height: 10px; background: repeating-linear-gradient(45deg, transparent, transparent 2px, #cccccc 2px, #cccccc 4px); border: 1px solid black; margin-right: 5px;"></div> Effective signal period (period Y) </div> <div style="margin-left: 20px;"> <div style="display: inline-block; width: 20px; height: 10px; background: repeating-linear-gradient(-45deg, transparent, transparent 2px, #cccccc 2px, #cccccc 4px); border: 1px solid black; margin-right: 5px;"></div> Sweep fixed period (period Z) </div>

Detailed description																																																																																																																																																																																																																																																																																																																																																																							
<p>Operation control settings</p> <p>The operating mode control bits are loaded to the CXD2457R at the rise timing of the SEN input, and control is applied immediately.</p> <table border="1" style="width: 100%; border-collapse: collapse; margin: 10px 0;"> <thead> <tr> <th>D18</th> <th>D17</th> <th>Symbol</th> <th colspan="9">Control mode</th> </tr> </thead> <tbody> <tr> <td style="text-align: center;">0</td> <td style="text-align: center;">0</td> <td style="text-align: center;">CAM</td> <td colspan="9">Normal operation mode</td> </tr> <tr> <td style="text-align: center;">0</td> <td style="text-align: center;">1</td> <td style="text-align: center;">SLP</td> <td colspan="9">Sleep mode (mode for the status where CCD drive is not required)</td> </tr> <tr> <td style="text-align: center;">1</td> <td style="text-align: center;">X</td> <td style="text-align: center;">STN</td> <td colspan="9">Standby mode</td> </tr> </tbody> </table> <p>Pin status during operation control</p> <table border="1" style="width: 100%; border-collapse: collapse; margin: 10px 0;"> <thead> <tr> <th>Pin No.</th> <th>Symbol</th> <th>CAM</th> <th>SLP</th> <th>STN</th> <th>RST*</th> <th>Pin No.</th> <th>Symbol</th> <th>CAM</th> <th>SLP</th> <th>STN</th> <th>RST*</th> </tr> </thead> <tbody> <tr><td>1</td><td>CKO</td><td>ACT</td><td>ACT</td><td>ACT</td><td>ACT</td><td>25</td><td>MCK</td><td>ACT</td><td>ACT</td><td>ACT</td><td>ACT</td></tr> <tr><td>2</td><td>Vss0</td><td>—</td><td>—</td><td>—</td><td>—</td><td>26</td><td>VDD1</td><td>—</td><td>—</td><td>—</td><td>—</td></tr> <tr><td>3</td><td>CKI</td><td>ACT</td><td>ACT</td><td>ACT</td><td>ACT</td><td>27</td><td>2MCK</td><td>ACT</td><td>ACT</td><td>ACT</td><td>ACT</td></tr> <tr><td>4</td><td>OSCO</td><td>ACT</td><td>ACT</td><td>ACT</td><td>ACT</td><td>28</td><td>TEST2</td><td>—</td><td>—</td><td>—</td><td>—</td></tr> <tr><td>5</td><td>OSCI</td><td>ACT</td><td>ACT</td><td>ACT</td><td>ACT</td><td>29</td><td>SEN</td><td>ACT</td><td>ACT</td><td>—</td><td>—</td></tr> <tr><td>6</td><td>VDD0</td><td>—</td><td>—</td><td>—</td><td>—</td><td>30</td><td>SSK</td><td>ACT</td><td>ACT</td><td>—</td><td>—</td></tr> <tr><td>7</td><td>TEST1</td><td>—</td><td>—</td><td>—</td><td>—</td><td>31</td><td>SSI</td><td>ACT</td><td>ACT</td><td>—</td><td>—</td></tr> <tr><td>8</td><td>AVD0</td><td>—</td><td>—</td><td>—</td><td>—</td><td>32</td><td>ID</td><td>ACT</td><td>L</td><td>L</td><td>L</td></tr> <tr><td>9</td><td>RG</td><td>ACT</td><td>L</td><td>L</td><td>L</td><td>33</td><td>EXP</td><td>ACT</td><td>L</td><td>L</td><td>L</td></tr> <tr><td>10</td><td>Vss1</td><td>—</td><td>—</td><td>—</td><td>—</td><td>34</td><td>HRO</td><td>ACT</td><td>ACT</td><td>L</td><td>L</td></tr> <tr><td>11</td><td>Vss2</td><td>—</td><td>—</td><td>—</td><td>—</td><td>35</td><td>FRO</td><td>ACT</td><td>ACT</td><td>L</td><td>L</td></tr> <tr><td>12</td><td>H1</td><td>ACT</td><td>L</td><td>L</td><td>L</td><td>36</td><td>Vss4</td><td>—</td><td>—</td><td>—</td><td>—</td></tr> <tr><td>13</td><td>H2</td><td>ACT</td><td>L</td><td>L</td><td>L</td><td>37</td><td>HRI</td><td>ACT</td><td>ACT</td><td>—</td><td>—</td></tr> <tr><td>14</td><td>AVD1</td><td>—</td><td>—</td><td>—</td><td>—</td><td>38</td><td>FRI</td><td>ACT</td><td>ACT</td><td>—</td><td>—</td></tr> <tr><td>15</td><td>XCPDM</td><td>ACT</td><td>L</td><td>L</td><td>L</td><td>39</td><td>VM</td><td>—</td><td>—</td><td>—</td><td>—</td></tr> <tr><td>16</td><td>AVD2</td><td>—</td><td>—</td><td>—</td><td>—</td><td>40</td><td>V1</td><td>ACT</td><td>VM</td><td>VM</td><td>VM</td></tr> <tr><td>17</td><td>XSHP</td><td>ACT</td><td>L</td><td>L</td><td>L</td><td>41</td><td>V3</td><td>ACT</td><td>VM</td><td>VM</td><td>VM</td></tr> <tr><td>18</td><td>XSHD</td><td>ACT</td><td>L</td><td>L</td><td>L</td><td>42</td><td>V2A</td><td>ACT</td><td>VH</td><td>VH</td><td>VH</td></tr> <tr><td>19</td><td>XRS</td><td>ACT</td><td>L</td><td>L</td><td>L</td><td>43</td><td>VH</td><td>—</td><td>—</td><td>—</td><td>—</td></tr> <tr><td>20</td><td>Vss3</td><td>—</td><td>—</td><td>—</td><td>—</td><td>44</td><td>V2B</td><td>ACT</td><td>VH</td><td>VH</td><td>VH</td></tr> <tr><td>21</td><td>PBLK</td><td>ACT</td><td>L</td><td>L</td><td>L</td><td>45</td><td>SUB</td><td>ACT</td><td>VH</td><td>VH</td><td>VH</td></tr> <tr><td>22</td><td>XCPOB</td><td>ACT</td><td>L</td><td>L</td><td>L</td><td>46</td><td>VL</td><td>—</td><td>—</td><td>—</td><td>—</td></tr> <tr><td>23</td><td>ADCLK</td><td>ACT</td><td>L</td><td>L</td><td>L</td><td>47</td><td>DSGAT</td><td>ACT</td><td>ACT</td><td>L</td><td>L</td></tr> <tr><td>24</td><td>RST</td><td>ACT</td><td>ACT</td><td>ACT</td><td>ACT</td><td>48</td><td>PS</td><td>ACT</td><td>ACT</td><td>ACT</td><td>ACT</td></tr> </tbody> </table> <p>* See "6. RST pulse" for a detailed description of RST.</p> <p>Note) ACT indicates circuit operation, and L indicates "low" output level in the controlled status. For sleep mode or standby mode, stop supplying VH and VL power supplies with CCD image sensor.</p>												D18	D17	Symbol	Control mode									0	0	CAM	Normal operation mode									0	1	SLP	Sleep mode (mode for the status where CCD drive is not required)									1	X	STN	Standby mode									Pin No.	Symbol	CAM	SLP	STN	RST*	Pin No.	Symbol	CAM	SLP	STN	RST*	1	CKO	ACT	ACT	ACT	ACT	25	MCK	ACT	ACT	ACT	ACT	2	Vss0	—	—	—	—	26	VDD1	—	—	—	—	3	CKI	ACT	ACT	ACT	ACT	27	2MCK	ACT	ACT	ACT	ACT	4	OSCO	ACT	ACT	ACT	ACT	28	TEST2	—	—	—	—	5	OSCI	ACT	ACT	ACT	ACT	29	SEN	ACT	ACT	—	—	6	VDD0	—	—	—	—	30	SSK	ACT	ACT	—	—	7	TEST1	—	—	—	—	31	SSI	ACT	ACT	—	—	8	AVD0	—	—	—	—	32	ID	ACT	L	L	L	9	RG	ACT	L	L	L	33	EXP	ACT	L	L	L	10	Vss1	—	—	—	—	34	HRO	ACT	ACT	L	L	11	Vss2	—	—	—	—	35	FRO	ACT	ACT	L	L	12	H1	ACT	L	L	L	36	Vss4	—	—	—	—	13	H2	ACT	L	L	L	37	HRI	ACT	ACT	—	—	14	AVD1	—	—	—	—	38	FRI	ACT	ACT	—	—	15	XCPDM	ACT	L	L	L	39	VM	—	—	—	—	16	AVD2	—	—	—	—	40	V1	ACT	VM	VM	VM	17	XSHP	ACT	L	L	L	41	V3	ACT	VM	VM	VM	18	XSHD	ACT	L	L	L	42	V2A	ACT	VH	VH	VH	19	XRS	ACT	L	L	L	43	VH	—	—	—	—	20	Vss3	—	—	—	—	44	V2B	ACT	VH	VH	VH	21	PBLK	ACT	L	L	L	45	SUB	ACT	VH	VH	VH	22	XCPOB	ACT	L	L	L	46	VL	—	—	—	—	23	ADCLK	ACT	L	L	L	47	DSGAT	ACT	ACT	L	L	24	RST	ACT	ACT	ACT	ACT	48	PS	ACT	ACT	ACT	ACT
D18	D17	Symbol	Control mode																																																																																																																																																																																																																																																																																																																																																																				
0	0	CAM	Normal operation mode																																																																																																																																																																																																																																																																																																																																																																				
0	1	SLP	Sleep mode (mode for the status where CCD drive is not required)																																																																																																																																																																																																																																																																																																																																																																				
1	X	STN	Standby mode																																																																																																																																																																																																																																																																																																																																																																				
Pin No.	Symbol	CAM	SLP	STN	RST*	Pin No.	Symbol	CAM	SLP	STN	RST*																																																																																																																																																																																																																																																																																																																																																												
1	CKO	ACT	ACT	ACT	ACT	25	MCK	ACT	ACT	ACT	ACT																																																																																																																																																																																																																																																																																																																																																												
2	Vss0	—	—	—	—	26	VDD1	—	—	—	—																																																																																																																																																																																																																																																																																																																																																												
3	CKI	ACT	ACT	ACT	ACT	27	2MCK	ACT	ACT	ACT	ACT																																																																																																																																																																																																																																																																																																																																																												
4	OSCO	ACT	ACT	ACT	ACT	28	TEST2	—	—	—	—																																																																																																																																																																																																																																																																																																																																																												
5	OSCI	ACT	ACT	ACT	ACT	29	SEN	ACT	ACT	—	—																																																																																																																																																																																																																																																																																																																																																												
6	VDD0	—	—	—	—	30	SSK	ACT	ACT	—	—																																																																																																																																																																																																																																																																																																																																																												
7	TEST1	—	—	—	—	31	SSI	ACT	ACT	—	—																																																																																																																																																																																																																																																																																																																																																												
8	AVD0	—	—	—	—	32	ID	ACT	L	L	L																																																																																																																																																																																																																																																																																																																																																												
9	RG	ACT	L	L	L	33	EXP	ACT	L	L	L																																																																																																																																																																																																																																																																																																																																																												
10	Vss1	—	—	—	—	34	HRO	ACT	ACT	L	L																																																																																																																																																																																																																																																																																																																																																												
11	Vss2	—	—	—	—	35	FRO	ACT	ACT	L	L																																																																																																																																																																																																																																																																																																																																																												
12	H1	ACT	L	L	L	36	Vss4	—	—	—	—																																																																																																																																																																																																																																																																																																																																																												
13	H2	ACT	L	L	L	37	HRI	ACT	ACT	—	—																																																																																																																																																																																																																																																																																																																																																												
14	AVD1	—	—	—	—	38	FRI	ACT	ACT	—	—																																																																																																																																																																																																																																																																																																																																																												
15	XCPDM	ACT	L	L	L	39	VM	—	—	—	—																																																																																																																																																																																																																																																																																																																																																												
16	AVD2	—	—	—	—	40	V1	ACT	VM	VM	VM																																																																																																																																																																																																																																																																																																																																																												
17	XSHP	ACT	L	L	L	41	V3	ACT	VM	VM	VM																																																																																																																																																																																																																																																																																																																																																												
18	XSHD	ACT	L	L	L	42	V2A	ACT	VH	VH	VH																																																																																																																																																																																																																																																																																																																																																												
19	XRS	ACT	L	L	L	43	VH	—	—	—	—																																																																																																																																																																																																																																																																																																																																																												
20	Vss3	—	—	—	—	44	V2B	ACT	VH	VH	VH																																																																																																																																																																																																																																																																																																																																																												
21	PBLK	ACT	L	L	L	45	SUB	ACT	VH	VH	VH																																																																																																																																																																																																																																																																																																																																																												
22	XCPOB	ACT	L	L	L	46	VL	—	—	—	—																																																																																																																																																																																																																																																																																																																																																												
23	ADCLK	ACT	L	L	L	47	DSGAT	ACT	ACT	L	L																																																																																																																																																																																																																																																																																																																																																												
24	RST	ACT	ACT	ACT	ACT	48	PS	ACT	ACT	ACT	ACT																																																																																																																																																																																																																																																																																																																																																												

D17

to

D18

STB

Detailed description													
<p>D19 EXPXEN</p>	<p>0: The EXP pulse indicating the exposure period is generated. 1: The EXP pulse indicating the exposure period is not generated, and is constantly fixed to low.</p> <p>This bit is invalid when STATUS = 1. Note that the STB setting has priority. The data is reflected at the rise of XSGA.</p>												
<p>D20 3MCK</p>	<p>0: 2MCK clock system 1: 3MCK clock system</p> <p>This bit switches how MCK is comprised from the clock selected by FHIGH. Note that the waveform is unstable for 5 clocks before and after switching.</p>												
<p>D21 to D23</p>	<p>Invalid data</p>												
<p>D24 to D28 VSHUT</p>	<p>Low-speed electronic shutter setting. The value set here is the number of FR during which readout operation is not performed even if there is input. The setting range is from 0 to 31. When set to 0, readout operation is performed at the first VR. When FS = 1, this bit is invalid.</p> <table border="1"> <thead> <tr> <th>MSB</th> <th colspan="4">LSB</th> <th>Function</th> </tr> </thead> <tbody> <tr> <td>D28</td> <td>D27</td> <td>D26</td> <td>D25</td> <td>D24</td> <td>Number of FR during which readout operation is not performed</td> </tr> </tbody> </table>	MSB	LSB				Function	D28	D27	D26	D25	D24	Number of FR during which readout operation is not performed
MSB	LSB				Function								
D28	D27	D26	D25	D24	Number of FR during which readout operation is not performed								
<p>D29 to D31</p>	<p>Invalid data</p>												

CXD2457R clock system

When using a 30MHz crystal

	FHIGH	3MCK	FINE	MCK frequency	2MCK pin output	Frame rate
Mode1	1	0	1	15MHz	30MHz	15Frame/s
Mode2	1	1	0	10MHz	15MHz	30Frame/s
Mode3	0	0	0	5MHz	10MHz	15Frame/s
Mode4	1	0	0	15MHz	30MHz	45Frame/s
Mode5	1	1	1	10MHz	15MHz	10Frame/s

Note) Combinations of FHIGH, 3MCK and FINE other than those listed above are prohibited.

CTGRY: Electronic shutter control data

Detailed description							
<div style="border: 1px solid black; padding: 2px; display: inline-block;">D11</div> to <div style="border: 1px solid black; padding: 2px; display: inline-block;">D20</div> HSHUT	High-speed electronic shutter setting. The value set here is the number of SUB pulses from FR to the next FR. <table border="1" style="width: 100%; margin-top: 10px;"> <thead> <tr> <th style="width: 10%;">MSB</th> <th style="width: 80%;">LSB</th> <th style="width: 10%;">Function</th> </tr> </thead> <tbody> <tr> <td>D20</td> <td>D19 D18 D17 D16 D15 D14 D13 D12 D11</td> <td>Number of SUB pulses setting</td> </tr> </tbody> </table>	MSB	LSB	Function	D20	D19 D18 D17 D16 D15 D14 D13 D12 D11	Number of SUB pulses setting
MSB	LSB	Function					
D20	D19 D18 D17 D16 D15 D14 D13 D12 D11	Number of SUB pulses setting					
<div style="border: 1px solid black; padding: 2px; display: inline-block;">D21</div> to <div style="border: 1px solid black; padding: 2px; display: inline-block;">D31</div>	Input 0.						

High-speed and low-speed electronic shutter can be used together. Therefore, the exposure time is as follows:

$$FR \text{ cycle} \times VSHUT + (fv - HSHUT) \times HR \text{ cycle} + 745/MCK \text{ frequency [Hz]} = \text{Exposure time [s]}$$

(fv: Number of HR in 1FR)

CTGRY: System setting data

Detailed description																
<p>D11 SGXEN</p>	<p>0: Internal SSG (Sync Signal Generator) functions operate to generate FRO and HRO. 1: Internal SSG functions are stopped, and the FRO and HRO pulses are fixed to low.</p> <p>Note that the STB setting has priority. When the sync signal is input from external CXD2457R, use it at SGXEN = 1.</p>															
<p>D12 EXSG</p>	<p>0: Normal operation 1: XSGA and XSGB are output from the FRO and HRO pins.</p> <p>Note that the amplitude of the output pulses are V_{SS} to V_{DDA}.</p>															
<p>D13 to D14 IDSEL</p>	<p>These bits select the pulse output from the ID pin.</p> <table border="1" style="margin-left: auto; margin-right: auto;"> <thead> <tr> <th colspan="2"></th> <th colspan="2">D14</th> </tr> <tr> <th colspan="2"></th> <th>0</th> <th>1</th> </tr> </thead> <tbody> <tr> <th rowspan="2">D13</th> <th>0</th> <td>ID pulse output</td> <td>WEN pulse output</td> </tr> <tr> <th>1</th> <td>XSUB pulse output</td> <td>ID pulse output</td> </tr> </tbody> </table> <p>XSUB: Inverted SUB pulse output at the amplitude of V_{SS} to V_{DDA}</p>			D14				0	1	D13	0	ID pulse output	WEN pulse output	1	XSUB pulse output	ID pulse output
		D14														
		0	1													
D13	0	ID pulse output	WEN pulse output													
	1	XSUB pulse output	ID pulse output													
<p>D15 VTXEN</p>	<p>0: VT (readout clock) is added to V2A, V2B and V3 as normal. 1: VT is not added to V2A, V2B and V3.</p> <p>During readout, only the modulation necessary for readout is performed. Note that this setting has priority over mode control data NSG (D13).</p>															
<p>D16 CHKSUM</p>	<p>0: Checksum is not performed and the checksum data is invalid. (However, dummy data must be set in the CHKSUM register.) 1: Checksum is performed. This data is reflected even if the checksum results are NG.</p>															
<p>D17 STATUS</p>	<p>0: The EXP pulse is output from the EXP pin. 1: High is indicated if the checksum results are OK, and low if the results are NG.</p> <p>This pulse is output at the rise of SEN, and reset high at the fall of SEN. This pulse has priority over mode control data EXP.</p>															
<p>D18 to D20</p>	<p>Input 0.</p>															
<p>D21 to D26 FVFS</p>	<p>These bits set the high-speed sweep period (unit: H) in FS mode.</p> <table border="1" style="margin-left: auto; margin-right: auto;"> <thead> <tr> <th colspan="6">MSB</th> <th>LSB</th> </tr> </thead> <tbody> <tr> <td>D26</td> <td>D25</td> <td>D24</td> <td>D23</td> <td>D22</td> <td>D21</td> <td></td> </tr> </tbody> </table> <p>The high-speed sweep is performed 22 times every 1H.</p>	MSB						LSB	D26	D25	D24	D23	D22	D21		
MSB						LSB										
D26	D25	D24	D23	D22	D21											

4. Shutter speed setting specifications when PS = H

When PS = H, the CXD2457R can be controlled without inputting serial data by using the SEN, SSK and SSI pins.

Pin		When L	When H															
SEN	FHIGH (horizontal CCD drive frequency)	Serial registers FHIGH and 3MCK = 0.	Serial registers FHIGH = 1 and 3MCK = 0.															
SSK	FINE (readout method)	Serial register FINE = 0 and the CXD2457R operates in DRAFT mode.	Serial register FINE = 1 and the CXD2457R operates in FINE mode.															
SSI	HSHUT, VSHUT (exposure time)	<p>Number of SUB pulses when PS = H</p> <table border="1"> <thead> <tr> <th colspan="2"></th> <th colspan="2">SSK</th> </tr> <tr> <th colspan="2"></th> <th>L</th> <th>H</th> </tr> </thead> <tbody> <tr> <th rowspan="2">SEN</th> <th>L</th> <td>249 199</td> <td>777 727</td> </tr> <tr> <th>H</th> <td>217 68</td> <td>745 596</td> </tr> </tbody> </table> <p>Upper number: When SSI = H (1/250) Lower number: When SSI = L (1/60)</p>				SSK				L	H	SEN	L	249 199	777 727	H	217 68	745 596
		SSK																
		L	H															
SEN	L	249 199	777 727															
	H	217 68	745 596															

Other registers hold the value input when PS = L, and assume the status indicated by STB when the RST pulse is input.

5. Reflective position of each data

Each serial data is reflected at the timing shown in the table below. The reflection position is the same when PS = H. When using the low-speed electronic shutter, the data is not reflected at FR where XSGA is not generated (a readout pulse is not added to V2A).

Table 5-1. Serial data reflection timing

Data	Reflection position
Mode control data (STB)	SEN rise
Mode control data (EXPXEN)	XSGA pulse rise
Mode control data (other than STB and EXPXEN)	HRI* ¹ fall just before XSGA pulse generation
Electronic shutter control data	HRI* ² fall just after XSGA pulse generation
High-speed phase adjustment data	HRI* ¹ fall just before XSGA pulse generation
System setting data (SGXEN)	SEN rise
System setting data (other than SGXEN)	HRI* ¹ fall just before XSGA pulse generation

*¹ For FS mode, 7HRI later from FRI fall

*² For FS mode, 8HRI later from FRI fall

6. RST pulse

Setting Pin 30 to low resets the system. The serial data values after reset are as shown in the "Serial data" table.

Also, some internal circuits stop operating when RST = L. For a description of the pin status when RST = L, see the "Pin status during operation control" table given in the detailed description of STB under "3. Serial data and description of functions".

7. DSGAT

DSGAT is ON when low and the CXD2457R is set to sleep mode as with SLP of STB.

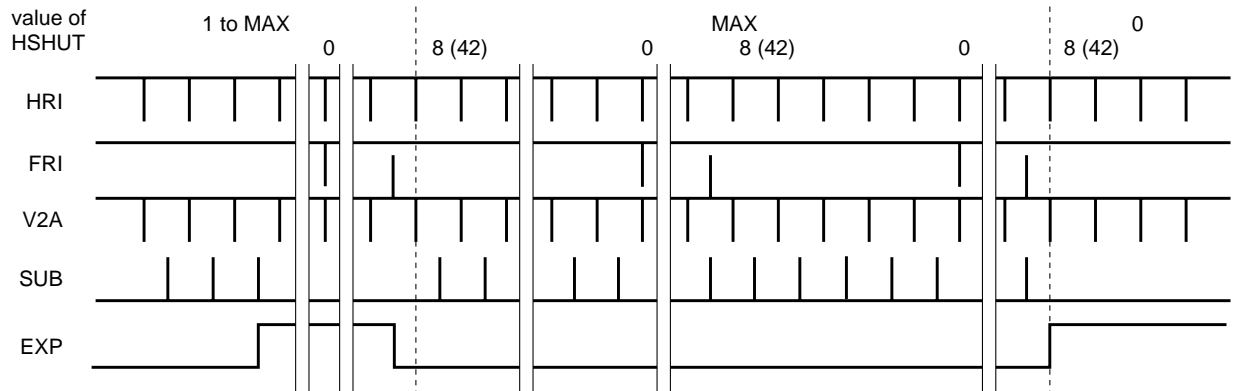
Note that control is applied when either or both of DSGAT and SLP are ON. Also, when STN is ON, the CXD2457R is set to standby mode regardless of the DSGAT status.

8. EXP pulse

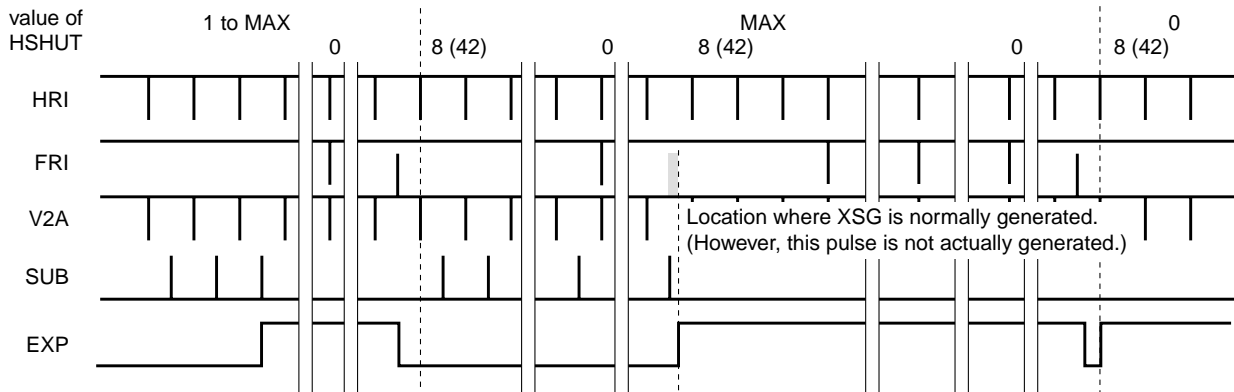
The EXP pulse indicates the exposure period.

The details are shown on the following pages.

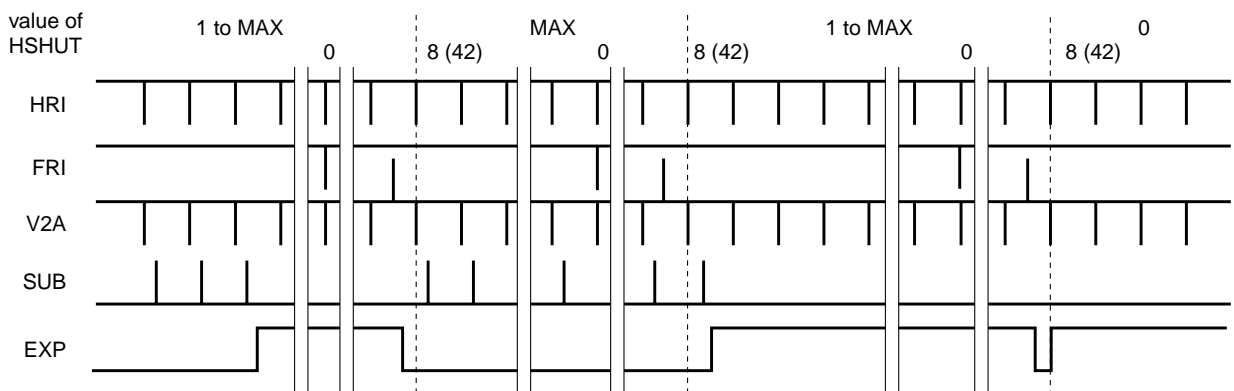
(1) HSHUT ≥ MAX



(2) HSHUT ≥ MAX (with low-speed electronic shutter)

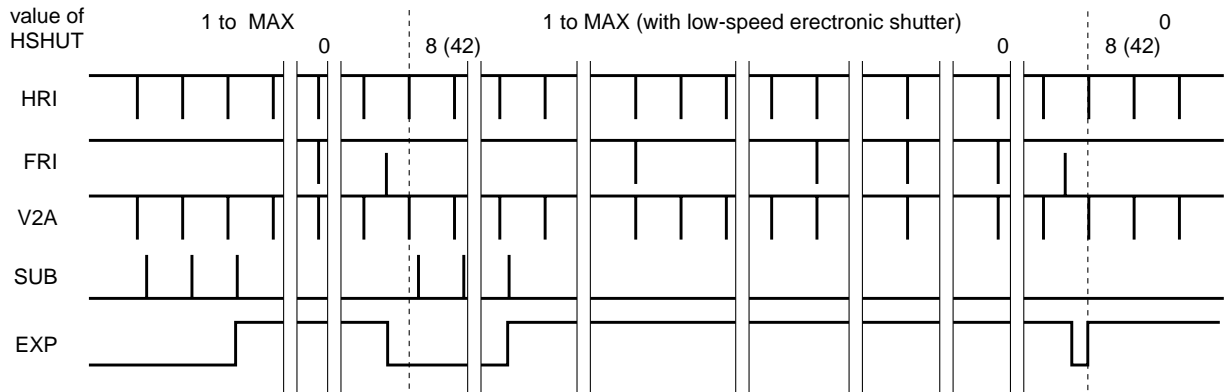


(3) 1 ≤ HSHUT < MAX

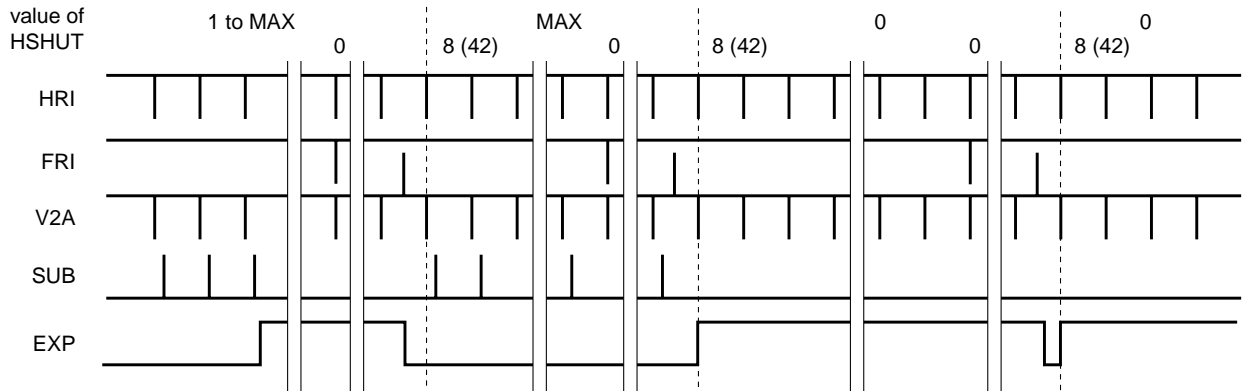


Numbers in parentheses are for FS mode.

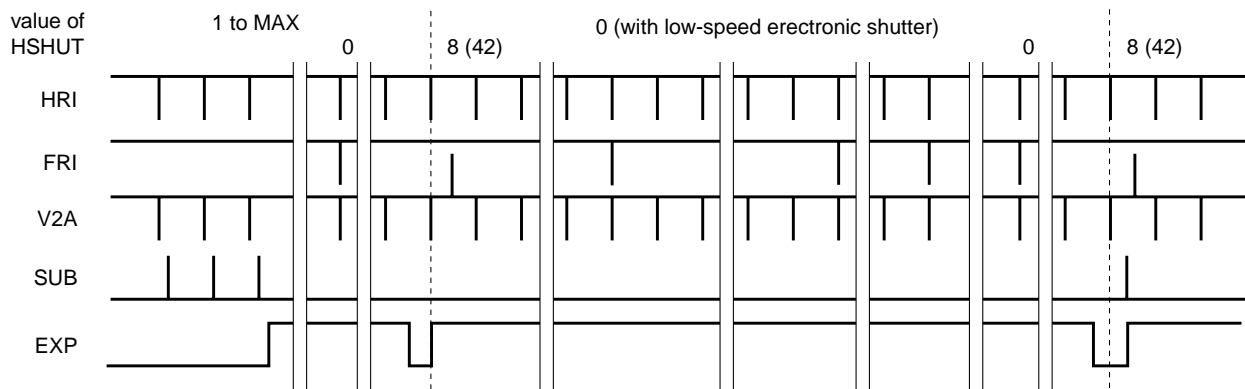
(4) $1 \leq \text{HSHUT} < \text{MAX}$ (with low-speed electronic shutter)



(5) $\text{HSHUT} = 0$



(6) $\text{HSHUT} = 0$ (with low-speed electronic shutter)



Numbers in parentheses are for FS mode.

Chart A-1. FINE Mode (Vertical synchronization)

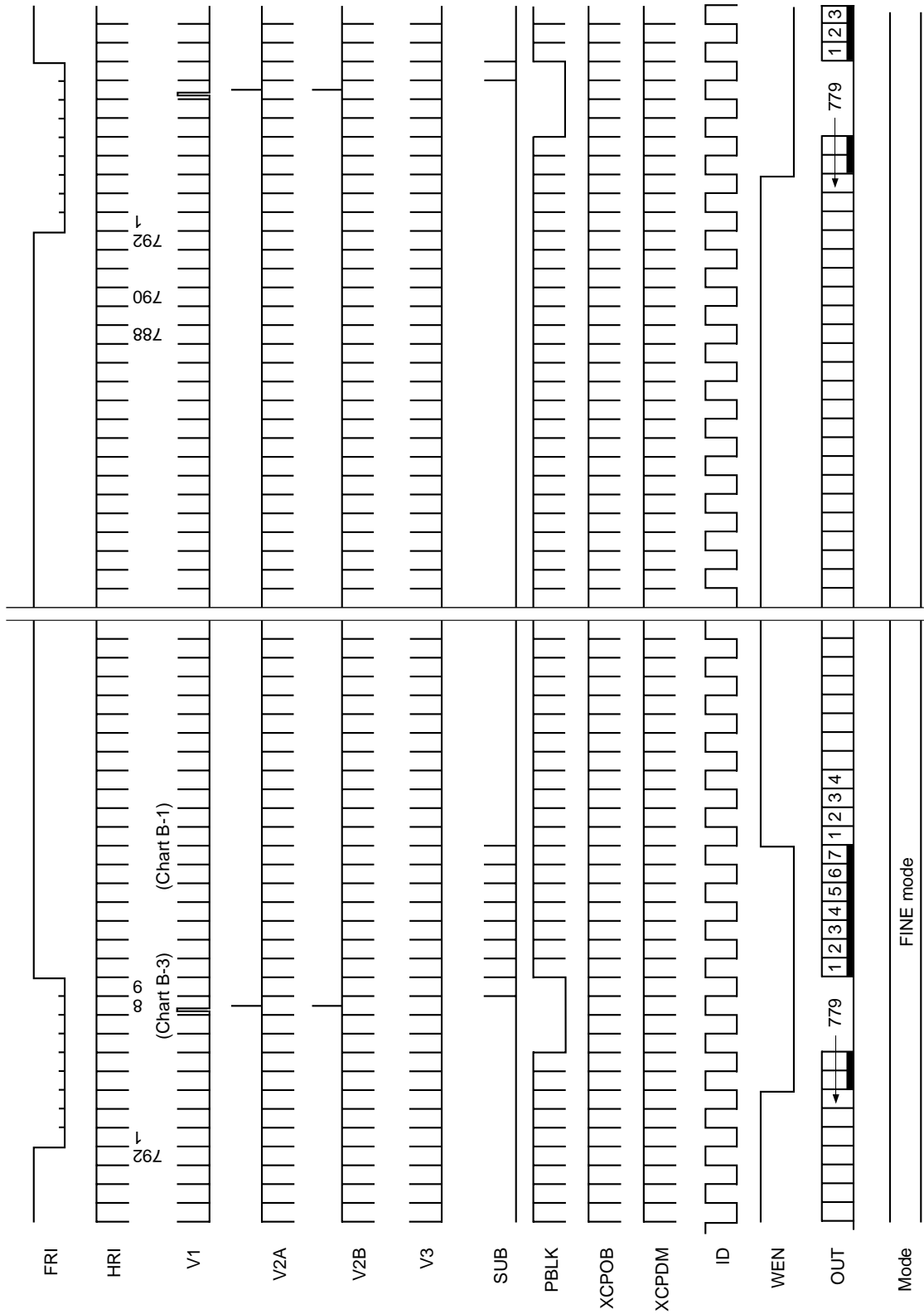


Chart A-2. DRAFT Mode (Vertical synchronization)

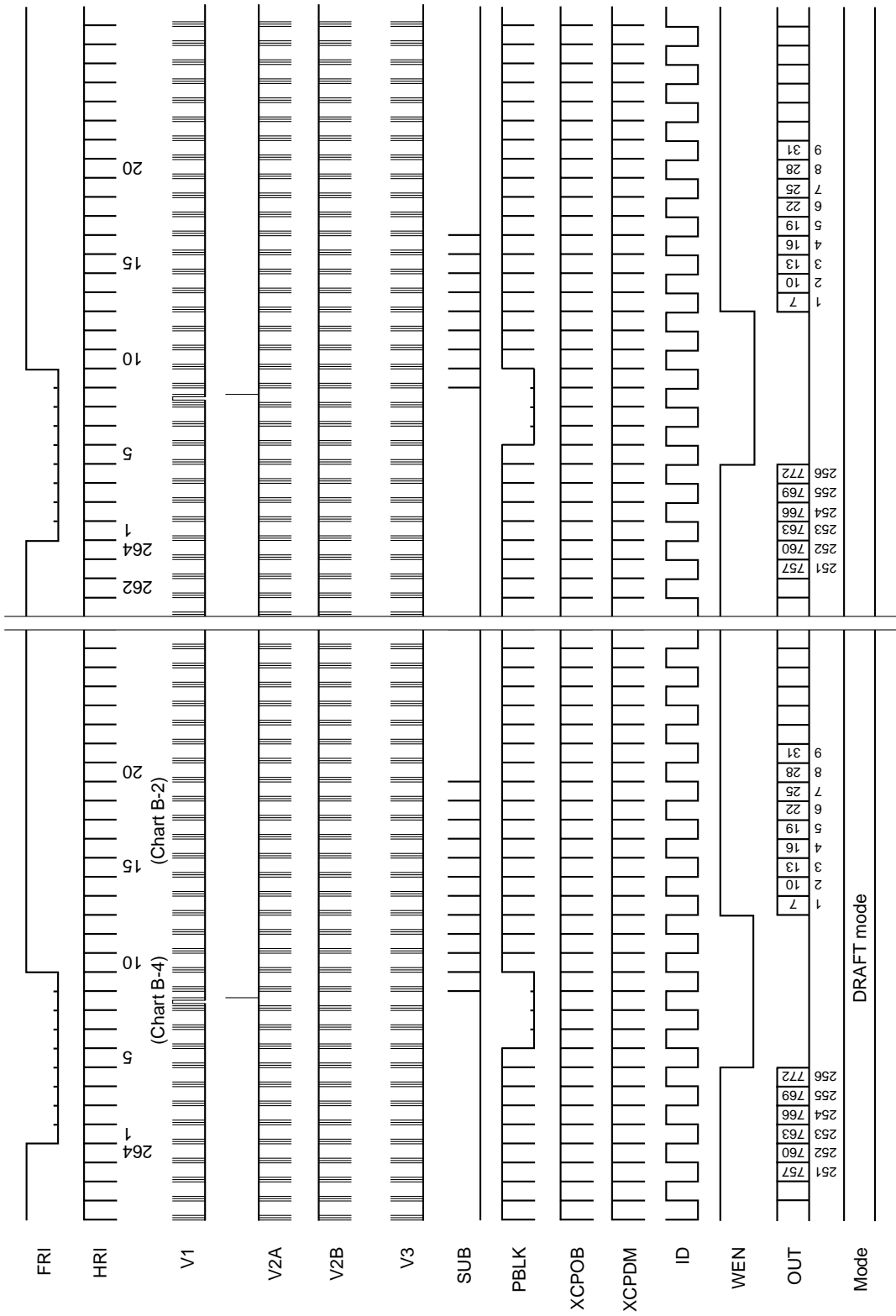
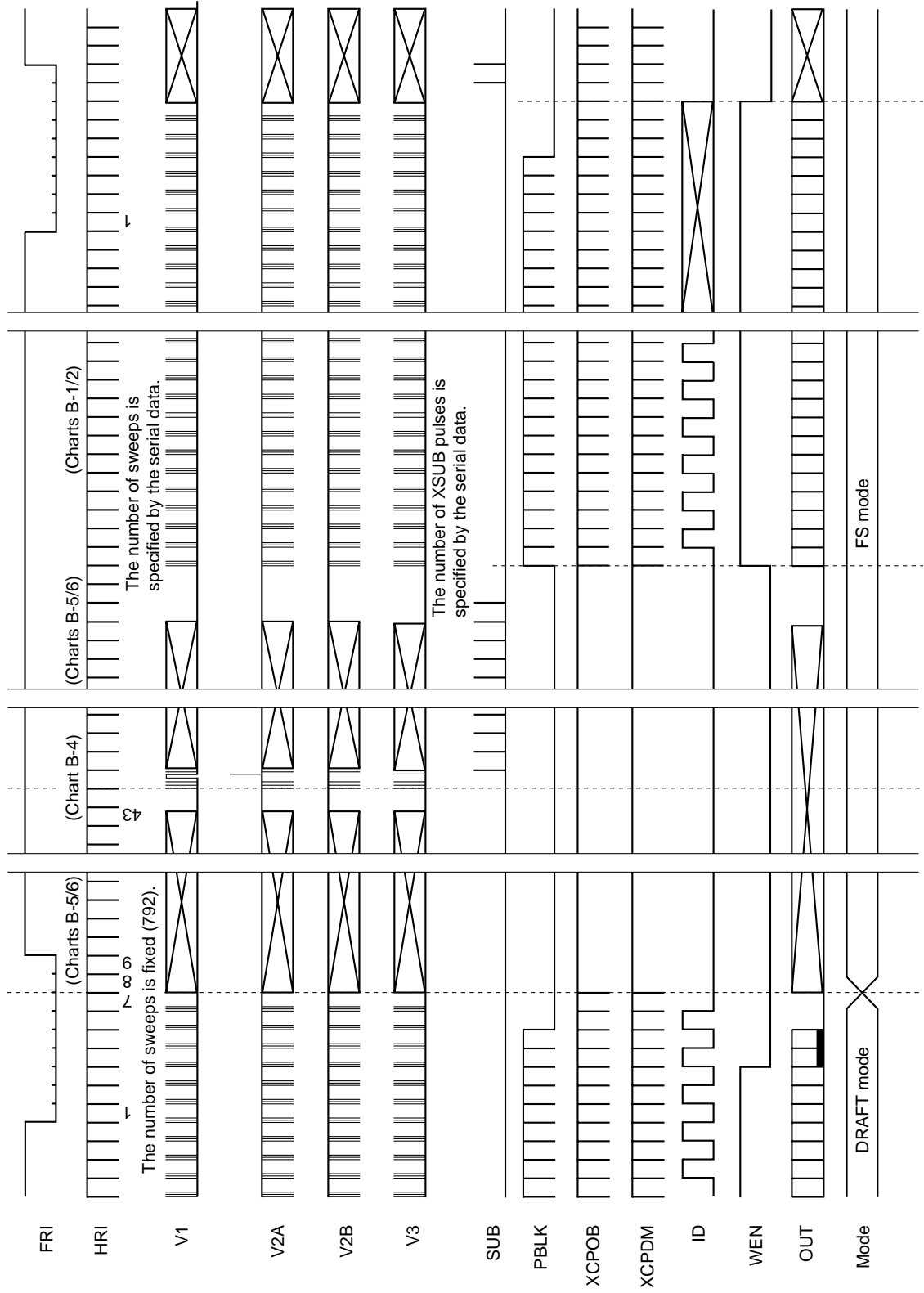


Chart A-3. FS Mode (Vertical synchronization)



The mode is switched at the point where XSG is normally generated.

Chart A-4. FINE Mode (Vertical synchronization) Low-speed electronic shutter

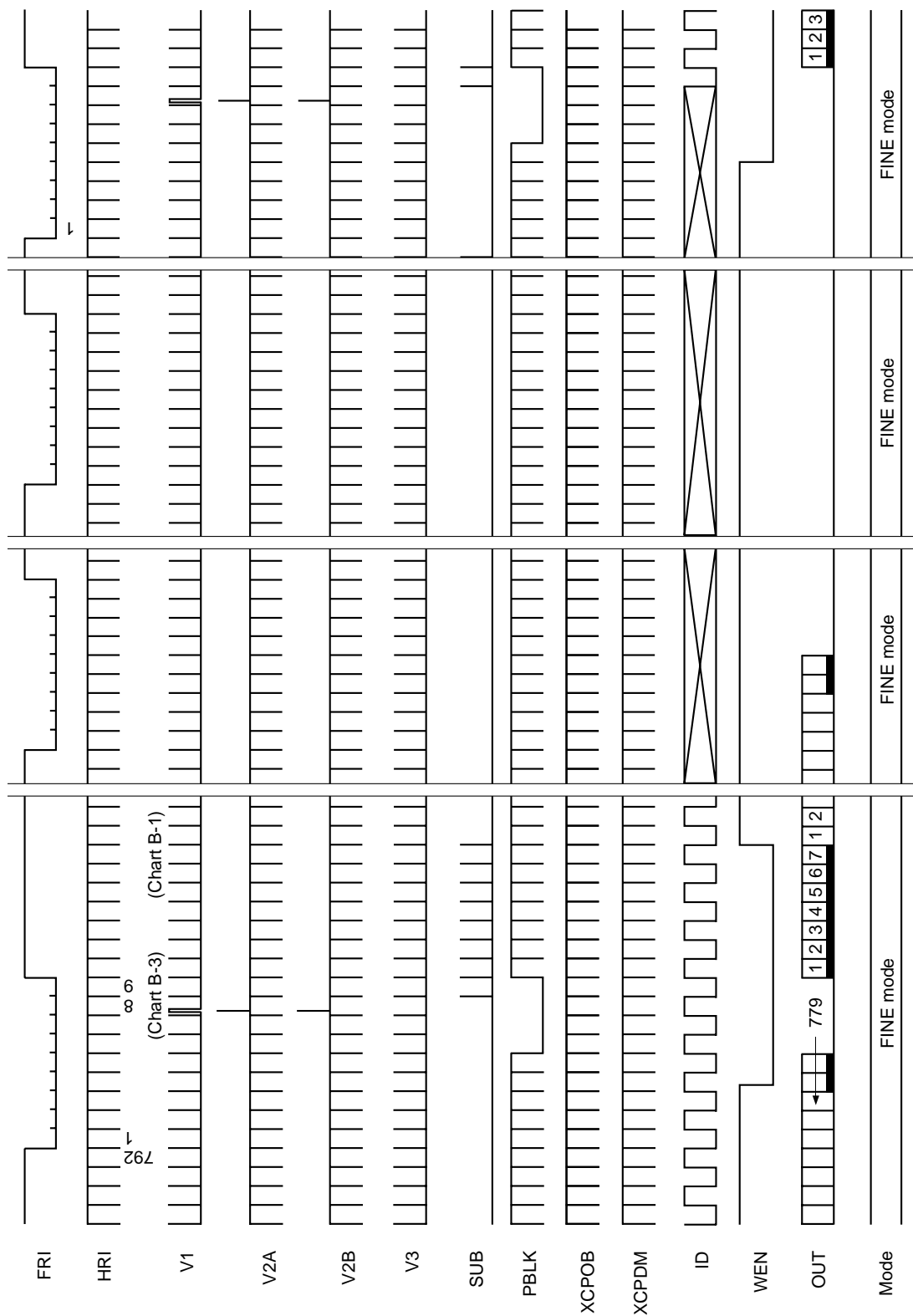


Chart B-1. FINE Mode (Horizontal synchronization)

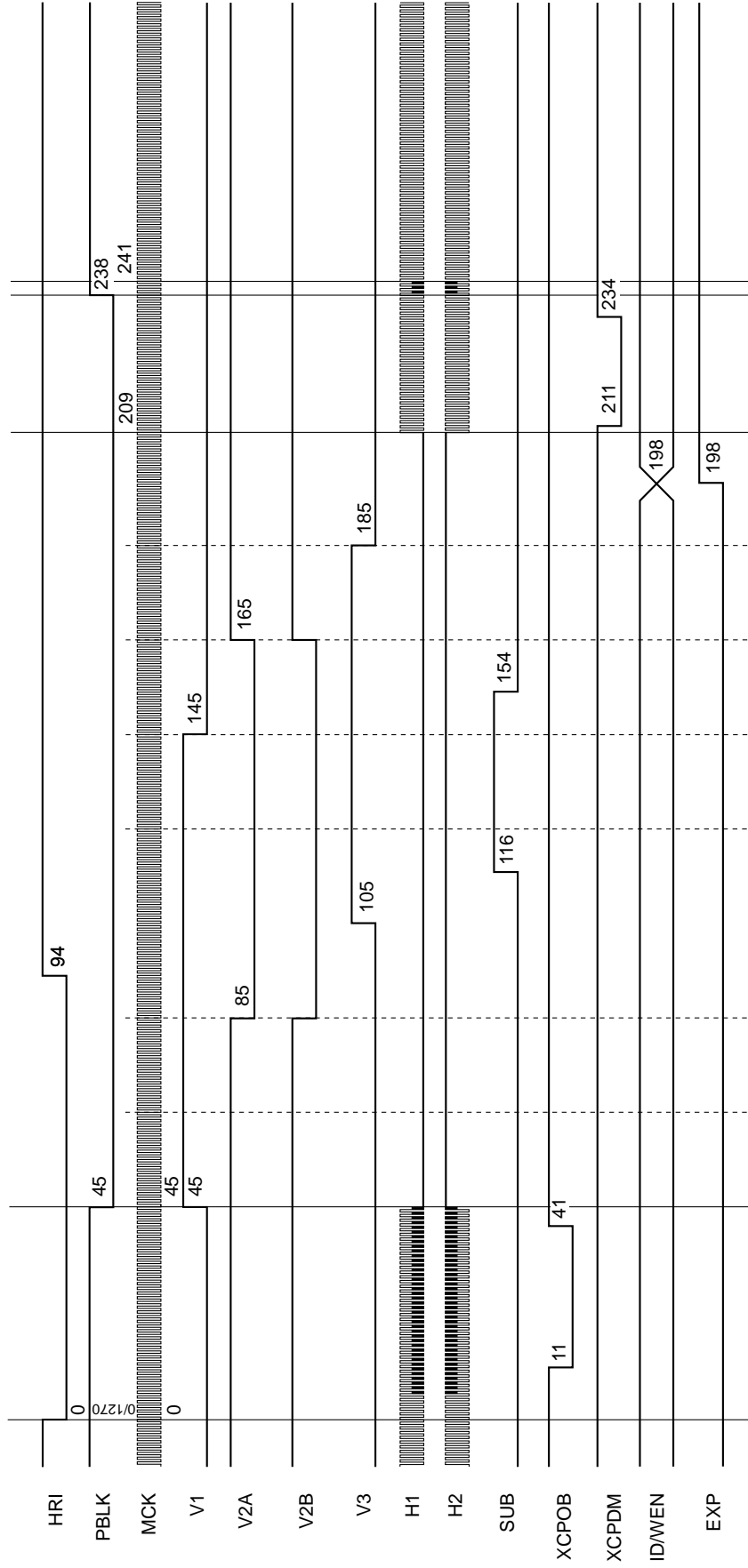


Chart B-2. DRAFT Mode (Horizontal synchronization)

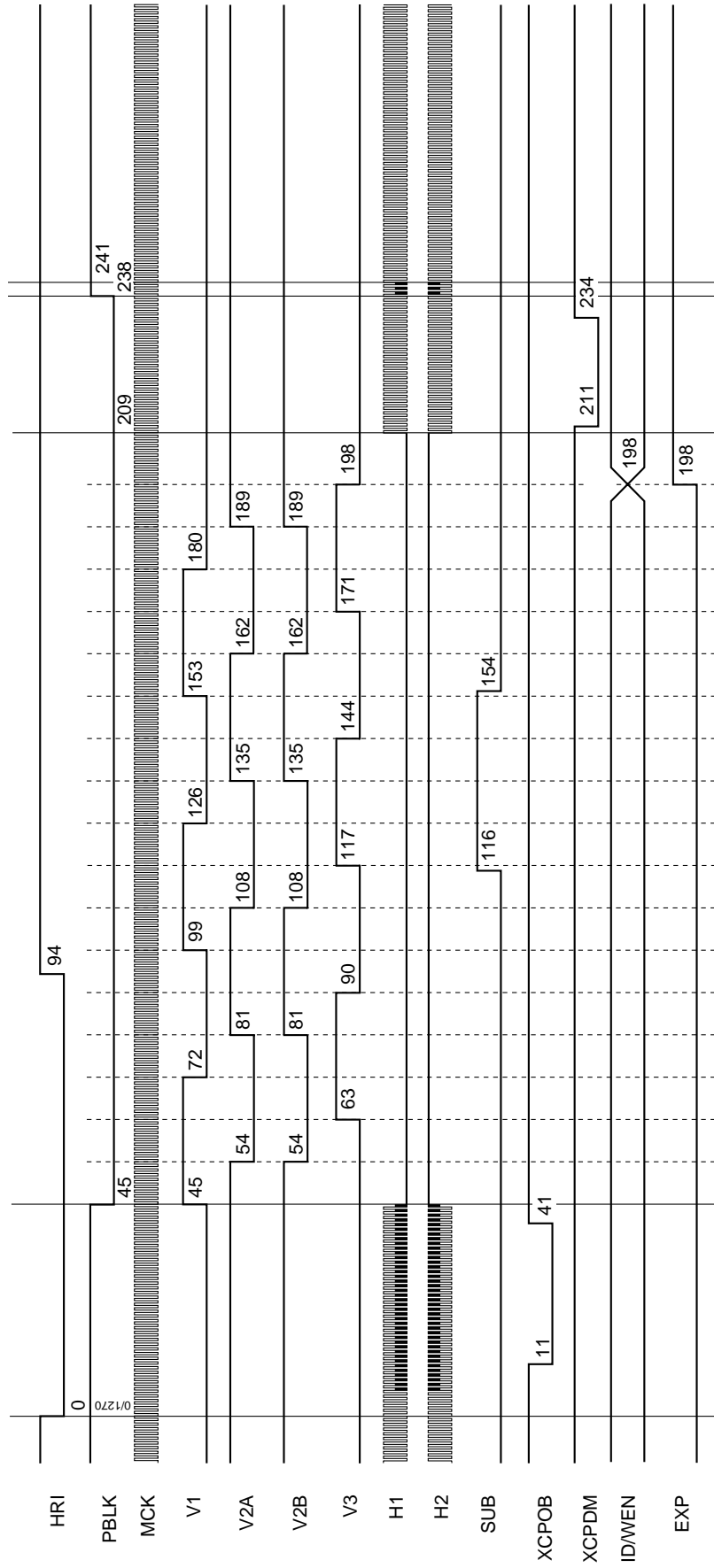


Chart B-3. Readout Timing (FINE mode)

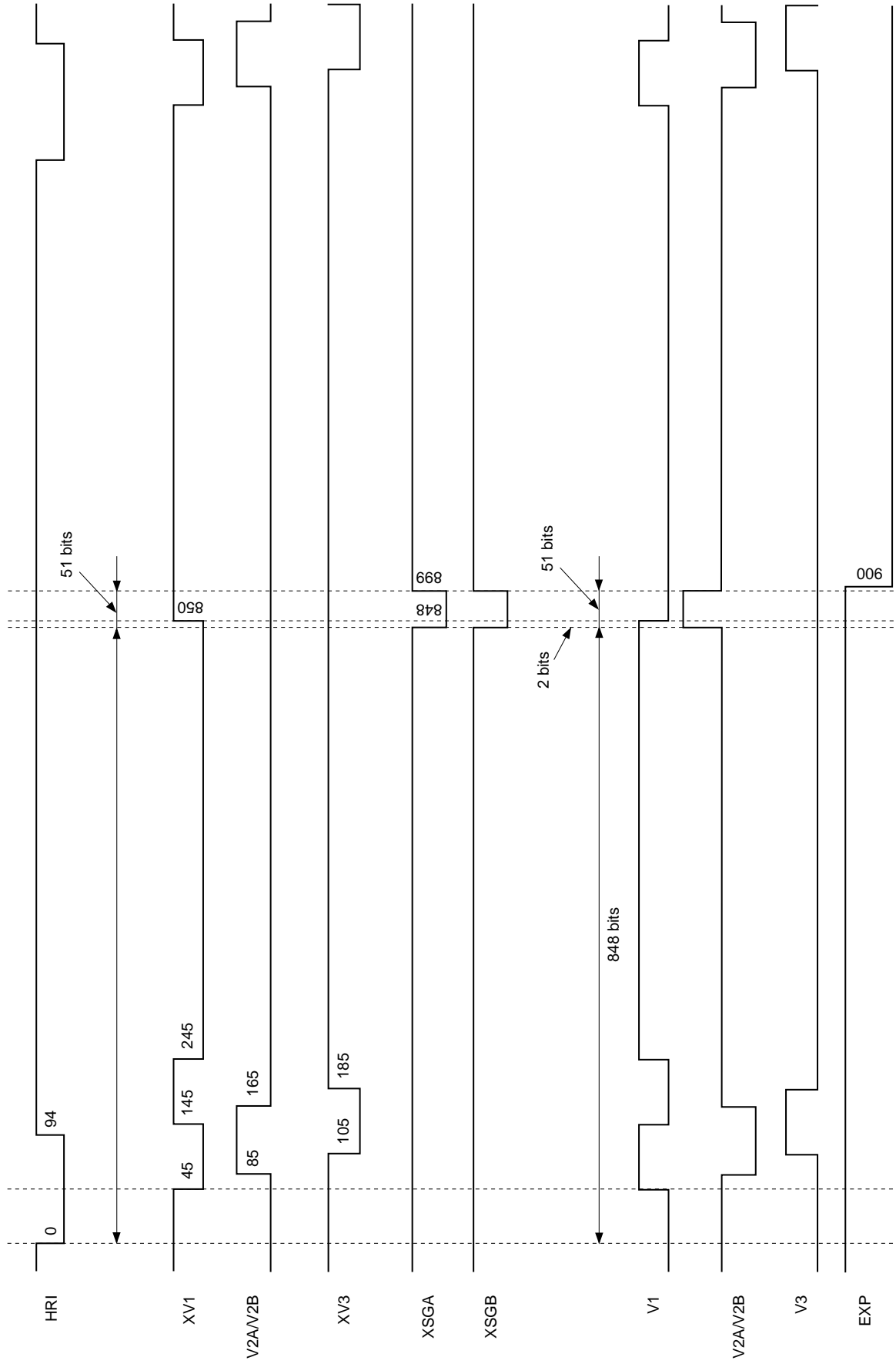


Chart B-4. Readout Timing (DRAFT mode)

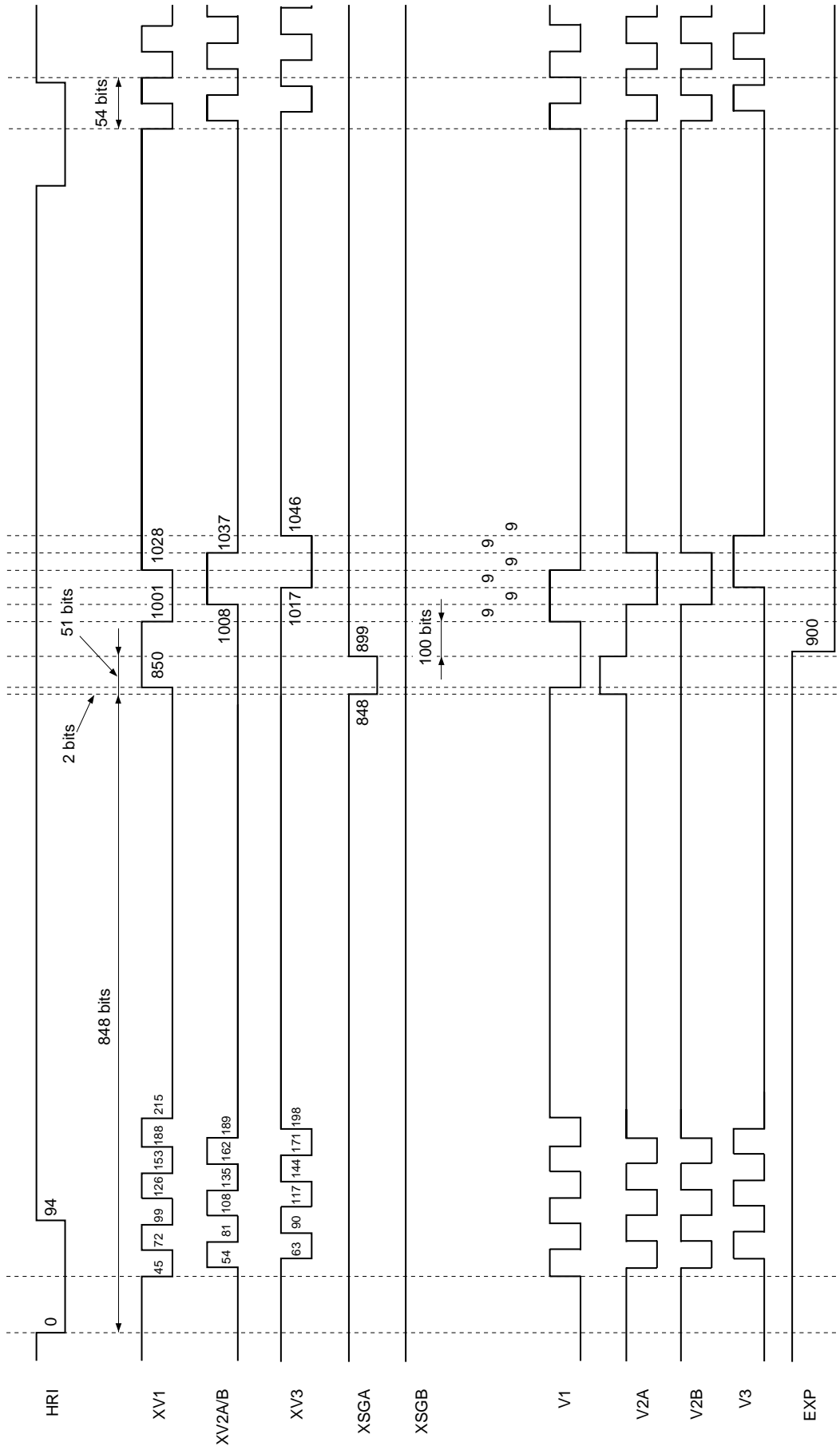


Chart B-5. FS Mode: V clock continuous drive start (Horizontal synchronization)

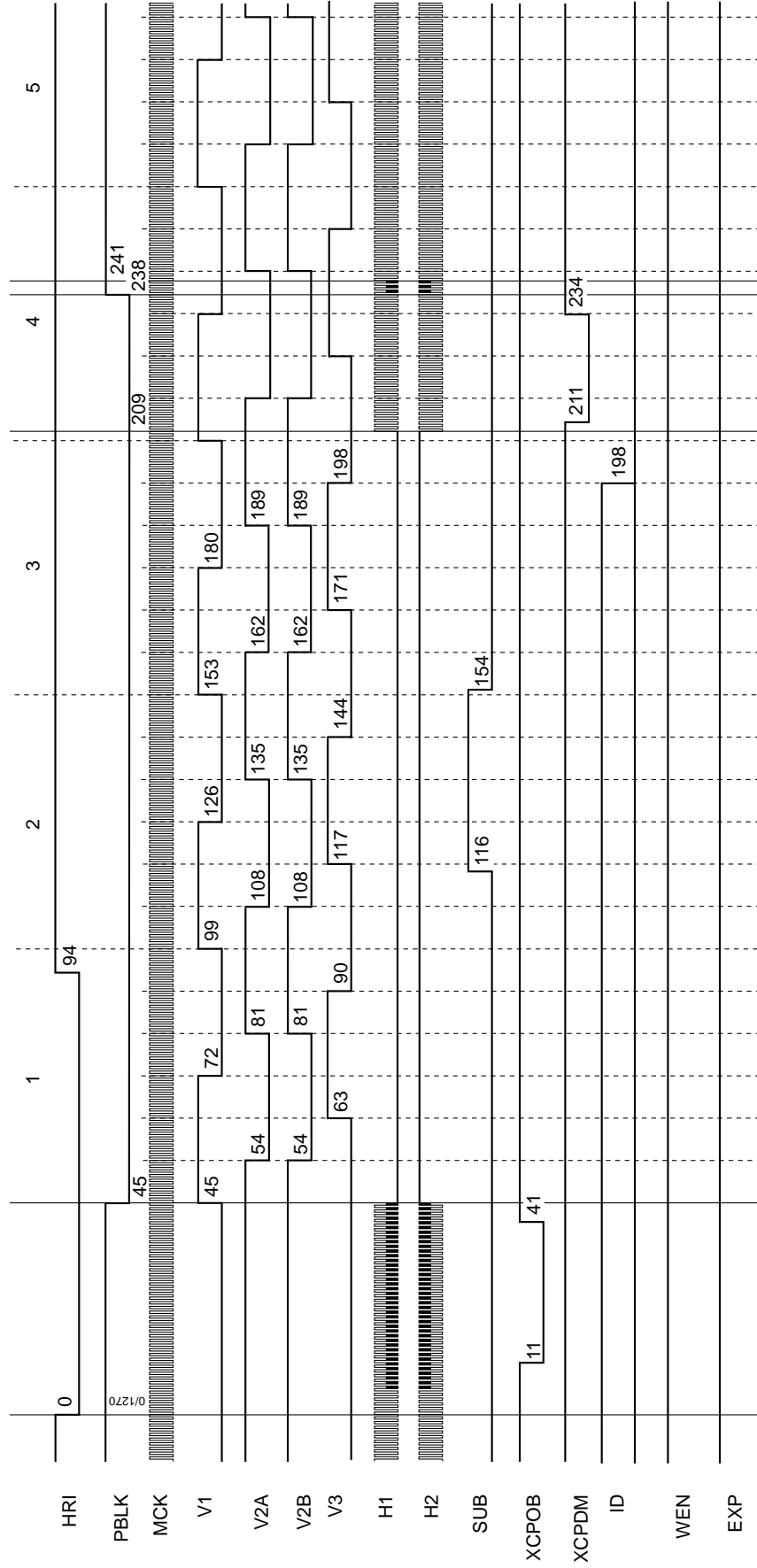
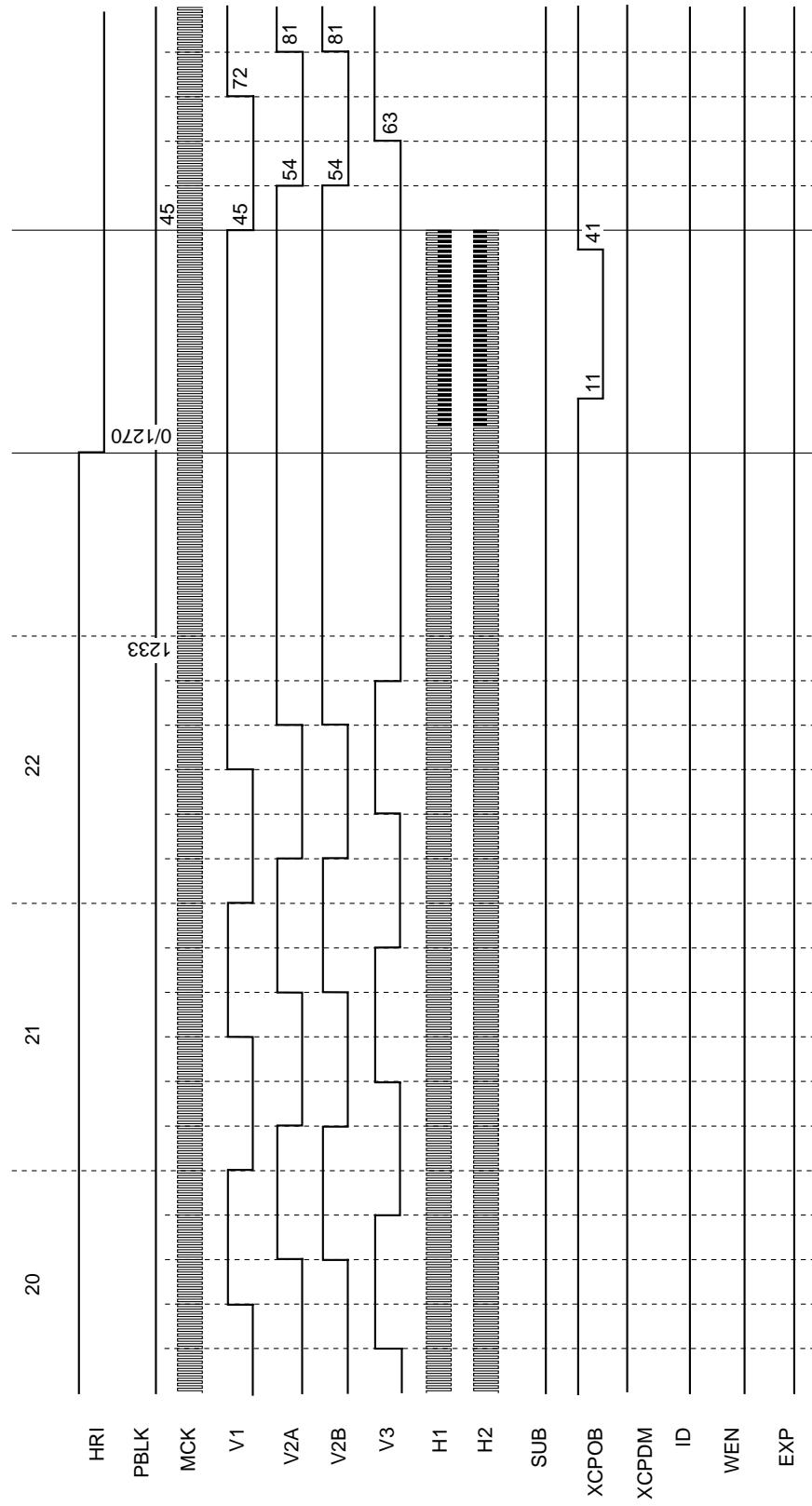
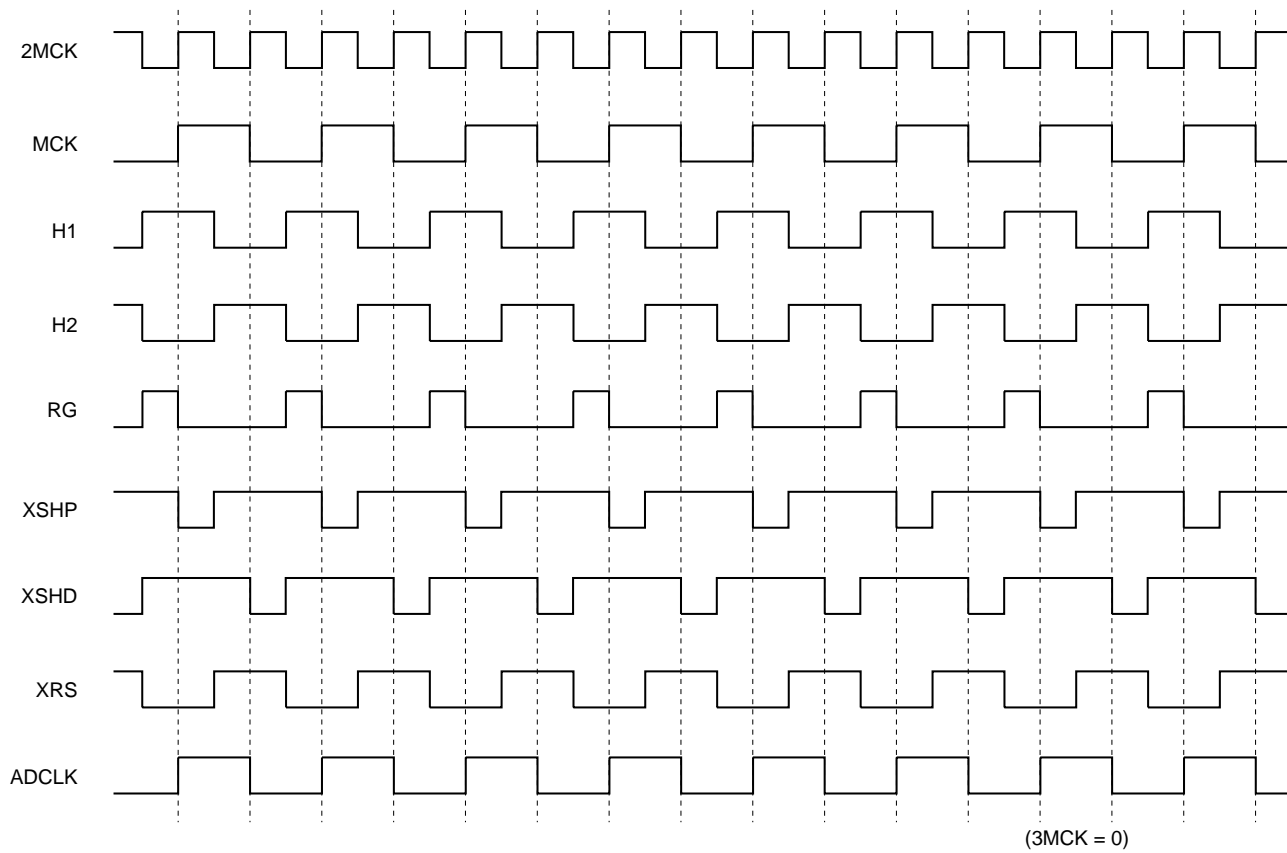


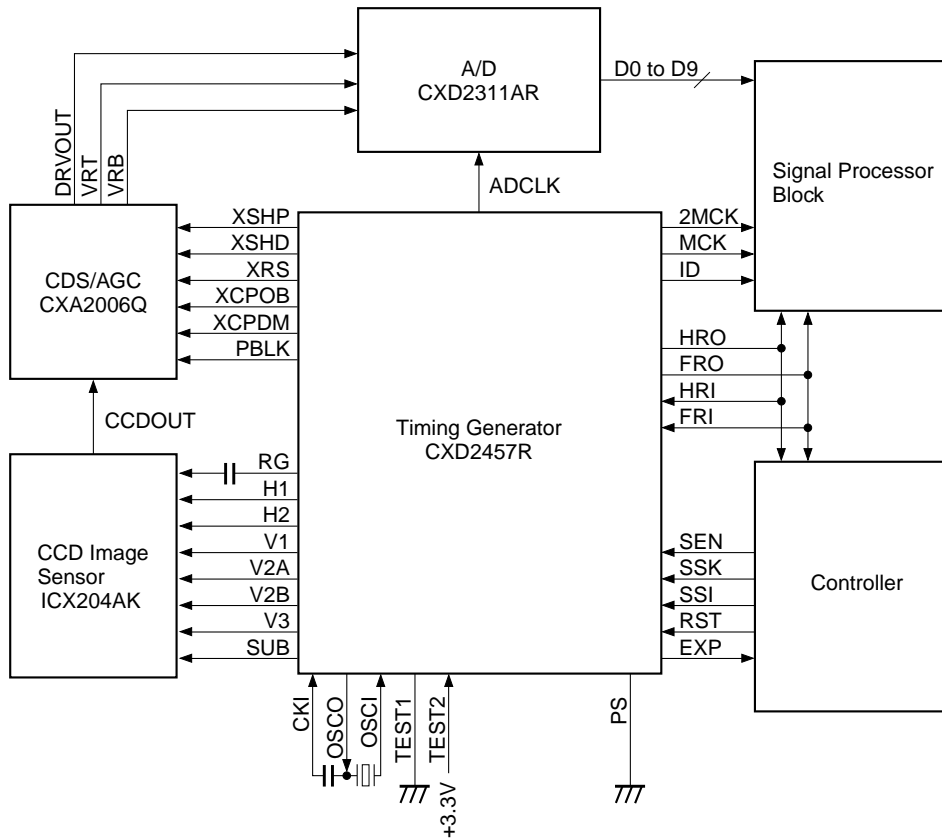
Chart B-6. FS Mode: V clock continuous drive end (Horizontal synchronization)



Logical Phase



Application Circuit

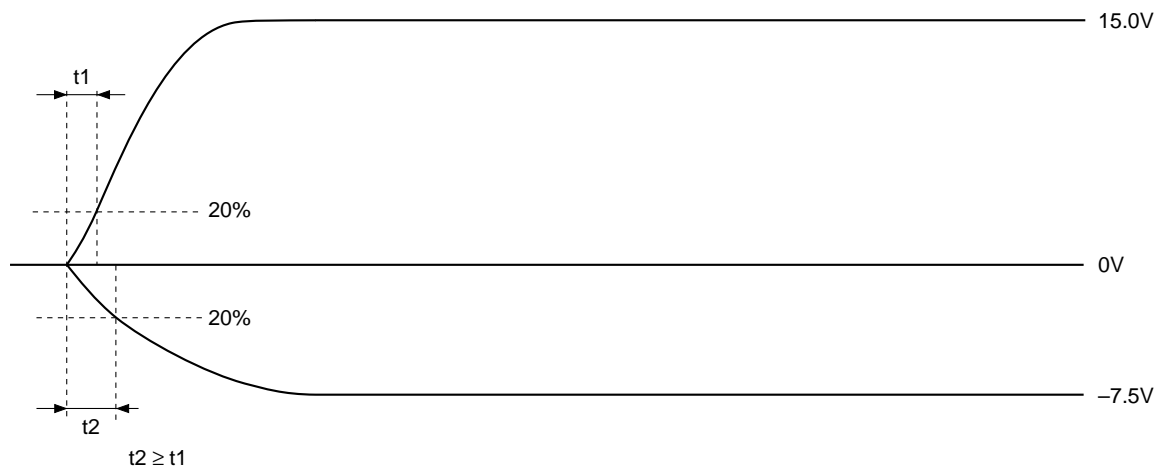


For making FR and HR outside the CXD2457R, configure a circuit that counts MCK. (Using 2MCK, CKO, etc. is not recommended.) Also, set system setting data, SGXEN (D11) to "1" and stop a built-in SSG. Use crystal oscillator (fundamental wave) as base oscillation. Be sure to input duty 50% pulse when crystal oscillator is used.

Application circuits shown are typical examples illustrating the operation of the devices. Sony cannot assume responsibility for any problems arising out of the use of these circuits or for any infringement of third party patent and other right due to same.

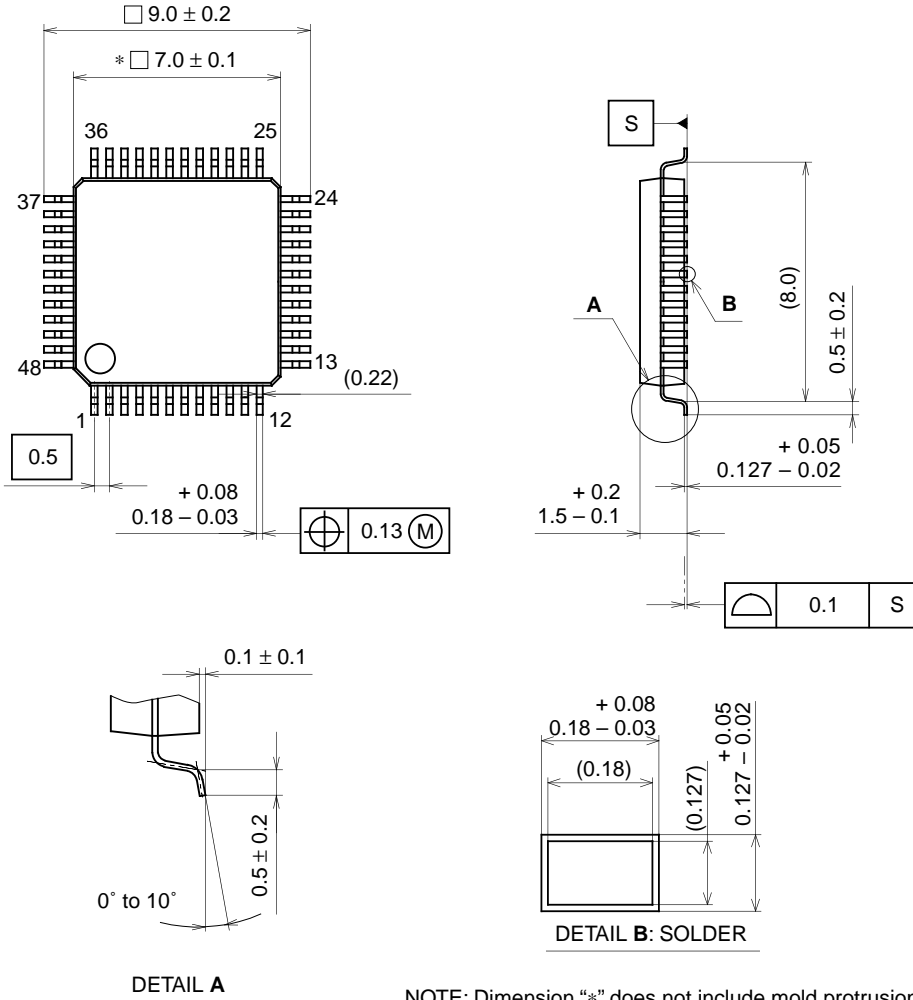
Notes on Turning Power ON

To avoid setting VSUB pin of the CCD image sensor negative potential, the former two power supplies should be raised by the following order among three power supplies, -7.5V, +15.0V and +3.3V.



Package Outline Unit: mm

48PIN LQFP (PLASTIC)



NOTE: Dimension "*" does not include mold protrusion.

PACKAGE STRUCTURE

SONY CODE	LQFP-48P-L01
EIAJ CODE	P-LQFP48-7x7-0.5
JEDEC CODE	_____

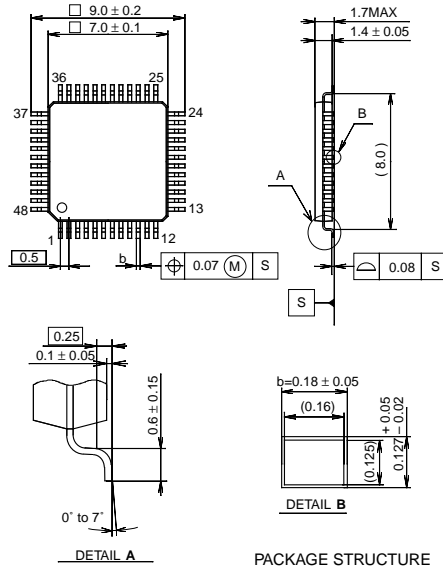
PACKAGE MATERIAL	EPOXY RESIN
LEAD TREATMENT	SOLDER PLATING
LEAD MATERIAL	42/COPPER ALLOY
PACKAGE MASS	0.2g

Package Outline

Unit: mm

Amkor Product

48PIN LQFP (PLASTIC)

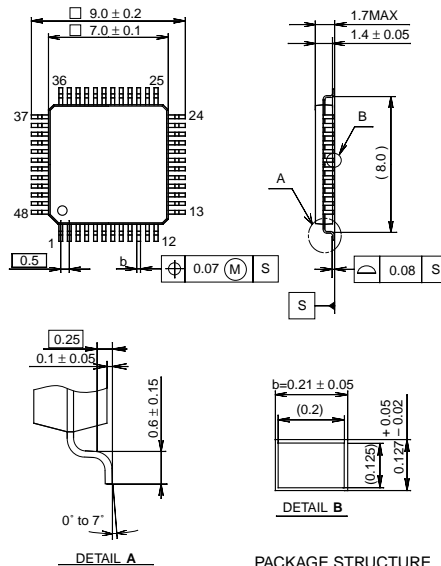


PACKAGE STRUCTURE

SONY CODE	LQFP-48P-L281
EIAJ CODE	P-LQFP48-7X7-0.5
JEDEC CODE	—

PACKAGE MATERIAL	EPOXY RESIN
LEAD TREATMENT	SOLDER PLATING
LEAD MATERIAL	COPPER ALLOY
PACKAGE MASS	0.2g

48PIN LQFP (PLASTIC)



PACKAGE STRUCTURE

SONY CODE	LQFP-48P-L282
EIAJ CODE	P-LQFP48-7X7-0.5
JEDEC CODE	—

PACKAGE MATERIAL	EPOXY RESIN
LEAD TREATMENT	SOLDER PLATING
LEAD MATERIAL	COPPER ALLOY
PACKAGE MASS	0.2g

LEAD SPECIFICATIONS

ITEM	SPEC.
LEAD MATERIAL	COPPER ALLOY
LEAD TREATMENT	Sn-Bi 2.5%
LEAD TREATMENT THICKNESS	5-18 μ m