

COP820C/840C Family

8-Bit CMOS ROM Based Microcontrollers with 1k or 2k Memory

General Description

Note: COP8SA devices are instruction set and pinout compatible supersets of the COP800C Family devices, and are replacements for these in new designs when possible.

The COP820C/840C Family ROM based microcontrollers are integrated COP8™ Base core devices with smaller memory (1k/2k), and fewer on-board features. These single-chip CMOS devices are suited for lower-functionality applications where system cost is of prime consideration. Pin and software compatible (different V_{CC} range) 4k/32k OTP ver-

sions are available (COP87LxxCJ/RJ Family). Erasable windowed versions are available for use with a range of COP8 software and hardware development tools.

Family features include an 8-bit memory mapped architecture, 10 Hz CKI with 1 μ s instruction cycle, one multi-function 16-bit timer/counter with PWM, MICROWIRE/PLUS™ serial I/O, power saving HALT mode, three clock modes, high current outputs, software selectable I/O options, 2.3v-6.0v operation and 20/28 pin packages.

Devices included in this datasheet are:

Device	Memory (bytes)	RAM (bytes)	I/O Pins	Packages	Temperature	Comments
COP620C	1k ROM	64	24	28 DIP/SOIC	-55 to +125°C	4.5v - 5.5v
COP820C	1k ROM	64	24	28 DIP/SOIC	-40 to +85°C	
COP920C	1k ROM	64	24	28 DIP/SOIC	0 to +70°C	2.3v-4.0v, CH=4.0v-6.0v
COP622C	1k ROM	64	16	20 DIP/SOIC	-55 to +125°C	4.5v - 5.5v
COP822C	1k ROM	64	16	20 DIP/SOIC	-40 to +85°C	
COP922C	1k ROM	64	16	20 DIP/SOIC	0 to +70°C	2.3v-4.0v, CH=4.0v-6.0v
COP640C	2k ROM	128	24	28 DIP/SOIC	-55 to +125°C	4.5v - 5.5v
COP840C	2k ROM	128	24	28 DIP/SOIC	-40 to +85°C	
COP940C	2k ROM	128	24	28 DIP/SOIC	0 to +70°C	2.3v-4.0v, CH=4.0v-6.0v
COP642C	2k ROM	128	16	20 DIP/SOIC	-55 to +125°C	4.5v - 5.5v
COP842C	2k ROM	128	16	20 DIP/SOIC	-40 to +85°C	
COP942C	2k ROM	128	16	20 DIP/SOIC	0 to +70°C	2.3v-4.0v, CH=4.0v-6.0v

Key Features

- 16-bit multi-function timer supporting
 - PWM mode
 - External event counter mode
 - Input capture mode
- 1024 bytes ROM/64 bytes RAM-COP820C
- 2048 bytes ROM/128 bytes RAM-COP840C

I/O Features

- Memory mapped I/O
- Software selectable I/O options (TRI-STATE® Output, Push-Pull Output, Weak Pull-Up Input, High Impedance Input)
- High current outputs
- Schmitt trigger inputs on Port G
- MICROWIRE/PLUS serial I/O
- Packages:

- 20 DIP/SO with 16 I/O pins
- 28 DIP/SO with 24 I/O pins

CPU/Instruction Set Feature

- 1 μ s instruction cycle time
- Three multi-source interrupts servicing
 - External interrupt with selectable edge
 - Timer interrupt
 - Software interrupt
- Versatile and easy to use instruction set
- 8-bit Stack point (SP)—stack in RAM
- Two 8-bit Register Indirect Memory Pointers (B, X)

Fully Static CMOS

- Low current drain (typically < 1 μ A)
- Single supply operation: 2.5V to 6.0V

TRI-STATE® is a registered trademark of National Semiconductor Corporation.
COP8™, MICROWIRE™ and MICROWIRE/PLUS™ are trademarks of National Semiconductor Corporation.

Fully Static CMOS (Continued)

■ Real time emulation and full program debug offered by MetaLink's Development System

■ Temperature range: 0°C to +70°C, -40°C to +85°C, -55°C to +125°C

Development Support

■ Emulation and OTP devices

Block Diagram

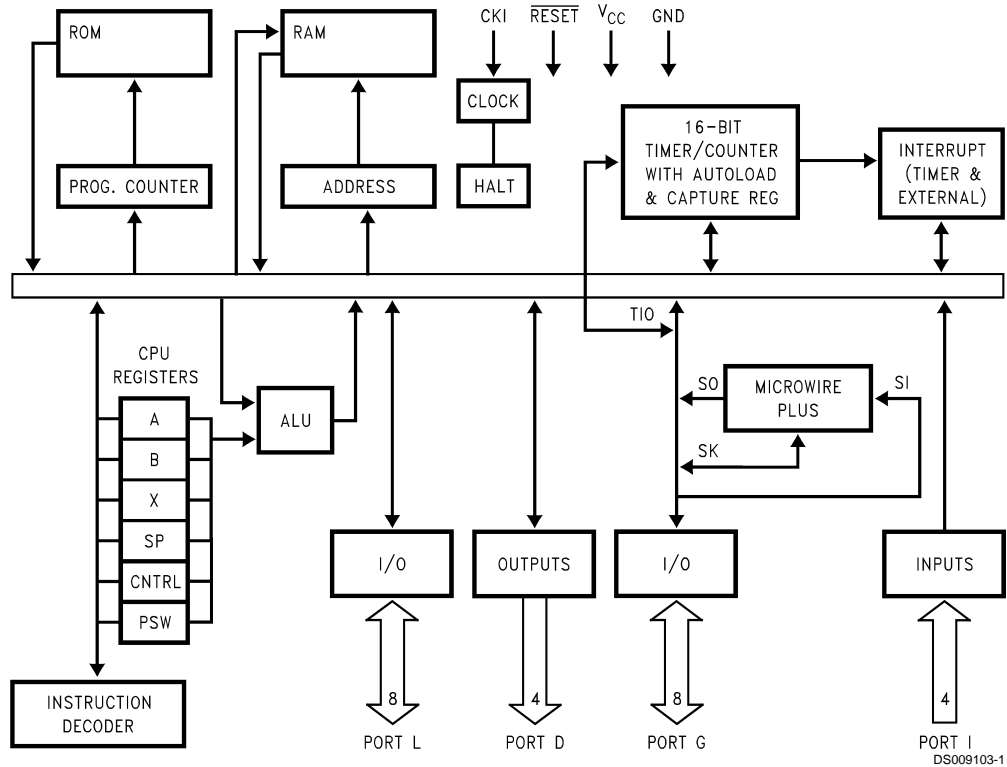


FIGURE 1.

COP920C/COP922C/COP940C/COP942C**Absolute Maximum Ratings** (Note 1)

If Military/Aerospace specified devices are required, please contact the National Semiconductor Sales Office/Distributors for availability and specifications.

Supply Voltage (V_{CC}) 7V
Voltage at any Pin $-0.3V$ to $V_{CC} + 0.3V$

Total Current into V_{CC} Pin (Source) 50 mA
Total Current out of GND Pin (Sink) 60 mA
Storage Temperature Range $-65^{\circ}C$ to $+140^{\circ}C$

Note 1: Absolute maximum ratings indicate limits beyond which damage to the device may occur. DC and AC electrical specifications are not ensured when operating the device at absolute maximum ratings.

DC Electrical Characteristics

COP92XC, COP94XC; $0^{\circ}C \leq T_A \leq +70^{\circ}C$ unless otherwise specified

Parameter	Condition	Min	Typ	Max	Units
Operating Voltage					
COP9XXC		2.3		4.0	V
COP9XXCH		4.0		6.0	V
Power Supply Ripple (Note 2)	Peak to Peak			$0.1 V_{CC}$	V
Supply Current (Note 3)					
CKI = 10 MHz	$V_{CC} = 6V, t_c = 1 \mu s$			6.0	mA
CKI = 4 MHz	$V_{CC} = 6V, t_c = 2.5 \mu s$			4.0	mA
CKI = 4 MHz	$V_{CC} = 4V, t_c = 2.5 \mu s$			2.0	mA
CKI = 1 MHz	$V_{CC} = 4V, t_c = 10 \mu s$			1.2	mA
HALT Current (Note 4)	$V_{CC} = 6V, CKI = 0 MHz$		<0.7	8.0	μA
	$V_{CC} = 4V, CKI = 0 MHz$		<0.4	5.0	μA
Input Levels					
\overline{RESET} , CKI					
Logic High		$0.9 V_{CC}$			V
Logic Low				$0.1 V_{CC}$	V
All Other Inputs					
Logic High		$0.7 V_{CC}$			V
Logic Low				$0.2 V_{CC}$	V
Hi-Z Input Leakage	$V_{CC} = 6.0V$	-1		+1	μA
Input Pullup Current	$V_{CC} = 6.0V, V_{IN} = 0V$	-40		-250	μA
G Port Input Hysteresis				$0.35 V_{CC}$	V
Output Current Levels					
D Outputs					
Source	$V_{CC} = 4.5V, V_{OH} = 3.8V$	-0.4			mA
	$V_{CC} = 2.3V, V_{OH} = 1.6V$	-0.2			mA
Sink	$V_{CC} = 4.5V, V_{OL} = 1.0V$	10			mA
	$V_{CC} = 2.3V, V_{OL} = 0.4V$	2			mA
All Others					
Source (Weak Pull-Up)	$V_{CC} = 4.5V, V_{OH} = 3.2V$	-10		-110	μA
	$V_{CC} = 2.3V, V_{OH} = 1.6V$	-2.5		-33	μA
Source (Push-Pull Mode)	$V_{CC} = 4.5V, V_{OH} = 3.8V$	-0.4			mA
	$V_{CC} = 2.3V, V_{OH} = 1.6V$	-0.2			mA
Sink (Push-Pull Mode)	$V_{CC} = 4.5V, V_{OL} = 0.4V$	1.6			mA
	$V_{CC} = 2.3V, V_{OL} = 0.4V$	0.7			mA
TRI-STATE Leakage	$V_{CC} = 6.0V$	-1.0		+1.0	μA
Allowable Sink/Source Current Per Pin					
D Outputs (Sink)				15	mA
All Others				3	mA
Maximum Input Current (Note 5) Without Latchup (Room Temp)	Room Temp			± 100	mA

DC Electrical Characteristics (Continued)

COP92XC, COP94XC; $0^{\circ}\text{C} \leq T_A \leq +70^{\circ}\text{C}$ unless otherwise specified

Parameter	Condition	Min	Typ	Max	Units
RAM Retention Voltage, V_r	500 ns Rise and Fall Time (Min)	2.0			V
Input Capacitance				7	pF
Load Capacitance on D2				1000	pF

Note 2: Rate of voltage change must be less than 0.5V/ms.

Note 3: Supply current is measured after running 2000 cycles with a square wave CKI input, CKO open, inputs at rails and outputs open.

Note 4: The HALT mode will stop CKI from oscillating in the RC and the Crystal configurations. Test conditions: All inputs tied to V_{CC} , L and G0—G5 configured as outputs and set high. The D port set to zero.

Note 5: Except pin G7: +100 mA, -25 mA (COP920C only). Sampled and not 100% tested. Pins G6 and $\overline{\text{RESET}}$ are designed with a high voltage input network for factory testing. These pins allow input voltages greater than V_{CC} and the pins will have sink current to V_{CC} when biased at voltages greater than V_{CC} (the pins do not have source current when biased at a voltage below V_{CC}). The effective resistance to V_{CC} is 750 Ω (typical). These two pins will not latch up. The voltage at the pins must be limited to less than 14V.

AC Electrical Characteristics

$0^{\circ}\text{C} \leq T_A \leq +70^{\circ}\text{C}$ unless otherwise specified

Parameter	Condition	Min	Typ	Max	Units
Instruction Cycle Time (t_c)					
Ext., Crystal/Resonator	$V_{CC} \geq 4.0\text{V}$	1		DC	μs
(Div-by 10)	$2.3\text{V} \leq V_{CC} \leq 4.0\text{V}$	2.5		DC	μs
R/C Oscillator Mode	$V_{CC} \geq 4.0\text{V}$	3		DC	μs
(Div-by 10)	$2.3\text{V} \leq V_{CC} \leq 4.0\text{V}$	7.5		DC	μs
CKI Clock Duty Cycle (Note 6)	$f_r = \text{Max}$	40		60	%
Rise Time (Note 6)	$f_r = 10\text{ MHz Ext Clock}$			12	ns
Fall Time (Note 6)	$f_r = 10\text{ MHz Ext Clock}$			8	ns
Inputs					
t_{SETUP}	$V_{CC} \geq 4.0\text{V}$	200			ns
	$2.3\text{V} \leq V_{CC} \leq 4.0\text{V}$	500			ns
t_{HOLD}	$V_{CC} \geq 4.0\text{V}$	60			ns
	$2.3\text{V} \leq V_{CC} \leq 4.0\text{V}$	150			ns
Output Propagation Delay	$C_L = 100\text{ pF}, R_L = 2.2\text{ k}\Omega$				
$t_{\text{PD1}}, t_{\text{PD0}}$	$V_{CC} \geq 4.0\text{V}$			0.7	μs
SO, SK	$2.5\text{V} \leq V_{CC} \leq 4.0\text{V}$			1.75	μs
All Others	$V_{CC} \geq 4.0\text{V}$			1	μs
	$2.5\text{V} \leq V_{CC} \leq 4.0\text{V}$			2.5	μs
MICROWIRE™ Setup Time (t_{UWS})		20			ns
MICROWIRE Hold Time (t_{UWH})		56			ns
MICROWIRE Output Propagation Delay (t_{UPD})				220	ns
Input Pulse Width					
Interrupt Input High Time		t_c			
Interrupt Input Low Time		t_c			
Timer Input High Time		t_c			
Timer Input Low Time		t_c			
Reset Pulse Width		1.0			μs

Note 6: Parameter sampled (not 100% tested).

COP820C/COP822C/COP840C/COP842C**Absolute Maximum Ratings** (Note 7)

If Military/Aerospace specified devices are required, please contact the National Semiconductor Sales Office/Distributors for availability and specifications.

Supply Voltage (V_{CC}) 7V
Voltage at any Pin $-0.3V$ to $V_{CC} + 0.3V$

Total Current into V_{CC} Pin (Source) 50 mA
Total Current out of GND Pin (Sink) 60 mA
Storage Temperature Range $-65^{\circ}C$ to $+140^{\circ}C$

Note 7: Absolute maximum ratings indicate limits beyond which damage to the device may occur. DC and AC electrical specifications are not ensured when operating the device at absolute maximum ratings.

DC Electrical Characteristics

COP82XC, COP84XC; $-40^{\circ}C \leq T_A \leq +85^{\circ}C$ unless otherwise specified

Parameter	Condition	Min	Typ	Max	Units
Operating Voltage		2.5		6.0	V
Power Supply Ripple (Note 8)	Peak to Peak			$0.1 V_{CC}$	V
Supply Current (Note 9)					
CKI = 10 MHz	$V_{CC} = 6V$, $t_c = 1 \mu s$			6.0	mA
CKI = 4 MHz	$V_{CC} = 6V$, $t_c = 2.5 \mu s$			4.0	mA
CKI = 4 MHz	$V_{CC} = 4.0V$, $t_c = 2.5 \mu s$			2.0	mA
CKI = 1 MHz	$V_{CC} = 4.0V$, $t_c = 10 \mu s$			1.2	mA
HALT Current (Note 10)	$V_{CC} = 6V$, CKI = 0 MHz		<1	10	μA
Input Levels					
\overline{RESET} , CKI					
Logic High		$0.9 V_{CC}$			V
Logic Low				$0.1 V_{CC}$	V
All Other Inputs					
Logic High		$0.7 V_{CC}$			V
Logic Low				$0.2 V_{CC}$	V
Hi-Z Input Leakage	$V_{CC} = 6.0V$	-2		+2	μA
Input Pullup Current	$V_{CC} = 6.0V$, $V_{IN} = 0V$	-40		-250	μA
G Port Input Hysteresis				$0.35 V_{CC}$	V
Output Current Levels					
D Outputs					
Source	$V_{CC} = 4.5V$, $V_{OH} = 3.8V$	-0.4			mA
	$V_{CC} = 2.5V$, $V_{OH} = 1.8V$	-0.2			mA
Sink	$V_{CC} = 4.5V$, $V_{OL} = 1.0V$	10			mA
	$V_{CC} = 2.5V$, $V_{OL} = 0.4V$	2			mA
All Others					
Source (Weak Pull-Up)	$V_{CC} = 4.5V$, $V_{OH} = 3.2V$	-10		-110	μA
	$V_{CC} = 2.5V$, $V_{OH} = 1.8V$	-2.5		-33	μA
Source (Push-Pull Mode)	$V_{CC} = 4.5V$, $V_{OH} = 3.8V$	-0.4			mA
	$V_{CC} = 2.5V$, $V_{OH} = 1.8V$	-0.2			mA
Sink (Push-Pull Mode)	$V_{CC} = 4.5V$, $V_{OL} = 0.4V$	1.6			mA
	$V_{CC} = 2.5V$, $V_{OL} = 0.4V$	0.7			mA
TRI-STATE Leakage		-2.0		+2.0	μA
Allowable Sink/Source Current Per Pin					
D Outputs (Sink)				15	mA
All Others				3	mA
Maximum Input Current (Note 11) Without Latchup (Room Temp)	Room Temp			± 100	mA
RAM Retention Voltage, V_r	500 ns Rise and Fall Time (Min)	2.0			V
Input Capacitance				7	pF

DC Electrical Characteristics (Continued)

COP82XC, COP84XC; $-40^{\circ}\text{C} \leq T_A \leq +85^{\circ}\text{C}$ unless otherwise specified

Parameter	Condition	Min	Typ	Max	Units
Load Capacitance on D2				1000	pF

Note 8: Rate of voltage change must be less than 0.5V/ms.

Note 9: Supply current is measured after running 2000 cycles with a square wave CKI input, CKO open, inputs at rails and outputs open.

Note 10: The HALT mode will stop CKI from oscillating in the RC and the Crystal configurations. Test conditions: All inputs tied to V_{CC} , L and G0—G5 configured as outputs and set high. The D port set to zero.

Note 11: Except pin G7: +100 mA, -25 mA (COP820C only). Sampled and not 100% tested. Pins G6 and $\overline{\text{RESET}}$ are designed with a high voltage input network for factory testing. These pins allow input voltages greater than V_{CC} and the pins will have sink current to V_{CC} when biased at voltages greater than V_{CC} (the pins do not have source current when biased at a voltage below V_{CC}). The effective resistance to V_{CC} is 750 Ω (typical). These two pins will not latch up. The voltage at the pins must be limited to less than 14V.

AC Electrical Characteristics

$-40^{\circ}\text{C} \leq T_A \leq +85^{\circ}\text{C}$ unless otherwise specified

Parameter	Condition	Min	Typ	Max	Units
Instruction Cycle Time (t_c)					
Ext. or Crystal/Resonator (Div-by 10)	$V_{CC} \geq 4.5\text{V}$	1		DC	μs
	$2.5\text{V} \leq V_{CC} < 4.5\text{V}$	2.5		DC	μs
R/C Oscillator Mode (Div-by 10)	$V_{CC} \geq 4.5\text{V}$	3		DC	μs
	$2.5\text{V} \leq V_{CC} < 4.5\text{V}$	7.5		DC	μs
CKI Clock Duty Cycle (Note 12)	fr = Max	40		60	%
Rise Time (Note 12)	fr = 10 MHz Ext Clock			12	ns
Fall Time (Note 12)	fr = 10 MHz Ext Clock			8	ns
Inputs					
t_{SETUP}	$V_{CC} \geq 4.5\text{V}$	200			ns
	$2.5\text{V} \leq V_{CC} < 4.5\text{V}$	500			ns
t_{HOLD}	$V_{CC} \geq 4.5\text{V}$	60			ns
	$2.5\text{V} \leq V_{CC} < 4.5\text{V}$	150			ns
Output Propagation Delay	$C_L = 100\text{ pF}, R_L = 2.2\text{ k}\Omega$				
$t_{\text{PD1}}, t_{\text{PD0}}$ SO, SK	$V_{CC} \geq 4.5\text{V}$			0.7	μs
	$2.5\text{V} \leq V_{CC} < 4.5\text{V}$			1.75	μs
All Others	$V_{CC} \geq 4.5\text{V}$			1	μs
	$2.5\text{V} \leq V_{CC} < 4.5\text{V}$			2.5	μs
MICROWIRE Setup Time (t_{UWS})		20			ns
MICROWIRE Hold Time (t_{UWH})		56			ns
MICROWIRE Output Propagation Delay (t_{UPD})				220	ns
Input Pulse Width					
Interrupt Input High Time		t_c			
Interrupt Input Low Time		t_c			
Timer Input High Time		t_c			
Timer Input Low Time		t_c			
Reset Pulse Width		1.0			μs

Note 12: Parameter sampled (not 100% tested).

Timing Diagram

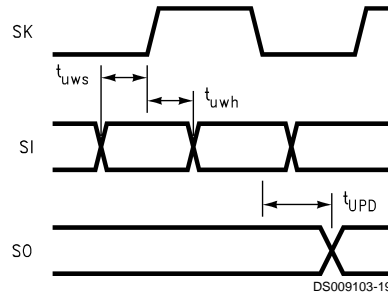


FIGURE 2. MICROWIRE/PLUS Timing

DS009103-19

COP620C/COP622C/COP640C/COP642C**Absolute Maximum Ratings** (Note 13)

If Military/Aerospace specified devices are required, please contact the National Semiconductor Sales Office/Distributors for availability and specifications.

Supply Voltage (V_{CC}) 6V
Voltage at any Pin $-0.3V$ to $V_{CC} + 0.3V$

Total Current into V_{CC} Pin (Source) 40 mA
Total Current out of GND Pin (Sink) 48 mA
Storage Temperature Range $-65^{\circ}C$ to $+140^{\circ}C$

Note 13: Absolute maximum ratings indicate limits beyond which damage to the device may occur. DC and AC electrical specifications are not ensured when operating the device at absolute maximum ratings.

DC Electrical Characteristics

COP62XC, COP64XC; $-55^{\circ}C \leq T_A \leq +125^{\circ}C$ unless otherwise specified

Parameter	Condition	Min	Typ	Max	Units
Operating Voltage		4.5		5.5	V
Power Supply Ripple (Note 14)	Peak to Peak			$0.1 V_{CC}$	V
Supply Current (Note 15)					
CKI = 10 MHz	$V_{CC} = 5.5V$, $t_c = 1 \mu s$			6.0	mA
CKI = 4 MHz	$V_{CC} = 5.5V$, $t_c = 2.5 \mu s$			4	mA
HALT Current (Note 16)	$V_{CC} = 5.5V$, CKI = 0 MHz		<10	30	μA
Input Levels					
RESET, CKI					
Logic High		$0.9 V_{CC}$			V
Logic Low				$0.1 V_{CC}$	V
All Other Inputs					
Logic High		$0.7 V_{CC}$			V
Logic Low				$0.2 V_{CC}$	V
Hi-Z Input Leakage	$V_{CC} = 5.5V$	-5		+5	μA
Input Pullup Current	$V_{CC} = 4.5V$, $V_{IN} = 0V$	-35		-300	μA
G Port Input Hysteresis				$0.35 V_{CC}$	V
Output Current Levels					
D Outputs					
Source	$V_{CC} = 4.5V$, $V_{OH} = 3.8V$	-0.35			mA
Sink	$V_{CC} = 4.5V$, $V_{OL} = 1.0V$	9			mA
All Others					
Source (Weak Pull-Up)	$V_{CC} = 4.5V$, $V_{OH} = 3.2V$	-9		-120	μA
Source (Push-Pull Mode)	$V_{CC} = 4.5V$, $V_{OH} = 3.8V$	-0.35			mA
Sink (Push-Pull Mode)	$V_{CC} = 4.5V$, $V_{OL} = 0.4V$	1.4			mA
TRI-STATE Leakage		-5.0		+5.0	μA
Allowable Sink/Source Current Per Pin					
D Outputs (Sink)				12	mA
All Others				2.5	mA
Maximum Input Current (Room Temp) Without Latchup (Note 18)	Room Temp			± 100	mA
RAM Retention Voltage, Vr	500 ns Rise and Fall Time (Min)	2.5			V
Input Capacitance				7	pF
Load Capacitance on D2				1000	pF

Note 14: Rate of voltage change must be less than 0.5V/ms.

Note 15: Supply current is measured after running 2000 cycles with a square wave CKI input, CKO open, inputs at rails and outputs open.

Note 16: The HALT mode will stop CKI from oscillating in the RC and the Crystal configurations. Test conditions: All inputs tied to V_{CC} , L and G0—G5 configured as outputs and set high. The D port set to zero.

Note 17: Except pin G7: +100 mA, -25 mA (COP620C only). Sampled and not 100% tested. Pins G6 and RESET are designed with a high voltage input network for factory testing. These pins allow input voltages greater than V_{CC} and the pins will have sink current to V_{CC} when biased at voltages greater than V_{CC} (the pins do not have source current when biased at a voltage below V_{CC}). The effective resistance to V_{CC} is 750Ω (typical). These two pins will not latch up. The voltage at the pins must be limited to less than 14V.

AC Electrical Characteristics

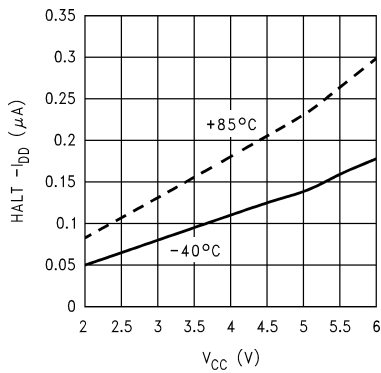
-55°C ≤ T_A ≤ +125°C unless otherwise specified

Parameter	Condition	Min	Typ	Max	Units
Instruction Cycle Time (t _c) Ext. or Crystal/Resonant (Div-by 10)	V _{CC} ≥ 4.5V	1		DC	μs
CKI Clock Duty Cycle (Note 18)	fr = Max	40		60	%
Rise Time (Note 18)	fr = 10 MHz Ext Clock			12	ns
Fall Time (Note 18)	fr = 10 MHz Ext Clock			8	ns
Inputs					
t _{SETUP}	V _{CC} ≥ 4.5V	220			ns
t _{HOLD}	V _{CC} ≥ 4.5V	66			ns
Output Propagation Delay	R _L = 2.2k, C _L = 100 pF				
t _{PD1} , t _{PD0}					
SO, SK	V _{CC} ≥ 4.5V			0.8	μs
All Others	V _{CC} ≥ 4.5V			1.1	μs
MICROWIRE Setup Time (t _{UWS})		20			ns
MICROWIRE Hold Time (t _{UWH})		56			ns
MICROWIRE Output Valid Time (t _{UPD})				220	ns
Input Pulse Width					
Interrupt Input High Time		t _c			
Interrupt Input Low Time		t _c			
Timer Input High Time		t _c			
Timer Input Low Time		t _c			
Reset Pulse Width		1			μs

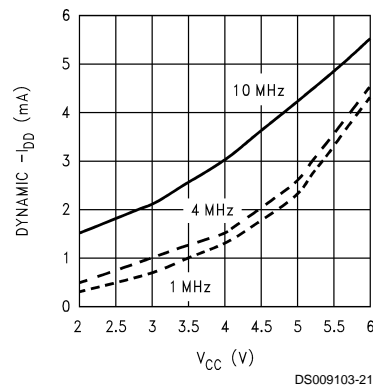
Note 18: Parameter sampled (not 100% tested).

Typical Performance Characteristics (-40°C ≤ T_A ≤ +85°C)

Halt—I_{DD}

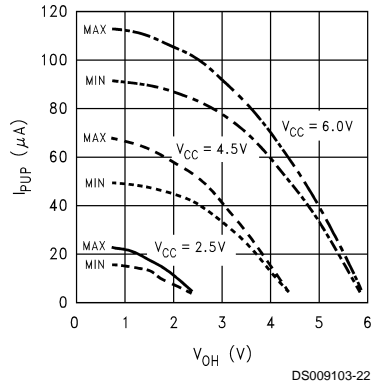


Dynamic—I_{DD} (Crystal Clock Option)

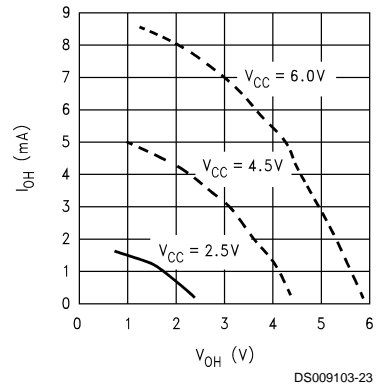


Typical Performance Characteristics $(-40^{\circ}\text{C} \leq T_A \leq +85^{\circ}\text{C})$ (Continued)

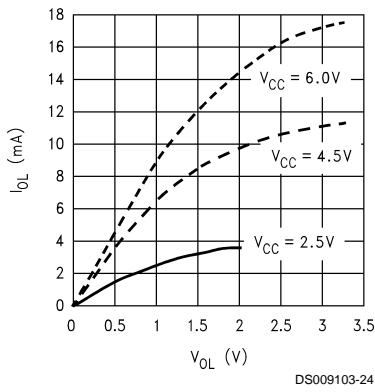
Port L/G Weak Pull-Up Source Current



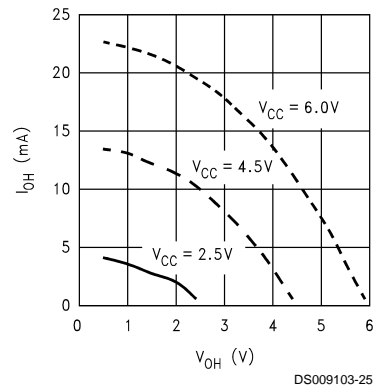
Port L/G Push-Pull Source Current



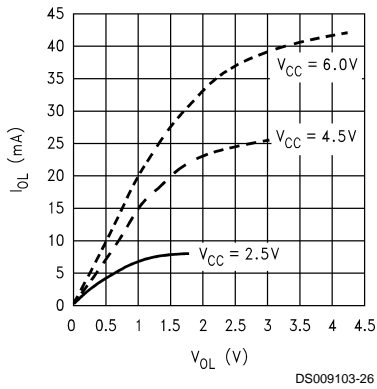
Port L/G Push-Pull Sink Current



Port D Source Current

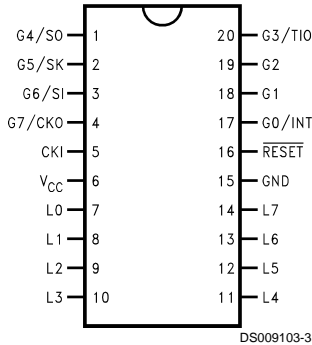


Port D Sink Current



Connection Diagrams

DUAL-IN-LINE PACKAGE 20 DIP

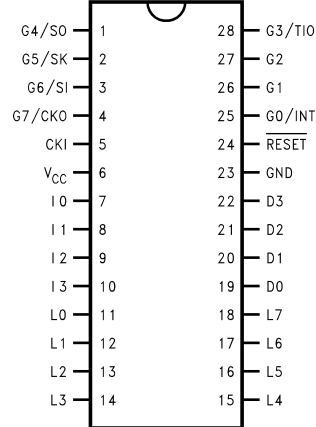


DS009103-3

Top View

Order Number COP622C-XXX/N,
COP642C-XXX/N, COP822C-XXX/N,
COP842C-XXX/N, COP922C-XXX/N,
COP942C-XXX/N, COP922CH-XXX/N or
COP942CH-XXX/N
See NS Package Number N20A

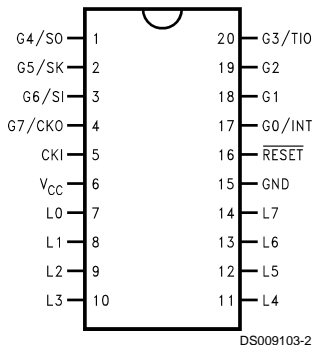
28 DIP



DS009103-5

Order Number COP620C-XXX/N,
COP640C-XXX/N, COP820C-XXX/N,
COP840C-XXX/D, COP920C-XXX/N,
COP940C-XXX/N,
COP920CH-XXX/N or
COP940CH-XXX/N
See NS Package Number N28B

SURFACE MOUNT 20 SO Wide

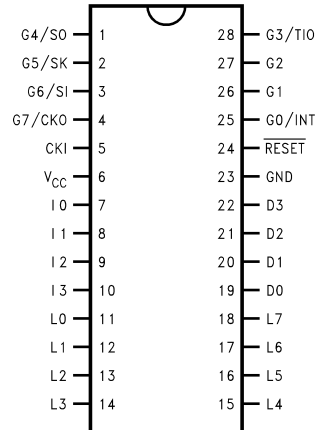


DS009103-2

Top View

Order Number COP822C-XXX/WM,
COP842C-XXX/WM, COP922C-XXX/WM,
COP942C-XXX/WM,
COP922CH-XXX/WM or
COP942CH-XXX/WM
See NS Package Number M20B

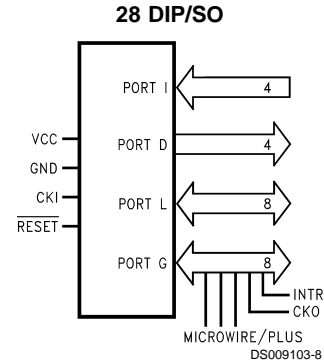
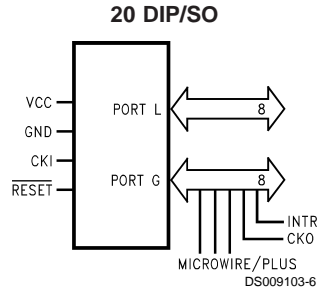
28-Lead SO



DS009103-18

Order Number COP820C-XXX/WM,
COP840C-XXX/WM,
COP920C-XXX/WM,
COP940C-XXX/WM,
COP920CH-XXX/WM or
COP940CH-XXX/WM
See NS Package Number M28B

Connection Diagrams (Continued)



Pin Descriptions

V_{CC} and GND are the power supply pins.

CKI is the clock input. This can come from an external source, a R/C generated oscillator or a crystal (in conjunction with CKO). See Oscillator description.

$\overline{\text{RESET}}$ is the master reset input. See Reset description.

PORT I is a four bit Hi-Z input port.

PORT L is an 8-bit I/O port.

There are two registers associated with each L I/O port: a data register and a configuration register. Therefore, each L I/O bit can be individually configured under software control as shown below:

Port L Config.	Port L Data	Port L Setup
0	0	Hi-Z Input (TRI-STATE)
0	1	Input With Weak Pull-Up
1	0	Push-Pull "0" Output
1	1	Push-Pull "1" Output

Three data memory address locations are allocated for these ports, one for data register, one for configuration register and one for the input pins.

PORT G is an 8-bit port with 6 I/O pins (G0–G5) and 2 input pins (G6, G7). All eight G-pins have Schmitt Triggers on the inputs. The G7 pin functions as an input pin under normal operation and as the continue pin to exit the HALT mode. There are two registers with each I/O port: a data register and a configuration register. Therefore, each I/O bit can be individually configured under software control as shown below.

Port G Config.	Port G Data	Port G Setup
0	0	Hi-Z Input (TRI-STATE)
0	1	Input With Weak Pull-Up
1	0	Push-Pull "0" Output
1	1	Push-Pull "1" Output

Three data memory address locations are allocated for these ports, one for data register, one for configuration register and one for the input pins. Since G6 and G7 are input only pins, any attempt by the user to set them up as outputs by writing a one to the configuration register will be disregarded. Reading the G6 and G7 configuration bits will return zeros. Note that the chip will be placed in the HALT mode by setting the G7 data bit.

Six bits of Port G have alternate features:

- G0 INTR (an external interrupt)
- G3 TIO (timer/counter input/output)
- G4 SO (MICROWIRE serial data output)
- G5 SK (MICROWIRE clock I/O)
- G6 SI (MICROWIRE serial data input)
- G7 CKO crystal oscillator output (selected by mask option) or HALT restart input (general purpose input)

Pins G1 and G2 currently do not have any alternate functions.

PORT D is a four bit output port that is set high when $\overline{\text{RESET}}$ goes low. Care must be exercised with the D2 pin operation. At RESET, the external load on this pin must ensure that the output voltage stays above $0.9 V_{CC}$ to prevent the device from entering special modes. Also, keep the external loading on the D2 pin to less than 1000 pf.

Functional Description

Figure 1 shows the block diagram of the internal architecture. Data paths are illustrated in simplified form to depict how the various logic elements communicate with each other in implementing the instruction set of the device.

ALU AND CPU REGISTERS

The ALU can do an 8-bit addition, subtraction, logical or shift operation in one cycle time.

There are five CPU registers:

A is the 8-bit Accumulator register

PU is the upper 7 bits of the program counter (PC)

PL is the lower 8 bits of the program counter (PC)

B is the 8-bit address register, can be auto incremented or decremented.

X is the 8-bit alternate address register, can be incremented or decremented.

SP is the 8-bit stack pointer, points to subroutine stack (in RAM).

B, X and SP registers are mapped into the on chip RAM. The B and X registers are used to address the on chip RAM. The SP register is used to address the stack in RAM during subroutine calls and returns.

PROGRAM MEMORY

Program memory for the COP820C family consists of 1024 bytes of ROM (2048 bytes of ROM for the COP840C family). These bytes may hold program instructions or constant data.

Functional Description (Continued)

The program memory is addressed by the 15-bit program counter (PC). ROM can be indirectly read by the LAID instruction for table lookup.

DATA MEMORY

The data memory address space includes on chip RAM, I/O and registers. Data memory is addressed directly by the instruction or indirectly by the B, X and SP registers.

The COP820C family has 64 bytes of RAM and the COP840C family has 128 bytes of RAM. Sixteen bytes of RAM are mapped as "registers" that can be loaded immediately, decremented or tested. Three specific registers: B, X and SP are mapped into this space, the other bytes are available for general usage.

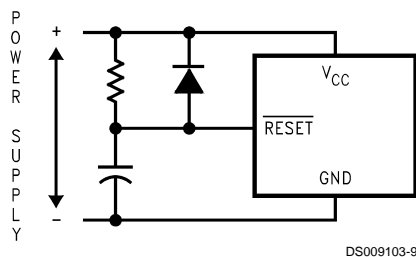
The instruction set permits any bit in memory to be set, reset or tested. All I/O and registers (except the A & PC) are memory mapped; therefore, I/O bits and register bits can be directly and individually set, reset and tested.

Note: RAM contents are undefined upon power-up.

RESET

The $\overline{\text{RESET}}$ input when pulled low initializes the microcontroller. Initialization will occur whenever the $\overline{\text{RESET}}$ input is pulled low. Upon initialization, the ports L and G are placed in the TRI-STATE mode and the Port D is set high. The PC, PSW and CNTRL registers are cleared. The data and configuration registers for Ports L & G are cleared.

The external RC network shown in *Figure 3* should be used to ensure that the $\overline{\text{RESET}}$ pin is held low until the power supply to the chip stabilizes.



$RC \geq 5X$ Power Supply Rise Time

FIGURE 3. Recommended Reset Circuit

TABLE 1. Crystal Oscillator Configuration, $T_A = 25^\circ\text{C}$

R1 (k Ω)	R2 (M Ω)	C1 (pF)	C2 (pF)	CKI Freq (MHz)	Conditions
0	1	30	30–36	10	$V_{CC} = 5V$
0	1	30	30–36	4	$V_{CC} = 5V$
0	1	200	100–150	0.455	$V_{CC} = 5V$

TABLE 2. RC Oscillator Configuration, $T_A = 25^\circ\text{C}$

R (k Ω)	C (pF)	CKI Freq (MHz)	Instr. Cycle (μs)	Conditions
3.3	82	2.2 to 2.7	3.7 to 4.6	$V_{CC} = 5V$
5.6	100	1.1 to 1.3	7.4 to 9.0	$V_{CC} = 5V$
6.8	100	0.9 to 1.1	8.8 to 10.8	$V_{CC} = 5V$

Note 19: $3k \leq R \leq 200k$, $50 \text{ pF} \leq C \leq 200 \text{ pF}$

OSCILLATOR CIRCUITS

Figure 4 shows the three clock oscillator configurations.

A. CRYSTAL OSCILLATOR

The device can be driven by a crystal clock. The crystal network is connected between the pins CKI and CKO.

Table 1 shows the component values required for various standard crystal values.

B. EXTERNAL OSCILLATOR

CKI can be driven by an external clock signal. CKO is available as a general purpose input and/or HALT restart control.

C. R/C OSCILLATOR

CKI is configured as a single pin RC controlled Schmitt trigger oscillator. CKO is available as a general purpose input and/or HALT restart control.

Table 2 shows the variation in the oscillator frequencies as functions of the component (R and C) values.

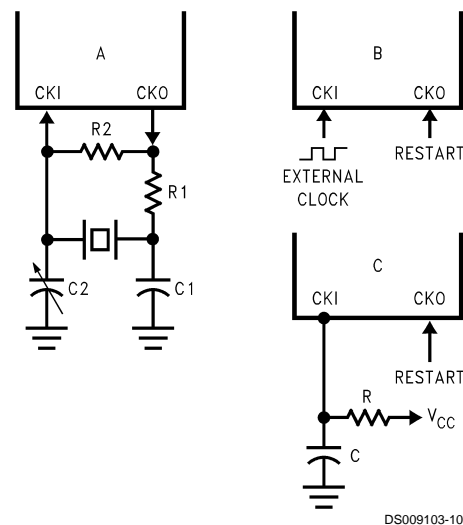


FIGURE 4. Crystal and R-C Connection Diagrams

OSCILLATOR MASK OPTIONS

The device can be driven by clock inputs between DC and 10 MHz.

Functional Description (Continued)

The device has three mask options for configuring the clock input. The CKI and CKO pins are automatically configured upon selecting a particular option.

- Crystal (CKI/10) CKO for crystal configuration
- External (CKI/10) CKO available as G7 input
- R/C (CKI/10) CKO available as G7 input

G7 can be used either as a general purpose input or as a control input to continue from the HALT mode.

HALT MODE

The device supports a power saving mode of operation: HALT. The controller is placed in the HALT mode by setting the G7 data bit, alternatively the user can stop the clock input. In the HALT mode all internal processor activities including the clock oscillator are stopped. The fully static architecture freezes the state of the controller and retains all information until continuing. In the HALT mode, power requirements are minimal as it draws only leakage currents and output current. The applied voltage (V_{CC}) may be decreased down to V_r (minimum RAM retention voltage) without altering the state of the machine.

There are two ways to exit the HALT mode: via the $\overline{\text{RESET}}$ or by the CKO pin. A low on the $\overline{\text{RESET}}$ line reinitializes the microcontroller and starts executing from the address 0000H. A low to high transition on the CKO pin (only if the external or the R/C clock option is selected) causes the microcontroller to continue with no reinitialization from the address following the HALT instruction. This also resets the G7 data bit.

INTERRUPTS

There are three interrupt sources, as shown below.

A maskable interrupt on external G0 input (positive or negative edge sensitive under software control)

A maskable interrupt on timer underflow or timer capture

A non-maskable software/error interrupt on opcode zero

INTERRUPT CONTROL

The GIE (global interrupt enable) bit enables the interrupt function. This is used in conjunction with ENI and ENTI to select one or both of the interrupt sources. This bit is reset when interrupt is acknowledged.

ENI and ENTI bits select external and timer interrupt respectively. Thus the user can select either or both sources to interrupt the microcontroller when GIE is enabled.

IEDG selects the external interrupt edge (0 = rising edge, 1 = falling edge). The user can get an interrupt on both rising and falling edges by toggling the state of IEDG bit after each interrupt.

IPND and TPND bits signal which interrupt is pending. After interrupt is acknowledged, the user can check these two bits to determine which interrupt is pending. This permits the interrupts to be prioritized under software. The pending flags have to be cleared by the user. Setting the GIE bit high inside the interrupt subroutine allows nested interrupts.

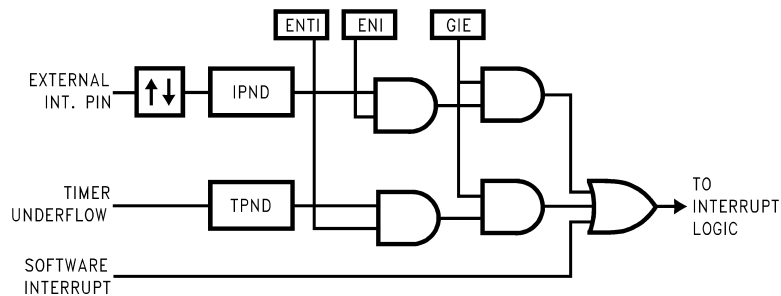
The software interrupt does not reset the GIE bit. This means that the controller can be interrupted by other interrupt sources while servicing the software interrupt.

INTERRUPT PROCESSING

The interrupt, once acknowledged, pushes the program counter (PC) onto the stack and the stack pointer (SP) is decremented twice. The Global Interrupt Enable (GIE) bit is reset to disable further interrupts. The microcontroller then vectors to the address 00FFH and resumes execution from that address. This process takes 7 cycles to complete. At the end of the interrupt subroutine, any of the following three instructions return the processor back to the main program: RET, RETSK or RETI. Either one of the three instructions will pop the stack into the program counter (PC). The stack pointer is then incremented twice. The RETI instruction additionally sets the GIE bit to re-enable further interrupts.

Any of the three instructions can be used to return from a hardware interrupt subroutine. The RETSK instruction should be used when returning from a software interrupt subroutine to avoid entering an infinite loop.

Note: There is always the possibility of an interrupt occurring during an instruction which is attempting to reset the GIE bit or any other interrupt enable bit. If this occurs when a single cycle instruction is being used to reset the interrupt enable bit, the interrupt enable bit will be reset but an interrupt may still occur. This is because interrupt processing is started at the same time as the interrupt bit is being reset. To avoid this scenario, the user should always use a two, three, or four cycle instruction to reset interrupt enable bits.



DS009103-11

FIGURE 5. Interrupt Block Diagram

Functional Description (Continued)

DETECTION OF ILLEGAL CONDITIONS

The device contains a hardware mechanism that allows it to detect illegal conditions which may occur from coding errors, noise and 'brown out' voltage drop situations. Specifically it detects cases of executing out of undefined ROM area and unbalanced stack situations.

Reading an undefined ROM location returns 00 (hexadecimal) as its contents. The opcode for a software interrupt is also '00'. Thus a program accessing undefined ROM will cause a software interrupt.

Reading an undefined RAM location returns an FF (hexadecimal). The subroutine stack grows down for each subroutine call. By initializing the stack pointer to the top of RAM, the first unbalanced return instruction will cause the stack pointer to address undefined RAM. As a result the program will attempt to execute from FFFF (hexadecimal), which is an undefined ROM location and will trigger a software interrupt.

MICROWIRE/PLUS™

MICROWIRE/PLUS is a serial synchronous bidirectional communications interface. The MICROWIRE/PLUS capability enables the device to interface with any of National Semiconductor's MICROWIRE peripherals (i.e. A/D converters, display drivers, EEPROMS, etc.) and with other microcontrollers which support the MICROWIRE/PLUS interface. It consists of an 8-bit serial shift register (SIO) with serial data input (SI), serial data output (SO) and serial shift clock (SK). Figure 6 shows the block diagram of the MICROWIRE/PLUS interface.

The shift clock can be selected from either an internal source or an external source. Operating the MICROWIRE/PLUS interface with the internal clock source is called the Master mode of operation. Similarly, operating the MICROWIRE/PLUS interface with an external shift clock is called the Slave mode of operation.

The CNTRL register is used to configure and control the MICROWIRE/PLUS mode. To use the MICROWIRE/PLUS, the MSEL bit in the CNTRL register is set to one. The SK clock rate is selected by the two bits, SL0 and SL1, in the CNTRL register. Table 3 details the different clock rates that may be selected.

TABLE 3.

SL1	SL0	SK Cycle Time
0	0	2t _C
0	1	4t _C
1	x	8t _C

where,

t_C is the instruction cycle clock.

MICROWIRE/PLUS OPERATION

Setting the BUSY bit in the PSW register causes the MICROWIRE/PLUS arrangement to start shifting the data. It gets reset when eight data bits have been shifted. The user may reset the BUSY bit by software to allow less than 8 bits to shift. The device may enter the MICROWIRE/PLUS mode either as a Master or as a Slave. Figure 7 shows how two microcontrollers and several peripherals may be interconnected using the MICROWIRE/PLUS arrangement.

Master MICROWIRE/PLUS Operation

In the MICROWIRE/PLUS Master mode of operation the shift clock (SK) is generated internally. The MICROWIRE/PLUS Master always initiates all data exchanges. (See Figure 7). The MSEL bit in the CNTRL register must be set to enable the SO and SK functions onto the G Port. The SO and SK pins must also be selected as outputs by setting appropriate bits in the Port G configuration register. Table 4 summarizes the bit settings required for Master mode of operation.

SLAVE MICROWIRE/PLUS OPERATION

In the MICROWIRE/PLUS Slave mode of operation the SK clock is generated by an external source. Setting the MSEL bit in the CNTRL register enables the SO and SK functions onto the G Port. The SK pin must be selected as an input and the SO pin is selected as an output pin by appropriately setting up the Port G configuration register. Table 4 summarizes the settings required to enter the Slave mode of operation.

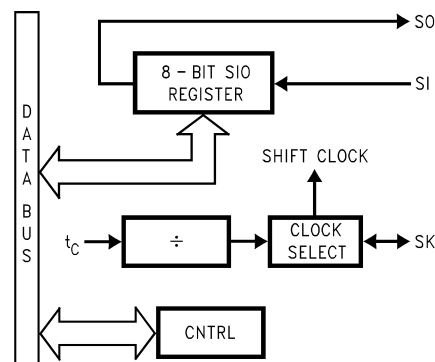
The user must set the BUSY flag immediately upon entering the Slave mode. This will ensure that all data bits sent by the Master will be shifted properly. After eight clock pulses the BUSY flag will be cleared and the sequence may be repeated. (See Figure 7.)

TABLE 4.

G4 Config. Bit	G5 Config. Bit	G4 Fun.	G5 Fun.	G6 Fun.	Operation
1	1	SO	Int. SK	SI	MICROWIRE Master
0	1	TRI-STATE	Int. SK	SI	MICROWIRE Master
1	0	SO	Ext. SK	SI	MICROWIRE Slave
0	0	TRI-STATE	Ext. SK	SI	MICROWIRE Slave

TIMER/COUNTER

The device has a powerful 16-bit timer with an associated 16-bit register enabling them to perform extensive timer functions. The timer T1 and its register R1 are each organized as two 8-bit read/write registers. Control bits in the register CNTRL allow the timer to be started and stopped under software control. The timer-register pair can be operated in one of three possible modes. Table 5 details various timer operating modes and their requisite control settings.



DS009103-12

FIGURE 6. MICROWIRE/PLUS Block Diagram

Functional Description (Continued)

MODE 1. TIMER WITH AUTO-LOAD REGISTER

In this mode of operation, the timer T1 counts down at the instruction cycle rate. Upon underflow the value in the register R1 gets automatically reloaded into the timer which continues to count down. The timer underflow can be programmed to interrupt the microcontroller. A bit in the control register CNTRL enables the TIO (G3) pin to toggle upon timer underflows. This allow the generation of square-wave outputs or pulse width modulated outputs under software control. (See Figure 8)

MODE 2. EXTERNAL COUNTER

In this mode, the timer T1 becomes a 16-bit external event counter. The counter counts down upon an edge on the TIO pin. Control bits in the register CNTRL program the counter

to decrement either on a positive edge or on a negative edge. Upon underflow the contents of the register R1 are automatically copied into the counter. The underflow can also be programmed to generate an interrupt. (See Figure 8)

MODE 3. TIMER WITH CAPTURE REGISTER

Timer T1 can be used to precisely measure external frequencies or events in this mode of operation. The timer T1 counts down at the instruction cycle rate. Upon the occurrence of a specified edge on the TIO pin the contents of the timer T1 are copied into the register R1. Bits in the control register CNTRL allow the trigger edge to be specified either as a positive edge or as a negative edge. In this mode the user can elect to be interrupted on the specified trigger edge. (See Figure 9.)

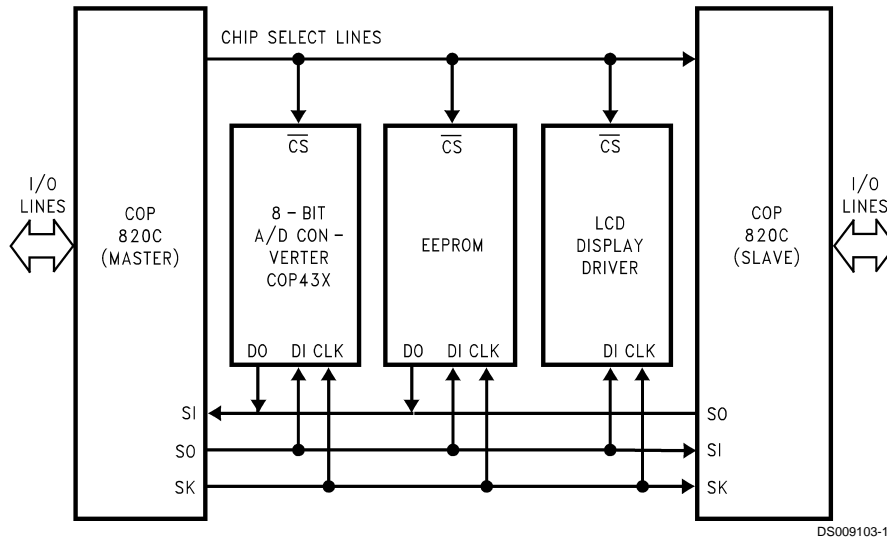


FIGURE 7. MICROWIRE/PLUS Application

TABLE 5. Timer Operating Modes

CNTRL Bits 7 6 5	Operation Mode	T Interrupt	Timer Counts On
0 0 0	External Counter W/Auto-Load Reg.	Timer Underflow	TIO Pos. Edge
0 0 1	External Counter W/Auto-Load Reg.	Timer Underflow	TIO Neg. Edge
0 1 0	Not Allowed	Not Allowed	Not Allowed
0 1 1	Not Allowed	Not Allowed	Not Allowed
1 0 0	Timer W/Auto-Load Reg.	Timer Underflow	t_c
1 0 1	Timer W/Auto-Load Reg./Toggle TIO Out	Timer Underflow	t_c
1 1 0	Timer W/Capture Register	TIO Pos. Edge	t_c
1 1 1	Timer W/Capture Register	TIO Neg. Edge	t_c

Functional Description (Continued)

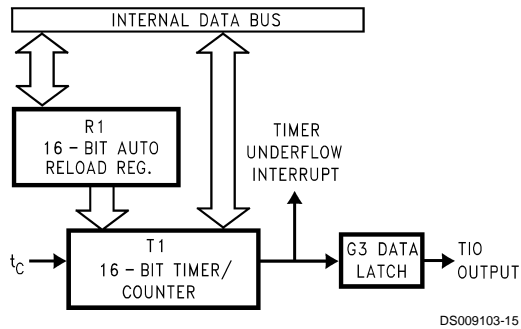


FIGURE 8. Timer/Counter Auto Reload Mode Block Diagram

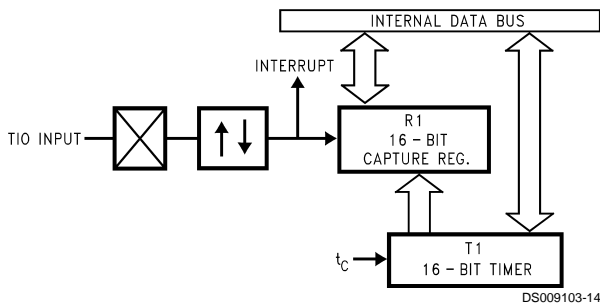


FIGURE 9. Timer Capture Mode Block Diagram

TIMER PWM APPLICATION

Figure 10 shows how a minimal component D/A converter can be built out of the Timer-Register pair in the Auto-Reload mode. The timer is placed in the "Timer with auto reload" mode and the TIO pin is selected as the timer output. At the outset the TIO pin is set high, the timer T1 holds the on time and the register R1 holds the signal off time. Setting TRUN bit starts the timer which counts down at the instruction cycle rate. The underflow toggles the TIO output and copies the off time into the timer, which continues to run. By alternately loading in the on time and the off time at each successive interrupt a PWM frequency can be easily generated.

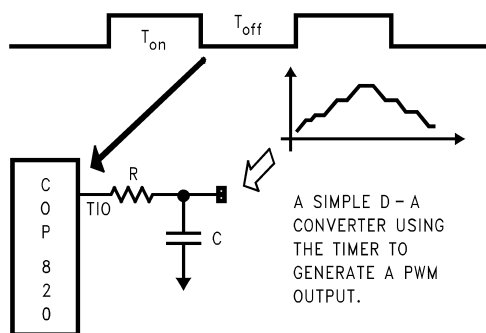


FIGURE 10. Timer Application

Control Registers

CNTRL REGISTER (ADDRESS X'00EE)

The Timer and MICROWIRE/PLUS control register contains the following bits:

- SL1 & SL0 Select the MICROWIRE/PLUS clock divide-by
- IEDG External interrupt edge polarity select
(0 = rising edge, 1 = falling edge)
- MSEL Enable MICROWIRE/PLUS functions SO and SK
- TRUN Start/Stop the Timer/Counter (1 = run, 0 = stop)
- TC3 Timer input edge polarity select (0 = rising edge, 1 = falling edge)
- TC2 Selects the capture mode
- TC1 Selects the timer mode

TC1	TC2	TC3	TRUN	MSEL	IEDG	SL1	SL0	
Bit 7							Bit 0	

PSW REGISTER (ADDRESS X'00EF)

The PSW register contains the following select bits:

- GIE Global interrupt enable
- ENI External interrupt enable
- BUSY MICROWIRE/PLUS busy shifting
- IPND External interrupt pending
- ENTI Timer interrupt enable
- TPND Timer interrupt pending
- C Carry Flag
- HC Half carry Flag

HC	C	TPND	ENTI	IPND	BUSY	ENI	GIE	
Bit 7							Bit 0	

Addressing Modes

REGISTER INDIRECT

This is the "normal" mode of addressing. The operand is the memory addressed by the B register or X register.

DIRECT

The instruction contains an 8-bit address field that directly points to the data memory for the operand.

IMMEDIATE

The instruction contains an 8-bit immediate field as the operand.

REGISTER INDIRECT (AUTO INCREMENT AND DECREMENT)

This is a register indirect mode that automatically increments or decrements the B or X register after executing the instruction.

RELATIVE

This mode is used for the JP instruction, the instruction field is added to the program counter to get the new program location. JP has a range of from -31 to +32 to allow a one byte relative jump (JP + 1 is implemented by a NOP instruction). There are no 'pages' when using JP, all 15 bits of PC are used.

Memory Map

All RAM, ports and registers (except A and PC) are mapped into data memory address space.

Address	Contents
COP820C Family	
00 to 2F	On Chip RAM Bytes
30 to 7F	Unused RAM Address Space (Reads as all Ones)
COP840C Family	
00 to 6F	On Chip RAM Bytes
70 to 7F	Unused RAM Address Space (Reads as all Ones)
COP820C and COP840C Families	
80 to BF	Expansion Space for on Chip EERAM
C0 to CF	Expansion Space for I/O and Registers
D0 to DF	On Chip I/O and Registers
D0	Port L Data Register
D1	Port L Configuration Register
D2	Port L Input Pins (Read Only)
D3	Reserved for Port L
D4	Port G Data Register
D5	Port G Configuration Register
D6	Port G Input Pins (Read Only)

Address	Contents
COP820C and COP840C Families	
D7	Port I Input Pins (Read Only)
D8–DB	Reserved for Port C
DC	Port D Data Register
DD–DF	Reserved for Port D
E0 to EF	On Chip Functions and Registers
E0–E7	Reserved for Future Parts
E8	Reserved
E9	MICROWIRE/PLUS Shift Register
EA	Timer Lower Byte
EB	Timer Upper Byte
EC	Timer Autoload Register Lower Byte
ED	Timer Autoload Register Upper Byte
EE	CNTRL Control Register
EF	PSW Register
F0 to FF	On Chip RAM Mapped as Registers
FC	X Register
FD	SP Register
FE	B Register

Reading unused memory locations below 7FH will return all ones. Reading other unused memory locations will return undefined data.

Instruction Set

REGISTER AND SYMBOL DEFINITIONS

Registers

A	8-bit Accumulator register
B	8-bit Address register
X	8-bit Address register
SP	8-bit Stack pointer register
PC	15-bit Program counter register
PU	upper 7 bits of PC
PL	lower 8 bits of PC
C	1-bit of PSW register for carry
HC	Half Carry
GIE	1-bit of PSW register for global interrupt enable

Instruction Set

ADD	add	$A \leftarrow A + \text{MemI}$
ADC	add with carry	$A \leftarrow A + \text{MemI} + C, C \leftarrow \text{Carry}$
		$HC \leftarrow \text{Half Carry}$
SUBC	subtract with carry	$A \leftarrow A + \overline{\text{MemI}} + C, C \leftarrow \text{Carry}$
		$HC \leftarrow \text{Half Carry}$
AND	Logical AND	$A \leftarrow A \text{ and MemI}$
OR	Logical OR	$A \leftarrow A \text{ or MemI}$
XOR	Logical Exclusive-OR	$A \leftarrow A \text{ xor MemI}$
IFEQ	IF equal	Compare A and MemI, Do next if $A = \text{MemI}$
IFGT	IF greater than	Compare A and MemI, Do next if $A > \text{MemI}$
IFBNE	IF B not equal	Do next if lower 4 bits of $B \neq \text{Imm}$
DRSZ	Decrement Reg. ,skip if zero	$\text{Reg} \leftarrow \text{Reg} - 1, \text{ skip if Reg goes to } 0$

Symbols

[B]	Memory indirectly addressed by B register
[X]	Memory indirectly addressed by X register
Mem	Direct address memory or [B]
MemI	Direct address memory or [B] or Immediate data
Imm	8-bit Immediate data
Reg	Register memory: addresses F0 to FF (Includes B, X and SP)
Bit	Bit number (0 to 7)
←	Loaded with
↔	Exchanged with

Instruction Set (Continued)**Instruction Set** (Continued)

SBIT	Set bit	1 to bit, Mem (bit= 0 to 7 immediate)
RBIT	Reset bit	0 to bit, Mem
IFBIT	If bit	If bit, Mem is true, do next instr.
X LD A LD mem LD Reg	Exchange A with memory Load A with memory Load Direct memory Immed. Load Register memory Immed.	$A \leftrightarrow \text{Mem}$ $A \leftarrow \text{MemI}$ $\text{Mem} \leftarrow \text{Imm}$ $\text{Reg} \leftarrow \text{Imm}$
X X LD A LD A LD M	Exchange A with memory [B] Exchange A with memory [X] Load A with memory [B] Load A with memory [X] Load Memory Immediate	$A \leftrightarrow [B]$ ($B \leftarrow B \pm 1$) $A \leftrightarrow [X]$ ($X \leftarrow X \pm 1$) $A \leftarrow [B]$ ($B \leftarrow B \pm 1$) $A \leftarrow [X]$ ($X \leftarrow X \pm 1$) $[B] \leftarrow \text{Imm}$ ($B \leftarrow B \pm 1$)
CLRA INCA DECA LAID DCORA RRCA SWAPA SC RC IFC IFNC	Clear A Increment A Decrement A Load A indirect from ROM DECIMAL CORRECT A ROTATE A RIGHT THRU C Swap nibbles of A Set C Reset C If C If not C	$A \leftarrow 0$ $A \leftarrow A + 1$ $A \leftarrow A - 1$ $A \leftarrow \text{ROM}(\text{PU}, A)$ $A \leftarrow \text{BCD correction (follows ADC, SUBC)}$ $C \rightarrow A7 \rightarrow \dots \rightarrow A0 \rightarrow C$ $A7 \dots A4 \leftrightarrow A3 \dots A0$ $C \leftarrow 1, \text{HC} \leftarrow 1$ $C \leftarrow 0, \text{HC} \leftarrow 0$ If C is true, do next instruction If C is not true, do next instruction
JMPL JMP JP JSRL JSR JID RET RETSK RETI INTR NOP	Jump absolute long Jump absolute Jump relative short Jump subroutine long Jump subroutine Jump indirect Return from subroutine Return and Skip Return from Interrupt Generate an interrupt No operation	$\text{PC} \leftarrow \text{ii}$ (ii = 15 bits, 0 to 32k) $\text{PC}11..0 \leftarrow \text{i}$ (i = 12 bits) $\text{PC} \leftarrow \text{PC} + \text{r}$ (r is -31 to +32, not 1) $[\text{SP}] \leftarrow \text{PL}, [\text{SP}-1] \leftarrow \text{PU}, \text{SP}-2, \text{PC} \leftarrow \text{ii}$ $[\text{SP}] \leftarrow \text{PL}, [\text{SP}-1] \leftarrow \text{PU}, \text{SP}-2, \text{PC}11..0 \leftarrow \text{i}$ $\text{PL} \leftarrow \text{ROM}(\text{PU}, A)$ $\text{SP}+2, \text{PL} \leftarrow [\text{SP}], \text{PU} \leftarrow [\text{SP}-1]$ $\text{SP}+2, \text{PL} \leftarrow [\text{SP}], \text{PU} \leftarrow [\text{SP}-1], \text{Skip next instruction}$ $\text{SP}+2, \text{PL} \leftarrow [\text{SP}], \text{PU} \leftarrow [\text{SP}-1], \text{GIE} \leftarrow 1$ $[\text{SP}] \leftarrow \text{PL}, [\text{SP}-1] \leftarrow \text{PU}, \text{SP}-2, \text{PC} \leftarrow \text{OFF}$ $\text{PC} \leftarrow \text{PC} + 1$

Instruction Set (Continued)

Opcode List

Bits 7-4											Bits 3-0						
F	E	D	C	B	A	9	8	7	6	5	4	3	2	1	0		
JP-15	JP-31	LD 0F0, #i	DRSZ 0F0	RRCA	RC	ADC A, #i	ADC A, [B]	IFBIT 0, [B]	*	LD B, 0F	IFBNE 0	JSR 0000-00FF	JMP 0000-00FF	JP+17	INTR 0		
JP-14	JP-30	LD 0F1, #i	DRSZ 0F1	*	SC	SUBC A, #i	SUBC A, [B]	IFBIT 1, [B]	*	LD B, 0E	IFBNE 1	JSR 0100-01FF	JMP 0100-01FF	JP+18	JP+2 1		
JP-13	JP-29	LD 0F2, #i	DRSZ 0F2	X	X	IFEQ A, #i	IFEQ A, [B]	IFBIT 2, [B]	*	LD B, 0D	IFBNE 2	JSR 0200-02FF	JMP 0200-02FF	JP+19	JP+3 2		
JP-12	JP-28	LD 0F3, #i	DRSZ 0F3	X	X	IFGT A, #i	IFGT A, [B]	IFBIT 3, [B]	*	LD B, 0C	IFBNE 3	JSR 0300-03FF	JMP 0300-03FF	JP+20	JP+4 3		
JP-11	JP-27	LD 0F4, #i	DRSZ 0F4	*	LAID	ADD A, #i	ADD A, [B]	IFBIT 4, [B]	CLRA	LD B, 0B	IFBNE 4	JSR 0400-04FF	JMP 0400-04FF	JP+21	JP+5 4		
JP-10	JP-26	LD 0F5, #i	DRSZ 0F5	*	JID	AND A, #i	AND A, [B]	IFBIT 5, [B]	SWAPA	LD B, 0A	IFBNE 5	JSR 0500-05FF	JMP 0500-05FF	JP+22	JP+6 5		
JP-9	JP-25	LD 0F6, #i	DRSZ 0F6	X	X	XOR A, #i	XOR A, [B]	IFBIT 6, [B]	DCORA	LD B, 9	IFBNE 6	JSR 0600-06FF	JMP 0600-06FF	JP+23	JP+7 6		
JP-8	JP-24	LD 0F7, #i	DRSZ 0F7	*	*	OR A, #i	OR A, [B]	IFBIT 7, [B]	*	LD B, 8	IFBNE 7	JSR 0700-07FF	JMP 0700-07FF	JP+24	JP+8 7		
JP-7	JP-23	LD 0F8, #i	DRSZ 0F8	NOP	*	LD A, #i	IFC	SBIT 0, [B]	RBIT 0, [B]	LD B, 7	IFBNE 8	JSR 0800-08FF	JMP 0800-08FF	JP+25	JP+9 8		
JP-6	JP-22	LD 0F9, #i	DRSZ 0F9	*	*	*	IFNC	SBIT 1, [B]	RBIT 1, [B]	LD B, 6	IFBNE 9	JSR 0900-09FF	JMP 0900-09FF	JP+26	JP+10 9		
JP-5	JP-21	LD 0FA, #i	DRSZ 0FA	LD	LD	LD [B+], #i	INCA	SBIT 2, [B]	RBIT 2, [B]	LD B, 5	IFBNE 0A	JSR 0A00-0AFF	JMP 0A00-0AFF	JP+27	JP+11 A		
JP-4	JP-20	LD 0FB, #i	DRSZ 0FB	LD	LD	LD [B-], #i	DECA	SBIT 3, [B]	RBIT 3, [B]	LD B, 4	IFBNE 0B	JSR 0B00-0BFF	JMP 0B00-0BFF	JP+28	JP+12 B		
JP-3	JP-19	LD 0FC, #i	DRSZ 0FC	LD	JMPL	X A, Md	*	SBIT 4, [B]	RBIT 4, [B]	LD B, 3	IFBNE 0C	JSR 0C00-0CFF	JMP 0C00-0CFF	JP+29	JP+13 C		
JP-2	JP-18	LD 0FD, #i	DRSZ 0FD	DIR	JSRL	LD A, Md	RETSK	SBIT 5, [B]	RBIT 5, [B]	LD B, 2	IFBNE 0D	JSR 0D00-0DFF	JMP 0D00-0DFF	JP+30	JP+14 D		
JP-1	JP-17	LD 0FE, #i	DRSZ 0FE	LD	LD	LD [B], #i	RET	SBIT 6, [B]	RBIT 6, [B]	LD B, 1	IFBNE 0E	JSR 0E00-0EFF	JMP 0E00-0EFF	JP+31	JP+15 E		
JP-0	JP-16	LD 0FF, #i	DRSZ 0FF	*	*	*	RETI	SBIT 7, [B]	RBIT 7, [B]	LD B, 0	IFBNE 0F	JSR 0F00-0FFF	JMP 0F00-0FFF	JP+32	JP+16 F		

Where, i is the immediate data

Md is a directly addressed memory location

* is an unused opcode (see following table)

Instruction Execution Time

Most instructions are single byte (with immediate addressing mode instruction taking two bytes).

Most single instructions take one cycle time to execute.

Skipped instructions require x number of cycles to be skipped, where x equals the number of bytes in the skipped instruction opcode.

See the BYTES and CYCLES per INSTRUCTION table for details.

Bytes and Cycles per Instruction

The following table shows the number of bytes and cycles for each instruction in the format of byte/cycle.

Arithmetic and Logic Instructions

	[B]	Direct	Immed.
ADD	1/1	3/4	2/2
ADC	1/1	3/4	2/2
SUBC	1/1	3/4	2/2
AND	1/1	3/4	2/2
OR	1/1	3/4	2/2
XOR	1/1	3/4	2/2
IFEQ	1/1	3/4	2/2

	[B]	Direct	Immed.
IFGT	1/1	3/4	2/2
IFBNE	1/1		
DRSZ		1/3	
SBIT	1/1	3/4	
RBIT	1/1	3/4	
IFBIT	1/1	3/4	

The following table shows the instructions assigned to unused opcodes. This table is for information only. The operations performed are subject to change without notice. Do not use these opcodes.

Unused Opcode	Instruction	Unused Opcode	Instruction
60	NOP	A9	NOP
61	NOP	AF	LD A, [B]
62	NOP	B1	C → HC
63	NOP	B4	NOP
67	NOP	B5	NOP
8C	RET	B7	X A, [X]
99	NOP	B9	NOP
9F	LD [B], #i	BF	LD A, [X]
A7	X A, [B]		
A8	NOP		

Memory Transfer Instructions

	Register Indirect		Direct	Immed.	Register Indirect Auto Incr & Decr		
	[B]	[X]			[B+, B-]	[X+, X-]	
X A,*	1/1	1/3	2/3		1/2	1/3	
LD A,*	1/1	1/3	2/3	2/2	1/2	1/3	
LD B,Imm				1/1			(If B < 16)
LD B,Imm				2/3			(If B > 15)
LD Mem,Imm		2/2	3/3		2/2		
LD Reg,Imm				2/3			

Note 20: * = > Memory location addressed by B or X or directly.

Instructions Using A & C

CLRA	1/1
INCA	1/1
DECA	1/1
LAID	1/3
DCORA	1/1
RRCA	1/1
SWAPA	1/1
SC	1/1
RC	1/1
IFC	1/1
IFNC	1/1

Transfer of Control Instructions

JMPL	3/4
JMP	2/3
JP	1/3
JSRL	3/5
JSR	2/5
JID	1/3
RET	1/5
RETSK	1/5
RETI	1/5
INTR	1/7
NOP	1/1

Option List

The mask programmable options are listed out below. The options are programmed at the same time as the ROM pattern to provide the user with hardware flexibility to use a variety of oscillator configuration.

OPTION 1: CKI INPUT

- = 1 Crystal (CKI/10) CKO for crystal configuration
- = 2 External (CKI/10) CKO available as G7 input
- = 3 R/C (CKI/10) CKO available as G7 input

OPTION 2: BONDING

- = 1 28-pin DIP package
- = 2 N.A.
- = 3 20-pin DIP package
- = 4 20-SO package
- = 5 28-SO package

The following option information is to be sent to National along with the EPROM.

Option Data

Option 1 Value__is: CKI Input

Option 2 Value__is: COP Bonding

COP8 Tools Overview

National is engaged with an international community of independent 3rd party vendors who provide hardware and software development tool support. Through National's interaction and guidance, these tools cooperate to form a choice of tools that fits each developer's needs.

This section provides a summary of the tool and development kits currently available. Up-to-date information, selection guides, free tools, demos, updates, and purchase information can be obtained at our web site at: www.national.com/cop8.

SUMMARY OF TOOLS

COP8 Evaluation Software and Reference Designs

- **COP8-NSEVAL:** Software Evaluation package for Windows. A fully integrated evaluation environment for COP8. Includes WCOP8 IDE evaluation version (Integrated Development Environment), COP8-NSASM (Full COP8 Assembler), COP8-MLSIM (COP8 Instruction Level Simulator), COP8C Compiler Demo, DriveWay™ COP8 Device-Driver-Builder Demo, Manuals, Applications Software, and other COP8 technical information.
- **COP8-REF-xx:** Reference Designs for COP8 Families. Realtime hardware environment with a variety of functions for demonstrating the various capabilities and features of specific COP8 device families. Run Win 95 demo reference software and exercise specific device capabilities.

Includes PCB with pre-programmed COP8, 9v battery for stand-alone operation, assembly listing, full applications source code, BOM, and schematics.

(Add COP8-NSEVAL and an OTP programmer to implement your own software ideas in Assembly Code.)

COP8 Starter Kits and Hardware Target Solutions

- **COP8-EVAL-xxx:** A variety of Multifunction Evaluation, Design Test, and Target Boards for COP8 Families. Real-time target design environments with a selection of peripherals and features including multi I/O, LCD display, keyboard, A/D, D/A, EEPROM, USART, LEDs, and bread-board area. Quickly design, test, and implement a custom target system (some target boards are stand-alone, and ready for mounting into a standard enclosure), or just evaluate and test your code. Includes COP8-NSDEV with IDE and Assembler, software routines, reference designs, and source code (no p/s).

COP8 Software Development Languages and Integrated Environments

- **COP8-NSDEV:** National's COP8 Software Development package for Windows on CD. A fully Integrated Development Environment for COP8. Includes a fully licensed WCOP8 IDE, COP8-NSASM. Plus Manuals, Applications Software, and other COP8 technical information.
- **COP8C:** ByteCraft - C Cross-Compiler and Code Development System. Includes BCLIDE (Integrated Development Environment) for Win32, editor, optimizing C Cross-Compiler, macro cross assembler, BC-Linker, and MetaLinktools support. (DOS/SUN versions available; Compiler is linkable under WCOP8 IDE; Compatible with DriveWay COP8)
- **EWCOP8, EWCOP8-M, EWCOP8-BL:** IAR - ANSI C-Compiler and Embedded Workbench. (M version includes MetaLink debugger support) (BL version: 4k code limit; no FP). A fully integrated Win32 IDE, ANSI C-Compiler, macro assembler, editor, linker, librarian, and C-Spy high-level simulator/debugger.

COP8 Development Productivity Tools

- **DriveWay-COP8:** Aisys Corporation - COP8 Peripherals Code Generation tool. Automatically generates tested and documented C or Assembly source code modules containing I/O drivers and interrupt handlers for each on-chip peripheral. Application specific code can be inserted for customization using the integrated editor. (Compatible with COP8-NSASM, COP8C, and WCOP8 IDE.)
- **COP8-UTILS:** COP8 assembly code examples, device drivers, and utilities to speed up code development. (Included with COP8-NSDEV and COP8-NSEVAL.)
- **WCOP8 IDE:** KKD - COP8 IDE (Integrated Development Environment). Supports COP8C, COP8-NSASM, COP8-MLSIM, DriveWay COP8, and MetaLink debugger under a common Windows Project Management environment. Code development, debug, and emulation tools can be launched from a single project window framework. (Included in COP8-NSDEV and COP8-NSEVAL.)

COP8 Hardware Debug Tools

- **COP8xx-DM:** Metalink COP8 Debug Module for non-flash COP8 Families. Windows based development and real-time in-circuit emulation tool, with 100 frame trace, 32k s/w breaks, Enhanced User Interface, MetaLinkDebugger, and COP8 OTP Programmer with sockets. Includes COP8-NSDEV, power supply, DIP and/or SMD emulation cables and adapters.

COP8 Tools Overview (Continued)

- **IM-COP8:** MetaLink iceMASTER® for non-flash COP8 devices. Windows based, full featured real-time in-circuit emulator, with 4k trace, 32k s/w breaks, and MetaLink-Windows Debugger. Includes COP8-NSDEV and power supply. Package-specific probes and surface mount adaptors are ordered separately. (Add COP8-PM and adapters for OTP programming.)

COP8 Development and OTP Programming Tools

- **COP8-PM:** COP8 Development Programming Module. Windows programming tool for COP8 OTP Families. Includes 40 DIP programming socket, control software, RS232 cable, and power supply. (SMD and 87Lxx programming adapters are extra.)

WHERE TO GET TOOLS

Tools are ordered directly from the following vendors. Please go to the vendor's web site for current listings of distributors.

Vendor	Home Office	Electronic Sites	Other Main Offices
Aisys	U.S.A.: Santa Clara, CA 1-408-327-8820 fax: 1-408-327-8830	www.aisysinc.com info@aisysinc.com	Distributors
Byte Craft	U.S.A. 1-519-888-6911 fax: 1-519-746-6751	www.bytecraft.com info@bytecraft.com	Distributors
IAR	Sweden: Uppsala +46 18 16 78 00 fax: +46 18 16 78 38	www.iar.se info@iar.se info@iar.com info@iarsys.co.uk info@iar.de	U.S.A.: San Francisco 1-415-765-5500 fax: 1-415-765-5503 U.K.: London +44 171 924 33 34 fax: +44 171 924 53 41 Germany: Munich +49 89 470 6022 fax: +49 89 470 956
ICU	Sweden: Polygonvaegen +46 8 630 11 20 fax: +46 8 630 11 70	www.icu.se support@icu.se support@icu.ch	Switzerland: Hoehe +41 34 497 28 20 fax: +41 34 497 28 21
KKD	Denmark:	www.kkd.dk	
MetaLink	U.S.A.: Chandler, AZ 1-800-638-2423 fax: 1-602-926-1198	www.metaice.com sales@metaice.com support@metaice.com bbs: 1-602-962-0013 www.metalink.de	Germany: Kirchseeon 80-91-5696-0 fax: 80-91-2386 islanger@metalink.de Distributors Worldwide
National	U.S.A.: Santa Clara, CA 1-800-272-9959 fax: 1-800-737-7018	www.national.com/cop8 support@nsc.com europe.support@nsc.com	Europe: +49 (0) 180 530 8585 fax: +49 (0) 180 530 8586 Distributors Worldwide

The following companies have approved COP8 programmers in a variety of configurations. Contact your local office or distributor. You can link to their web sites and get the latest listing of approved programmers from National's COP8 OTP Support page at: www.national.com/cop8.

Advantech; Dataman; EE Tools; Minato; BP Microsystems; Data I/O; Hi-Lo Systems; ICE Technology; Lloyd Research;

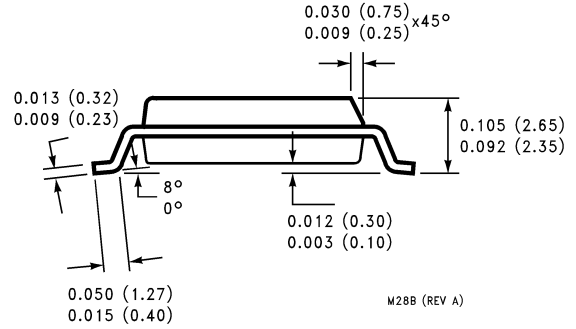
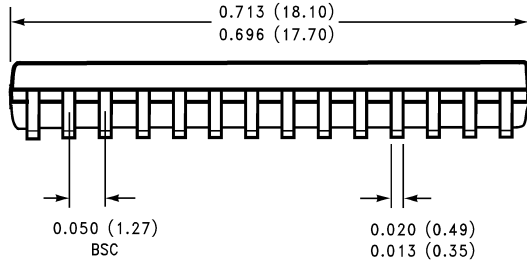
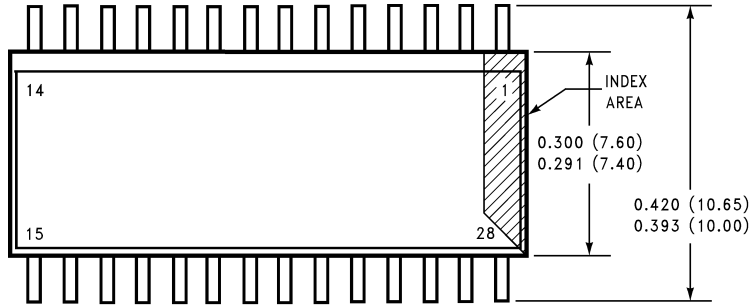
- **Development:** Metalink's Debug Module includes development device programming capability for COP8 devices. Many other third-party programmers are approved for development and engineering use.
- **Production:** Third-party programmers and automatic handling equipment cover needs from engineering prototype and pilot production, to full production environments.
- **Factory Programming:** Factory programming available for high-volume requirements.

Logical Devices; MQP; Needhams; Phytion; SMS; Stag Programmers; System General; Tribal Microsystems; Xeltek.

CUSTOMER SUPPORT

Complete product information and technical support is available from National's customer response centers, and from our on-line COP8 customer support sites.

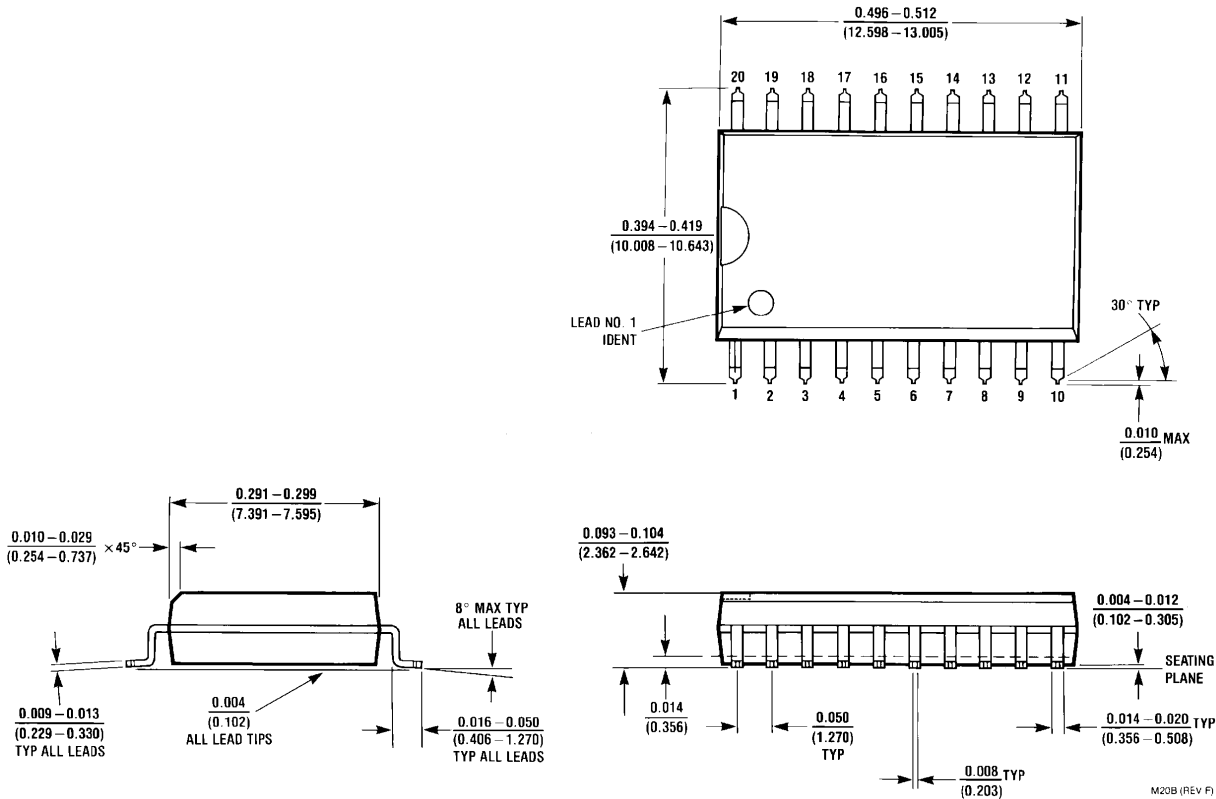
Physical Dimensions inches (millimeters) unless otherwise noted



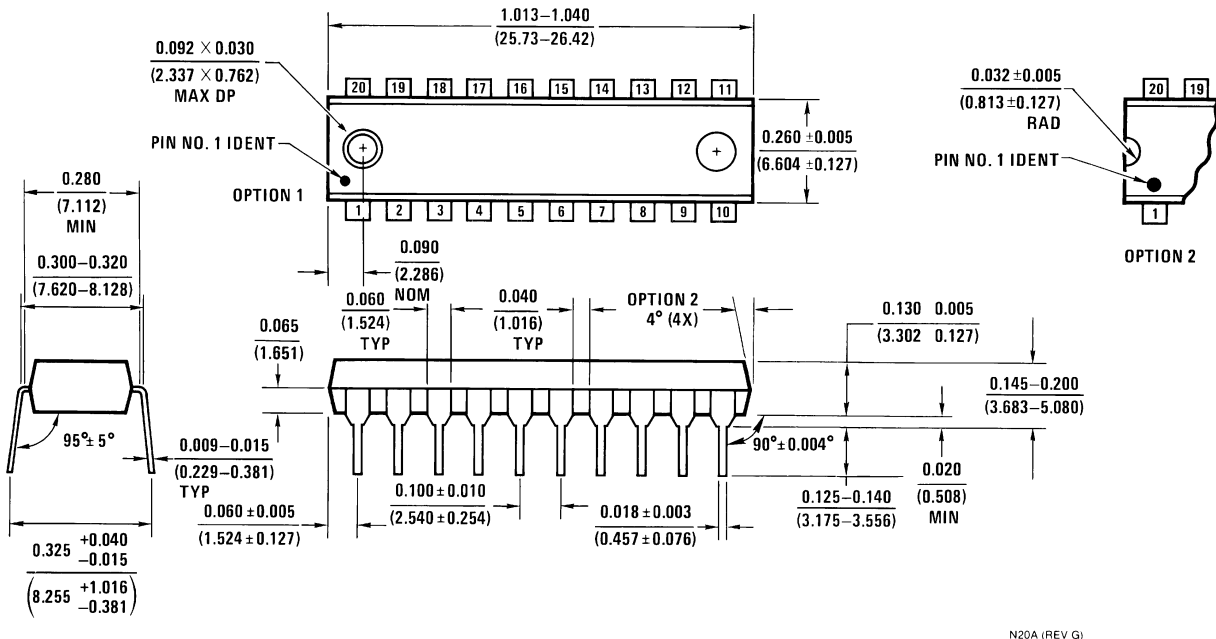
M28B (REV A)

28-Lead Surface Mount Package (M)
Order Number COP820C-XXX/WM, COP840C-XXX/WM, COP920C-XXX/WM,
COP940C-XXX/WM, COP920CH-XXX/WM or COP940CH-XXX/WM
NS Package Number M28B

Physical Dimensions inches (millimeters) unless otherwise noted (Continued)

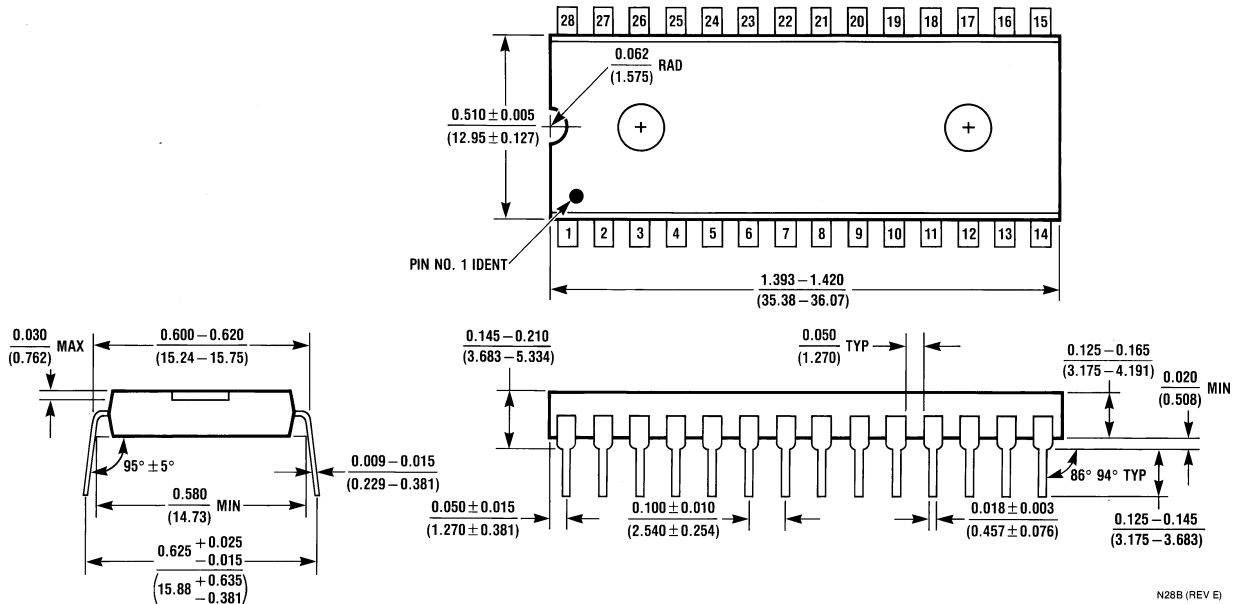


20-Lead Surface Mount Package (M)
 Order Number COP822C-XXX/WM, COP842C-XXX/WM, COP922C-XXX/WM,
 COP942C-XXX/WM, COP922CH-XXX/WM or COP942CH-XXX/WM
 NS Package Number M20B



20-Lead Molded Dual-in-Line Package (N)
 Order Number COP622C-XXX/N, COP642C-XXX/N, COP822C-XXX/N, COP842C-XXX/N,
 COP922C-XXX/N, COP942C-XXX/N, COP922CH-XXX/N or COP942CH-XXX/N
 NS Package Number N20A

Physical Dimensions inches (millimeters) unless otherwise noted (Continued)



28-Lead Molded Dual-in-Line Package (N)
Order Number COP620C-XXX/N, COP640C-XXX/N, COP820C-XXX/N, COP840C-XXX/N,
COP920C-XXX/N, COP940C-XXX/N, COP920CH-XXX/N or COP940CH-XXX/N
NS Package Number N28B

N28B (REV E)

LIFE SUPPORT POLICY

NATIONAL'S PRODUCTS ARE NOT AUTHORIZED FOR USE AS CRITICAL COMPONENTS IN LIFE SUPPORT DEVICES OR SYSTEMS WITHOUT THE EXPRESS WRITTEN APPROVAL OF THE PRESIDENT AND GENERAL COUNSEL OF NATIONAL SEMICONDUCTOR CORPORATION. As used herein:

1. Life support devices or systems are devices or systems which, (a) are intended for surgical implant into the body, or (b) support or sustain life, and whose failure to perform when properly used in accordance with instructions for use provided in the labeling, can be reasonably expected to result in a significant injury to the user.
2. A critical component is any component of a life support device or system whose failure to perform can be reasonably expected to cause the failure of the life support device or system, or to affect its safety or effectiveness.



National Semiconductor Corporation
 Americas
 Tel: 1-800-272-9959
 Fax: 1-800-737-7018
 Email: support@nsc.com
 www.national.com

National Semiconductor Europe
 Fax: +49 (0) 180-530 85 86
 Email: europe.support@nsc.com
 Deutsch Tel: +49 (0) 69 9508 6208
 English Tel: +44 (0) 870 24 0 2171
 Français Tel: +33 (0) 1 41 91 87 90

National Semiconductor Asia Pacific Customer Response Group
 Tel: 65-2544466
 Fax: 65-2504466
 Email: ap.support@nsc.com

National Semiconductor Japan Ltd.
 Tel: 81-3-5639-7560
 Email: nsj.crc@jksmtp.nsc.com
 Fax: 81-3-5639-7507